

United States Patent [19]

Tanaka

[11] Patent Number: **Des. 279,223**

[45] Date of Patent: **** Jun. 11, 1985**

[54] **PORTABLE VEHICLE LIGHT**

[75] Inventor: **Yoshihisa Tanaka, Ichikawa, Japan**

[73] Assignee: **Tanaka Manufacturing Co., Ltd.,
Tokyo, Japan**

[**] Term: **14 Years**

[21] Appl. No.: **458,860**

[22] Filed: **Jan. 17, 1983**

[52] U.S. Cl. **D26/60; D26/46;
D26/61**

[58] Field of Search **D26/37, 50, 60-63;
362/157, 158, 183, 184, 186-192, 194-208, 397**

[56] **References Cited**

U.S. PATENT DOCUMENTS

D. 201,296 6/1965 Kahn D26/60
1,933,965 11/1933 Carlson 362/397 X

2,075,364 3/1937 Smith 362/397 X
2,905,925 9/1959 Whitneck 362/397 X

FOREIGN PATENT DOCUMENTS

144302 1/1936 Austria 362/191
681221 10/1952 United Kingdom 362/397

Primary Examiner—Susan J. Lucas

[57] **CLAIM**

The ornamental design for portable vehicle light, as shown.

DESCRIPTION

FIG. 1 is a perspective view looking from the left-side view of the portable vehicle light;
FIG. 2 is a front view thereof;
FIG. 3 is a plan view thereof;
FIG. 4 is a bottom view thereof;
FIG. 5 is a left-side view thereof;
FIG. 6 is a right-side view thereof.

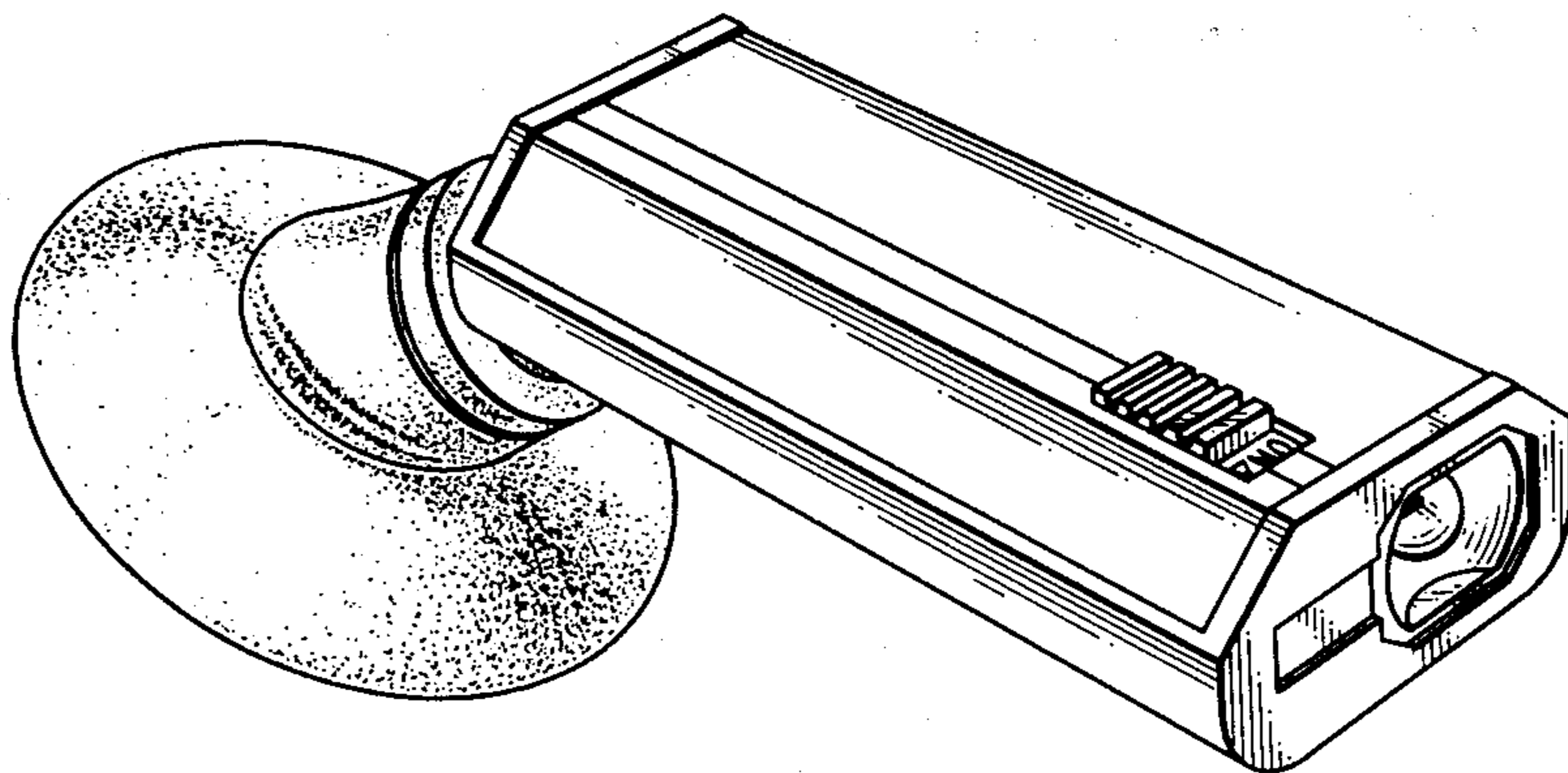


Fig. 1

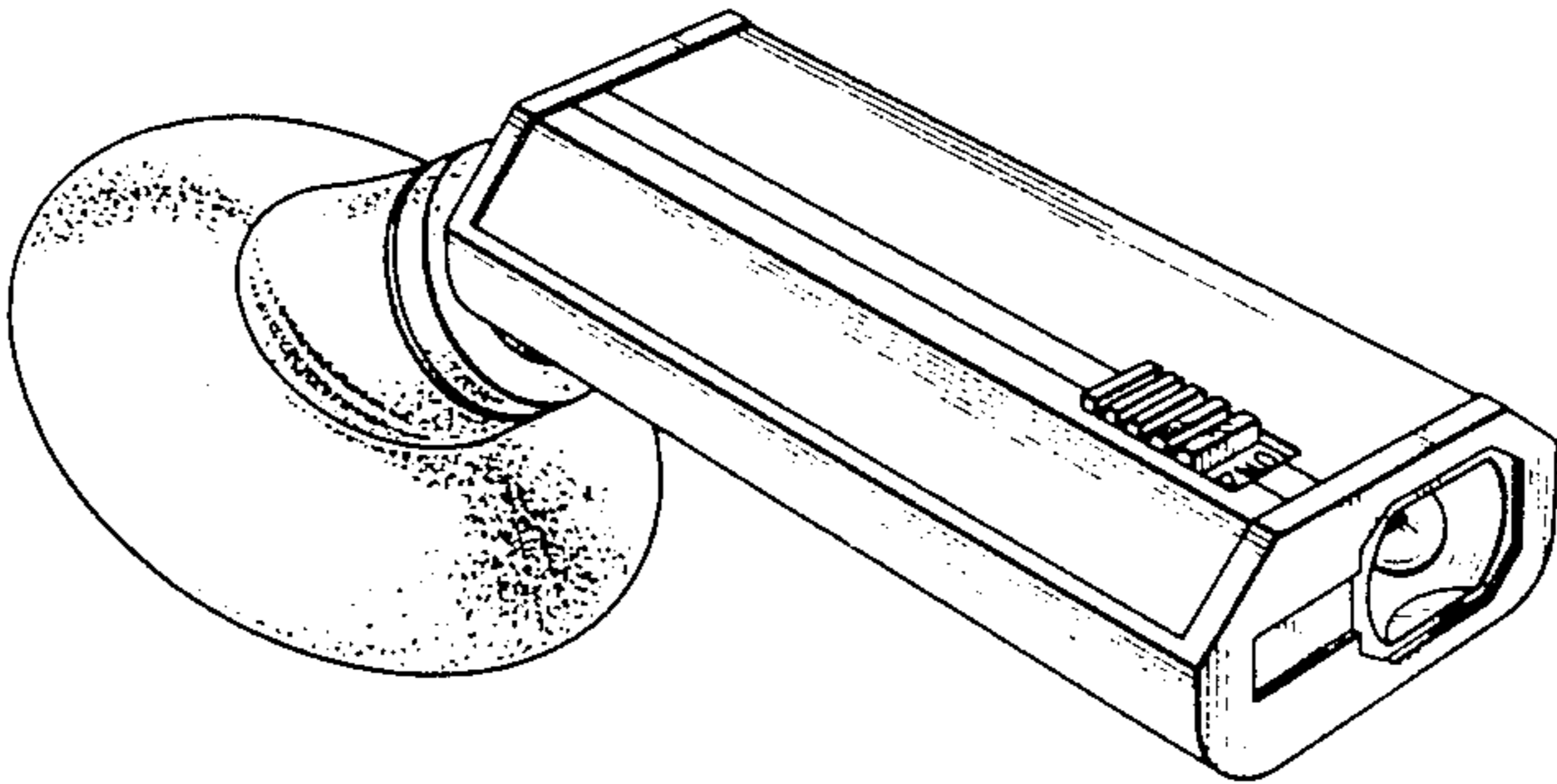


Fig. 2

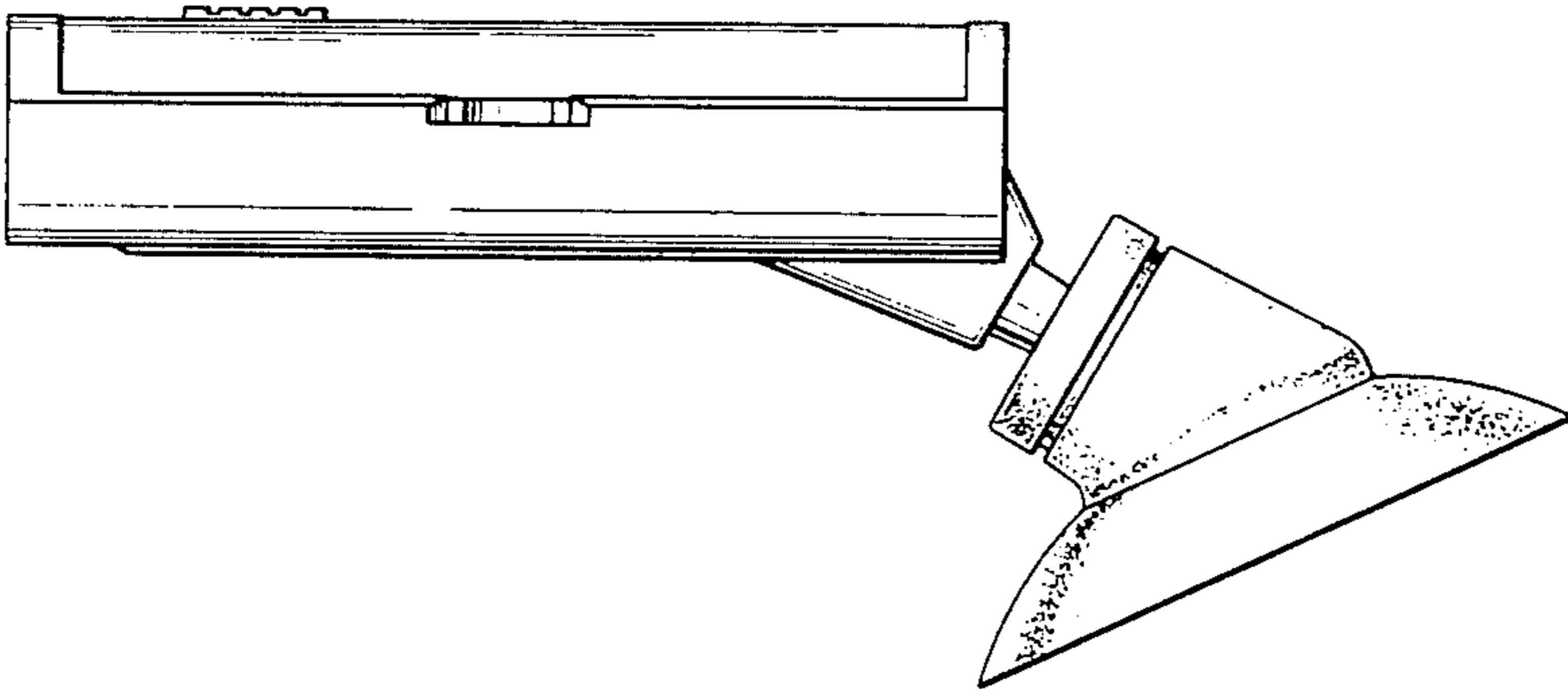


Fig. 3

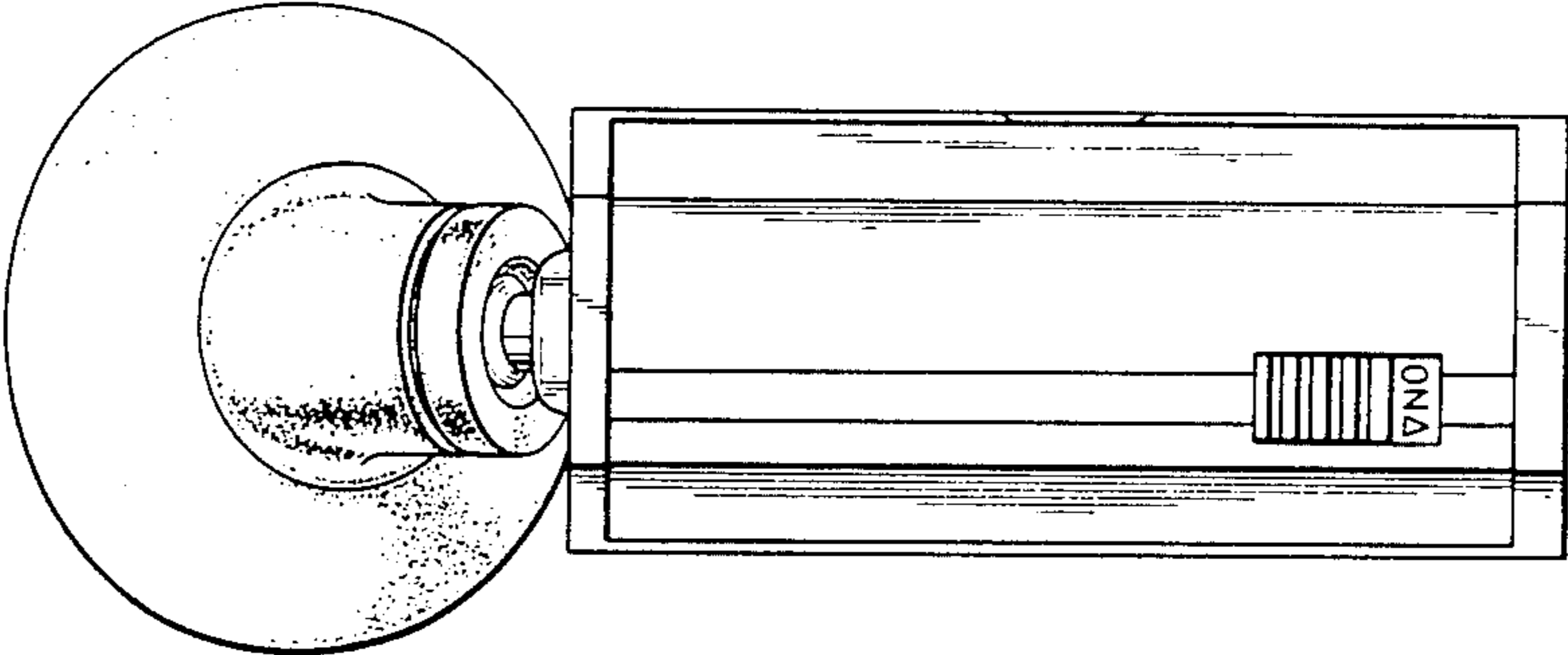


Fig. 4

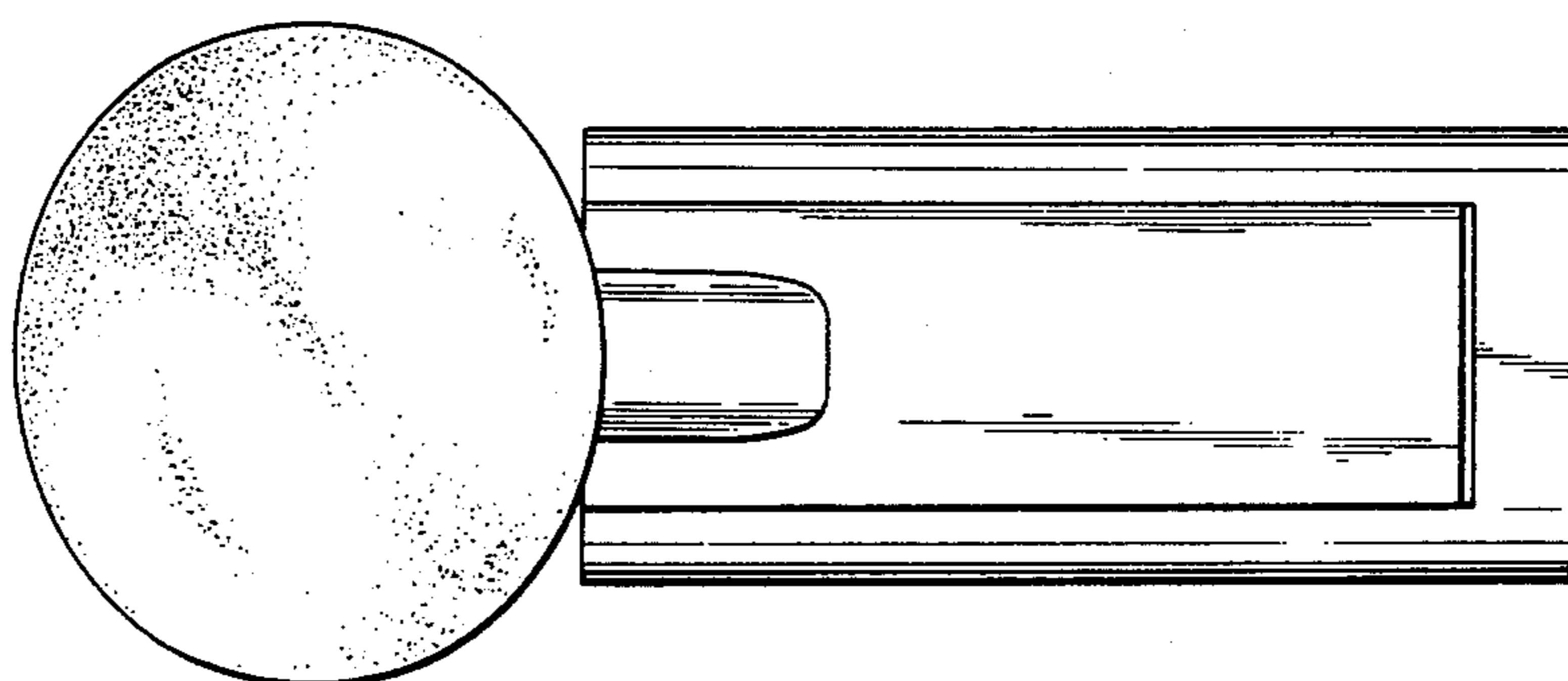


Fig. 5

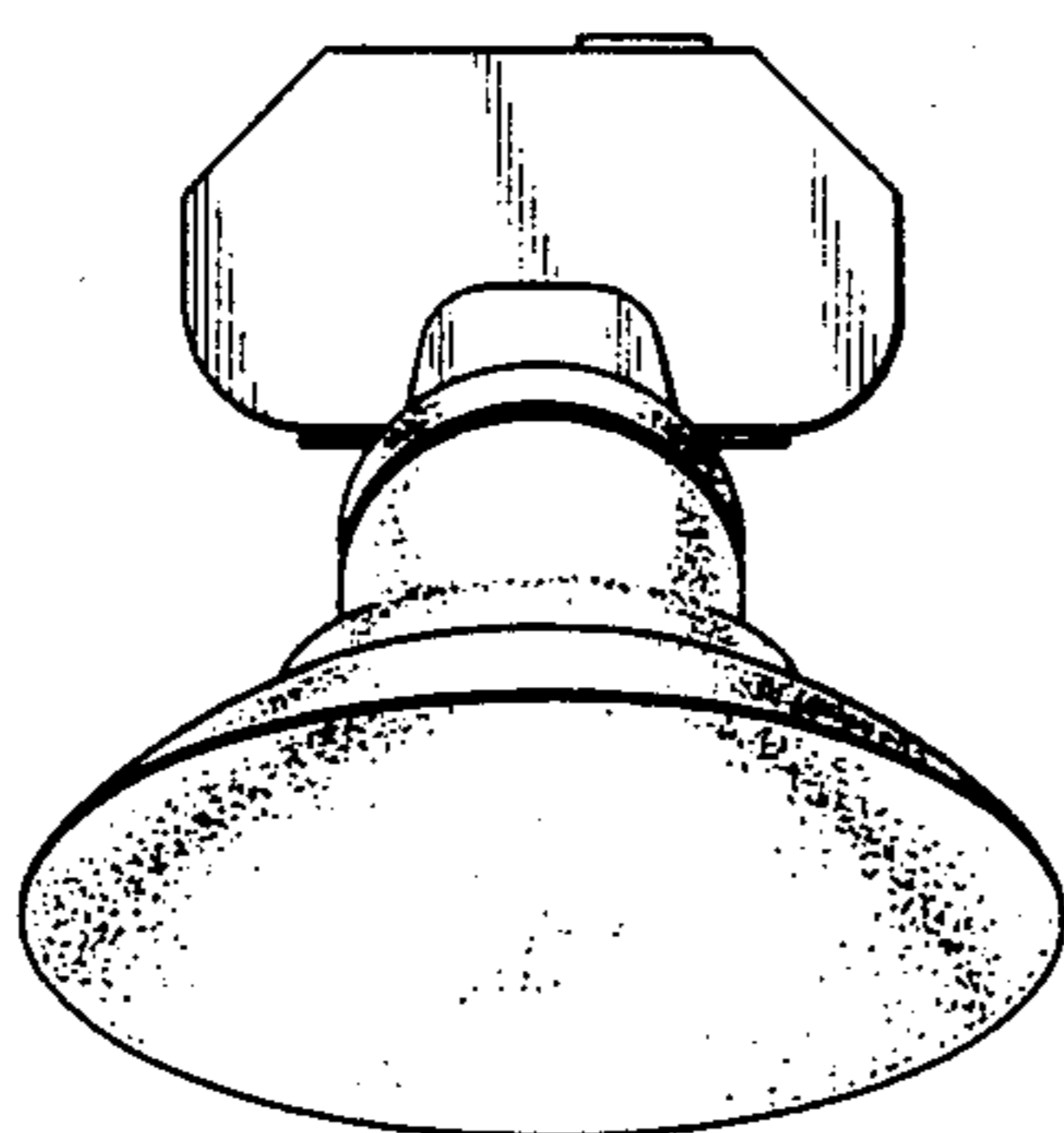


Fig. 6

