

[54] SWIMMING POOL

[76] Inventor: Jack A. Freeman, R.D. #2, Box 613, Hollidaysburg, Pa. 16648

[**] Term: 14 Years

[21] Appl. No.: 292,179

[22] Filed: Aug. 12, 1981

[52] U.S. Cl. D25/2; D25/85

[58] Field of Search 4/488, 506-513; D25/2, 84, 85; 52/73, 169.7, 169.8

[56] References Cited

U.S. PATENT DOCUMENTS

3,010,117 11/1961 Riley et al. D25/2 X
3,551,920 1/1971 Greene D25/2 X

Primary Examiner—A. Hugo Word
Attorney, Agent, or Firm—Robert Yeager; Christine Ethridge

[57] CLAIM

The ornamental design for a swimming pool, substantially as shown and described.

DESCRIPTION

FIG. 1 is a perspective view of a swimming pool embodying my new design;

FIG. 2 is a top plan view of the swimming pool shown in FIG. 1;

FIG. 3 is a side elevational view of the swimming pool shown in FIG. 1, the opposite side view being identical to FIG. 3;

FIG. 4 is a top plan view of another swimming pool embodying my new design;

FIG. 5 is a front elevational view of the swimming pool shown in FIG. 4, the rear and two side views being identical to FIG. 5;

FIG. 6 is a top plan view of another swimming pool embodying my new design;

FIG. 7 is a front elevational view of the swimming pool shown in FIG. 6, the left side view being identical to FIG. 7 but being the mirror image thereof;

FIG. 8 is a right side elevational view of the swimming pool shown in FIG. 6, the rear elevational view being identical to FIG. 8;

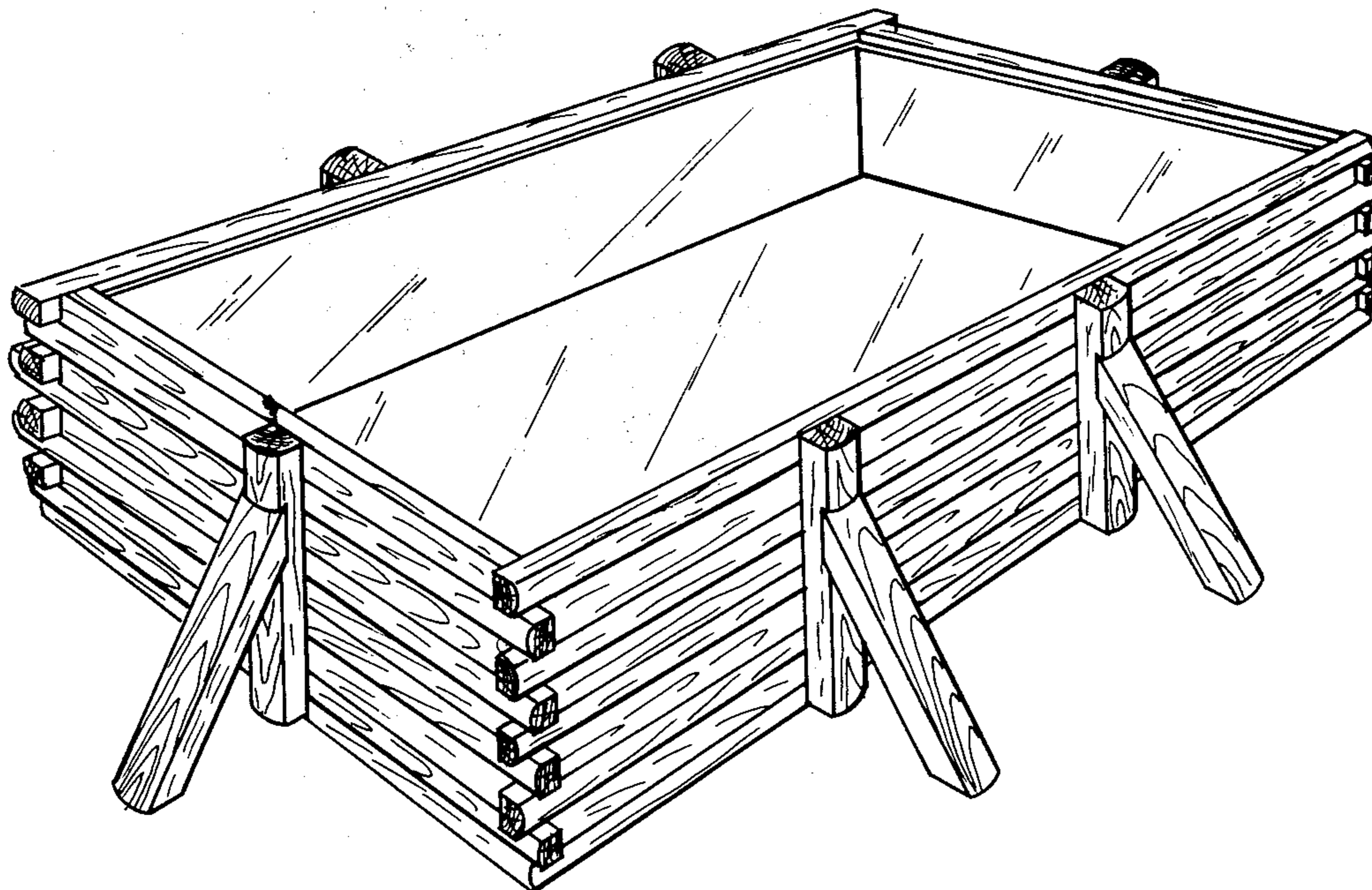
FIG. 9 is a perspective view of another swimming pool embodying my new design;

FIG. 10 is a top plan view of the swimming pool shown in FIG. 9;

FIG. 11 is a front elevational view of the swimming pool shown in FIG. 9, the rear and side elevational views being identical to FIG. 11;

FIG. 12 is a top plan view of another swimming pool embodying my new design; and

FIG. 13 is a front elevational view of the swimming pool shown in FIG. 11, each elevational view of a wall of the swimming pool being identical to FIG. 12.



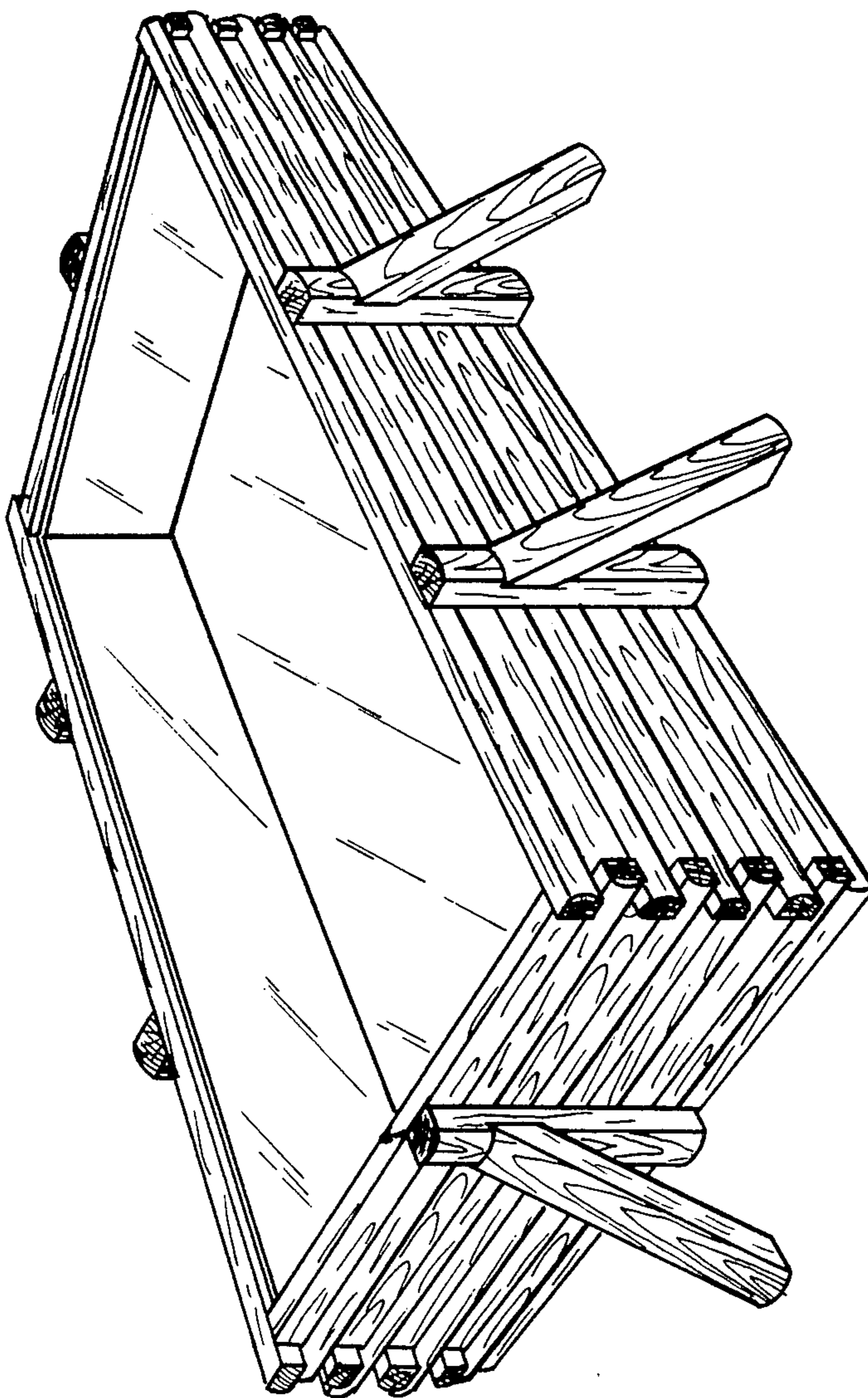


FIG. 1

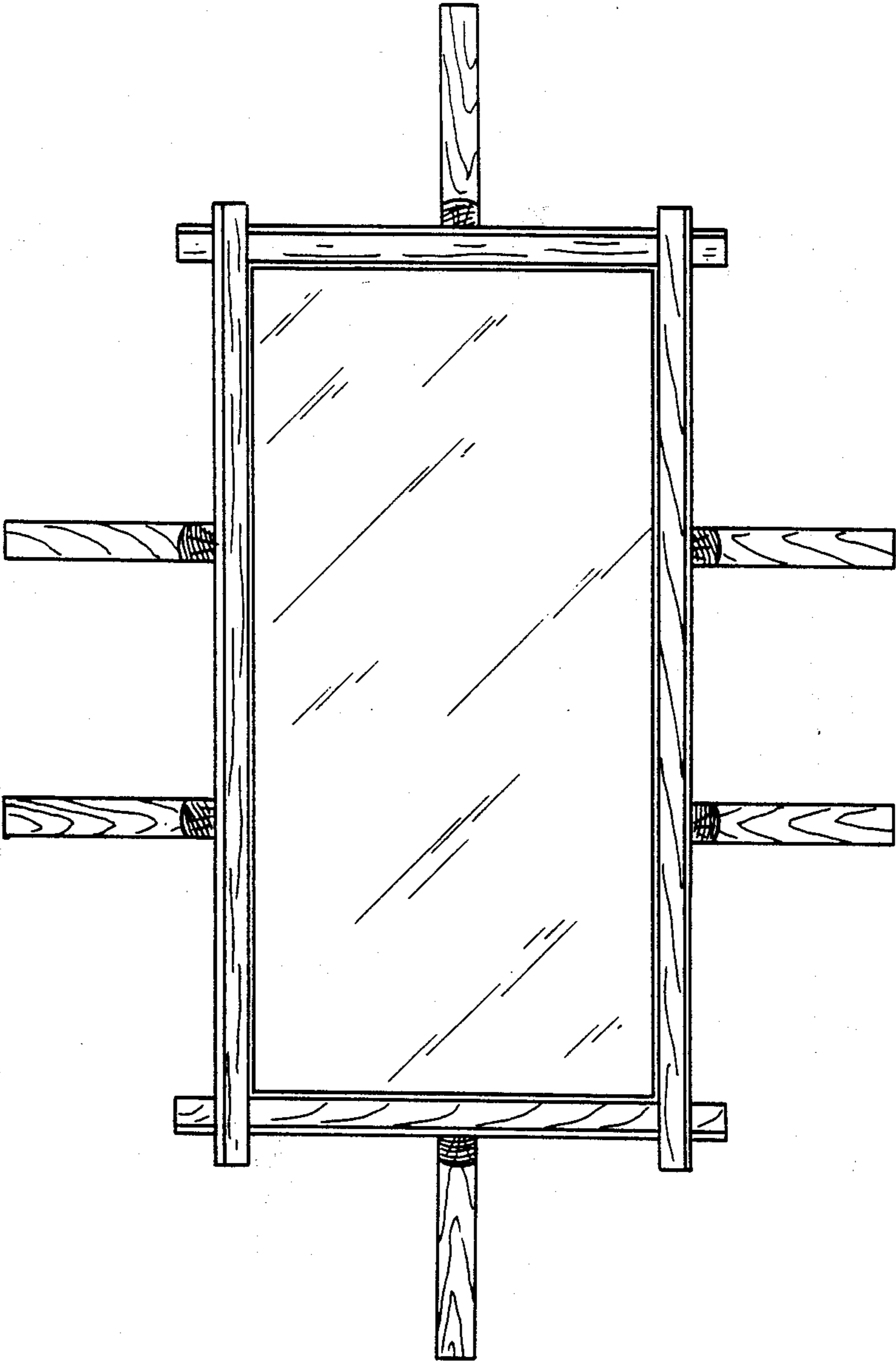


FIG. 2

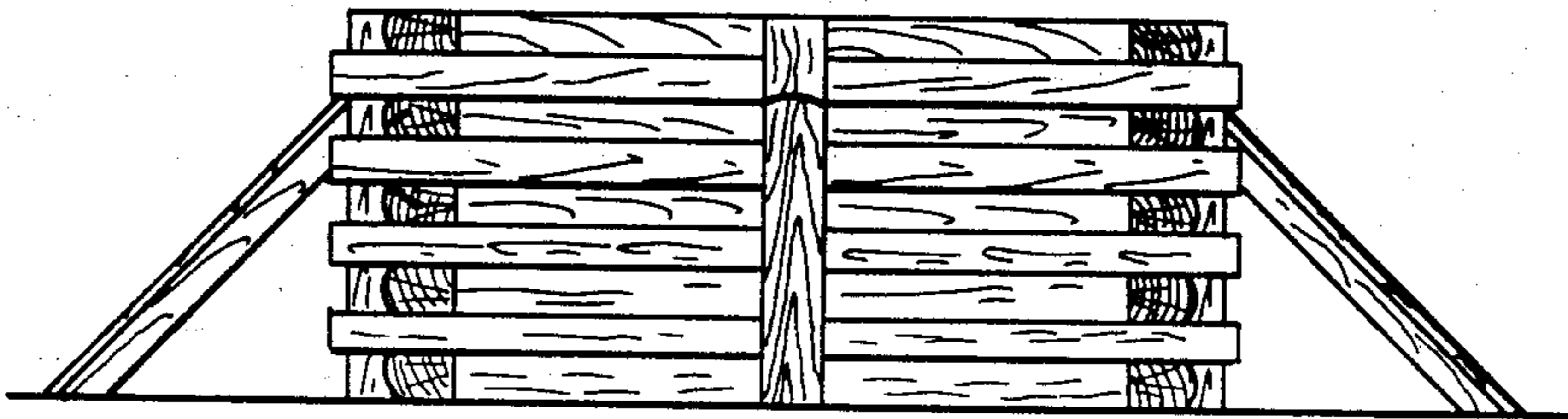


FIG. 3

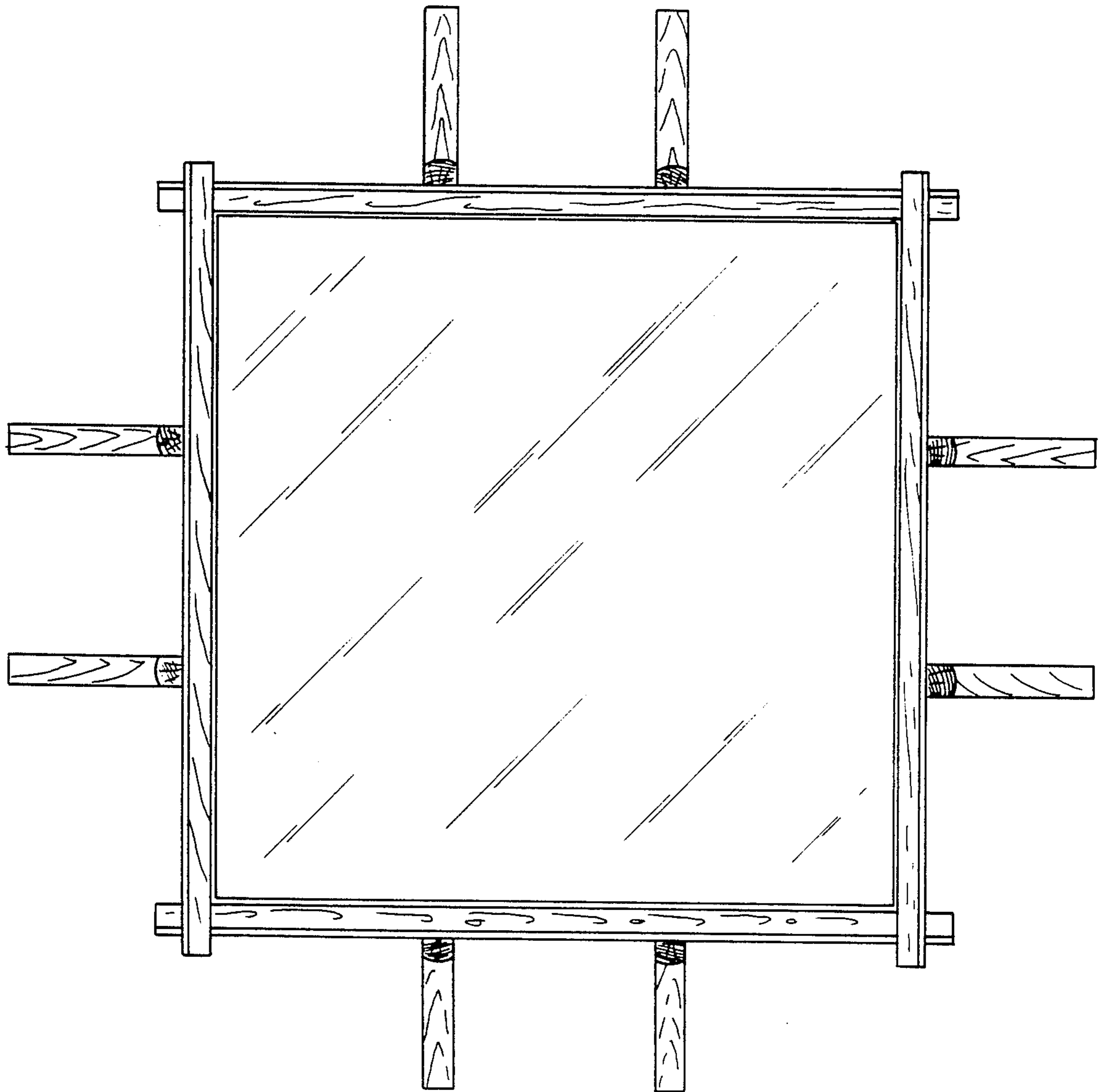


FIG. 4

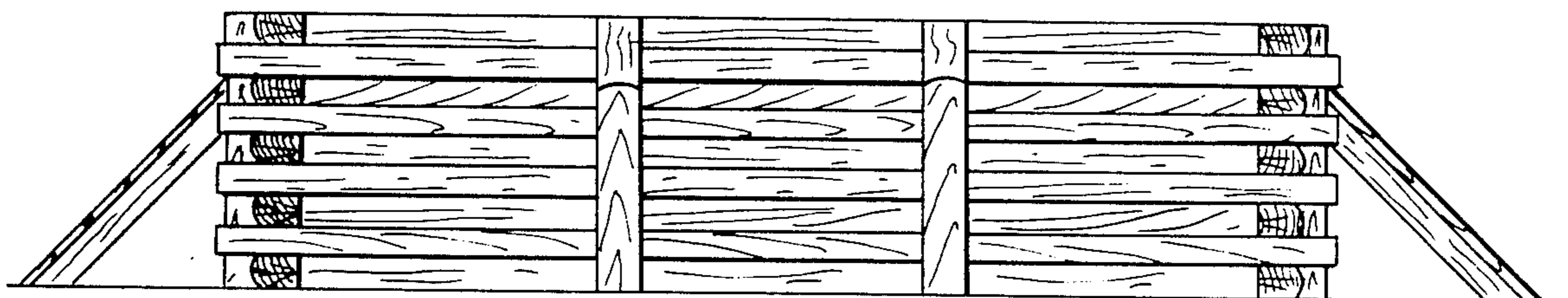


FIG. 5

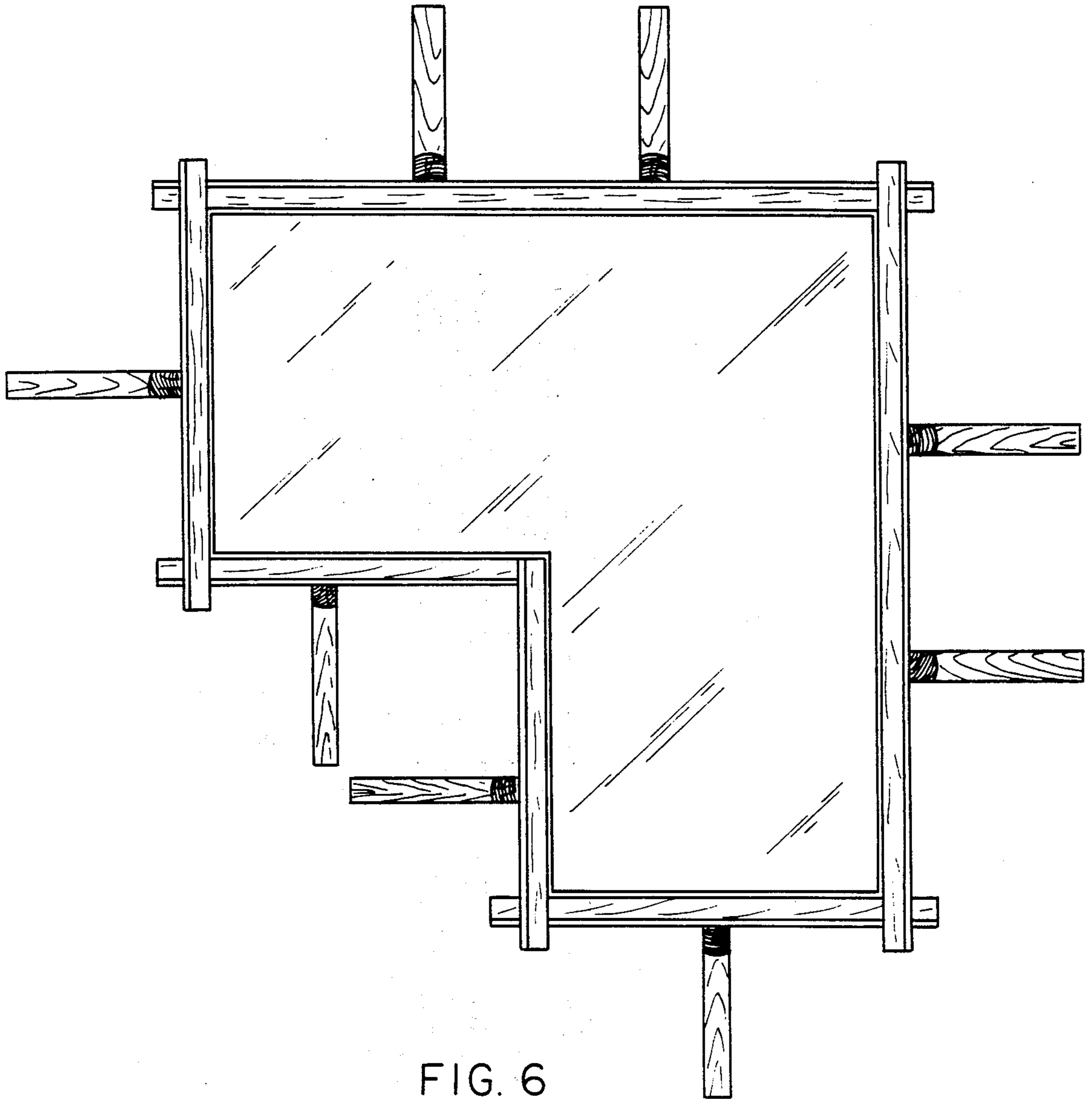


FIG. 6

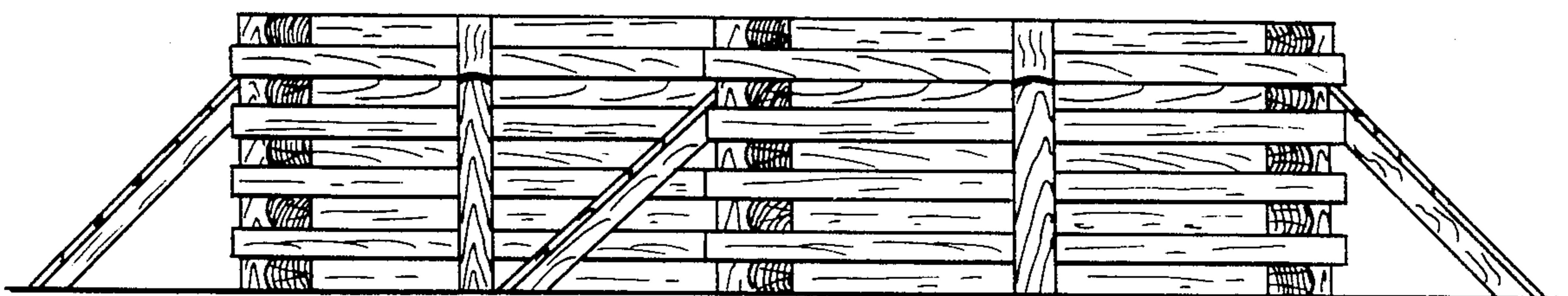


FIG. 7

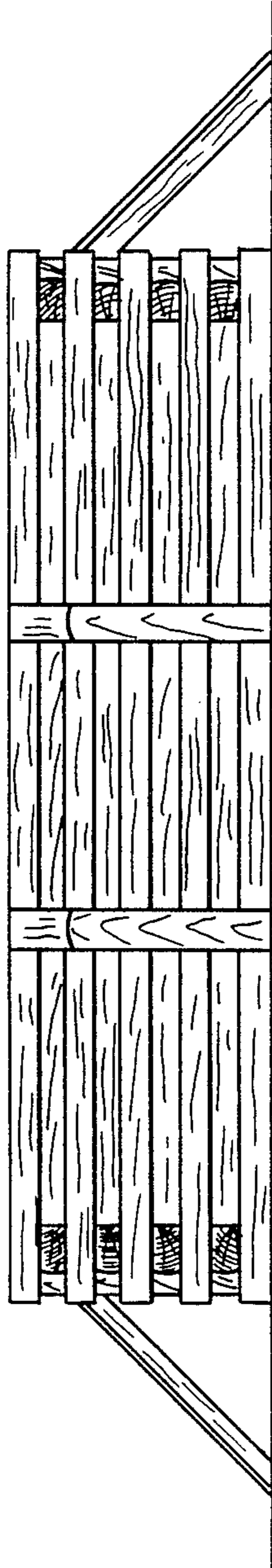


FIG. 8

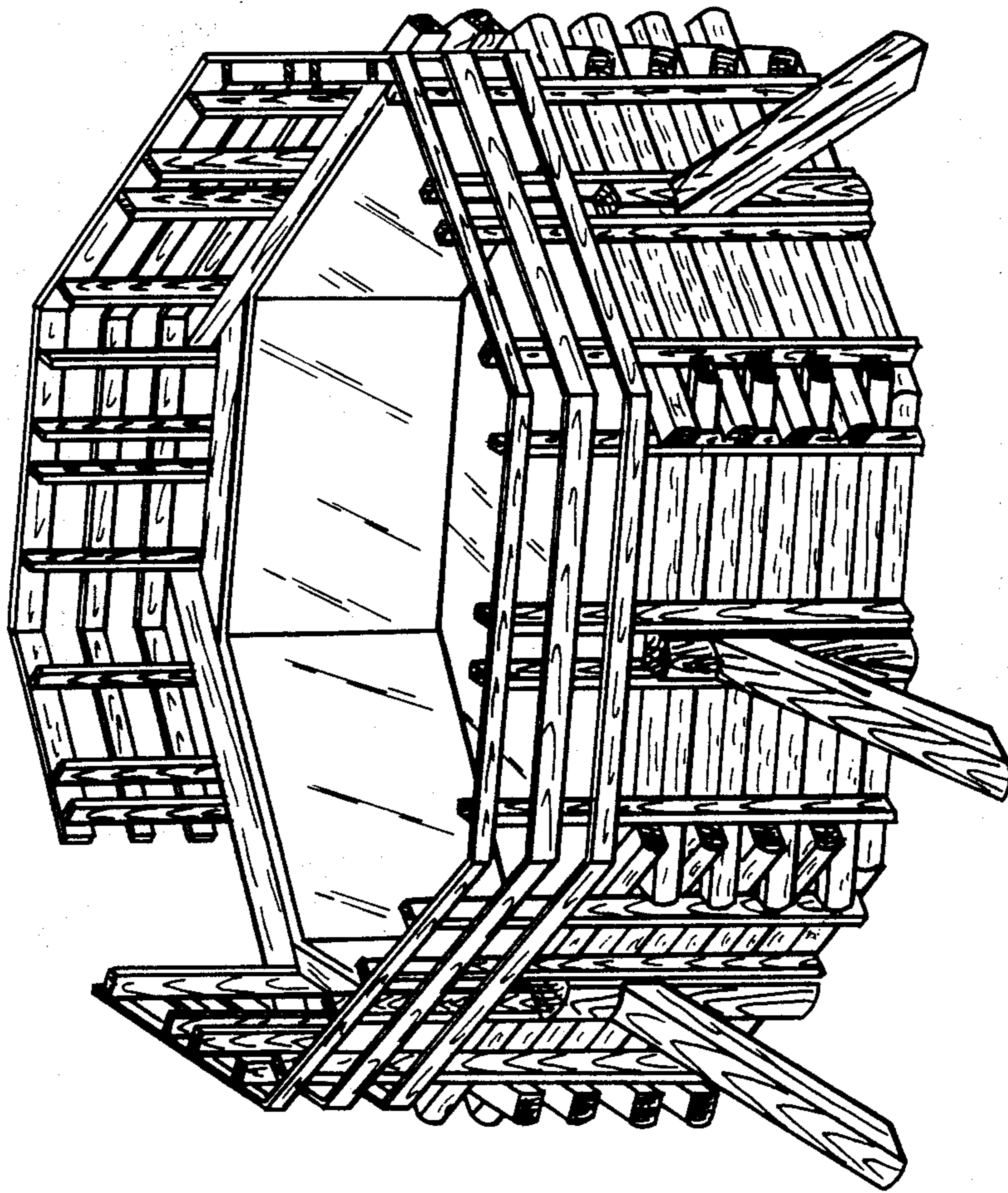


FIG. 9

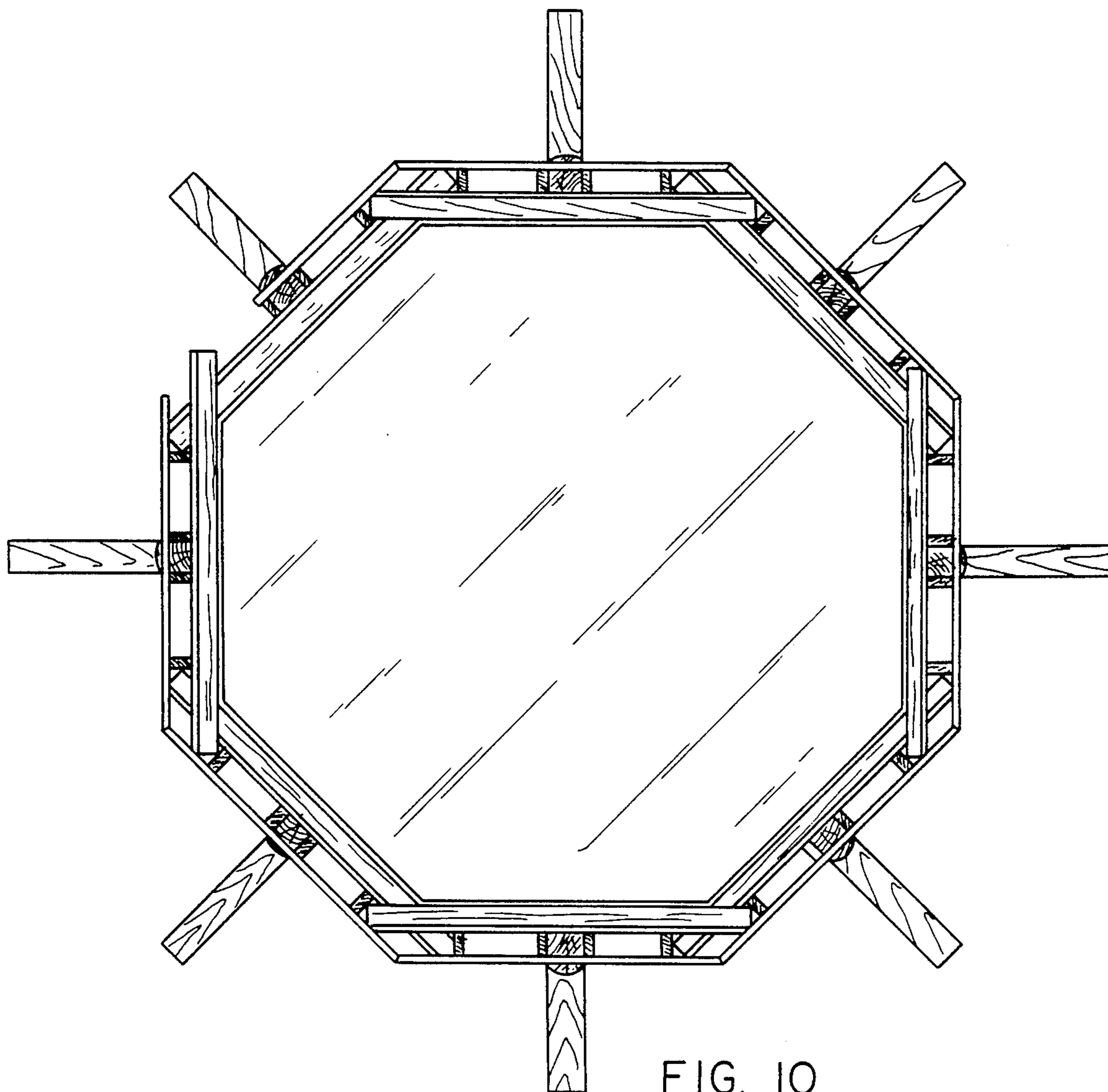


FIG. 10

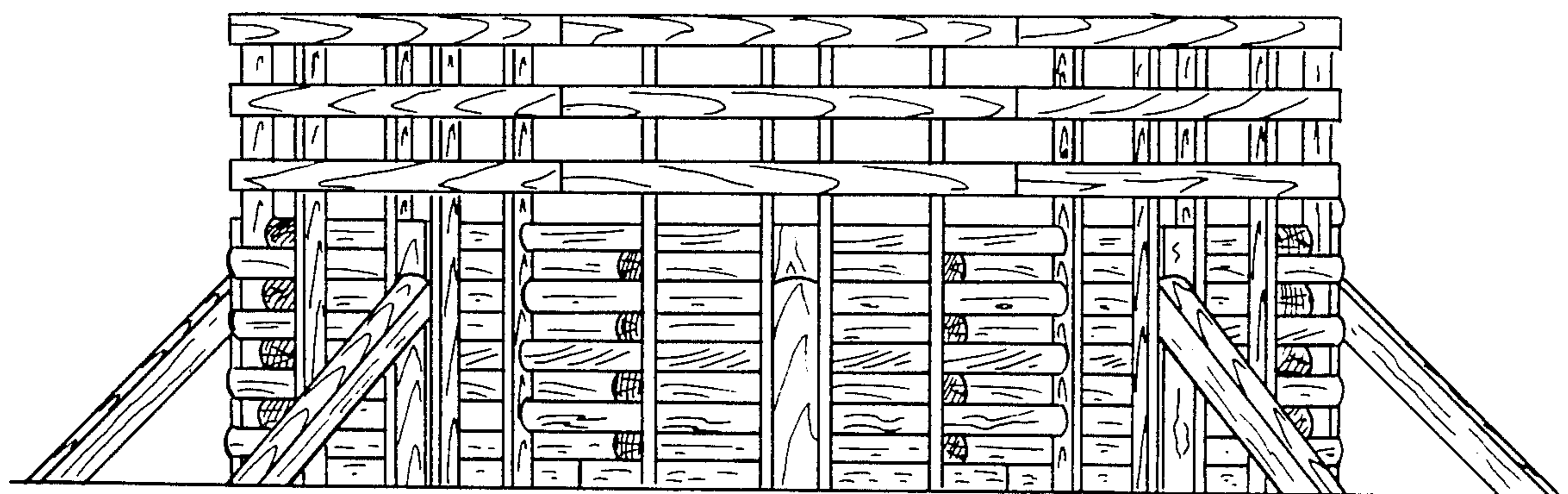


FIG. 11

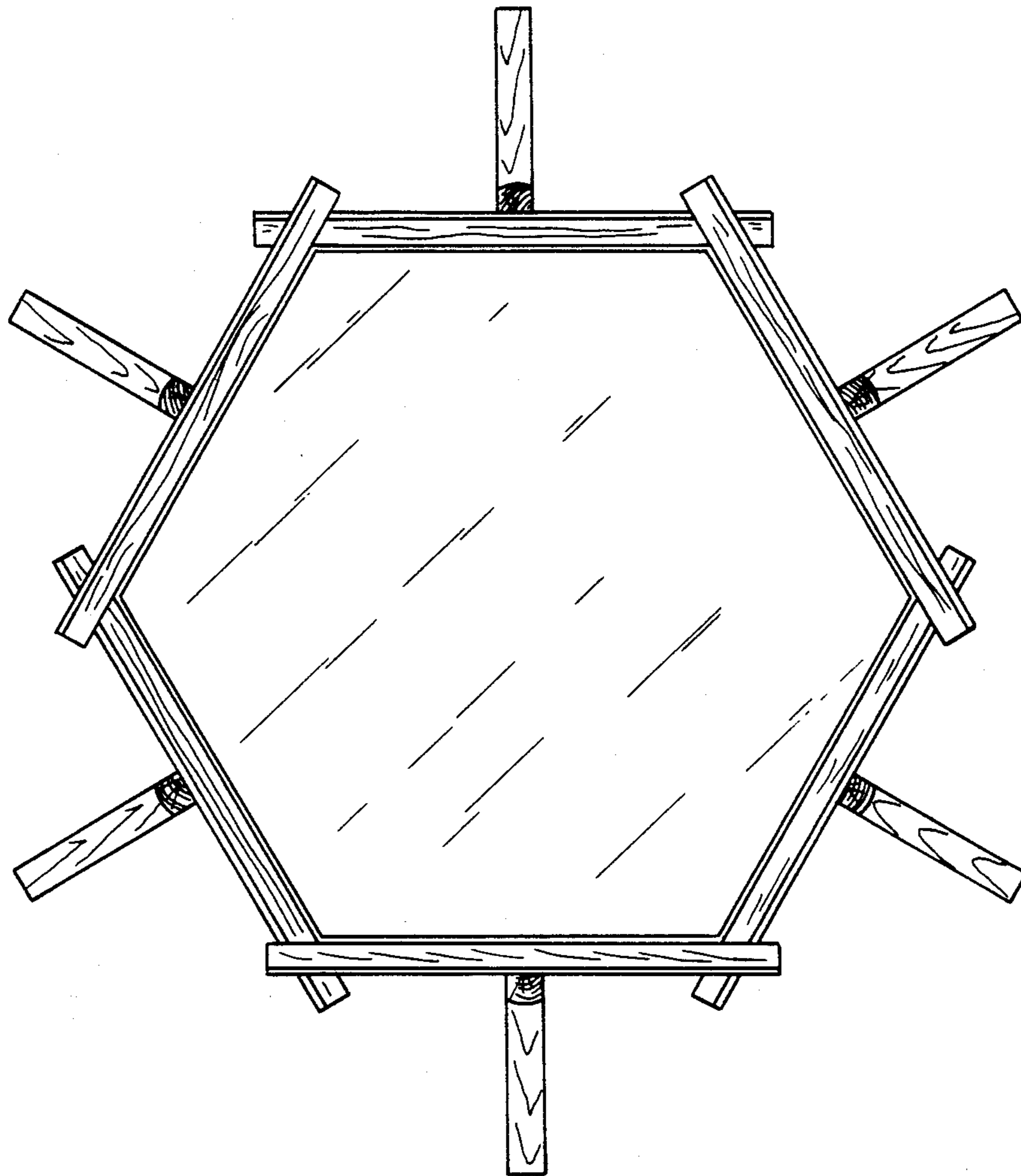


FIG. 12

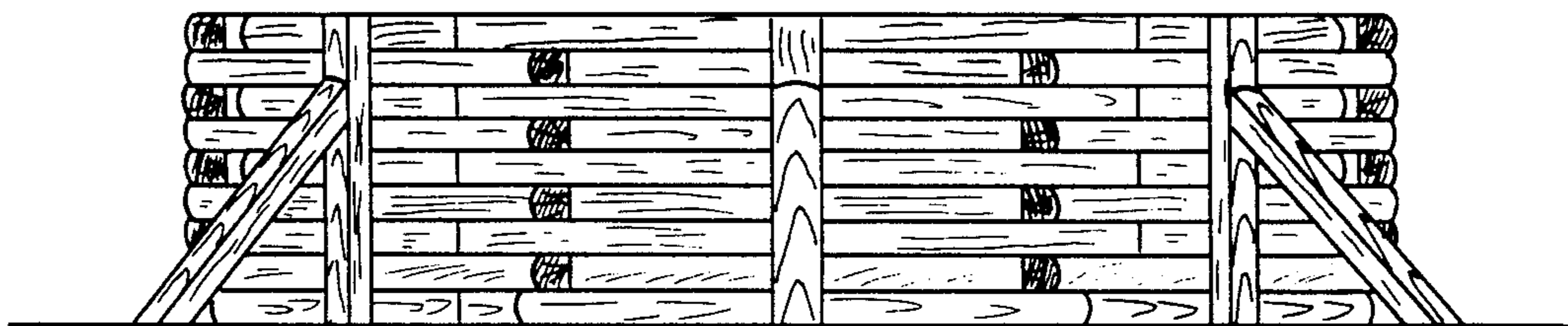


FIG. 13

UNITED STATES PATENT AND TRADEMARK OFFICE
CERTIFICATE OF CORRECTION

PATENT NO. : Des. 279,220
DATED : June 11, 1985
INVENTOR(S) : Jack A. Freeman

It is certified that error appears in the above—identified patent and that said Letters Patent is hereby corrected as shown below:

Col. 2, line 29, change "11" to --12--; and,

Col. 2, line 30, change "12" to --13--.

Signed and Sealed this
Fourteenth Day of January 1986

[SEAL]

Attest:

Attesting Officer

DONALD J. QUIGG

Commissioner of Patents and Trademarks