

[54] HUMIDIFER

[75] Inventors: Joseph R. Mango, Midlothian;  
Donald G. Wolfe, Lake Barrington,  
both of Ill.

[73] Assignee: Gerber Products Company, Fremont,  
Mich.

[\*\*] Term: 14 Years

[21] Appl. No.: 418,910

[22] Filed: Sep. 16, 1982

[52] U.S. Cl. .... D23/146

[58] Field of Search ..... D23/145-149;  
98/30, 105, 109; 219/271-276, 284, 295;  
239/215

[56] References Cited

U.S. PATENT DOCUMENTS

D. 192,842	5/1962	Katzman	.....	D23/148
D. 195,914	8/1963	Luedtke	.....	D23/146
D. 196,086	8/1963	Stolarz	.....	D23/146
D. 197,937	4/1964	Katzman et al.	.....	D23/148

D. 205,648	8/1966	Katzman et al.	.....	D23/146
D. 254,750	4/1980	Myklebust et al.	.....	D23/146
D. 255,712	7/1980	Chitiara	.....	D23/146
3,188,007	6/1965	Myklebust	.....	239/215
3,809,374	5/1974	Schossow	.....	219/273
4,132,883	1/1979	Grimo	.....	219/275 X
4,288,684	9/1981	Kotov	.....	219/273 X

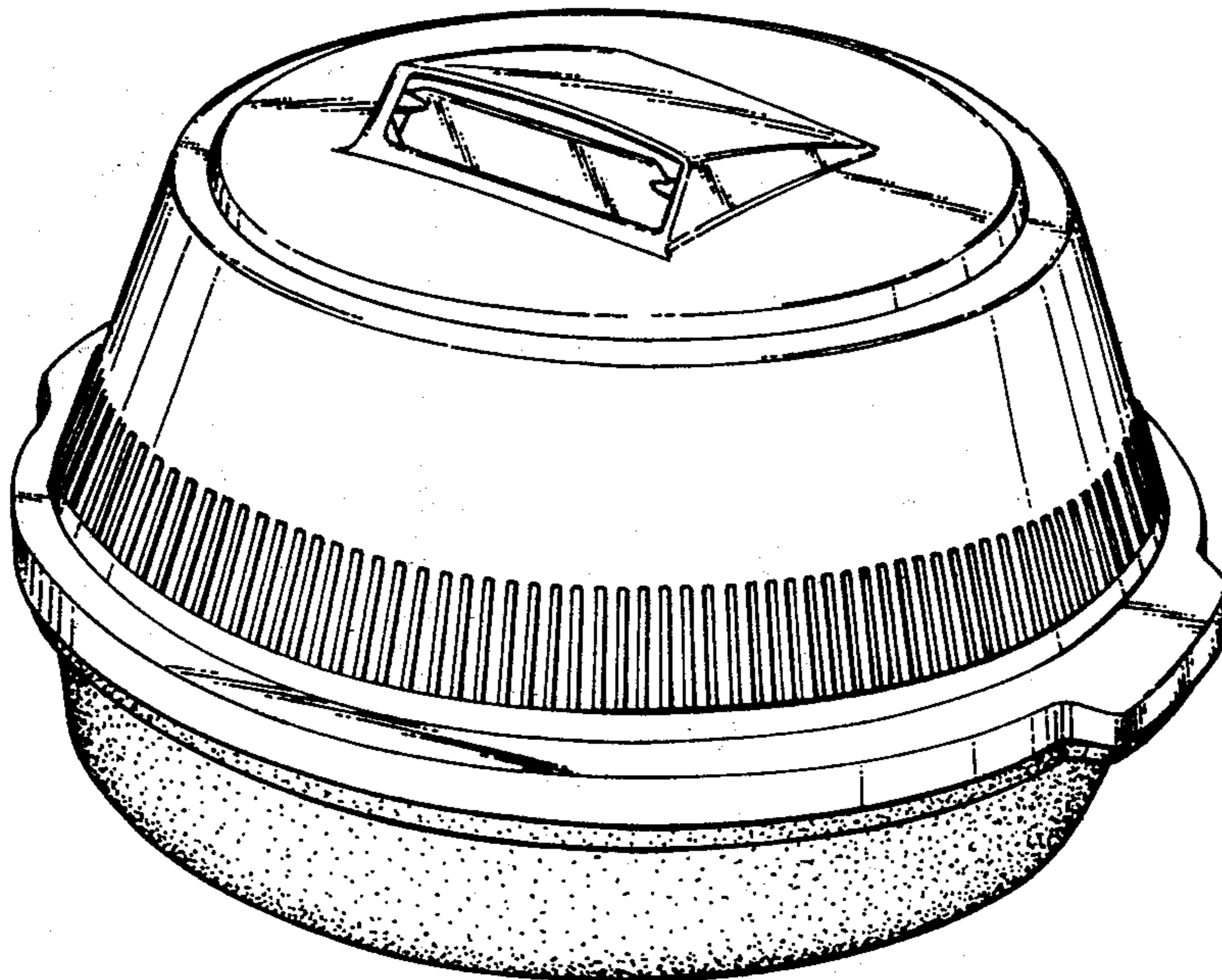
Primary Examiner—James R. Largen  
Attorney, Agent, or Firm—Townsend and Townsend

[57] CLAIM

The ornamental design for a humidifier, as shown and described.

DESCRIPTION

FIG. 1 is a perspective view of a humidifier embodying our new design;  
FIG. 2 is a top plan view thereof;  
FIG. 3 is a front elevational view thereof;  
FIG. 4 is a right side elevational view thereof, the left side being a mirror image of the right side shown;  
FIG. 5 is a rear elevational view thereof;  
FIG. 6 is a bottom plan view thereof.



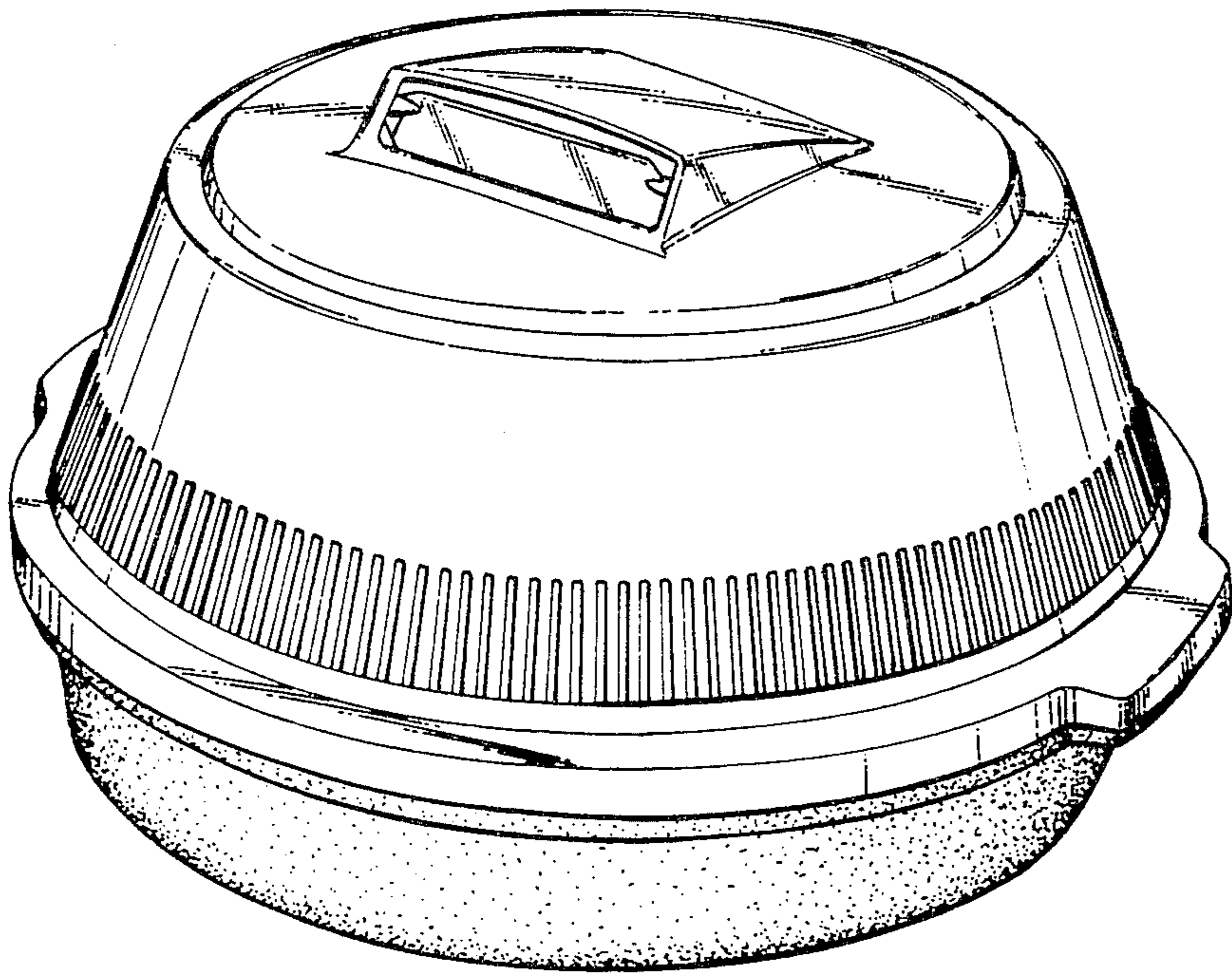


FIG. 1.

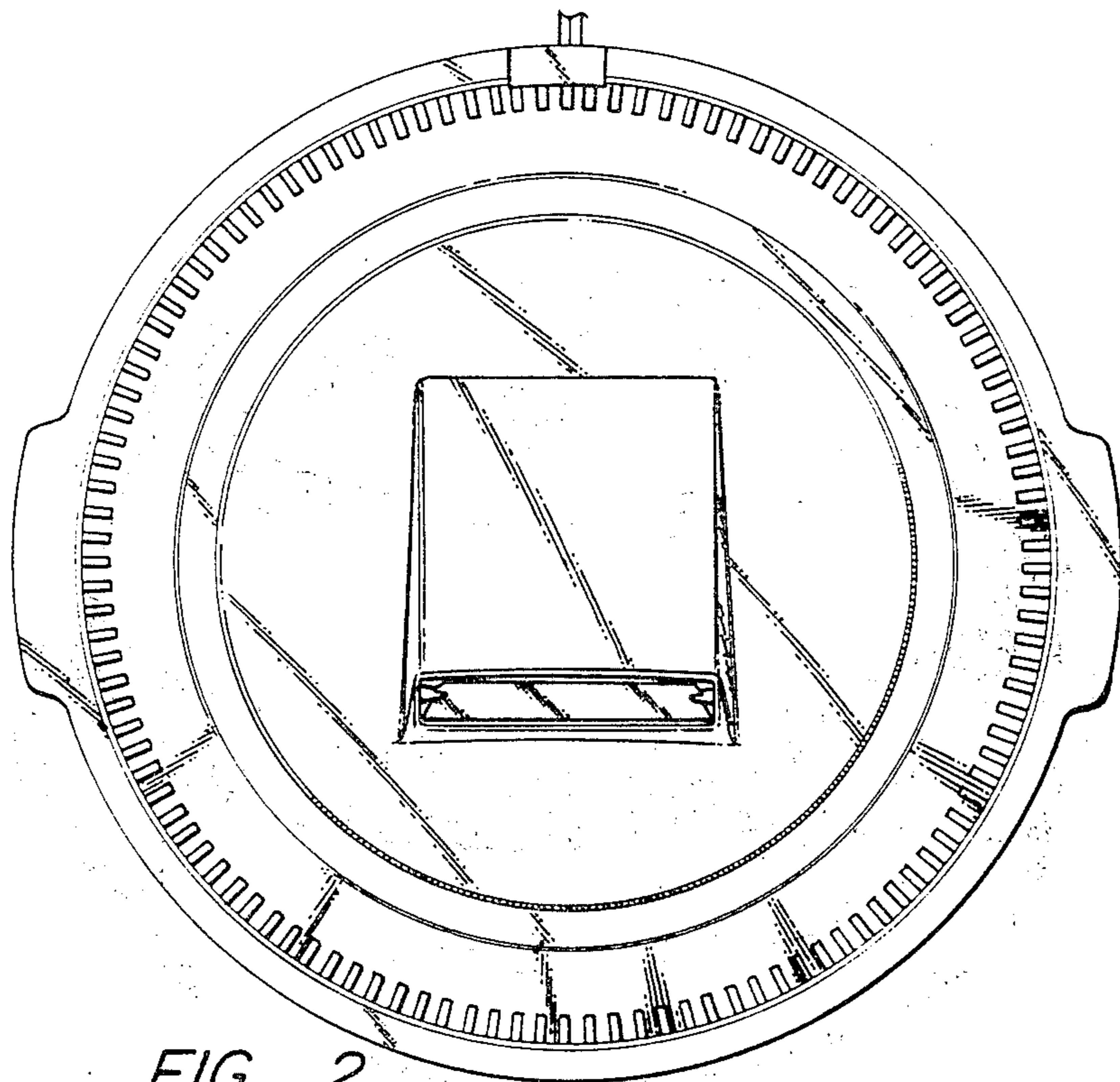


FIG. 2.

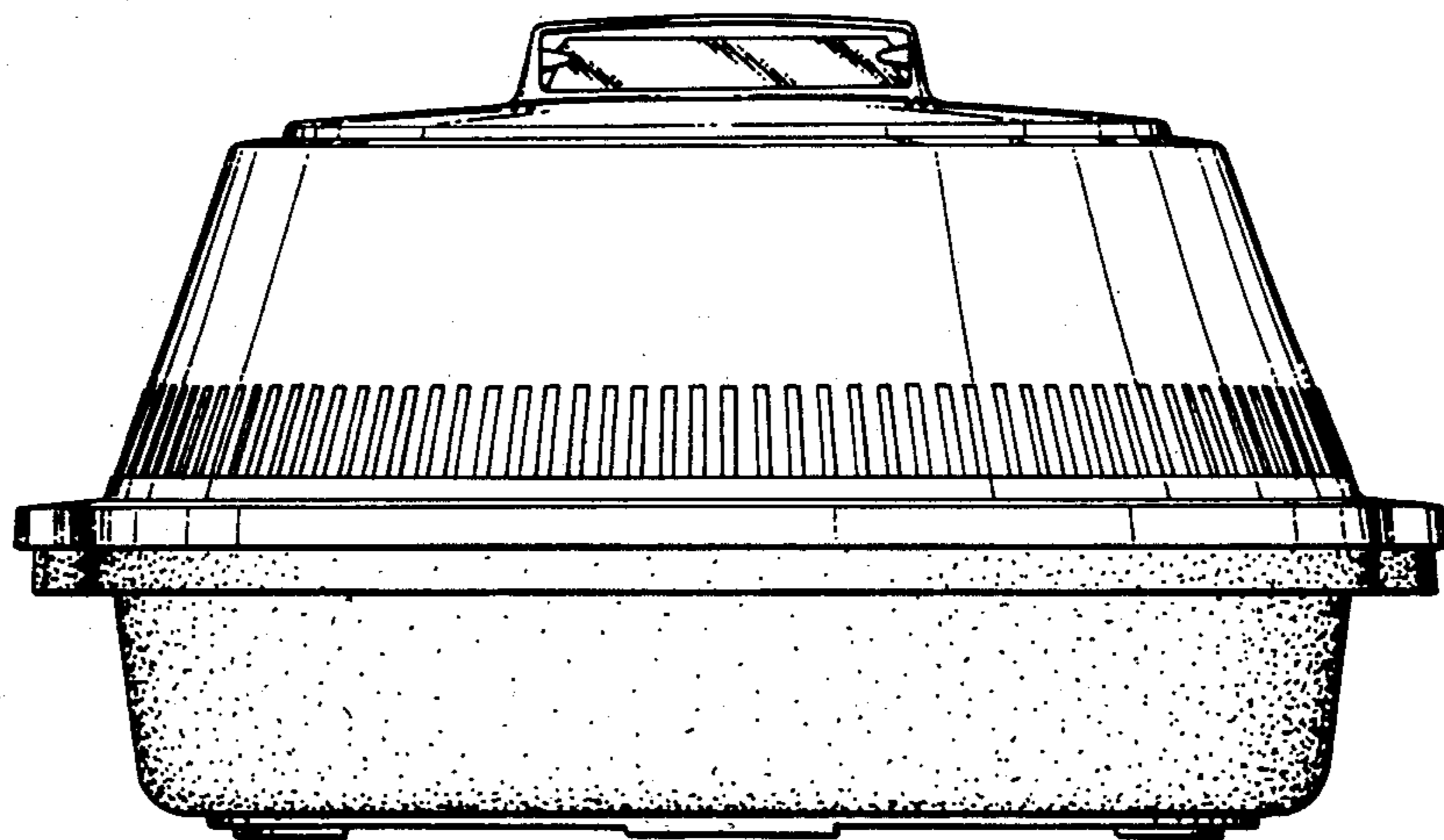


FIG. 3.

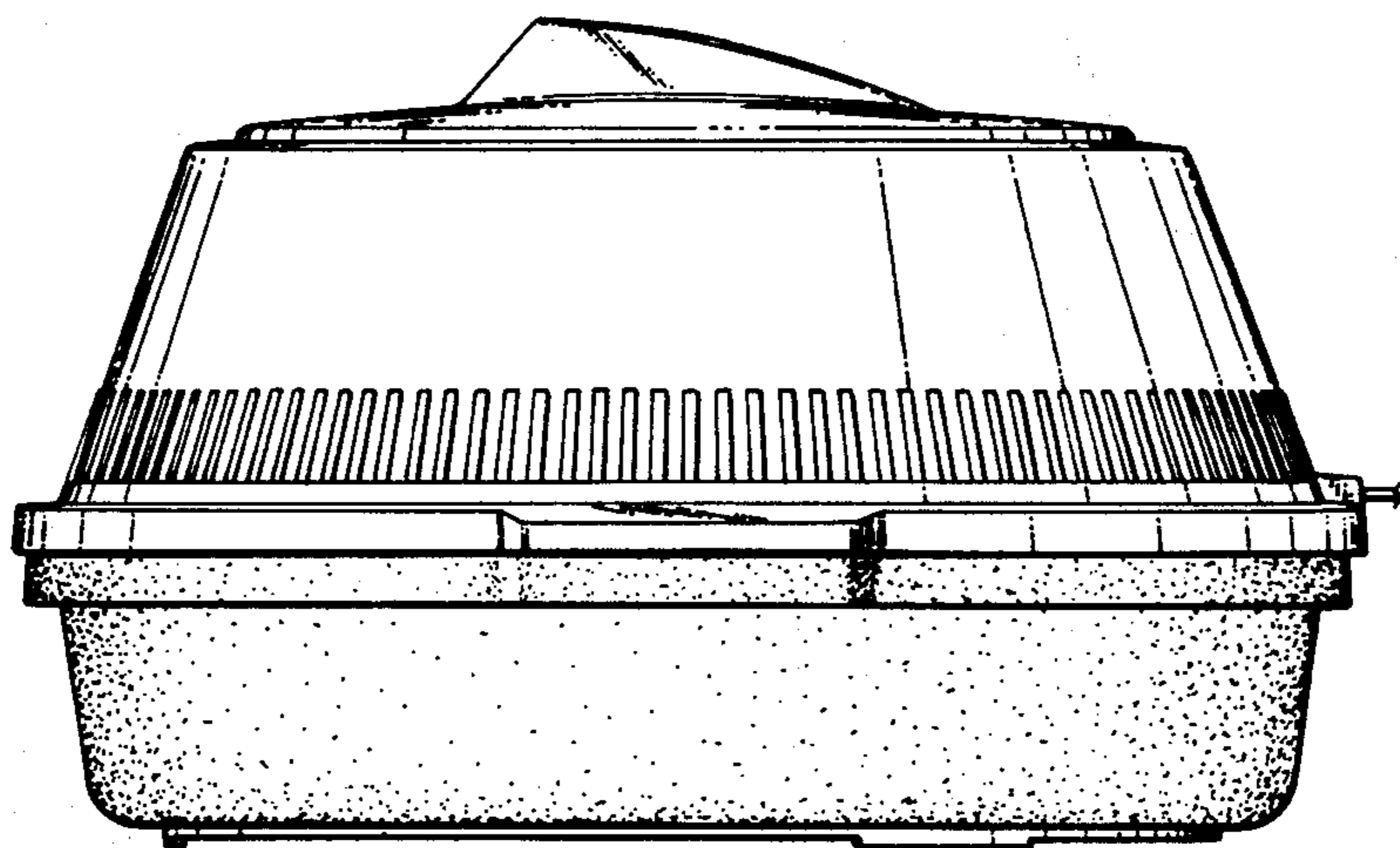


FIG. 4.

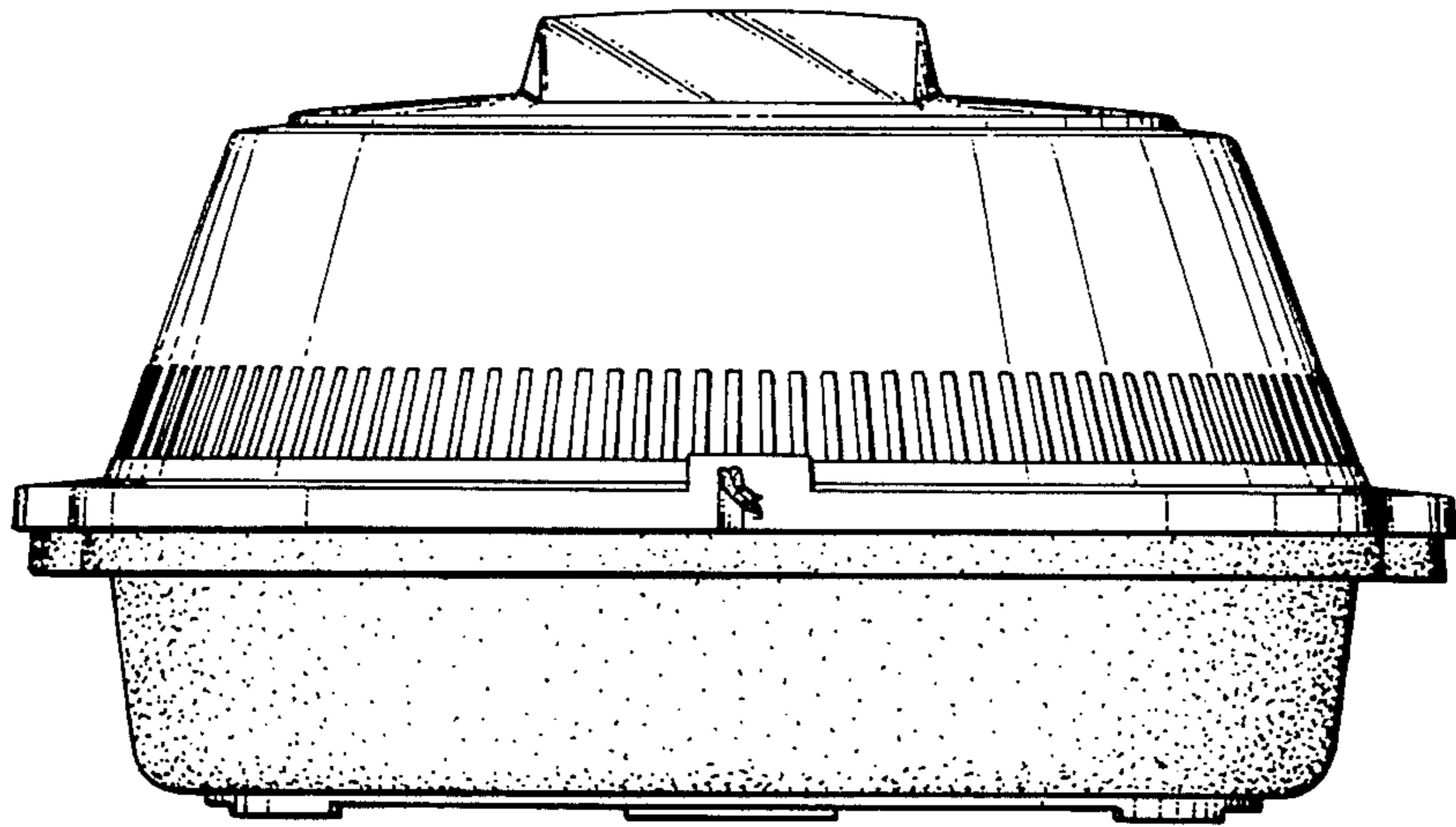


FIG. 5.

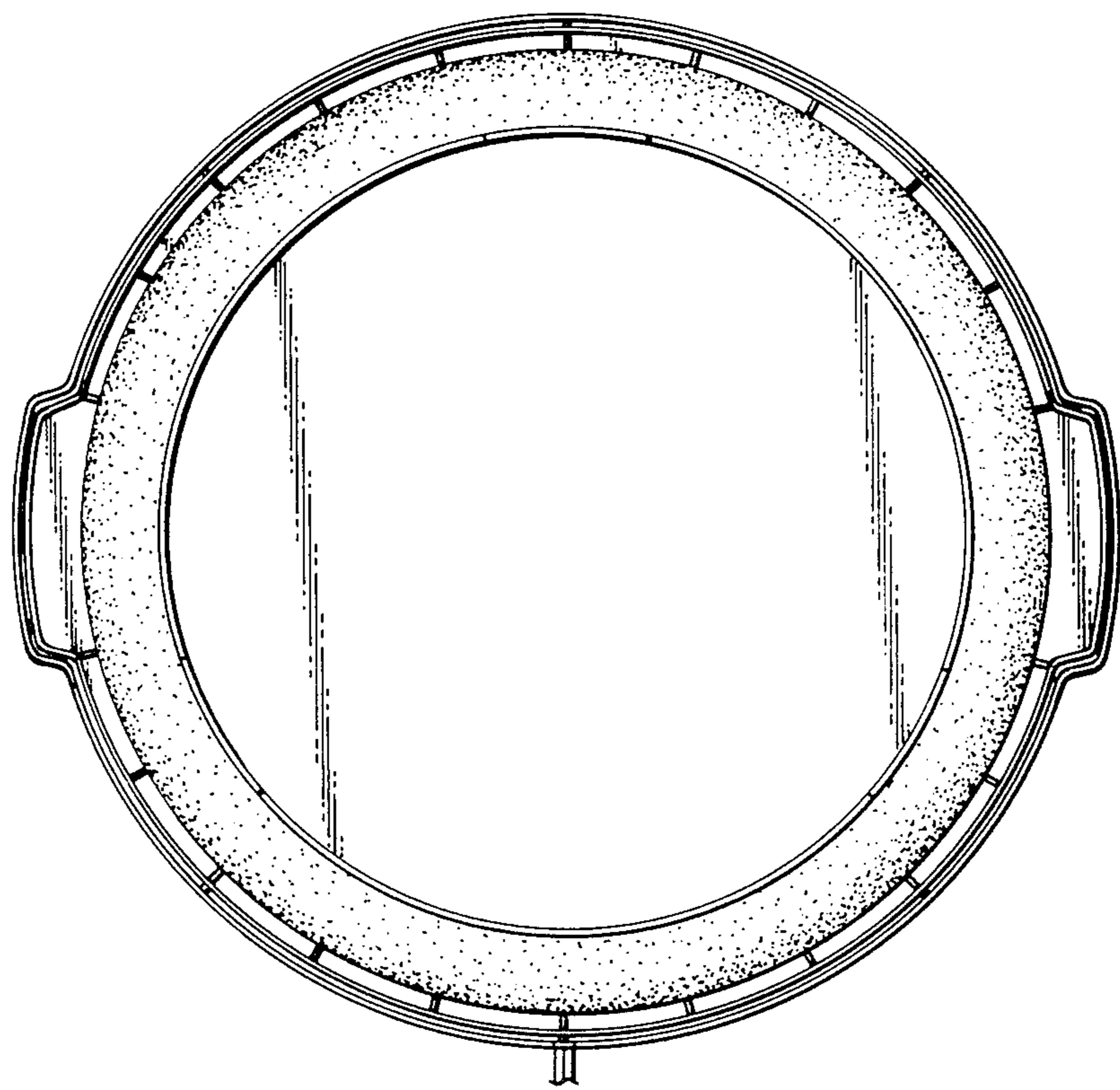


FIG. 6.