

[54] SOLAR COLLECTOR

[76] Inventor: David J. Hanson, River Rd., New Castle, Me. 04553

[**] Term: 14 Years

[21] Appl. No.: 413,184

[22] Filed: Aug. 30, 1982

[52] U.S. Cl. D23/72

[58] Field of Search 126/426, 428, 429, 430, 126/431, 432, 444, 445, 449, 450; D23/72, 77, 127

[56] References Cited

U.S. PATENT DOCUMENTS

D. 256,840	9/1980	Katz	D23/72
4,226,256	10/1980	Hawley	126/450 X
4,314,548	2/1982	Hanson	126/429

FOREIGN PATENT DOCUMENTS

2399629	4/1979	France	126/450
2456292	1/1981	France	126/450

Primary Examiner—Catherine E. Kemper
Attorney, Agent, or Firm—Nicholas J. Aquilino

[57] CLAIM

The ornamental design for a solar collector, as shown and described.

DESCRIPTION

FIG. 1 is a perspective view of a solar collector, showing my new design;
FIG. 2 is a side elevational view thereof;
FIG. 3 is a front elevational view thereof;
FIG. 4 is a rear elevational view thereof;
FIG. 5 is a rear perspective view thereof.

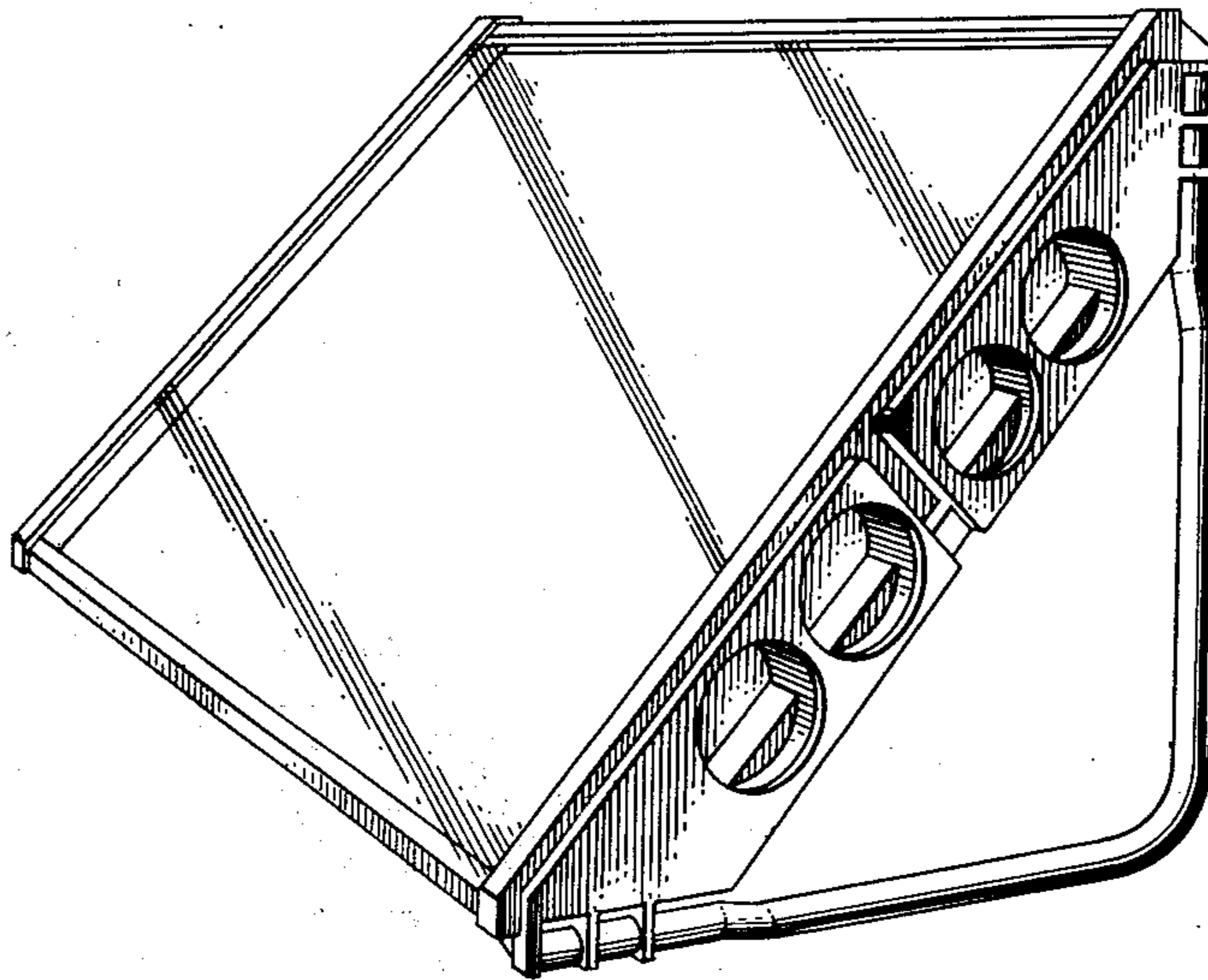


FIG. 1.

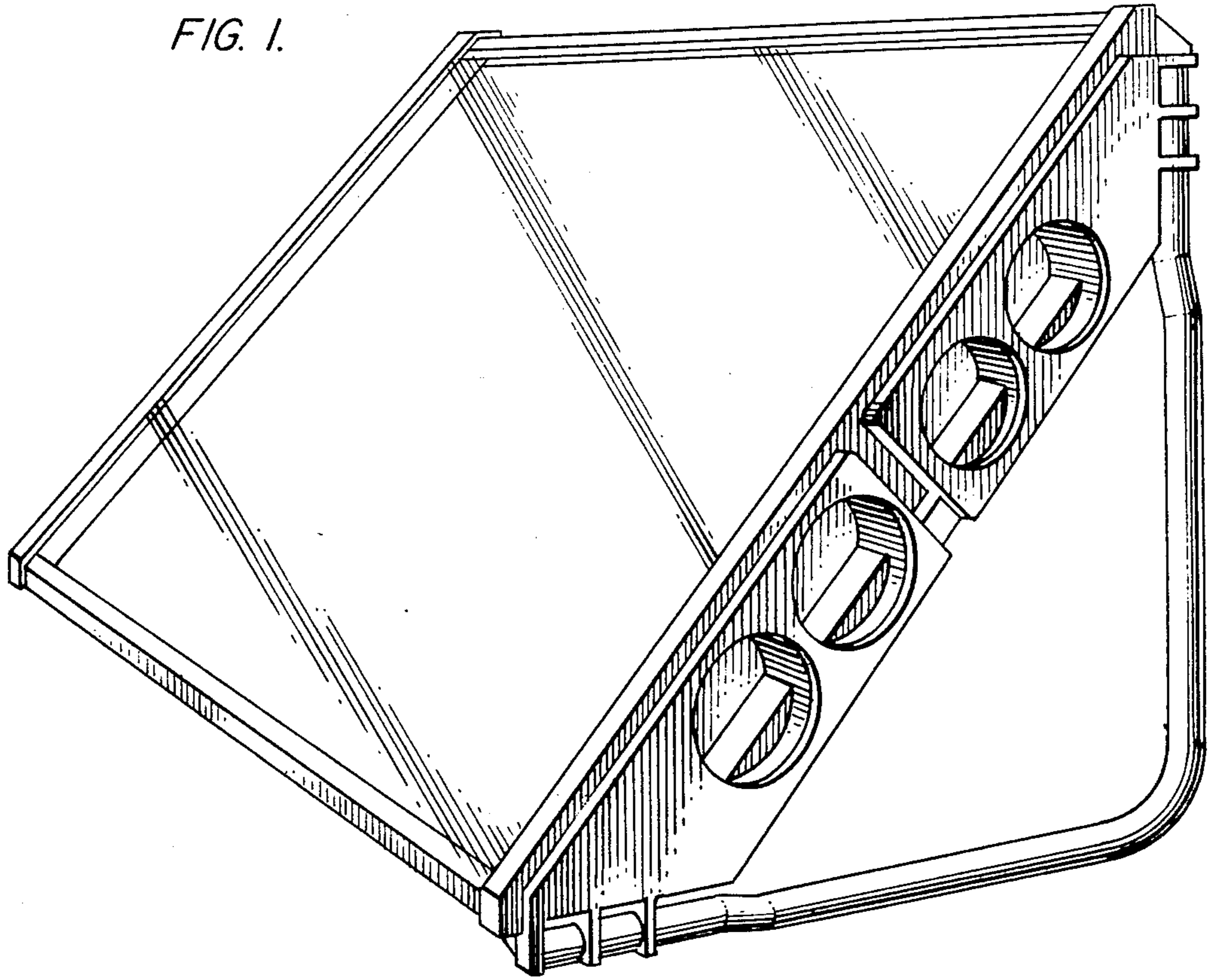


FIG. 2.

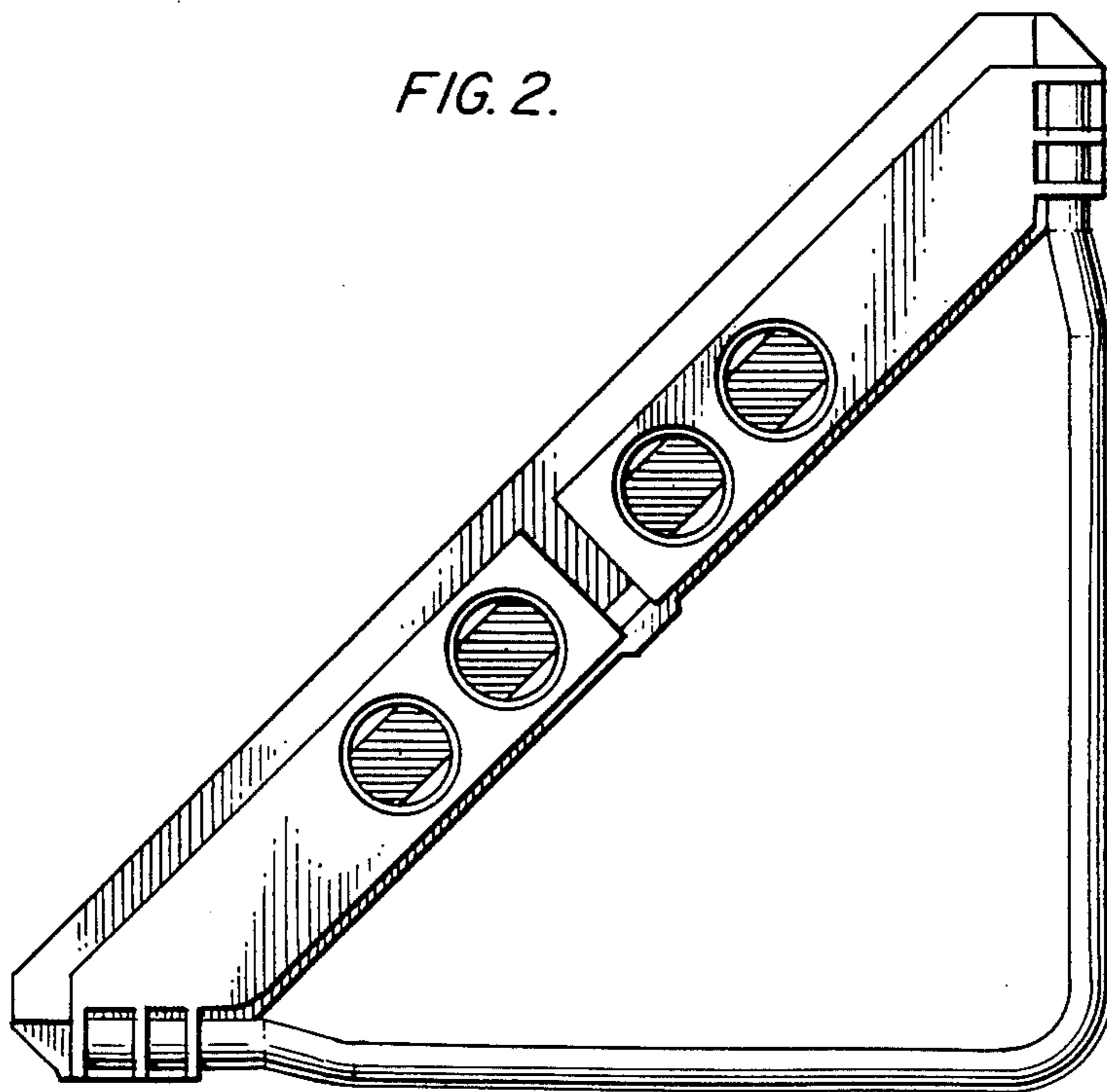


FIG. 3.

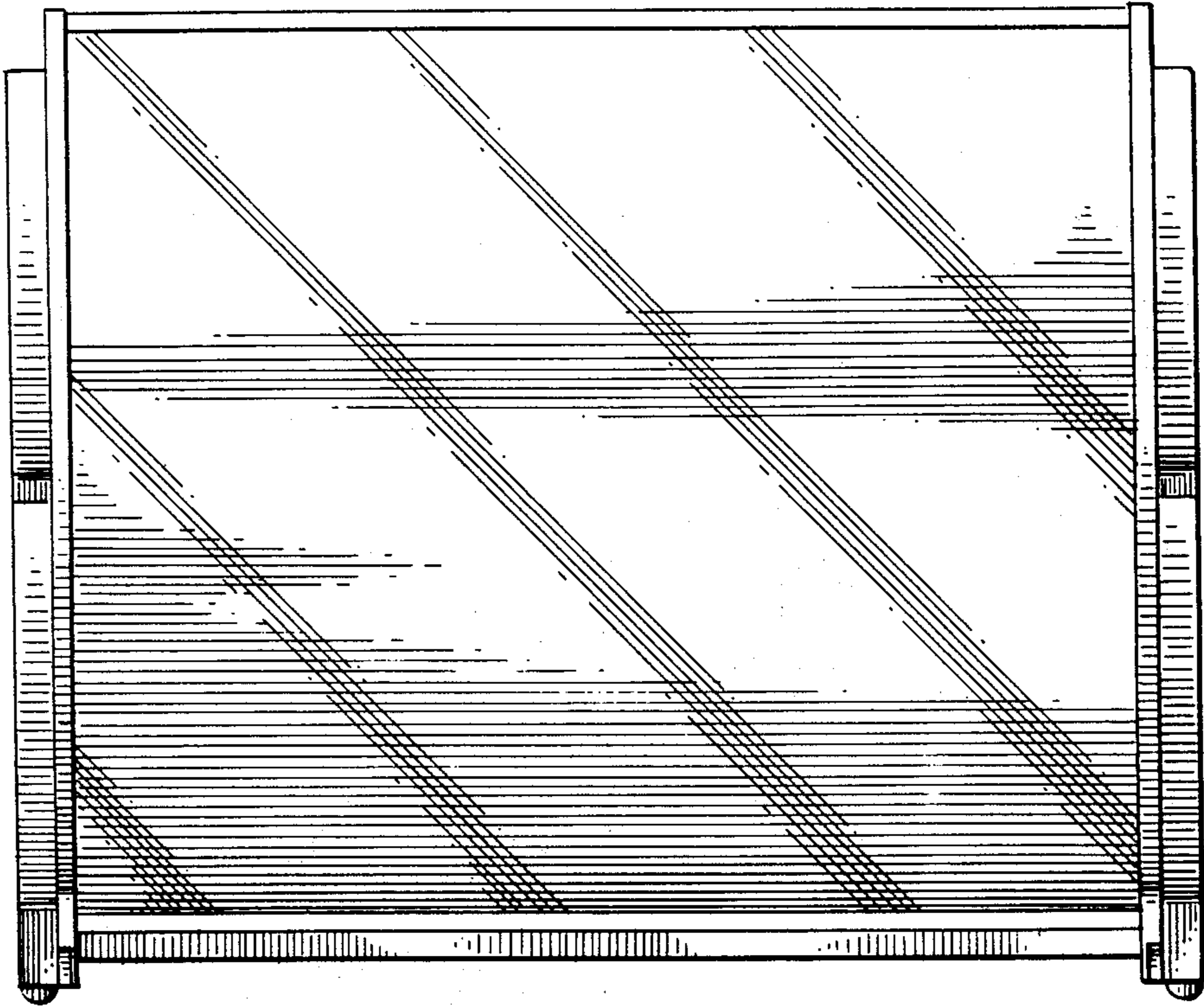


FIG. 4.

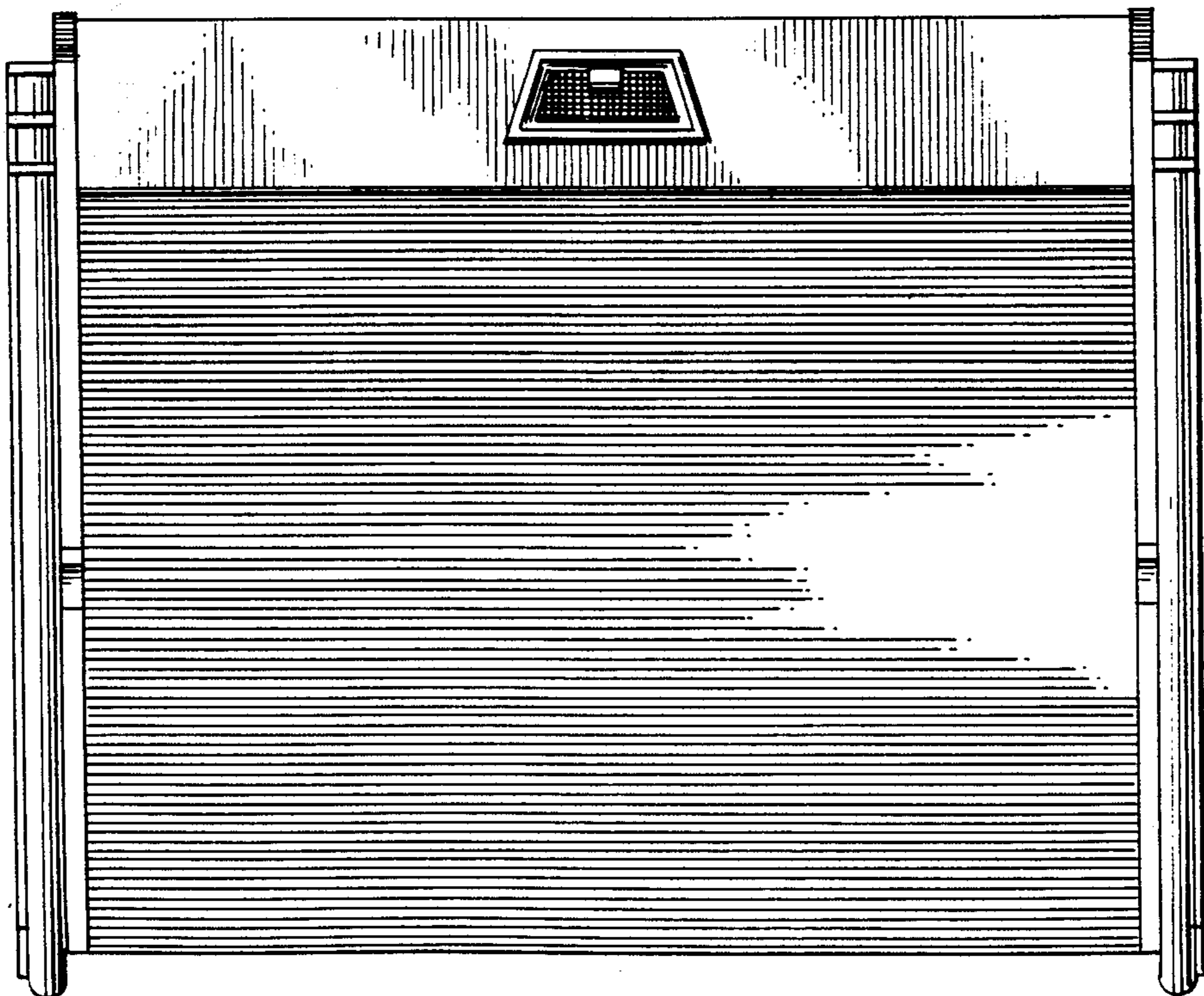


FIG. 5.

