

[54] FAUCET SET

[75] Inventor: Stanley M. Paul, Rye, N.Y.

[73] Assignee: Paul Associates Inc., Long Island City, N.Y.

[**] Term: 14 Years

[21] Appl. No.: 488,579

[22] Filed: Apr. 25, 1983

[52] U.S. Cl. D23/25

[58] Field of Search D23/23-32;
4/191, 192; 137/606, 801; 251/155

[56] References Cited

U.S. PATENT DOCUMENTS

- D. 149,388 4/1978 Stratmoro D23/24
- D. 265,229 6/1982 Paul D23/25
- D. 265,230 6/1982 Paul D23/25

- D. 265,231 6/1982 Paul D23/25
- D. 271,513 11/1983 Paul D23/23
- D. 271,514 11/1983 Paul D23/25
- D. 271,704 12/1983 Paul D23/23
- 4,290,445 9/1981 Turner 137/606 X

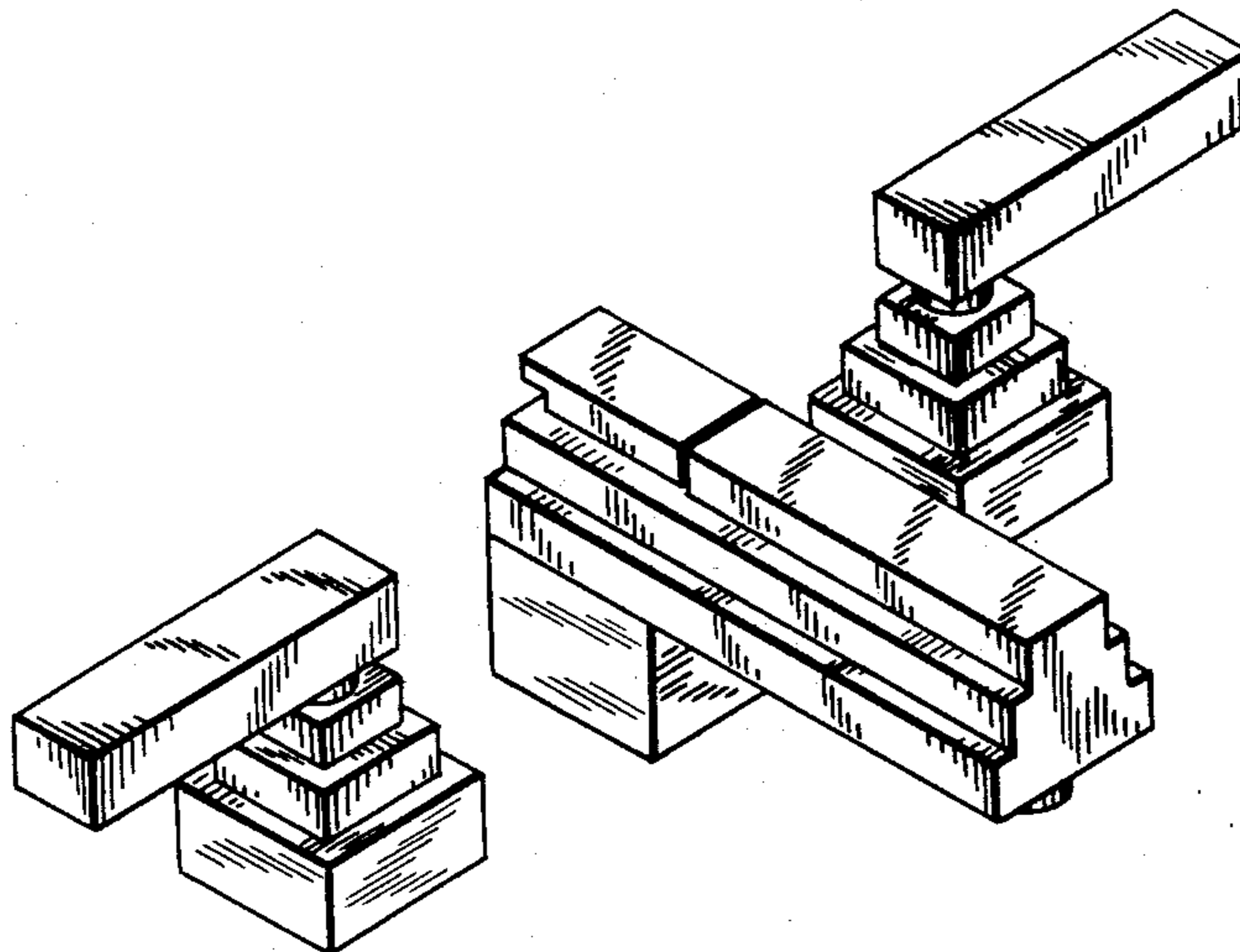
Primary Examiner—James R. Largen
Attorney, Agent, or Firm—Blum, Kaplan, Friedman,
Silberman & Beran

[57] CLAIM

The ornamental design for a faucet set, as shown.

DESCRIPTION

FIG. 1 is a front perspective view of a faucet set showing my new design;
 FIG. 2 is a top plan view thereof;
 FIG. 3 is a front elevational view thereof;
 FIG. 4 is a side elevational view thereof;
 FIG. 5 is a rear elevational view thereof; and
 FIG. 6 is a bottom plan view thereof.



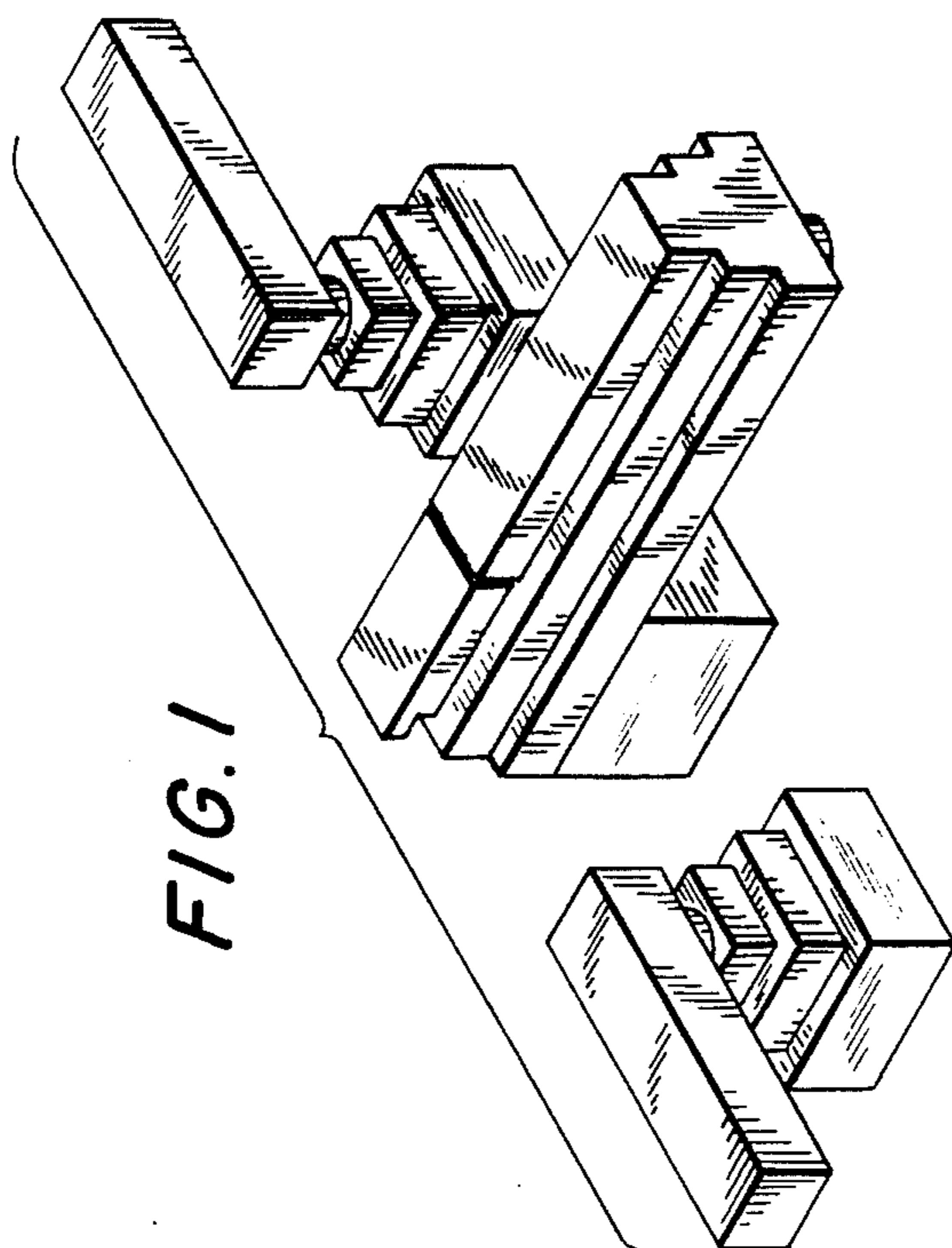
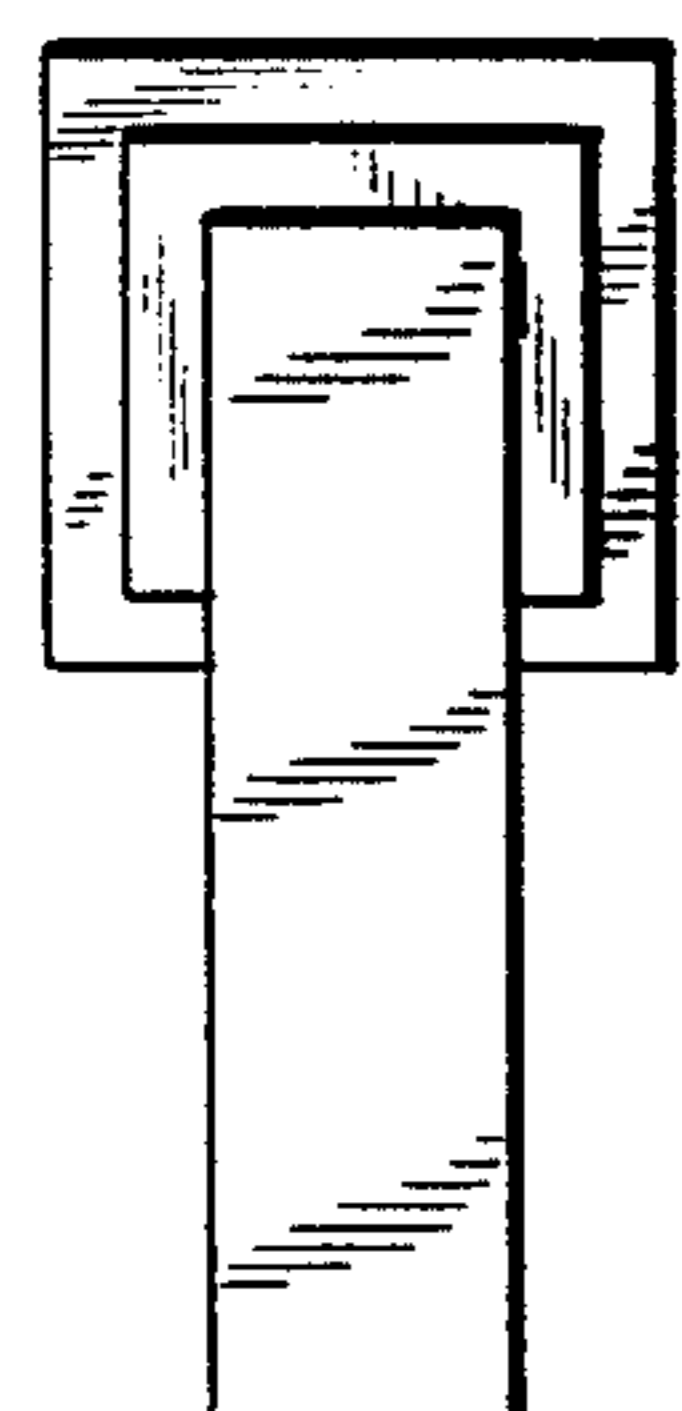
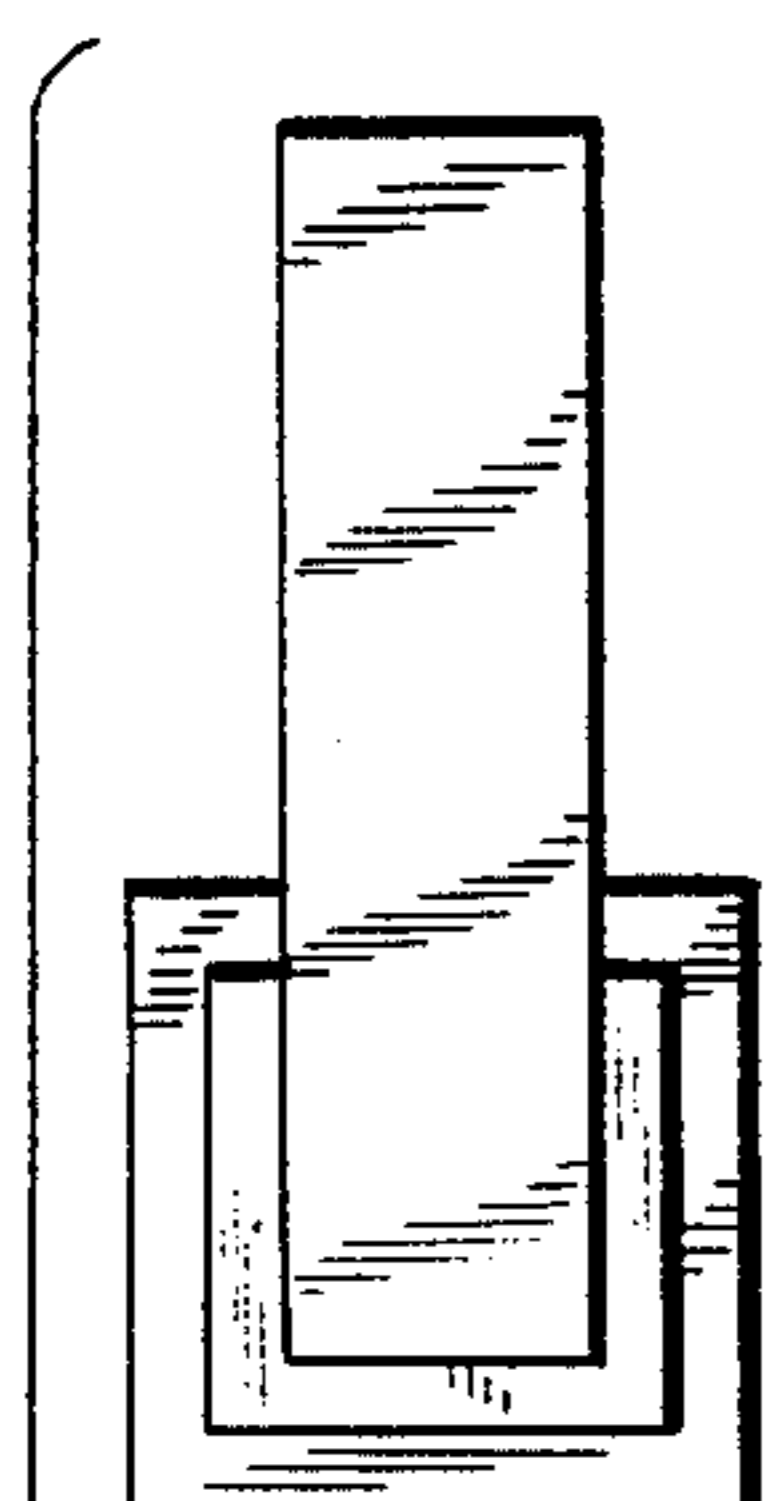


FIG. 2

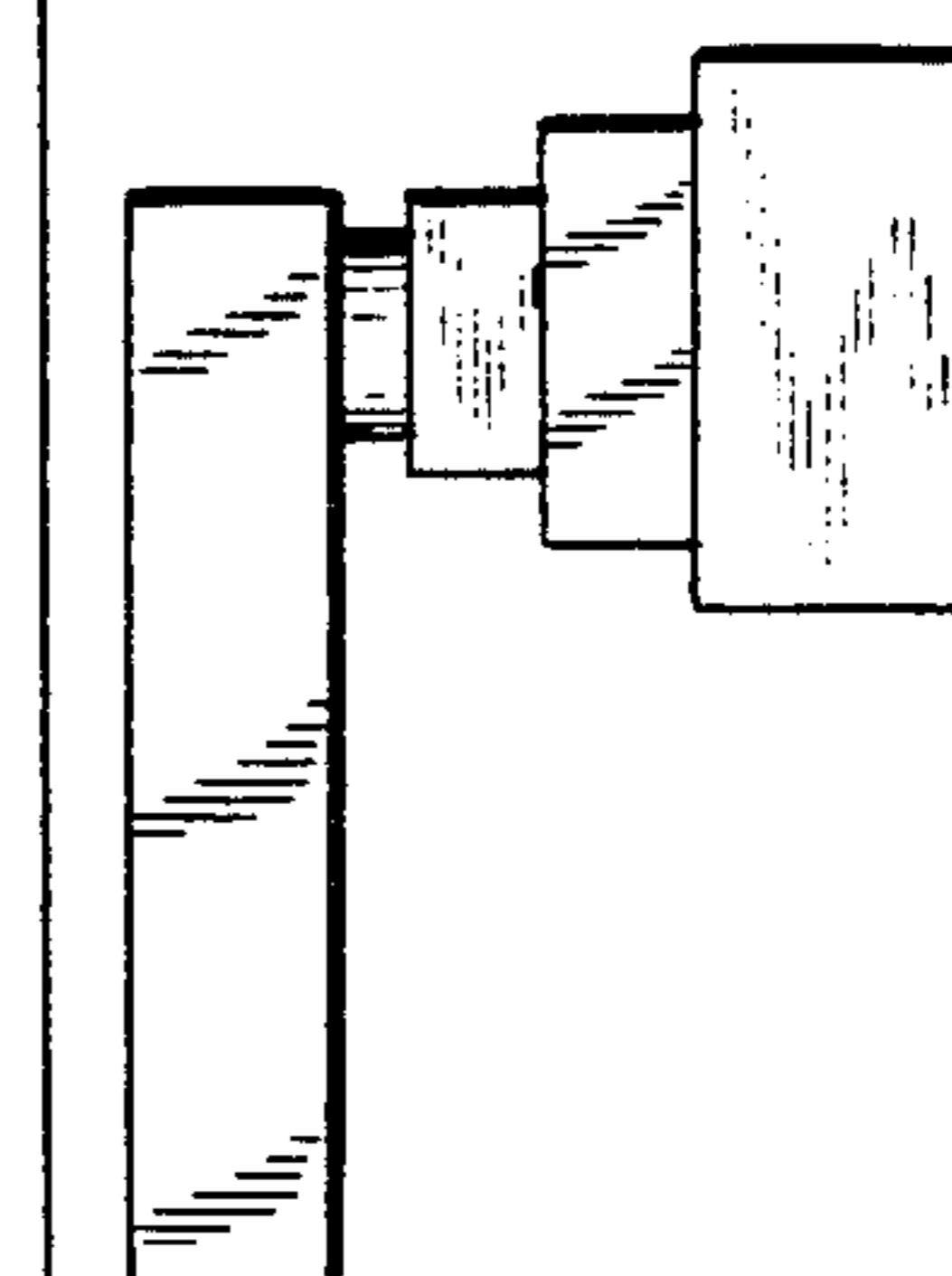


FIG. 3

FIG. 1

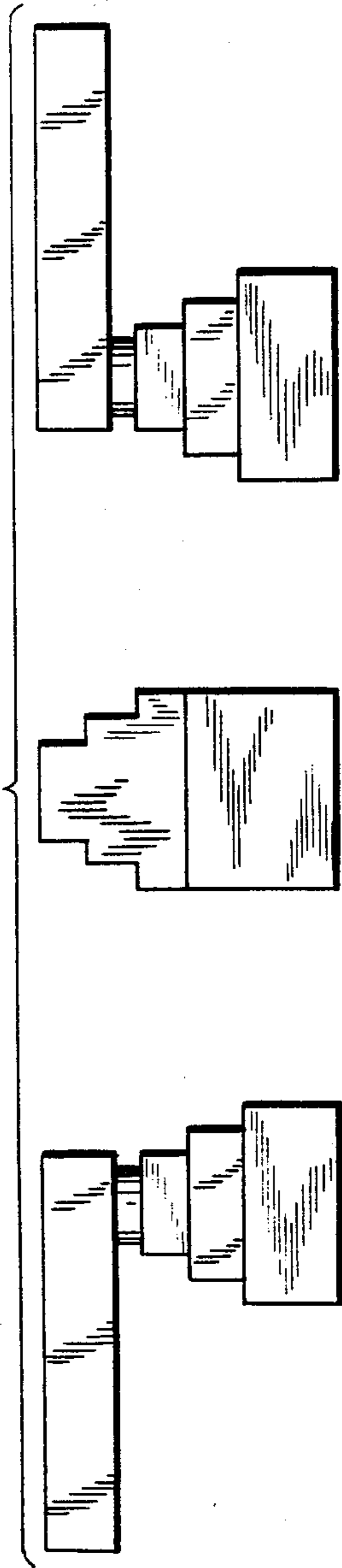


FIG. 5



FIG. 4

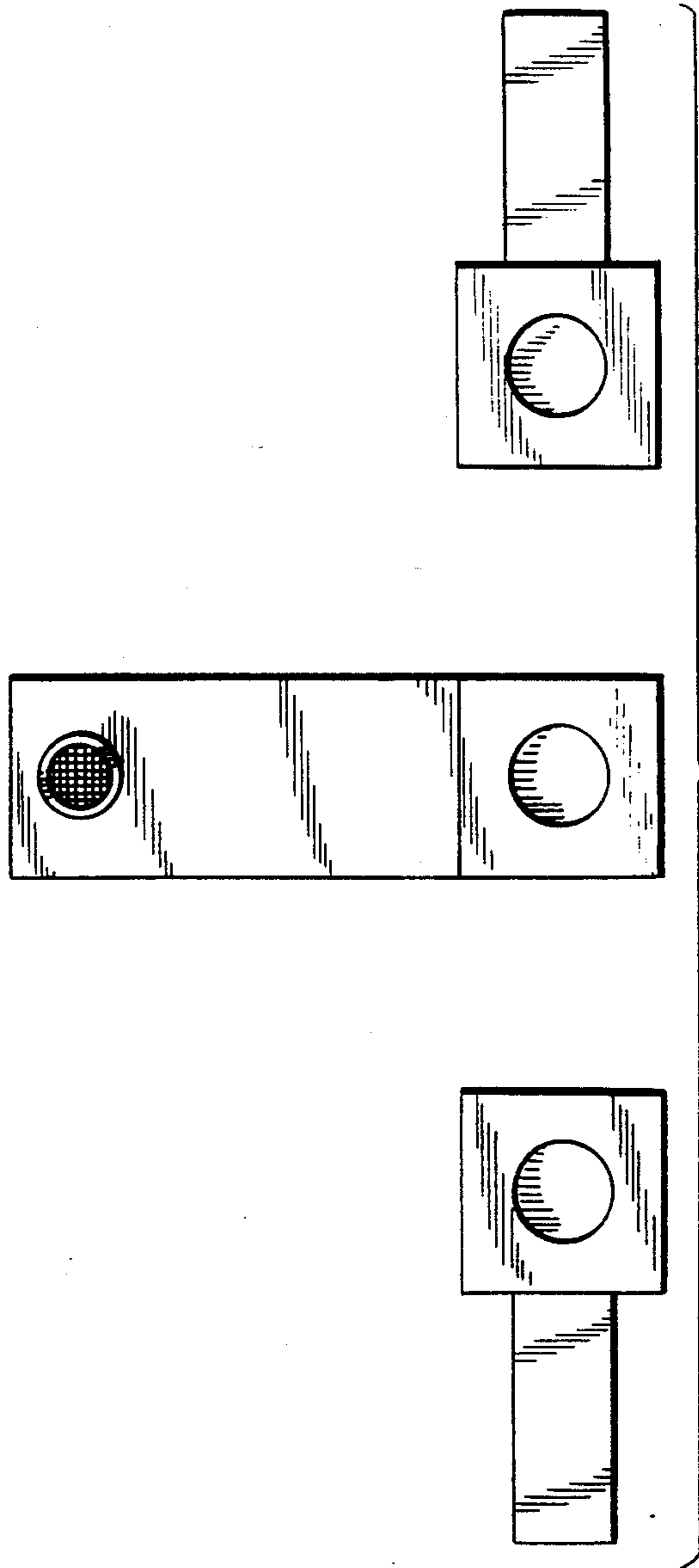


FIG. 6