

[54] WATERING CAN

[75] Inventor: Arthur R. Carlson, Melbourne, Australia

[73] Assignee: Brian Davis and Company Proprietary Limited, Scoresby, Australia

[**] Term: 14 Years

[21] Appl. No.: 490,309

[22] Filed: May 2, 1983

[30] Foreign Application Priority Data

Mar. 22, 1983 [AU] Australia 3300/83

[52] U.S. Cl. D23/11

[58] Field of Search D23/11; D32/53; D7/312, D7/318, 320; 239/375-379, 391, 392; 222/565, 567, 572, 573

[56] References Cited

U.S. PATENT DOCUMENTS

D. 241,032 8/1976 Burke et al. D23/11

D. 256,152 7/1980 Darnell D23/11
D. 266,018 8/1982 Dilyard D23/11
453,530 6/1891 Baker et al. 239/391 X
1,702,523 2/1929 Schafer 239/377
3,648,933 3/1972 Grotz 239/377

FOREIGN PATENT DOCUMENTS

569473 8/1958 Belgium 239/377
845467 8/1960 United Kingdom 239/377

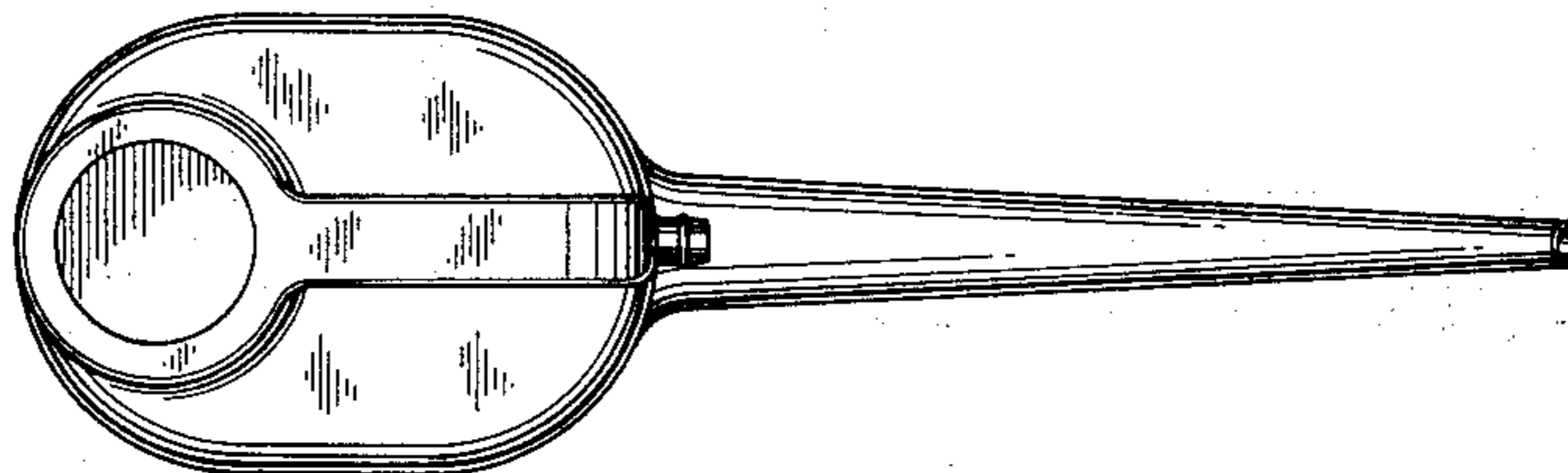
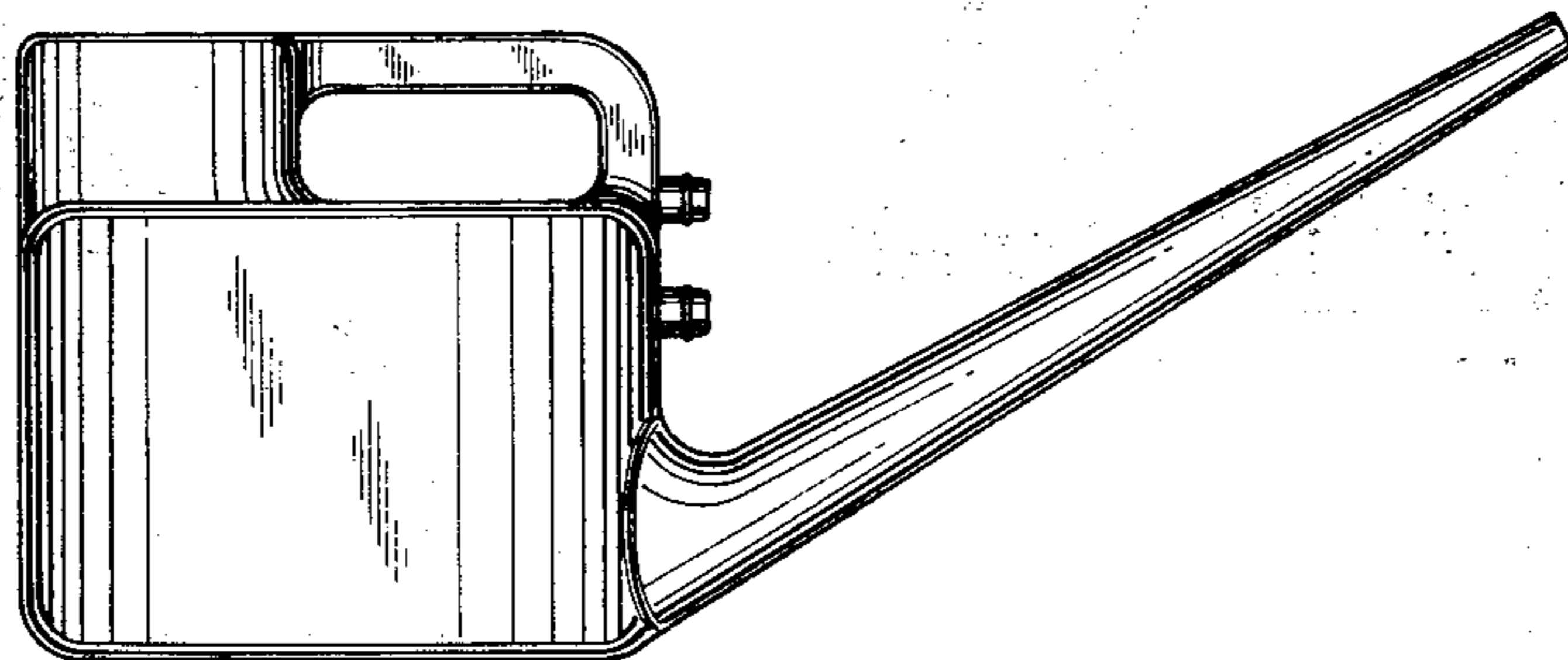
Primary Examiner—James R. Largen
Attorney, Agent, or Firm—Trexler, Bushnell & Wolters, Ltd.

[57] CLAIM

The ornamental design for a watering can, as shown and described.

DESCRIPTION

FIG. 1 is a left side elevational view of a watering can showing my new design, the right side being a mirror image of the left side shown;
FIG. 2 is a top plan view thereof;
FIG. 3 is a front elevational view thereof; and
FIG. 4 is a rear elevational view thereof.



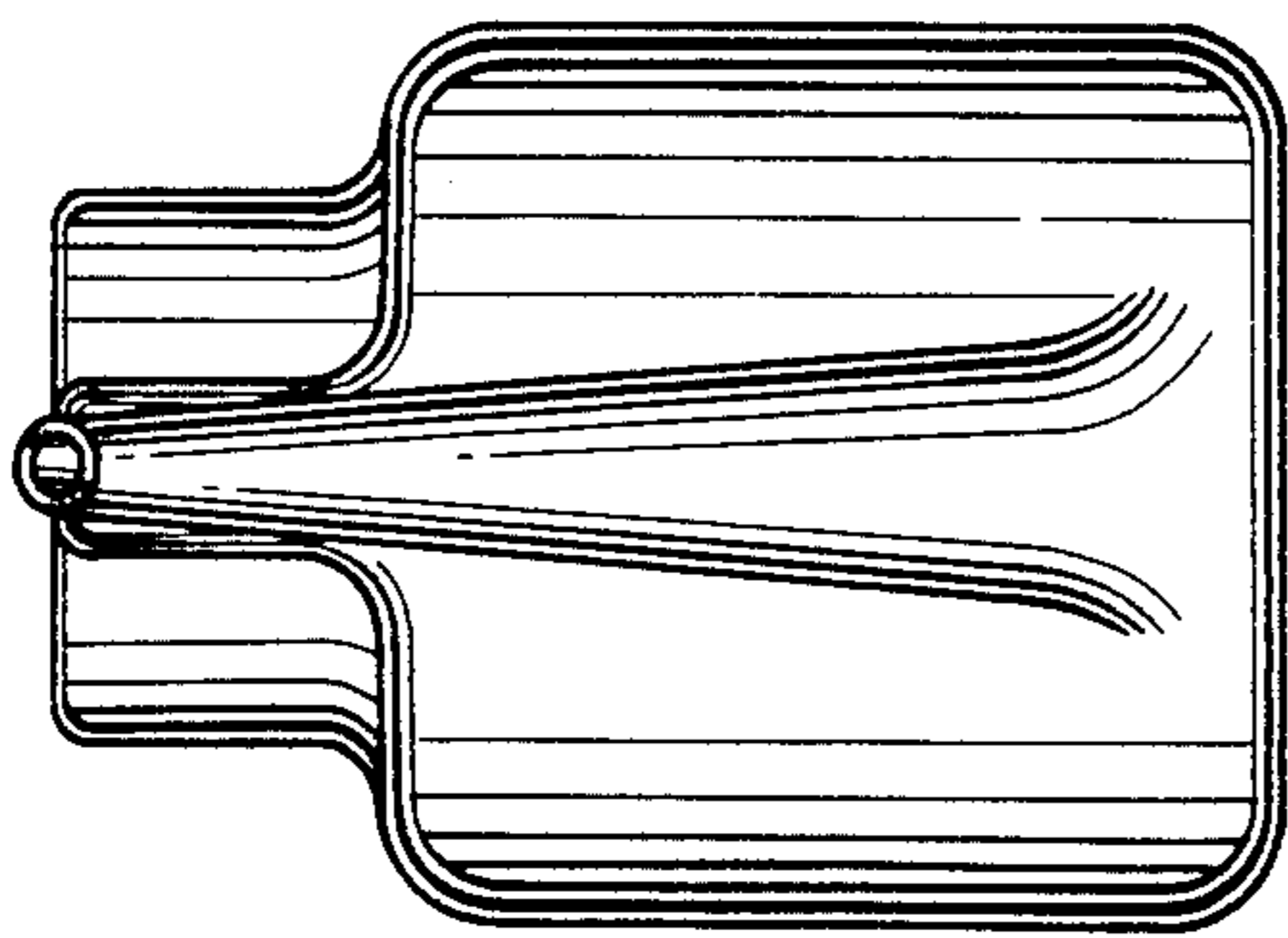


FIG. 3

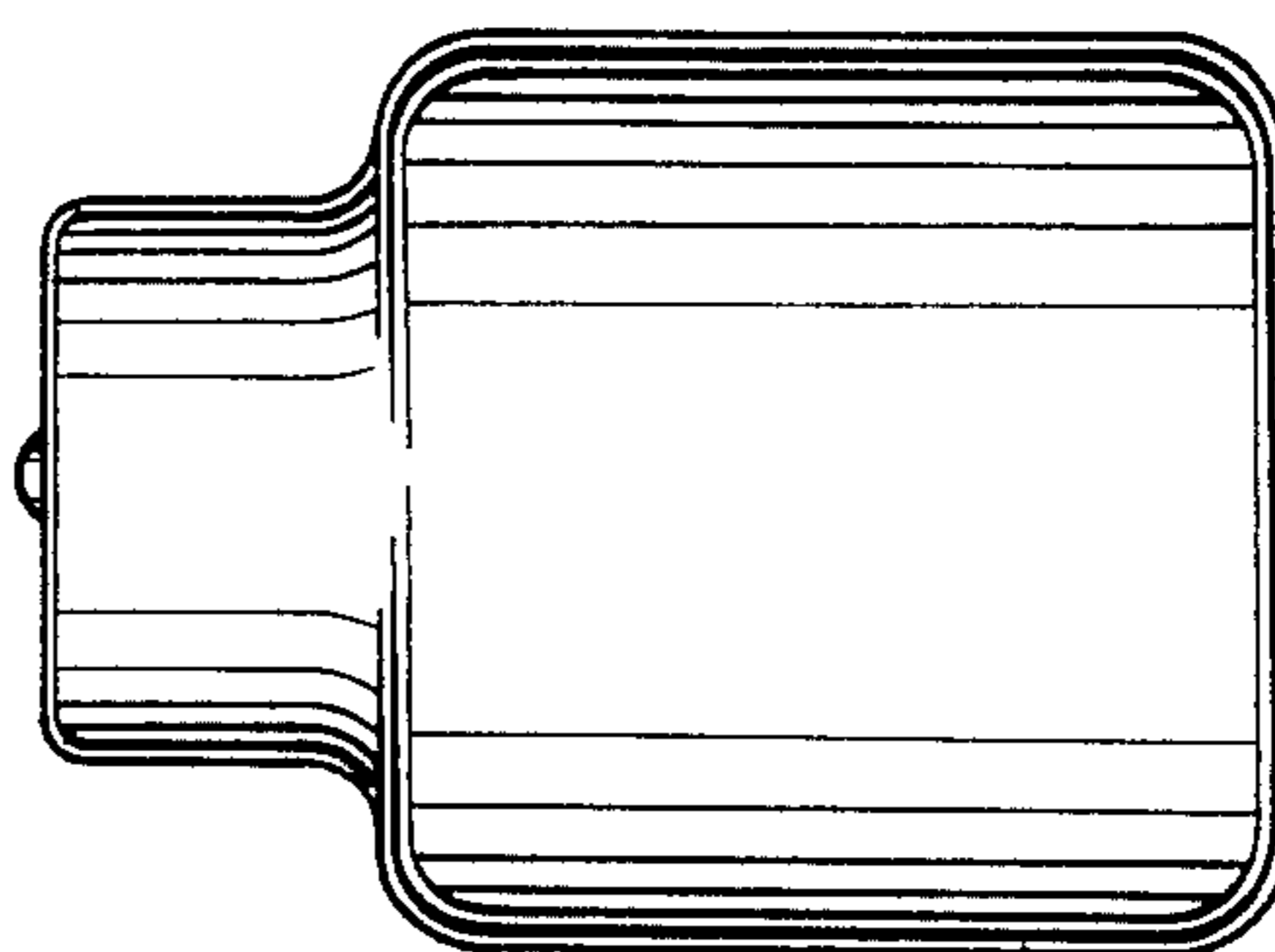


FIG. 4

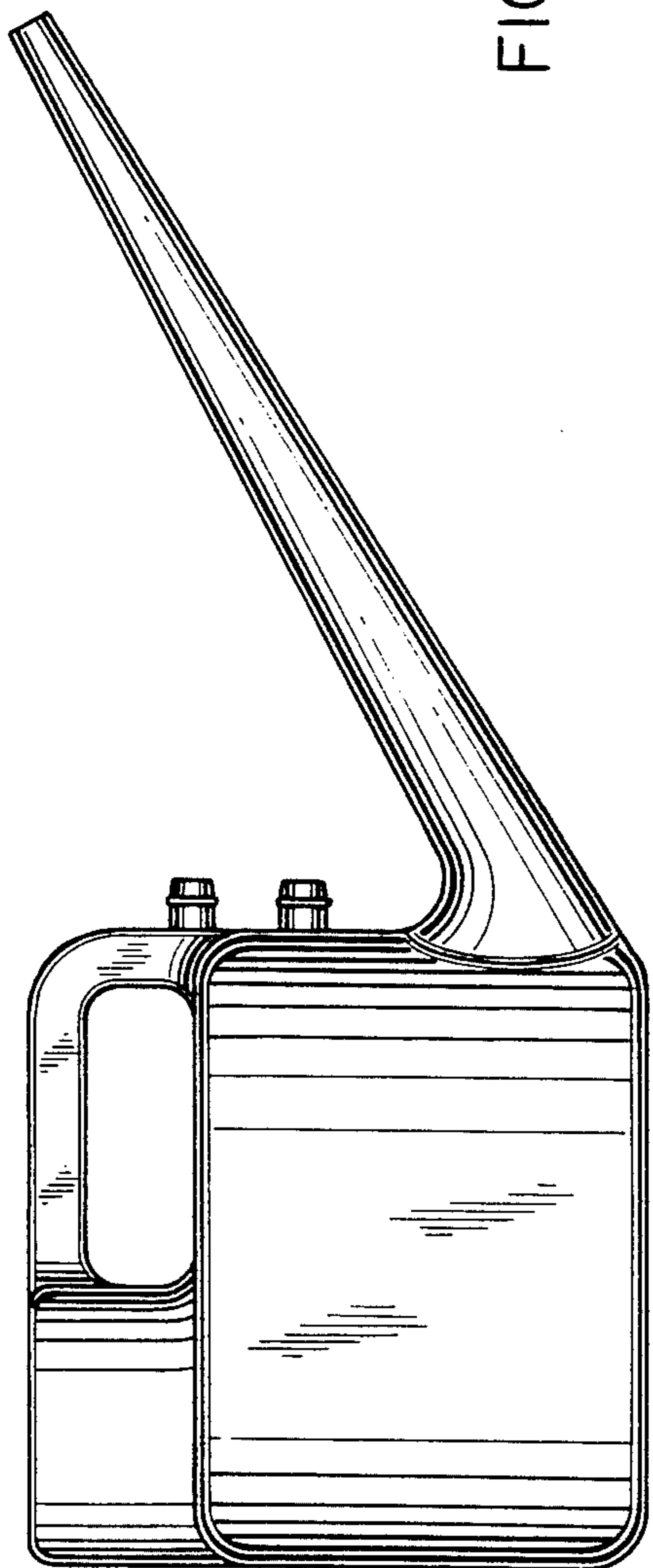


FIG. 1

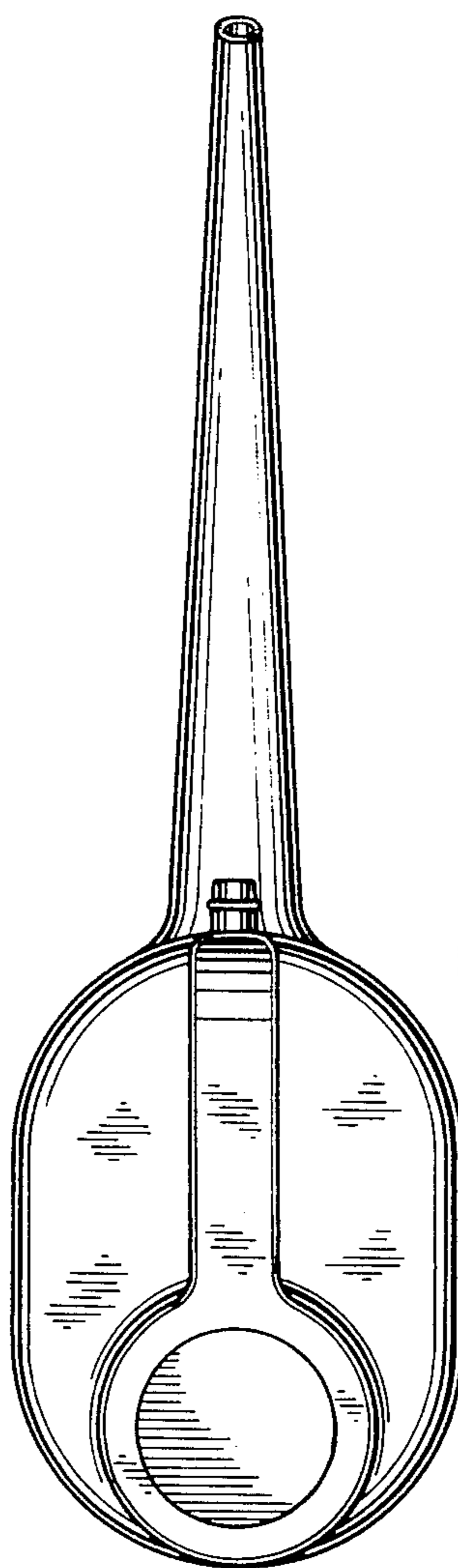


FIG. 2