

[54] **TOY TYPEWRITER**

[75] Inventor: **Pietro Catelli, Como, Italy**

[73] Assignee: **Artsana S.P.A., Italy**

[\*\*] Term: **14 Years**

[21] Appl. No.: **518,154**

[22] Filed: **Jul. 28, 1983**

[52] U.S. Cl. .... **D21/127; D18/1**

[58] Field of Search ..... **D21/59, 109, 127;**  
**D18/1, 4; 446/8, 10, 13, 143**

[56] **References Cited**

**U.S. PATENT DOCUMENTS**

D. 182,358 3/1958 Covey ..... D18/1  
D. 216,602 2/1970 Fusco et al. .... D18/1  
D. 230,201 1/1974 Gold et al. .... D18/1

D. 254,319 2/1980 Shiraishi ..... D18/1  
D. 271,596 11/1983 Collison ..... D21/127

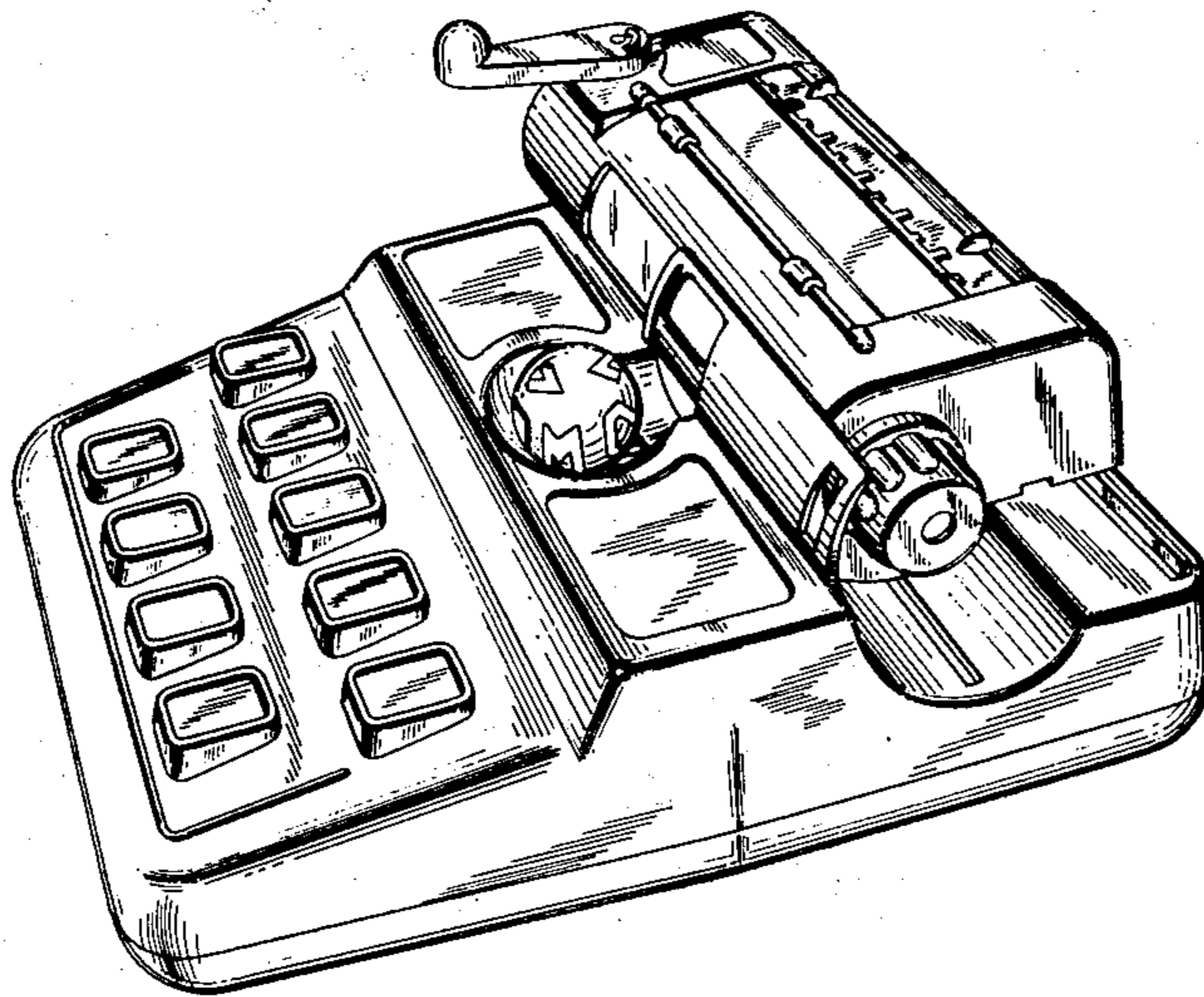
*Primary Examiner*—Charles A. Rademaker  
*Attorney, Agent, or Firm*—Steinberg & Raskin

[57] **CLAIM**

The ornamental design for a toy typewriter, as shown and described.

**DESCRIPTION**

FIG. 1 is a perspective view of a toy typewriter showing my new design;  
FIG. 2 is a top plan view thereof;  
FIG. 3 is a front elevational view thereof;  
FIG. 4 is a left side elevational view thereof, the right side elevational view being a substantial mirror image thereof;  
FIG. 5 is a rear elevational view thereof; and  
FIG. 6 is a bottom plan view thereof.



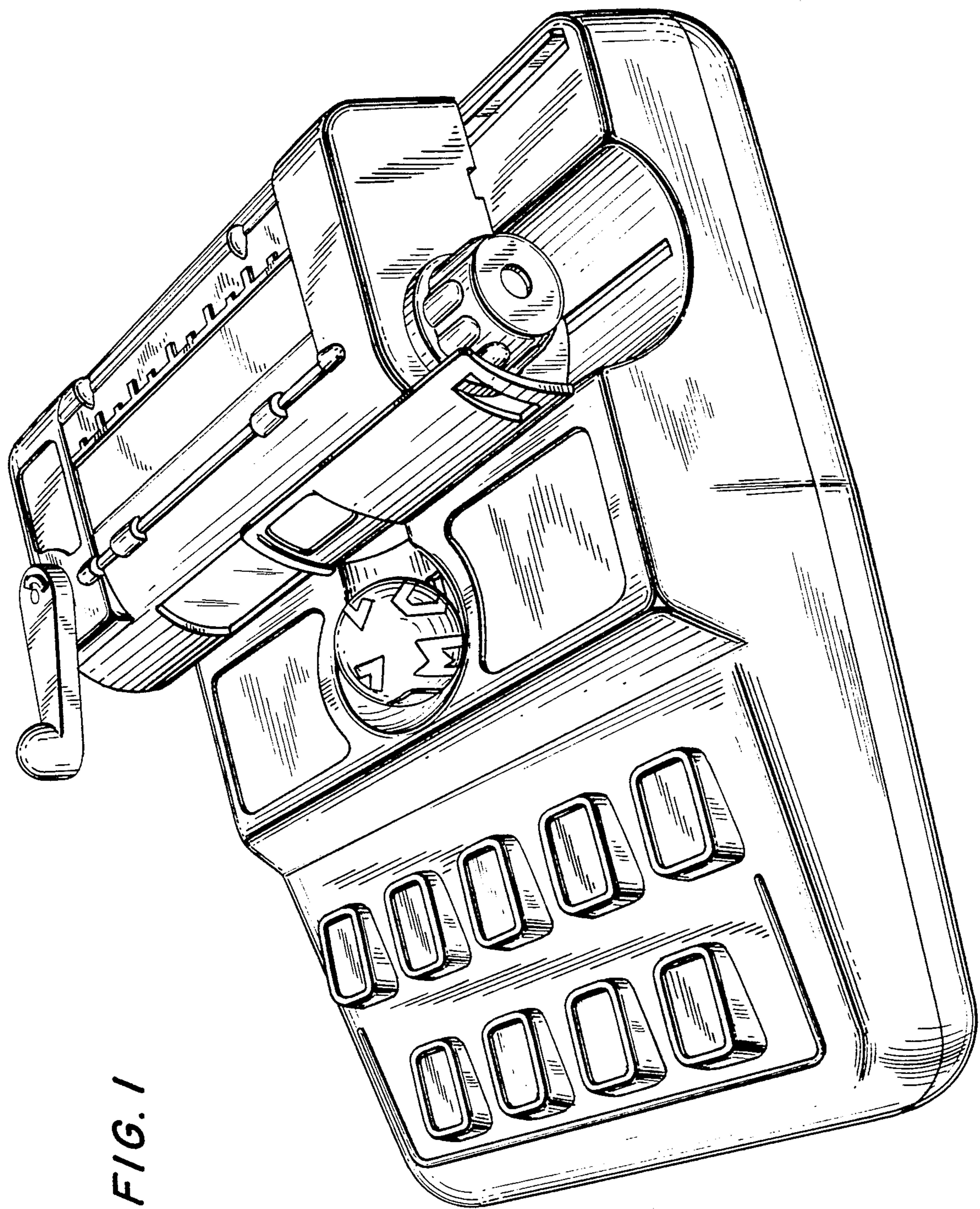


FIG. 1

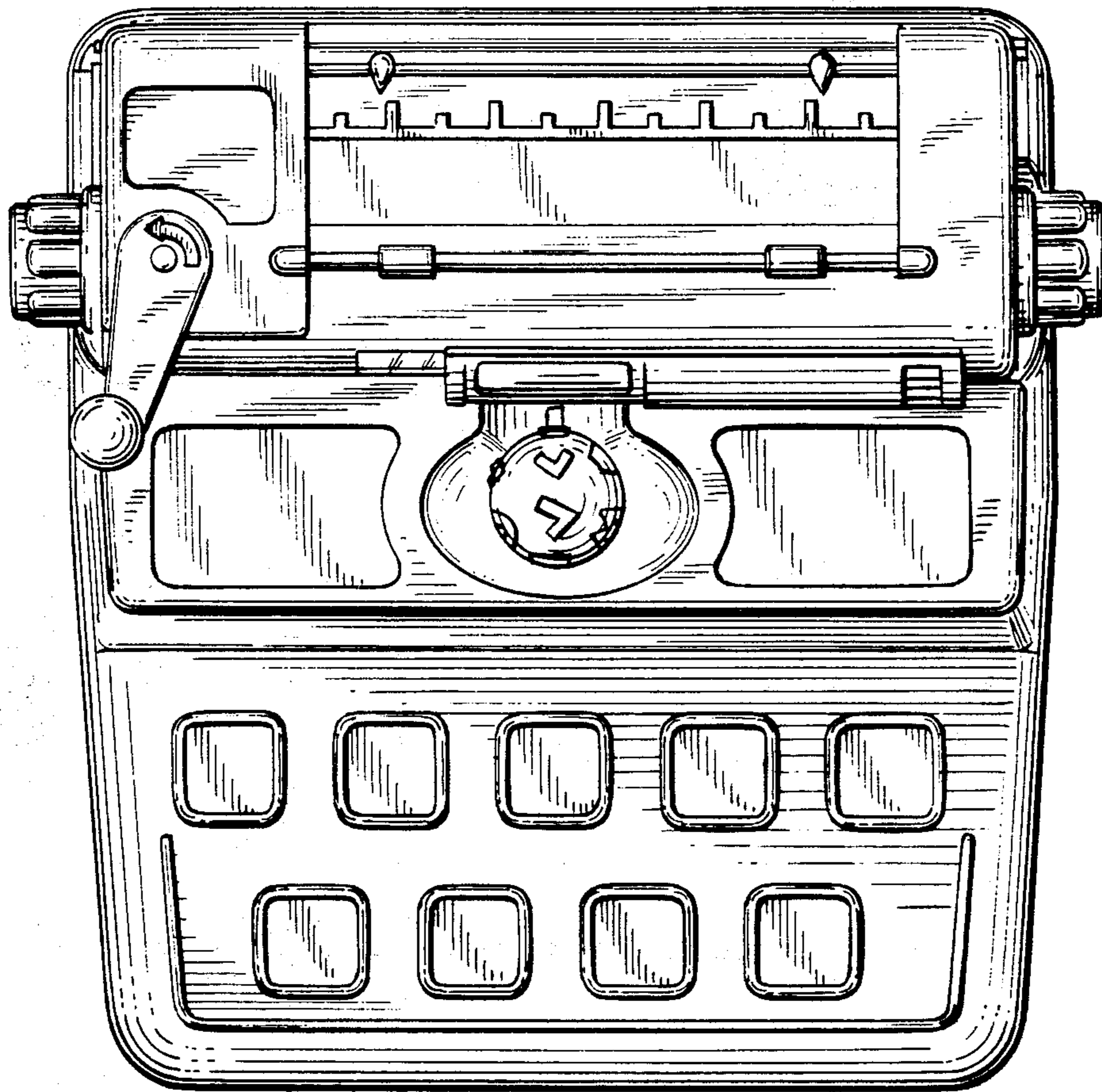
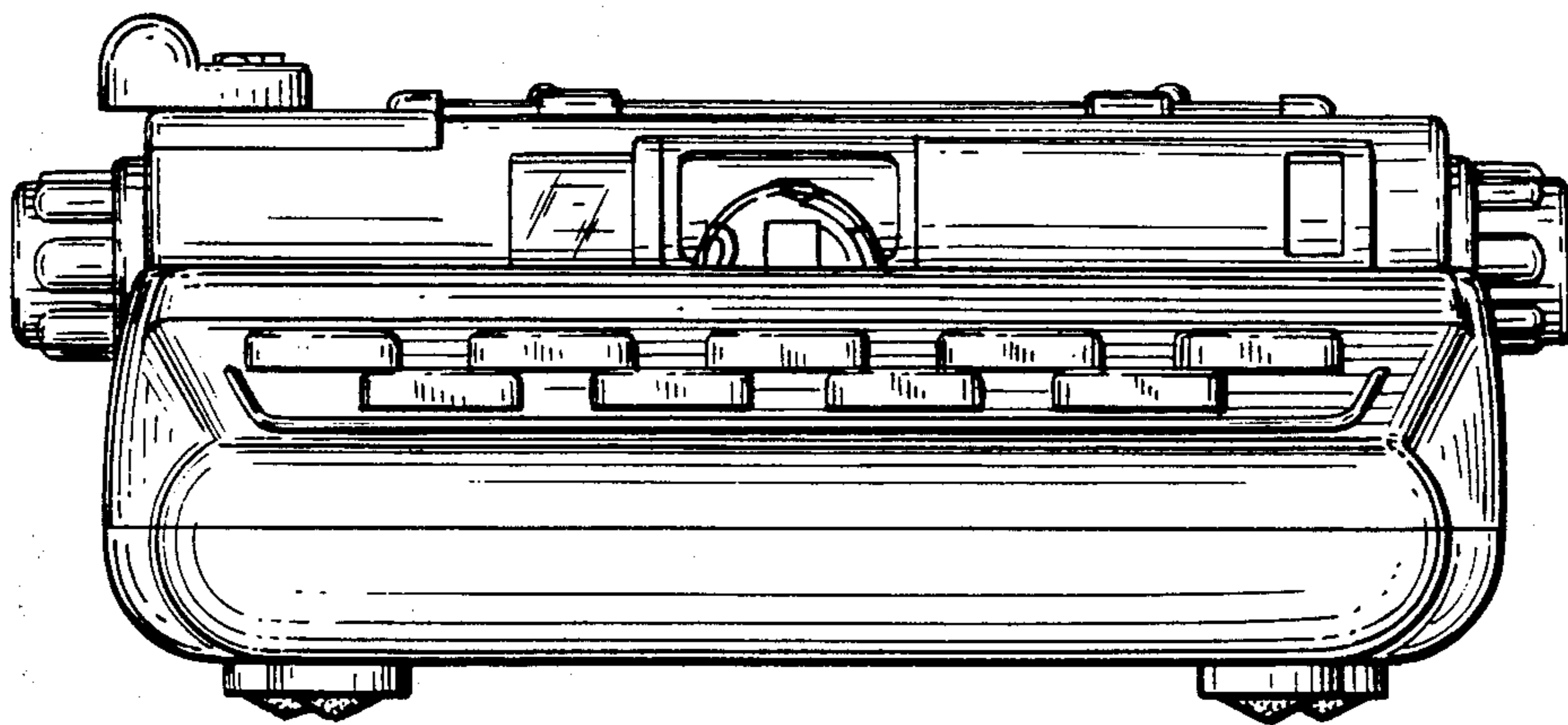


FIG. 2

FIG. 3



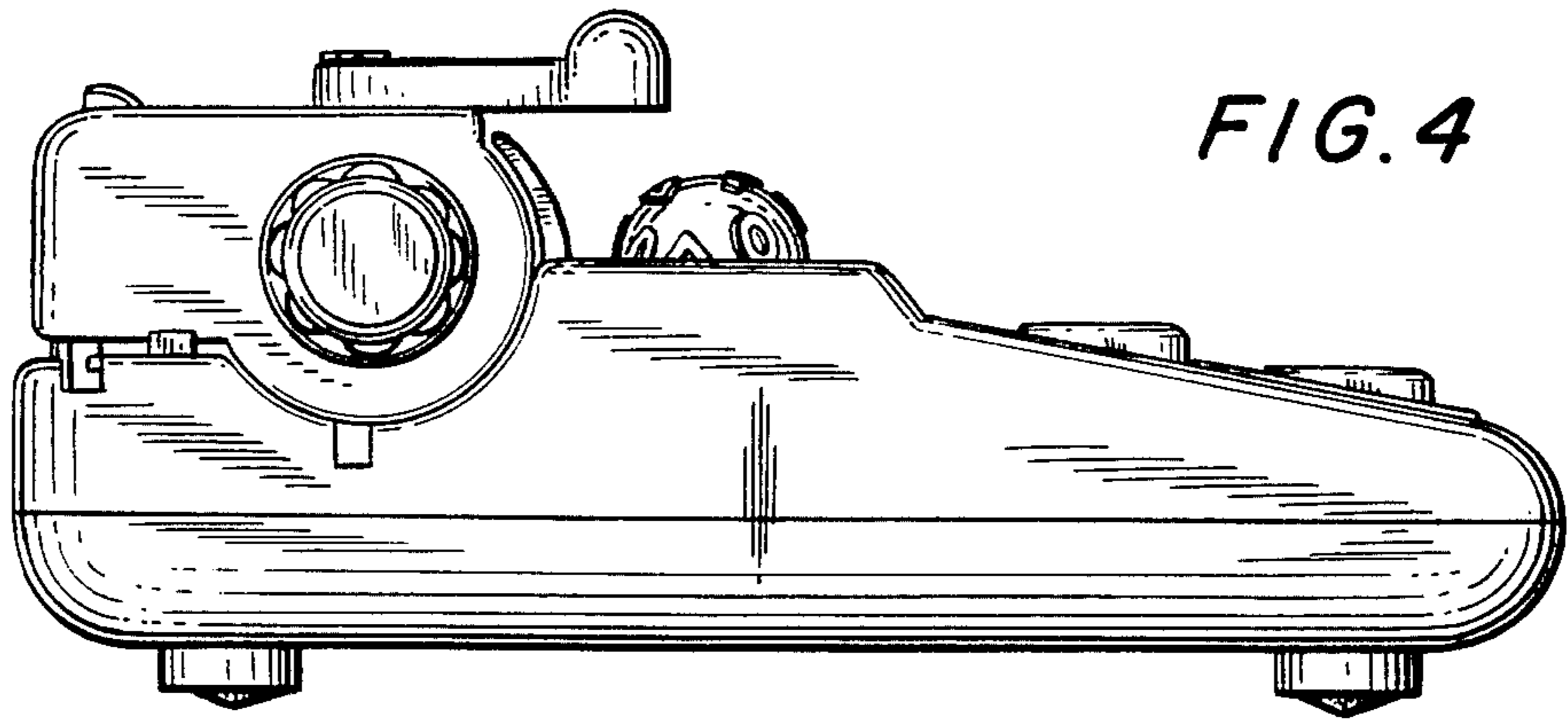


FIG. 4

FIG. 5

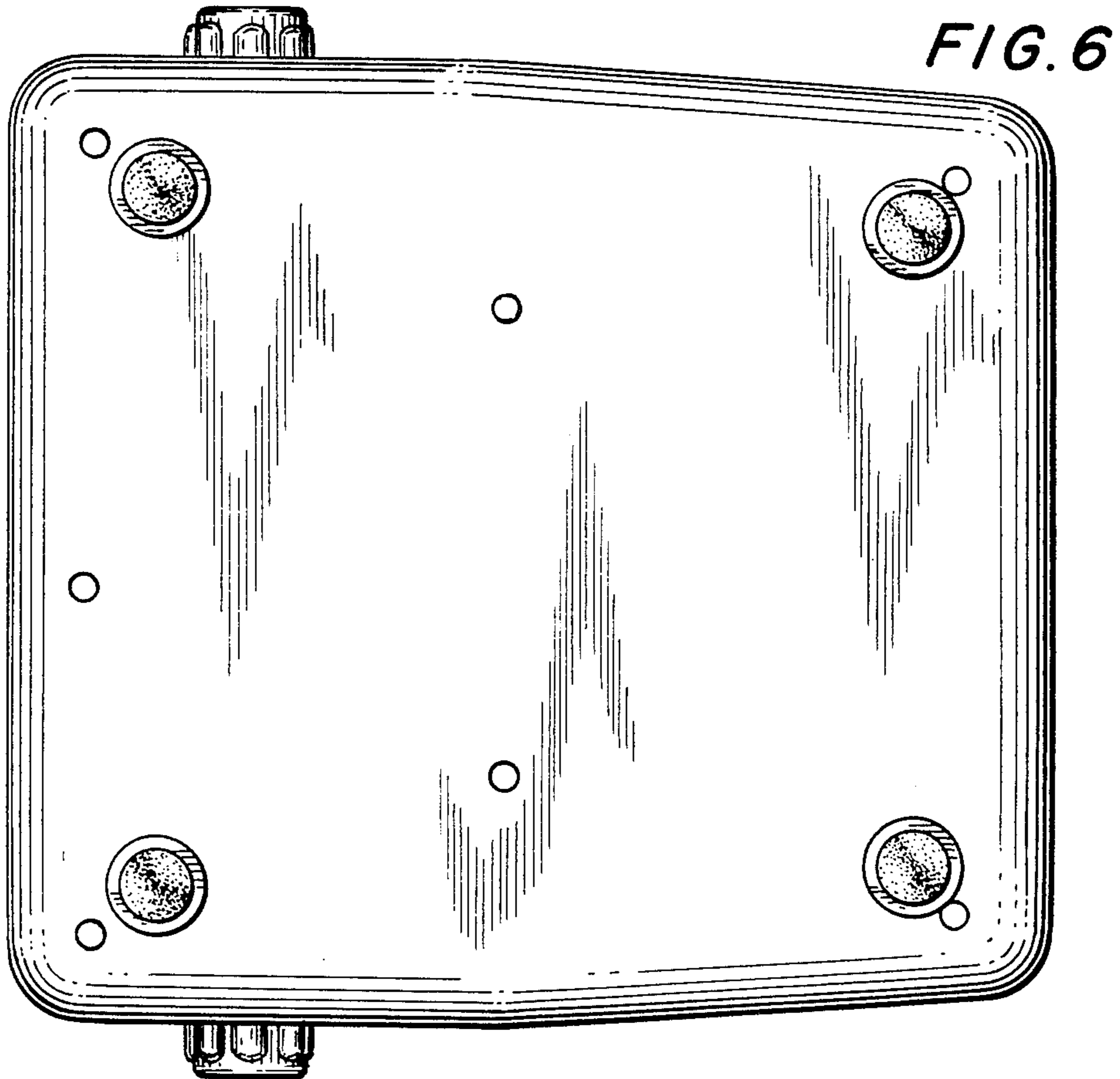
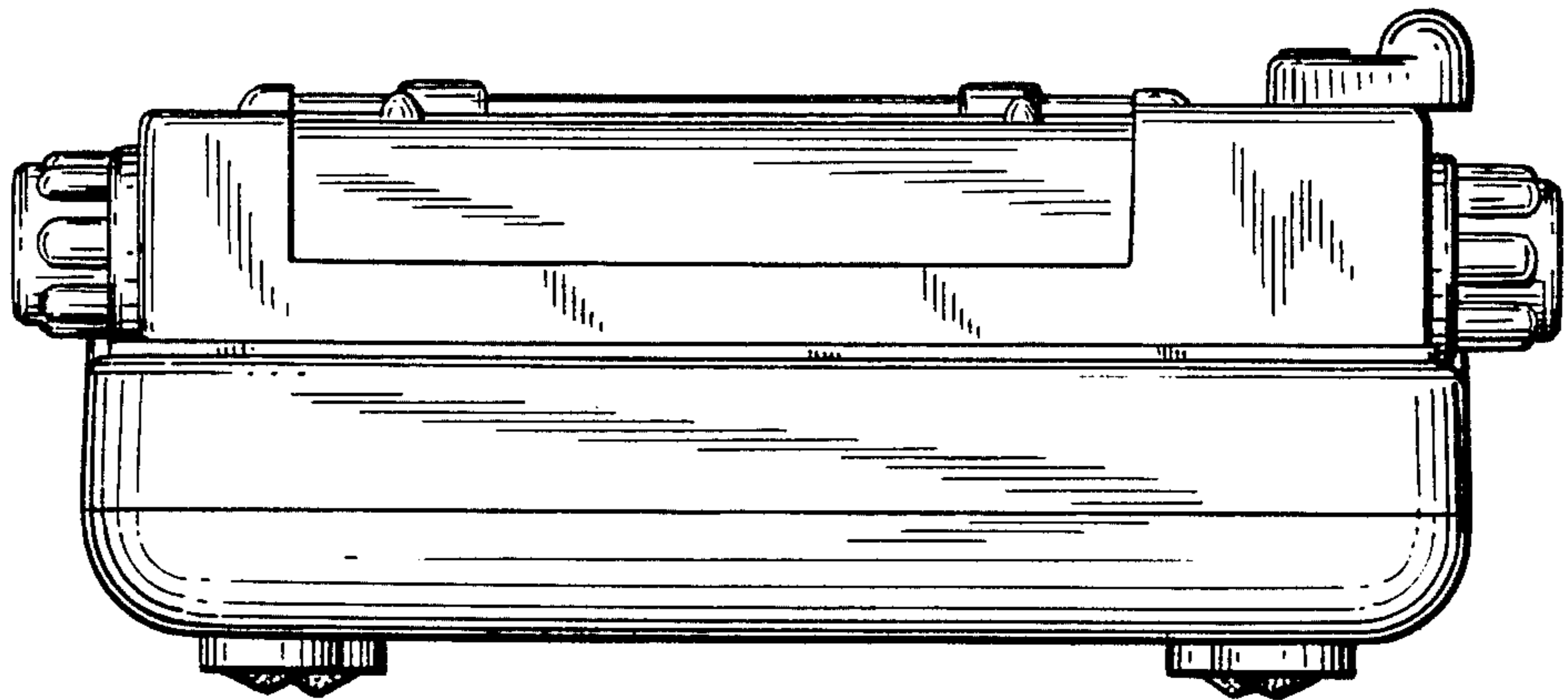


FIG. 6