

[54] TOY CASH REGISTER

[75] Inventor: Pietro Catelli, Como, Italy

[73] Assignee: Artsana S.P.A., Italy

[**] Term: 14 Years

[21] Appl. No.: 518,157

[22] Filed: Jul. 28, 1983

[52] U.S. Cl. D21/124

[58] Field of Search D21/59, 109, 127; 446/8, 10, 13, 143, 475; D18/1, 4

[56] References Cited

U.S. PATENT DOCUMENTS

D. 211,806	7/1968	Genin	D21/124
D. 256,818	9/1980	Shiraishi	D21/124
3,497,991	3/1970	Lewis	446/8
4,295,036	10/1981	Tsui	446/143

OTHER PUBLICATIONS

Sears Toy Catalog, 1980, pg. 563, Item #4, Toy Cash Register.

Casdon Luxury Toy Catalog, 1976, Item #177, "Maxicash".

Primary Examiner—Charles A. Rademaker
Attorney, Agent, or Firm—Steinberg & Raskin

[57] CLAIM

The ornamental design for a toy cash register, as shown and described.

DESCRIPTION

FIG. 1 is a perspective view of a toy cash register showing my new design;

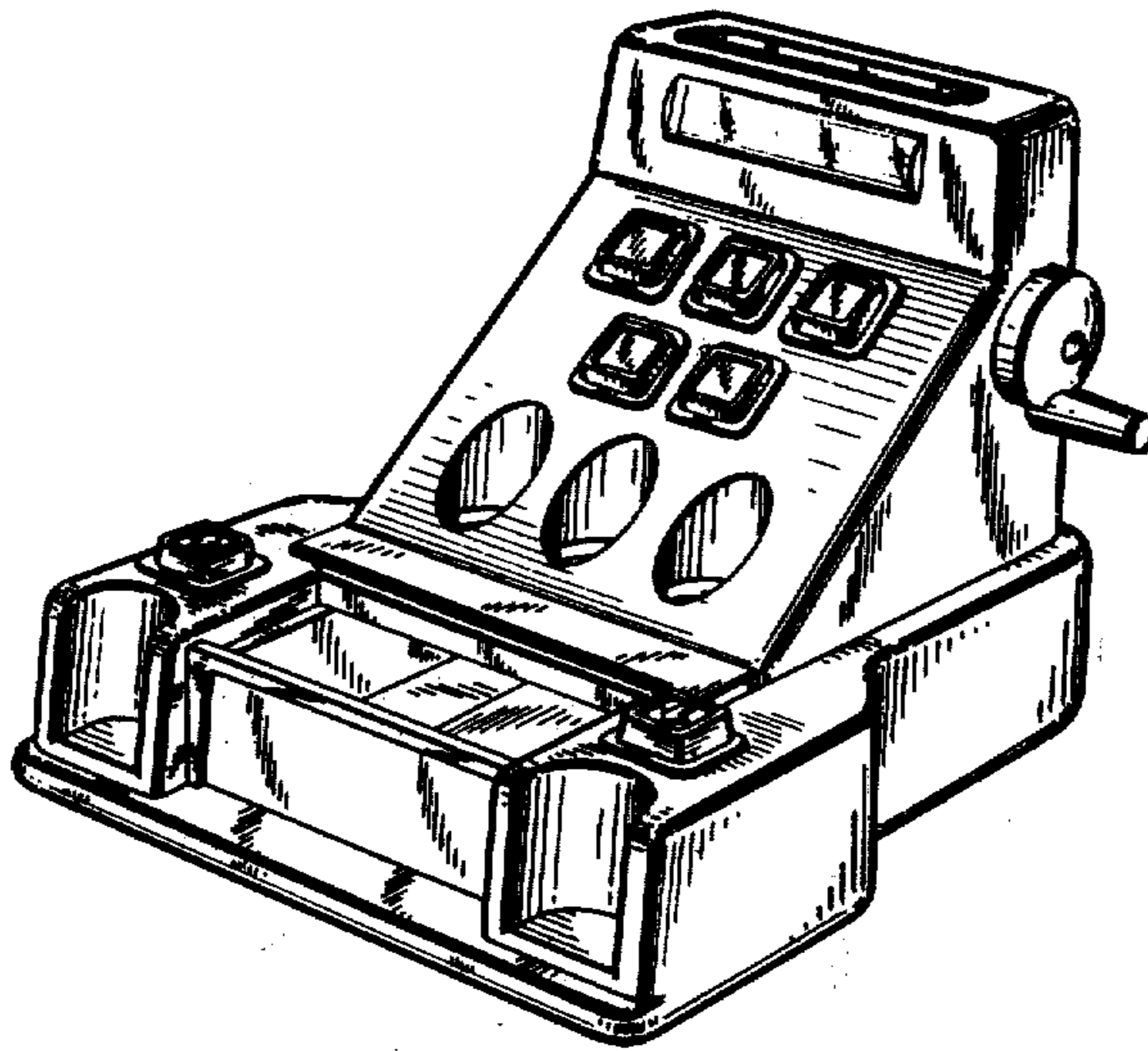
FIG. 2 is a front elevational view thereof;

FIG. 3 is a top plan view thereof;

FIG. 4 is a left side elevational view thereof, the right side elevational view being a substantial mirror image thereof;

FIG. 5 is a rear elevational view thereof; and

FIG. 6 is a bottom plan view thereof.



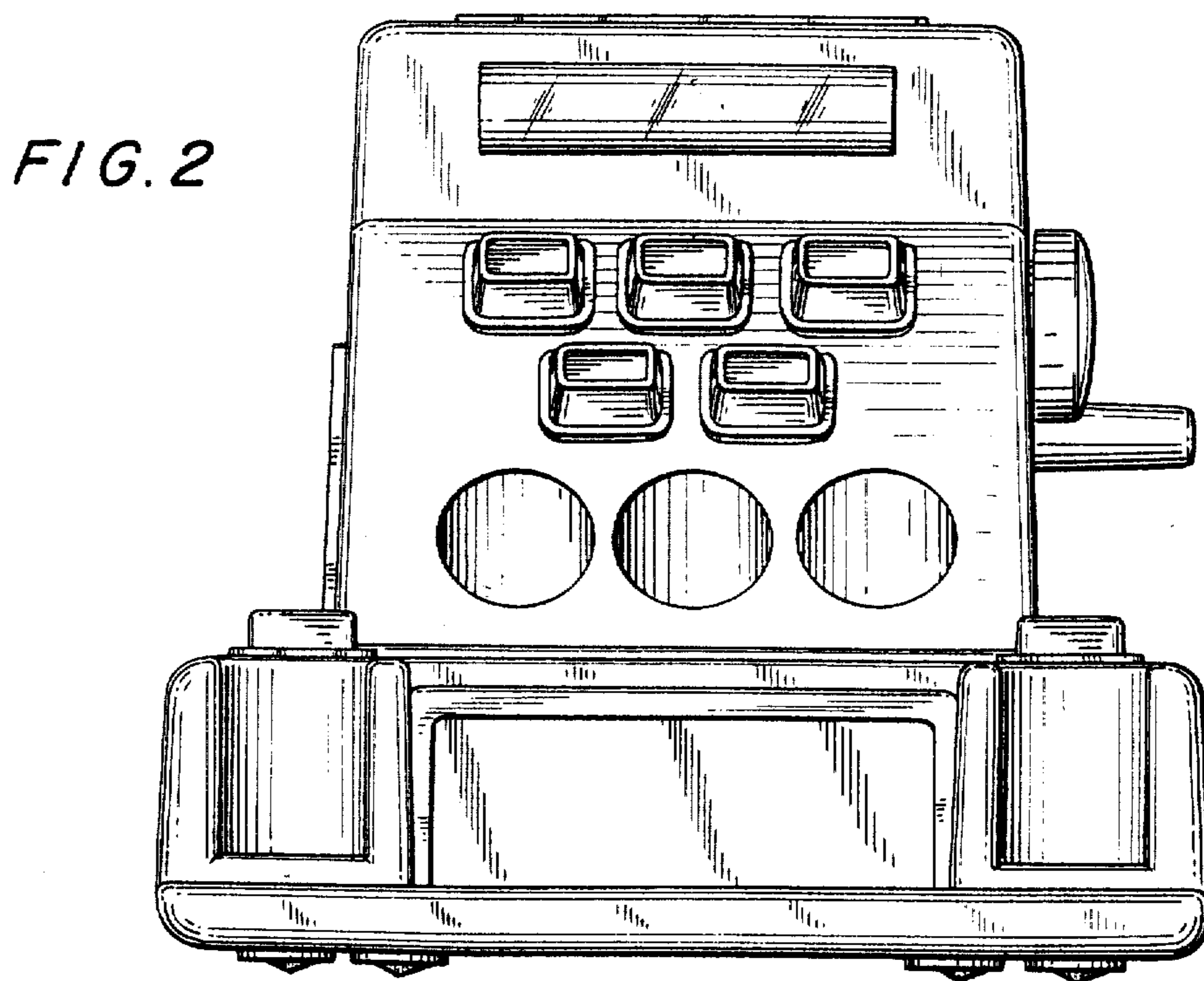
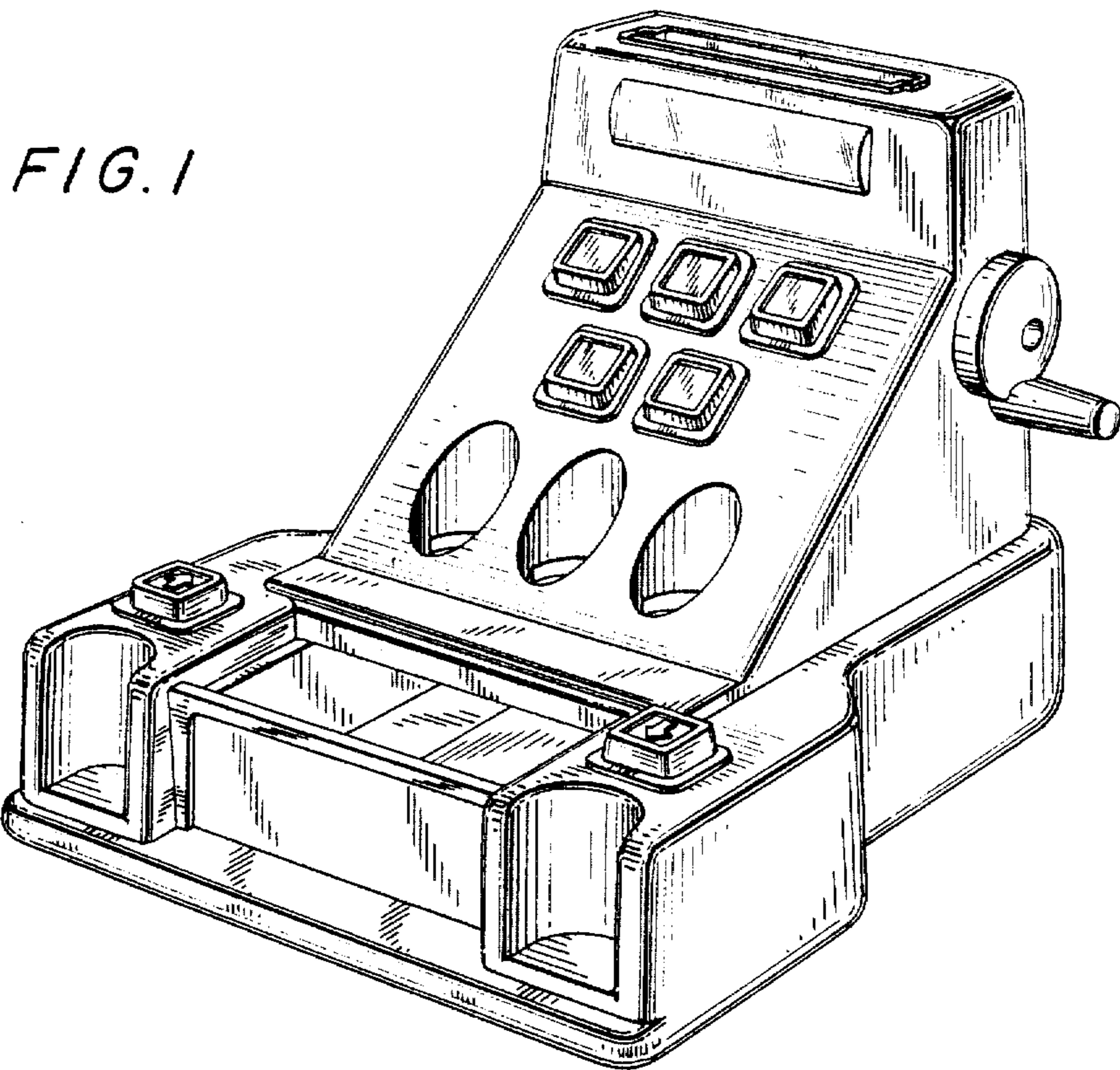


FIG. 3

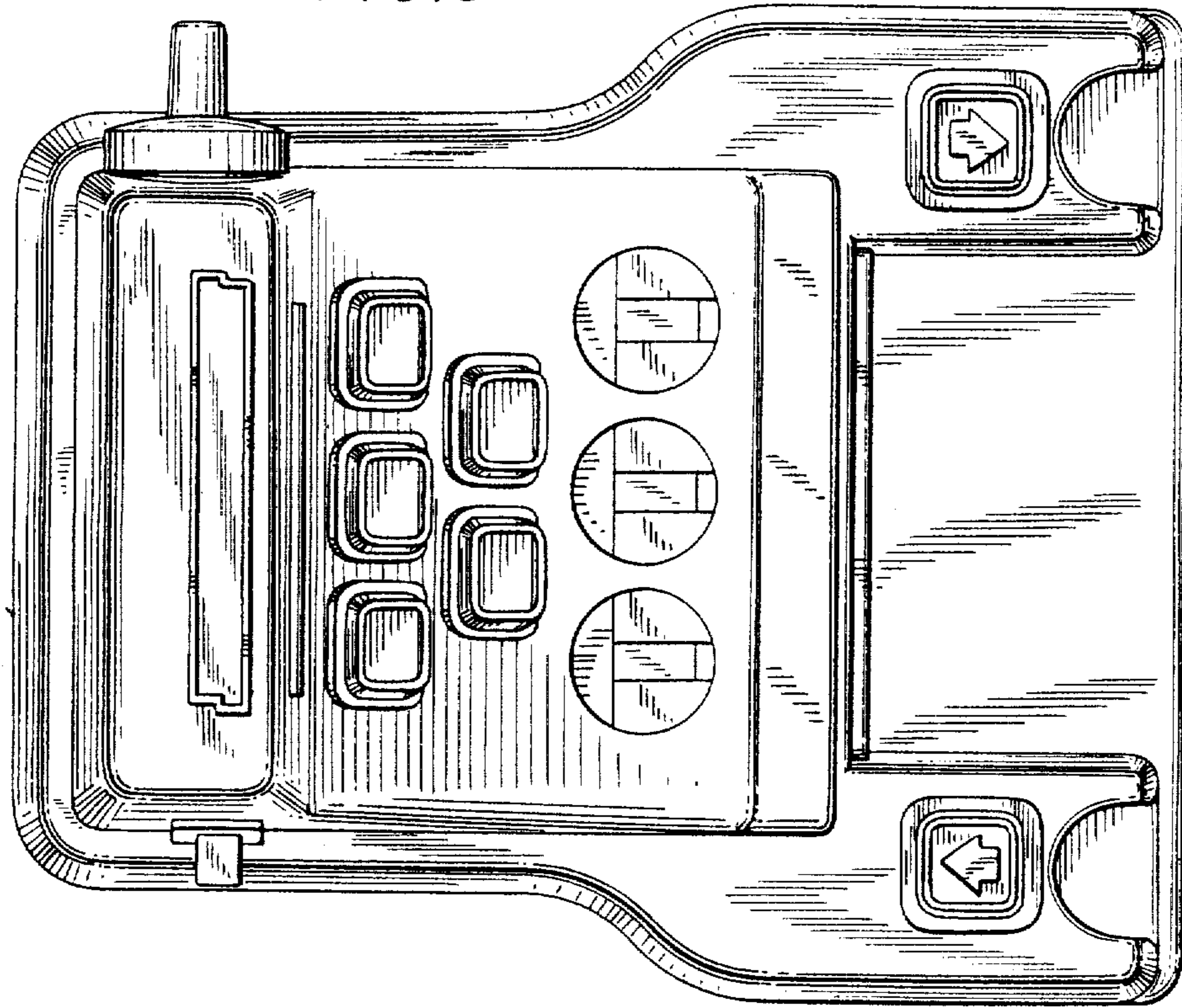


FIG. 4

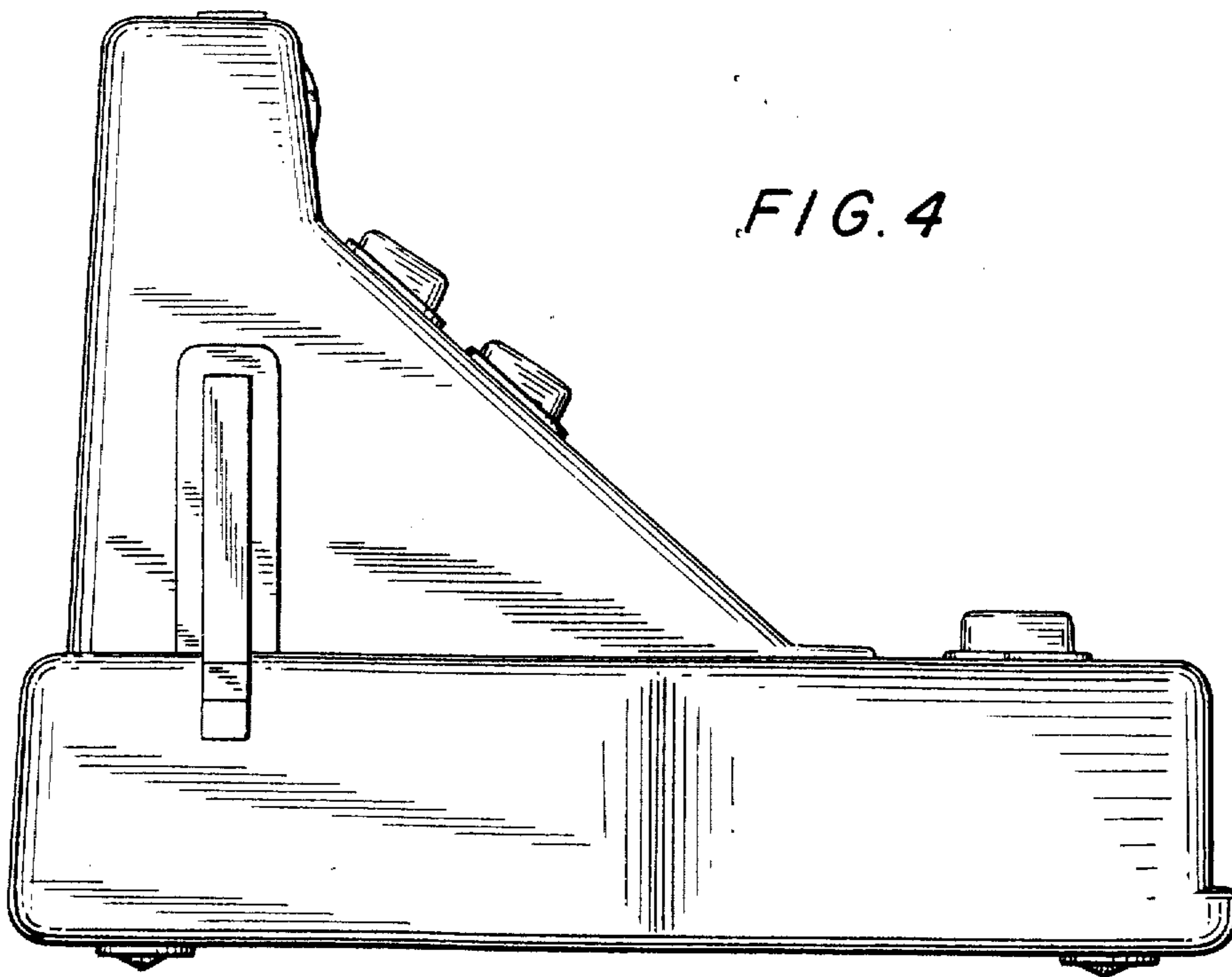


FIG. 5

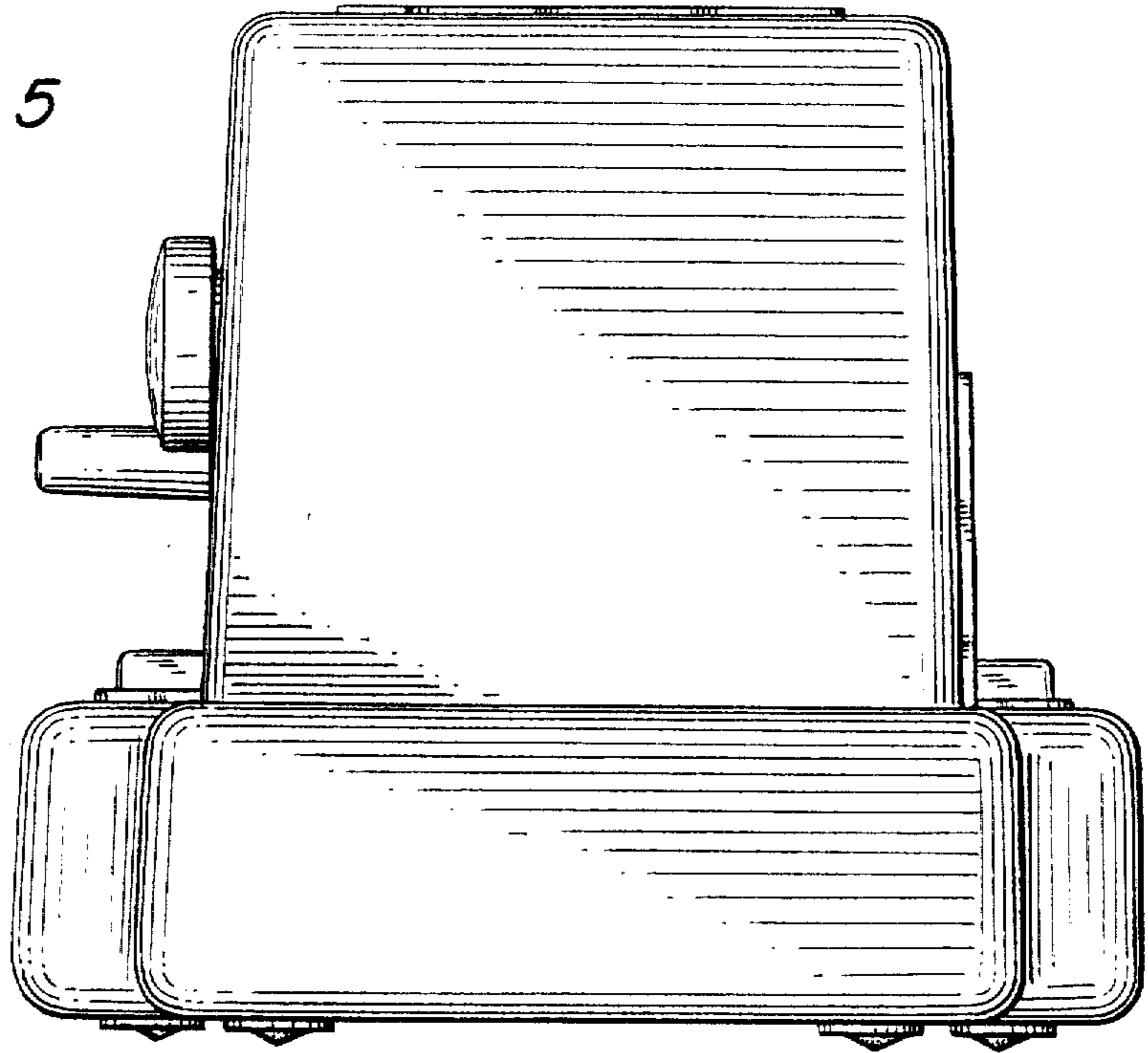


FIG. 6

