

[54] COMBINED DIRT SCRAPER AND SPREADER

[76] Inventor: Ray A. Marler, 2432 Mansfield, Del City, Okla. 73115

[**] Term: 14 Years

[21] Appl. No.: 497,519

[22] Filed: May 24, 1983

[52] U.S. Cl. D15/13; D15/27

[58] Field of Search D15/10, 13, 21, 27; 37/124, 126, 129

[56] References Cited

U.S. PATENT DOCUMENTS

2,923,074	2/1960	Tucker	37/129
3,110,972	11/1973	Waite	37/126 R
4,389,800	6/1983	Goby	37/124

FOREIGN PATENT DOCUMENTS

0143464 9/1951 Australia 37/129

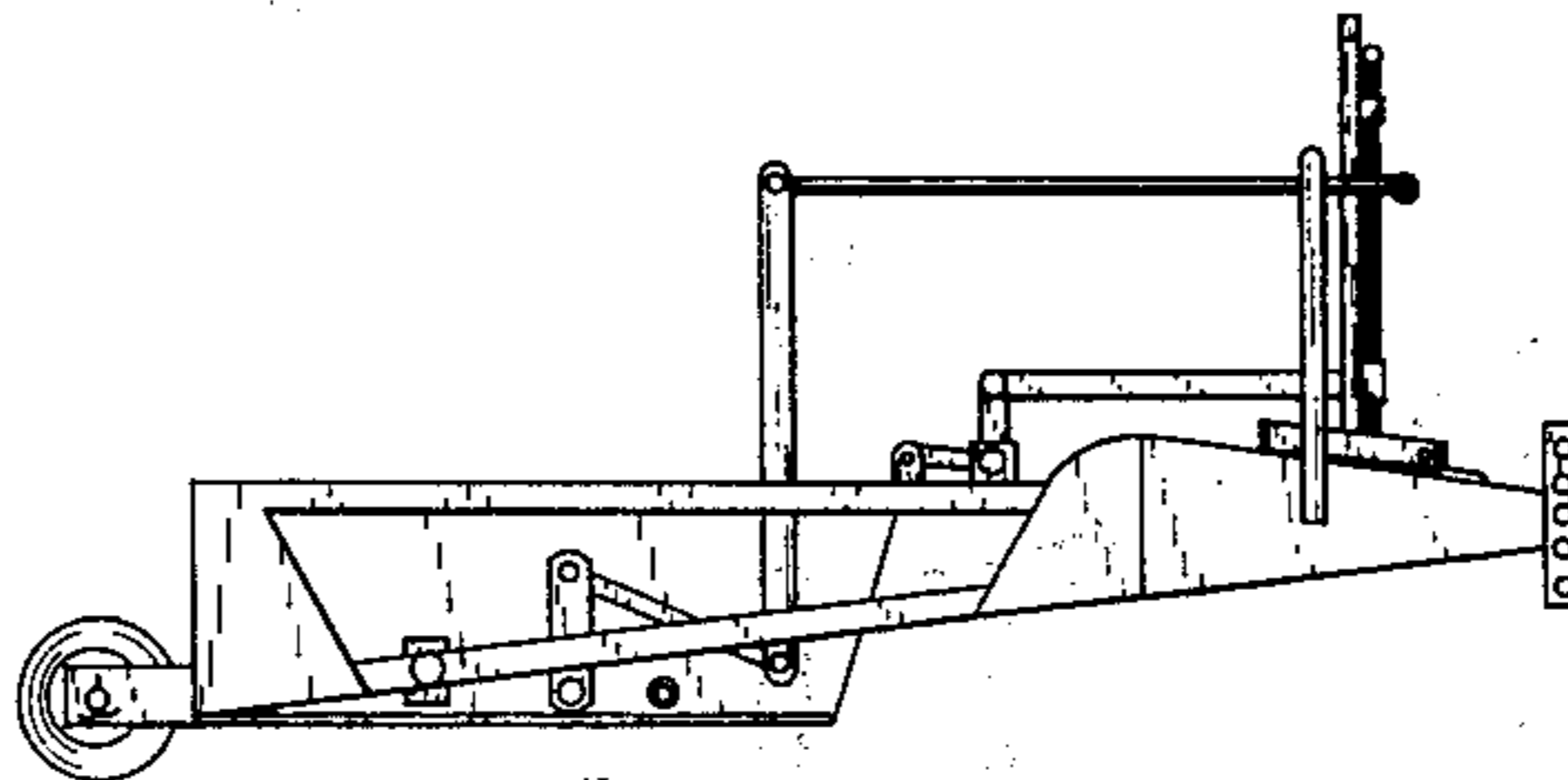
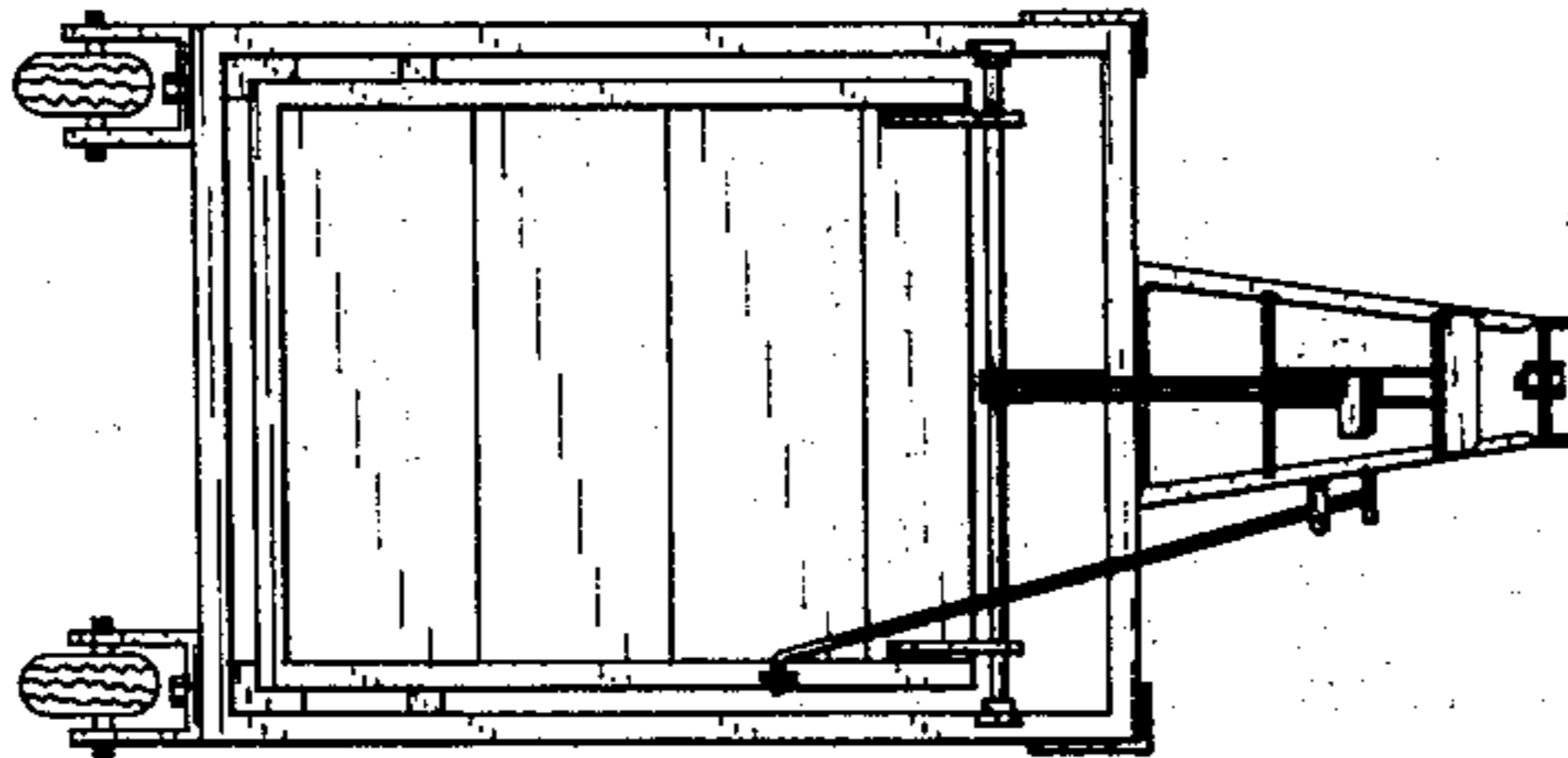
Primary Examiner—B. J. Bullock
Assistant Examiner—Suzanne N. Gitlin
Attorney, Agent, or Firm—Bill D. McCarthy

[57] CLAIM

The ornamental design for a combined dirt scraper and spreader, as shown and described.

DESCRIPTION

FIG. 1 is a top plan view of a combined dirt scraper and spreader showing my new design;
FIG. 2 is a side elevational view taken from the bottom of FIG. 1;
FIG. 3 is an end elevational view taken from the right of FIG. 2;
FIG. 4 is a bottom plan view thereof;
FIG. 5 is a side elevational view taken from the top of FIG. 1;
FIG. 6 is an end elevational view taken from the left of FIG. 2.



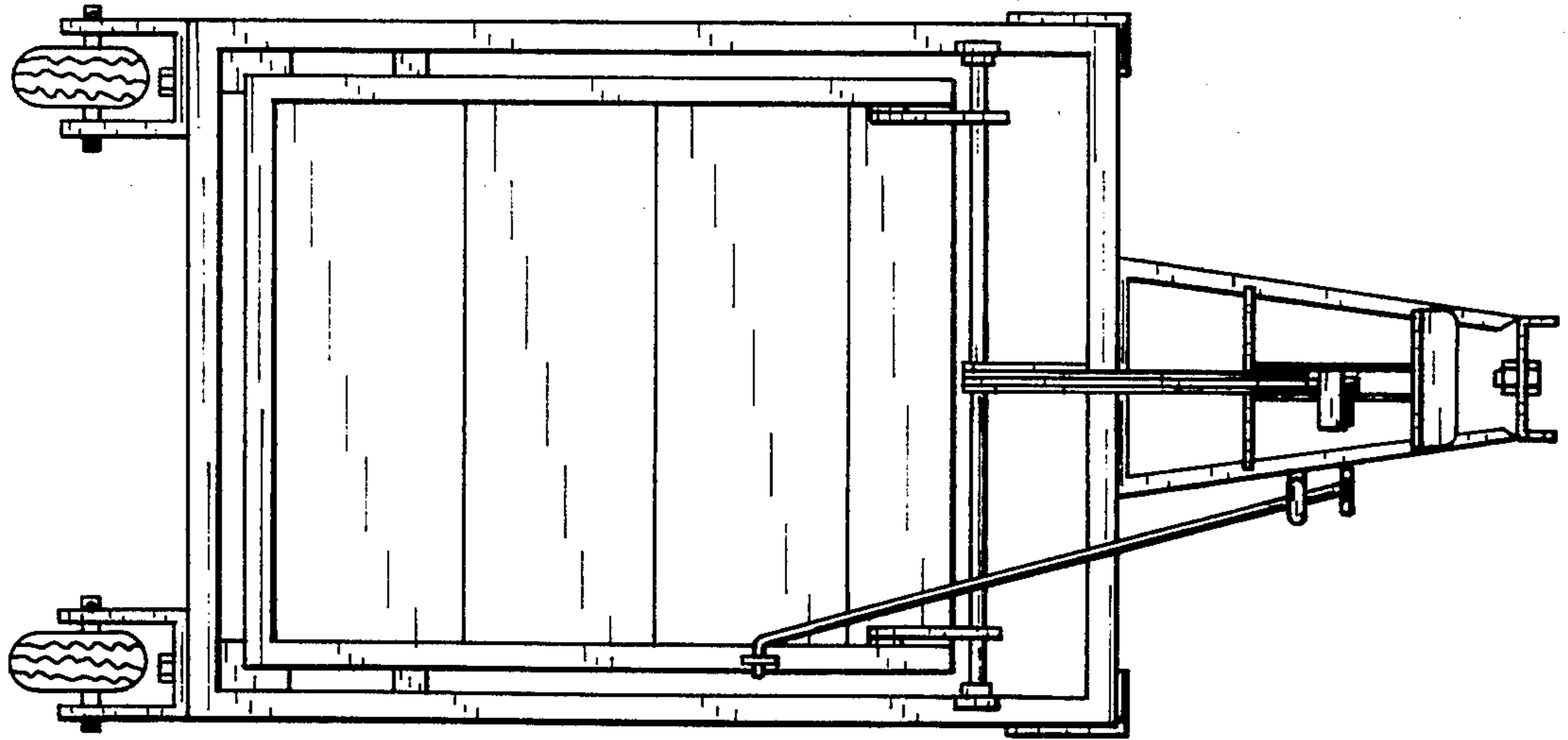


FIG. 1

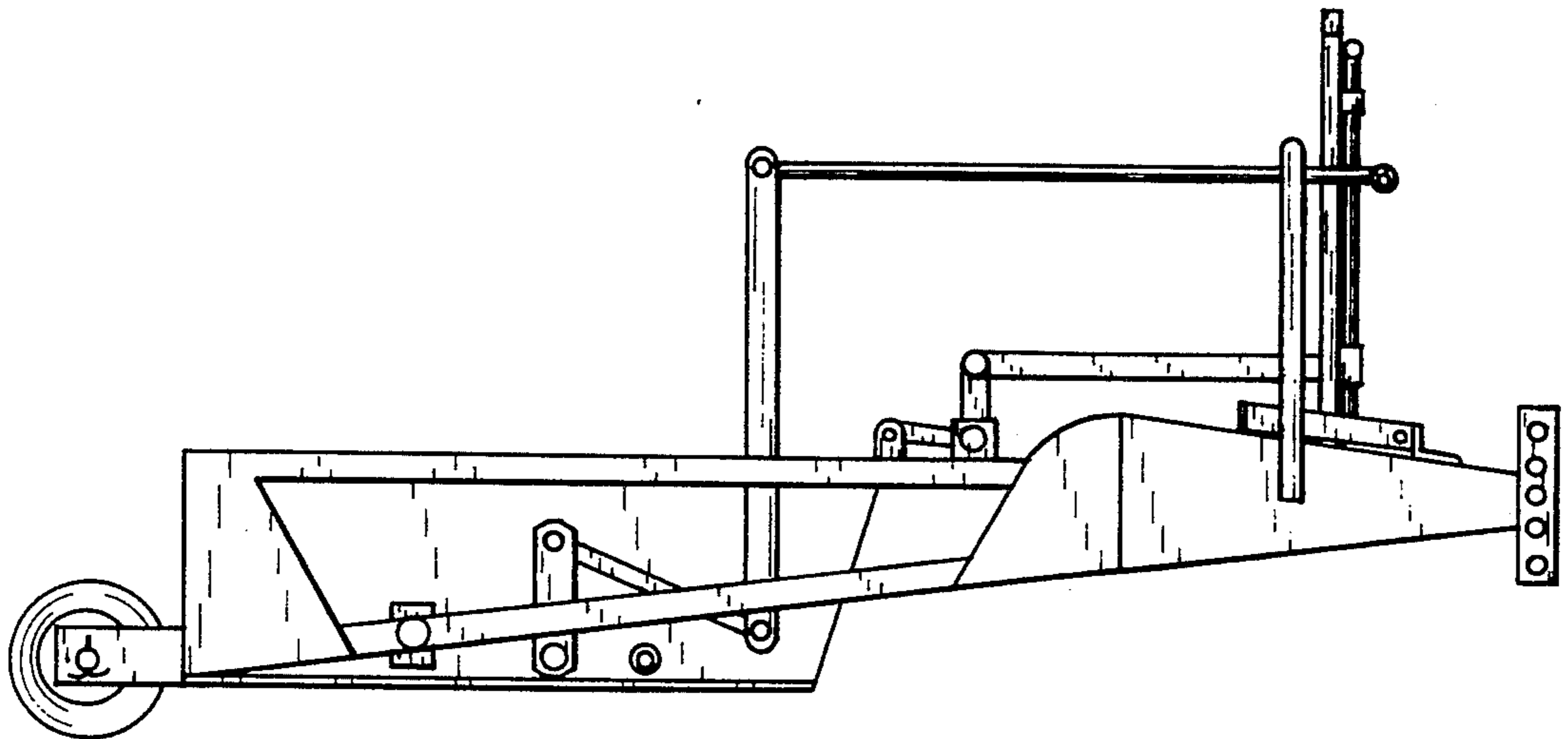


FIG. 2

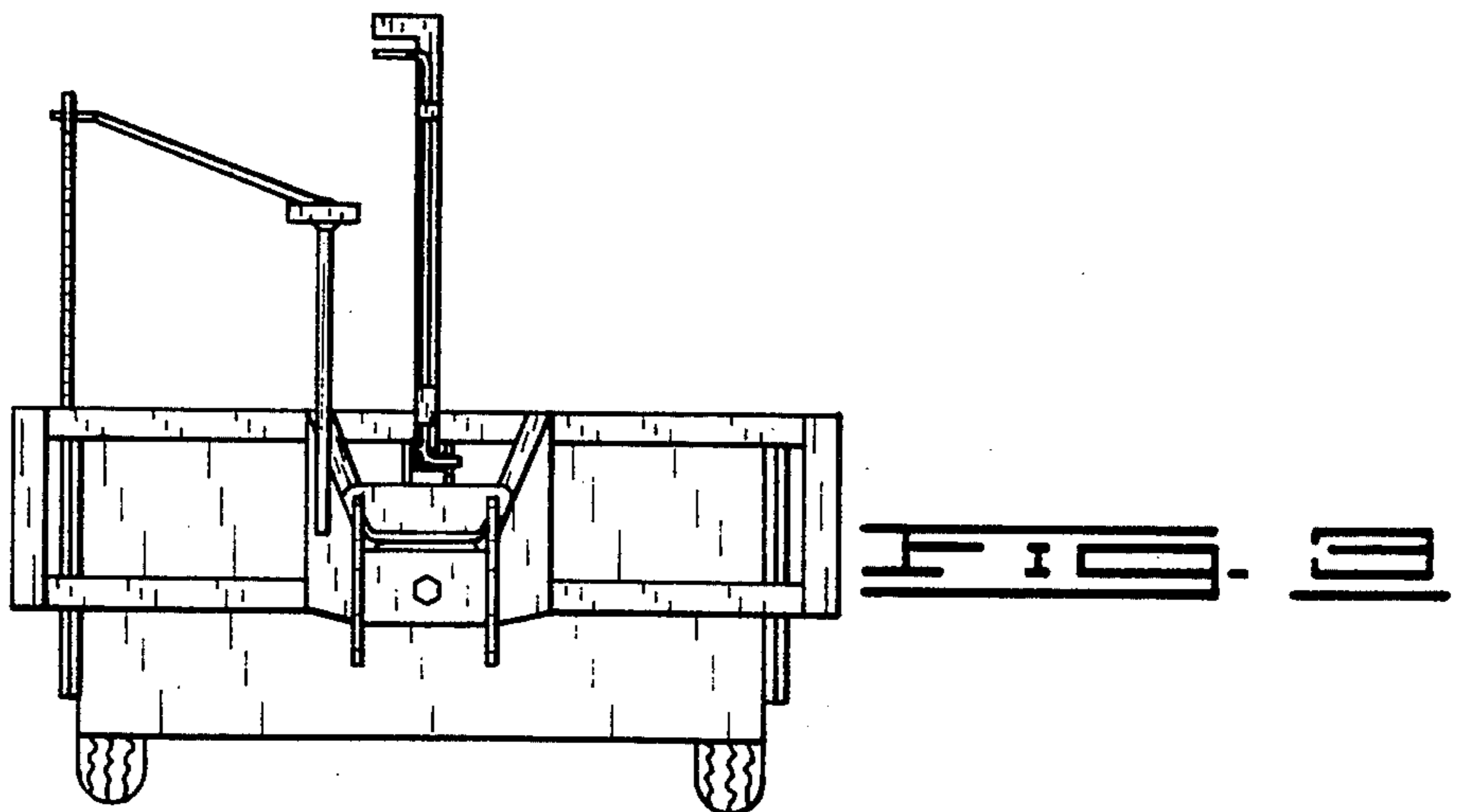


FIG. 3

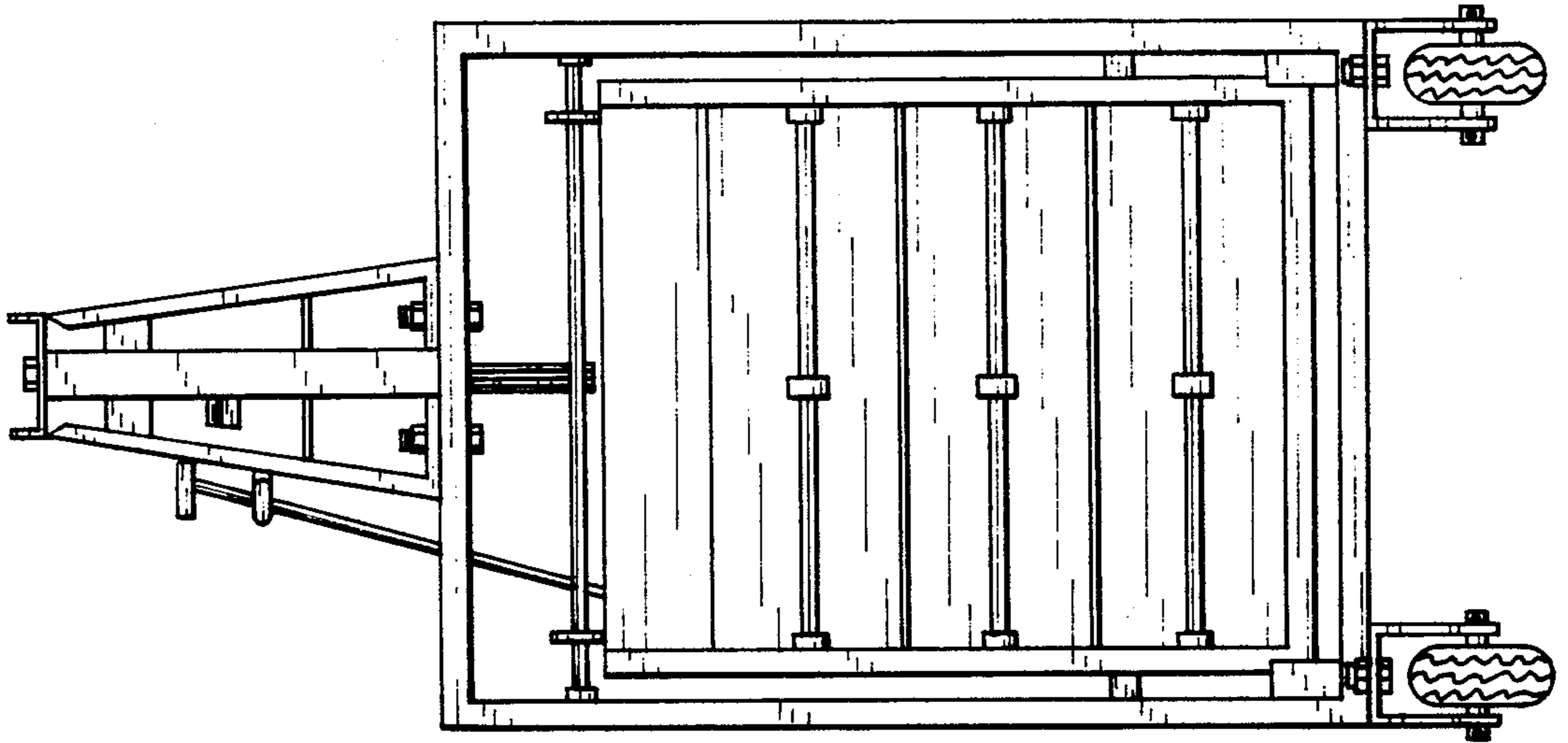


FIG. 4

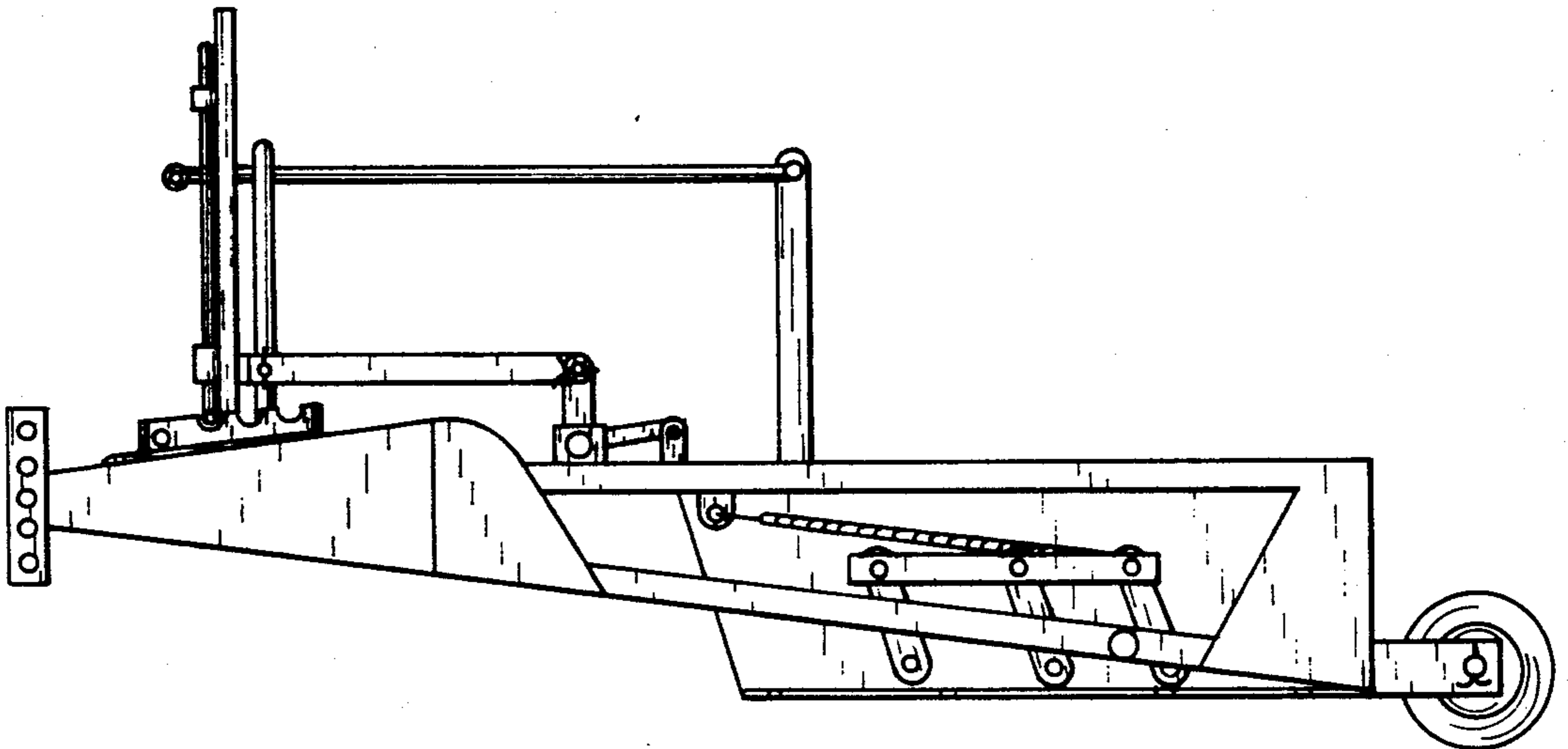


FIG. 5

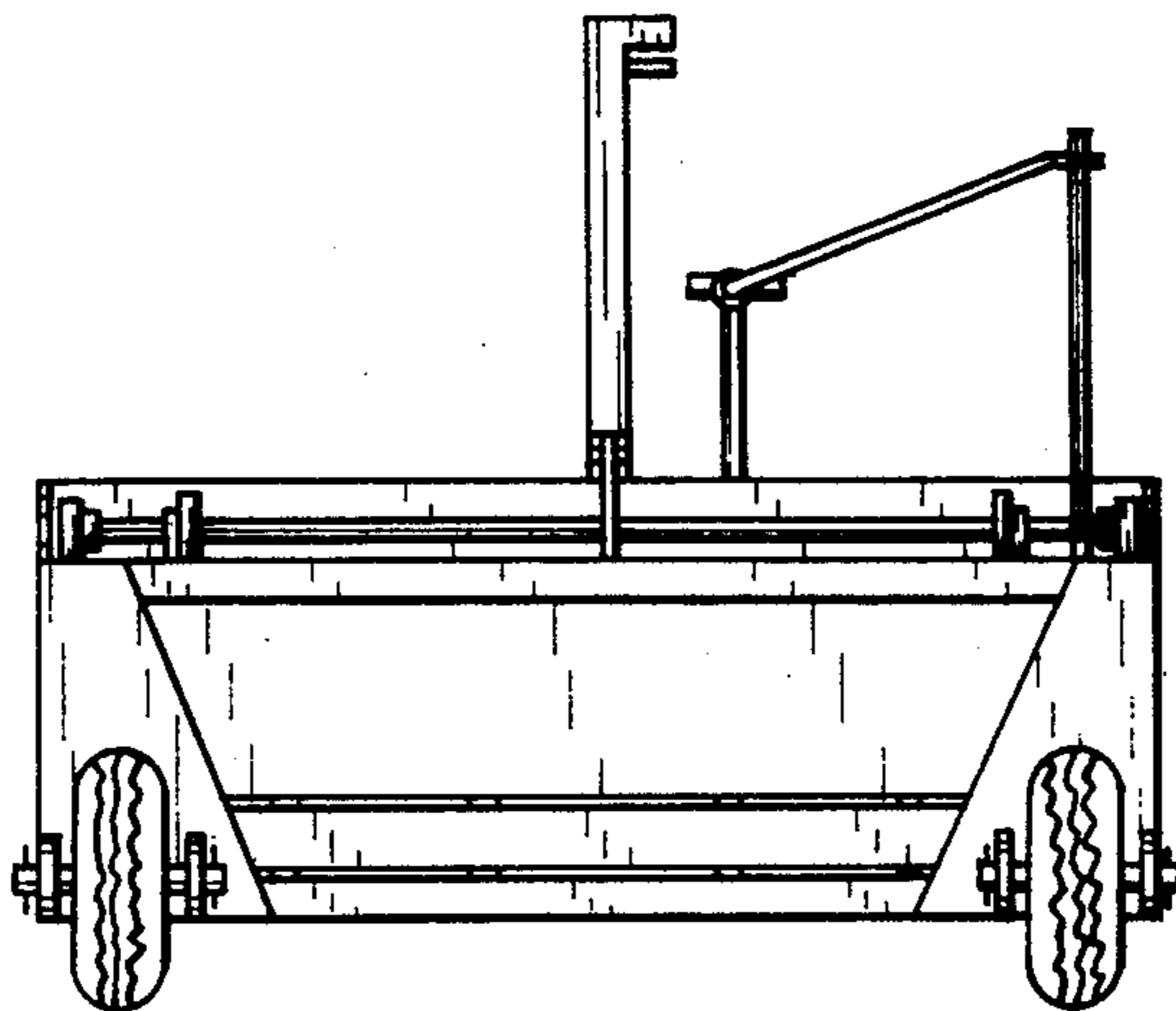


FIG. 6