

[54] STAND FOR A TELEPHONE OR SIMILAR ARTICLE

[75] Inventors: Christian J. Felix, Flushing, N.Y.; Frank V. Gates, Succasunna, N.J.; Gordon E. Sylvester, Jamaica, N.Y.

[73] Assignee: AT&T Bell Laboratories, Murray Hill, N.J.

[**] Term: 14 Years

[21] Appl. No.: 436,345

[22] Filed: Oct. 25, 1982

[52] U.S. Cl. D14/60; D14/65

[58] Field of Search D14/65, 63, 59, 53, D14/52; 179/146 R, 147, 100 R; D19/83, 88, 91, 52; D6/155, 184; D20/15

[56] References Cited

U.S. PATENT DOCUMENTS

D. 46,314	8/1914	Levy	D6/184
D. 137,164	2/1944	Peck	D6/180
D. 206,853	2/1967	Slaton	D20/15
D. 226,199	1/1973	Breger	D14/53
D. 234,849	4/1975	Tyson et al.	D14/60
D. 234,851	4/1975	Tyson et al.	D14/60

D. 244,331	5/1977	Woods	D6/184
D. 262,211	12/1981	Janda	D14/65
D. 262,212	12/1981	Janda	D14/65
D. 264,028	4/1982	Kellogg	D6/82
D. 265,088	6/1982	Janda et al.	D14/53

OTHER PUBLICATIONS

Popular Science Mag., Sep. 1976; Stand for Northern Telecom Electronic Phone & Stand on p. 86.

Primary Examiner—Wallace R. Burke
Assistant Examiner—Horace B. Fay
Attorney, Agent, or Firm—John A. Caccuro

[57] CLAIM

The ornamental design for a stand for a telephone or similar article, substantially as shown and described.

DESCRIPTION

FIG. 1 is a perspective view showing the top, rear, and right side of a stand for a telephone or similar article in accordance with our new design;
FIG. 2 is a right side view of the telephone stand;
FIG. 3 is a left side view of the telephone stand;
FIG. 4 is a top plan view of the telephone stand;
FIG. 5 is a bottom view of the telephone stand;
FIG. 6 is a front view of the telephone stand;
FIG. 7 is a rear view of the telephone stand.

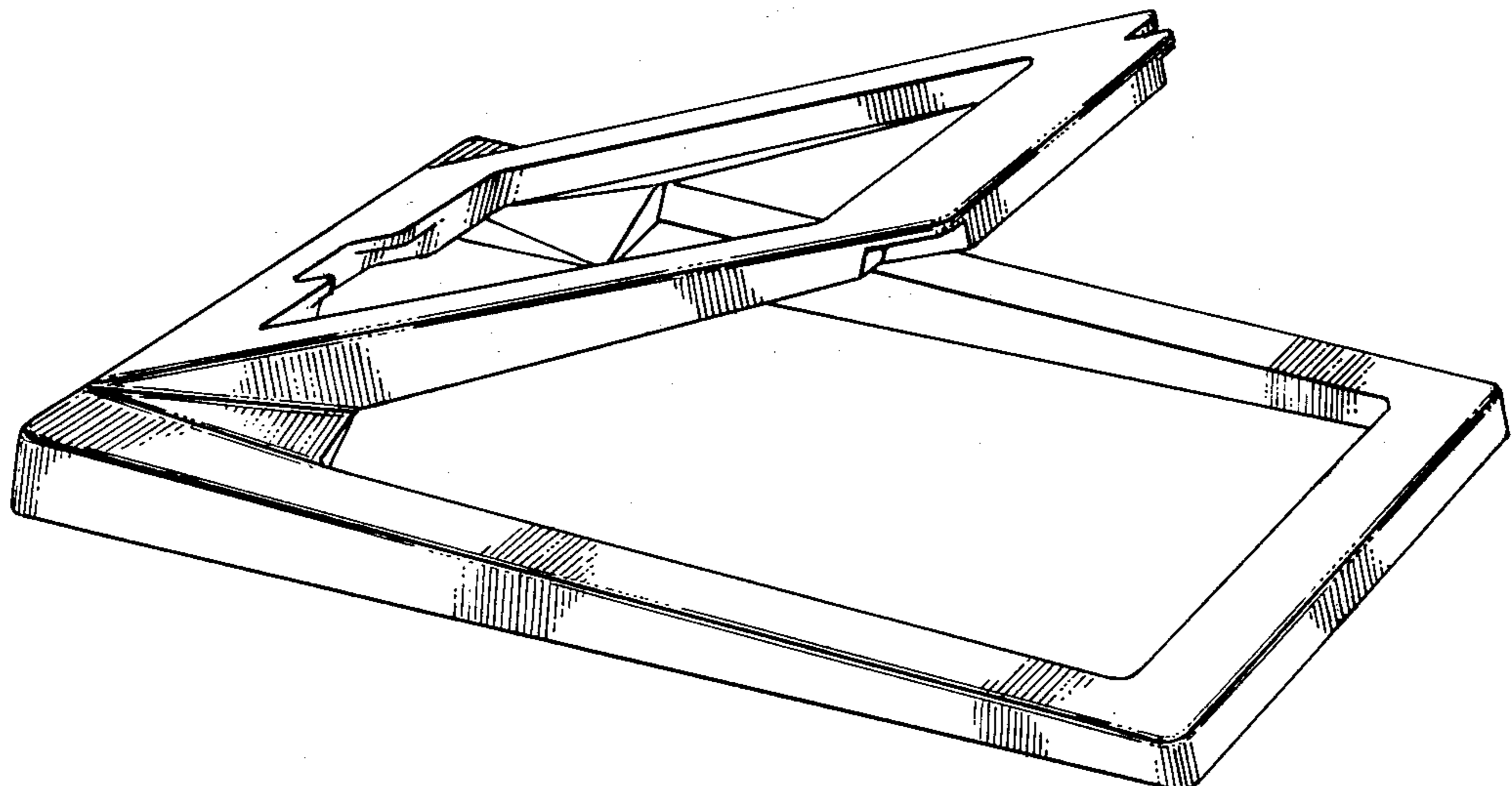
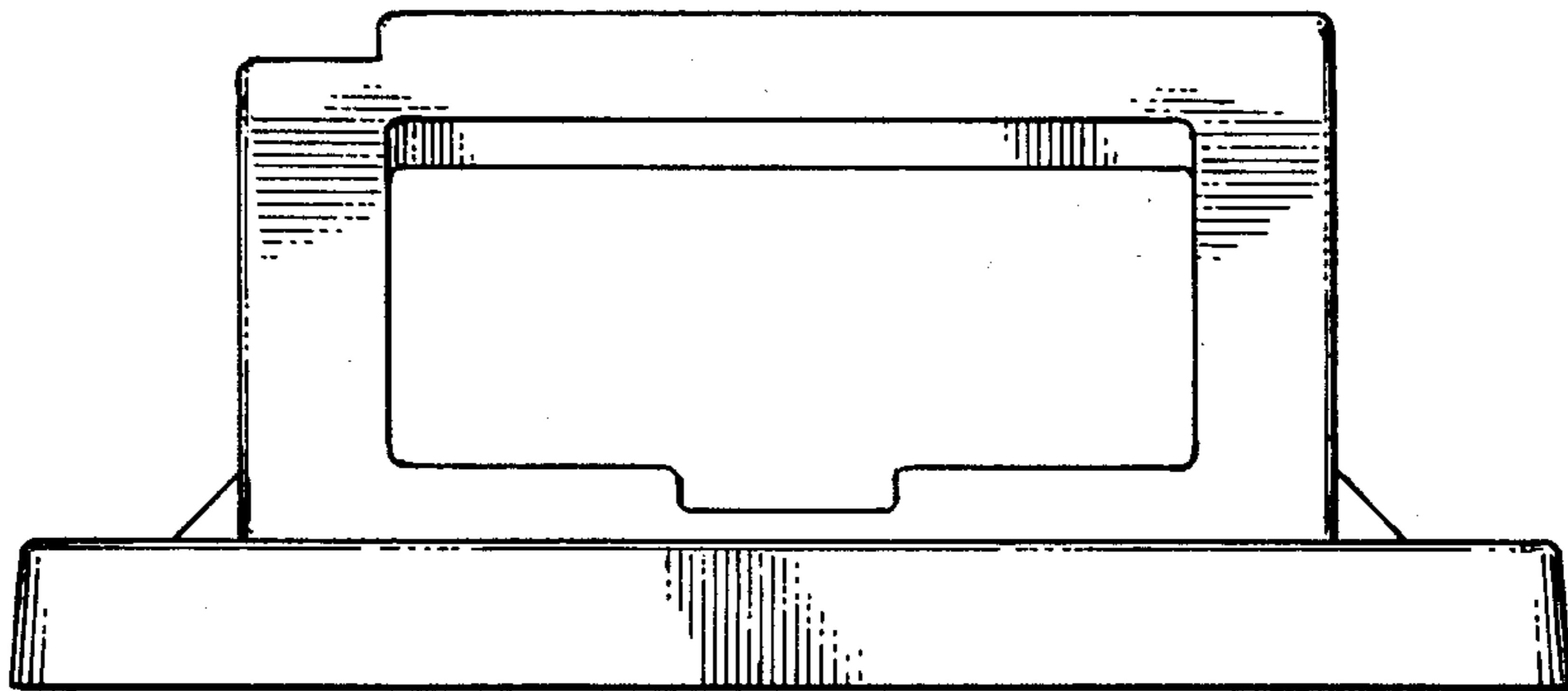


FIG. 1

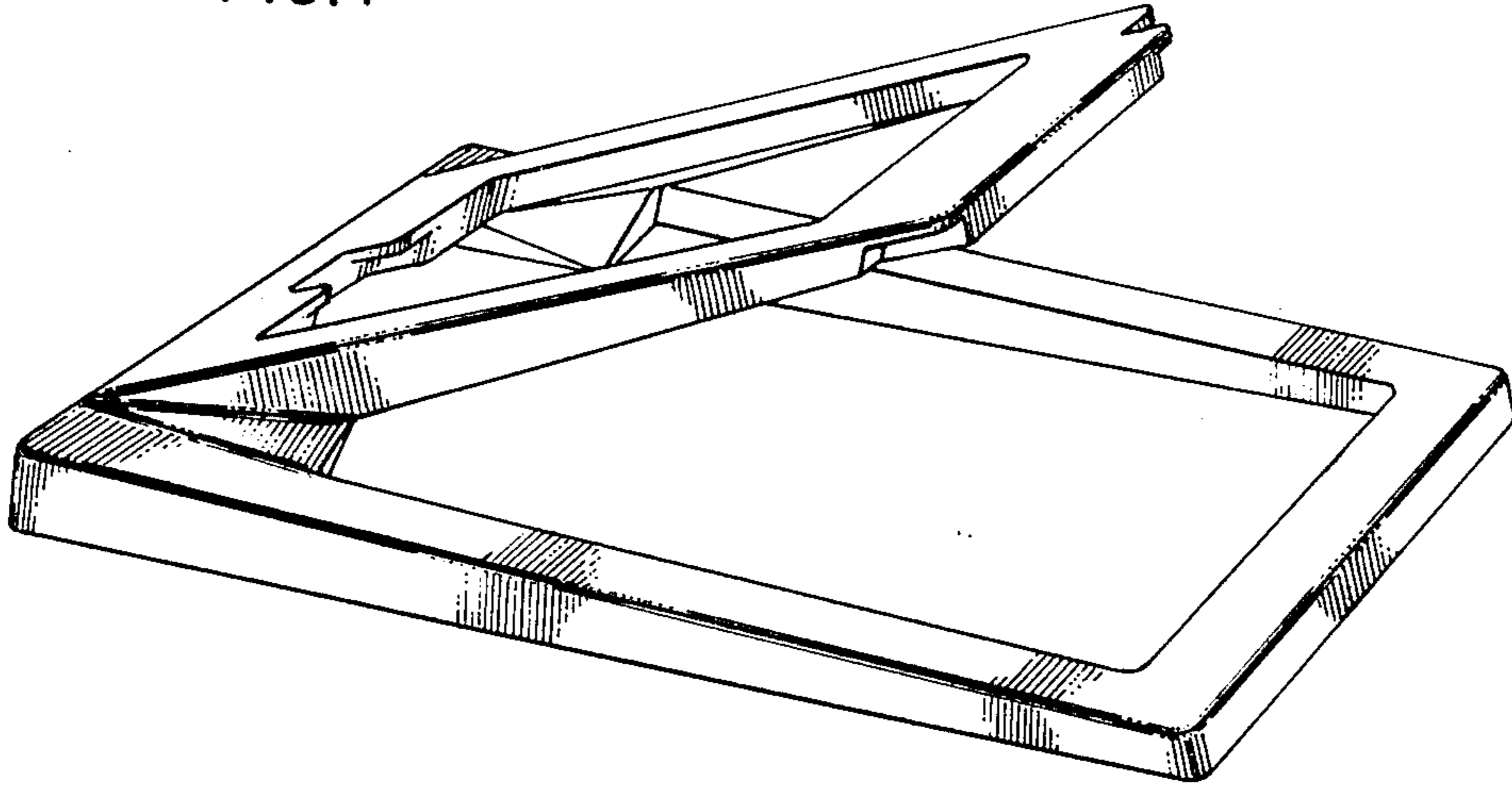


FIG. 2

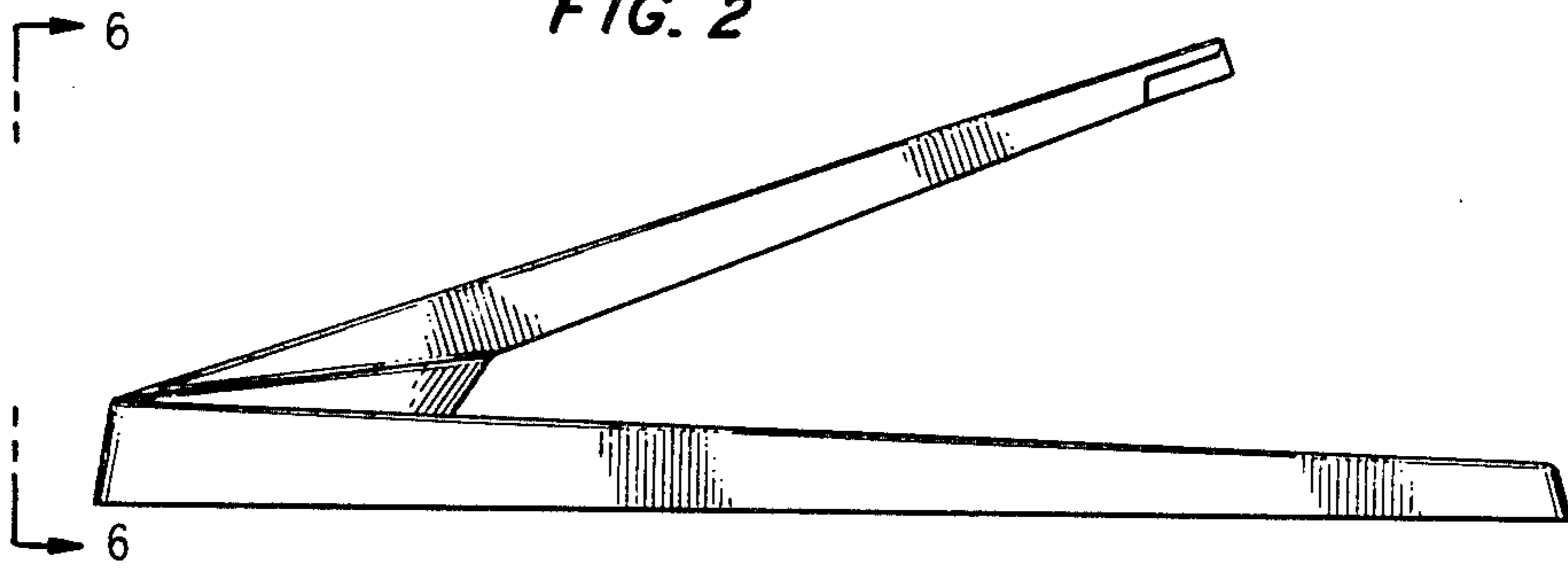


FIG. 3

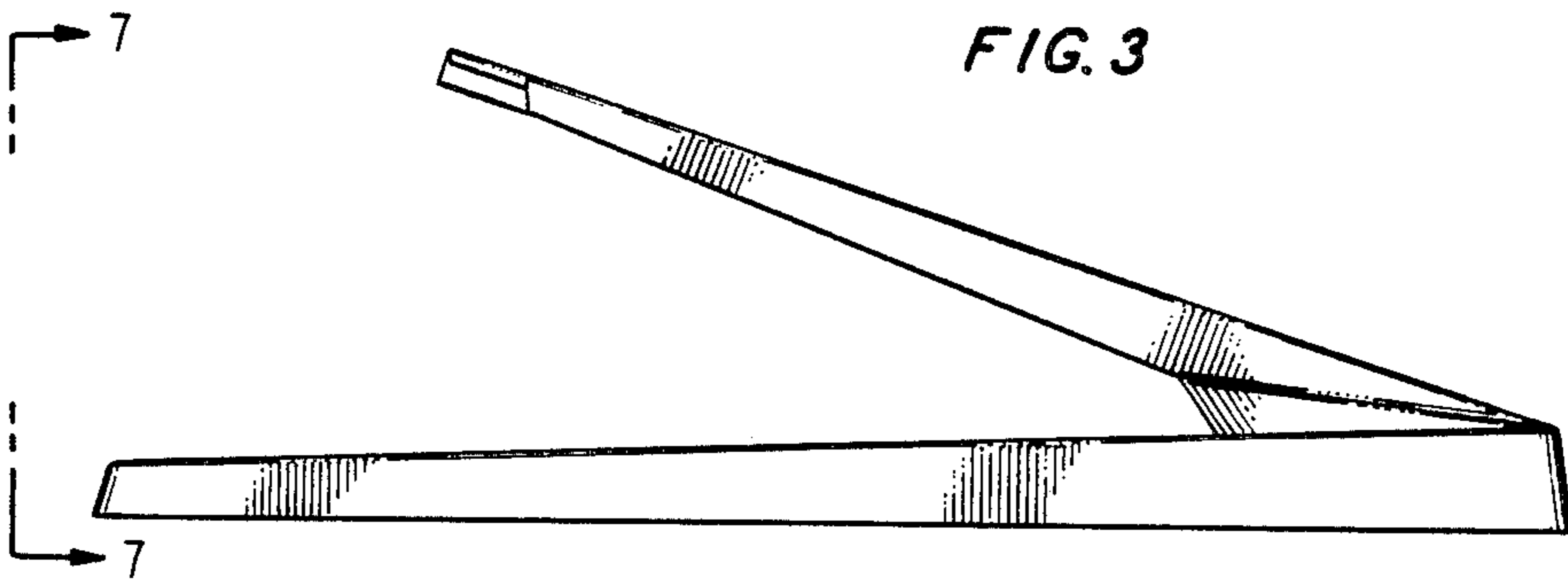


FIG. 4

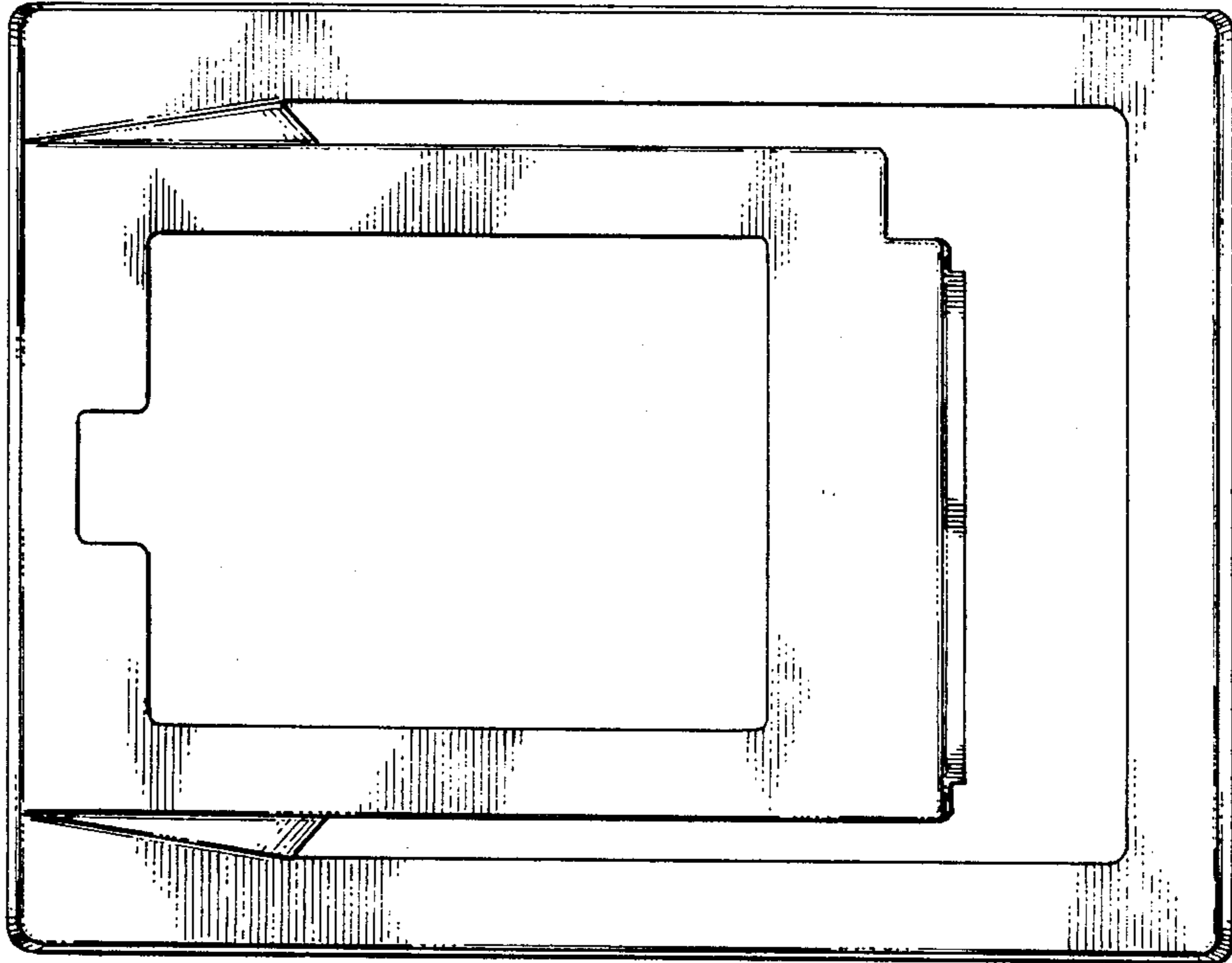


FIG. 5

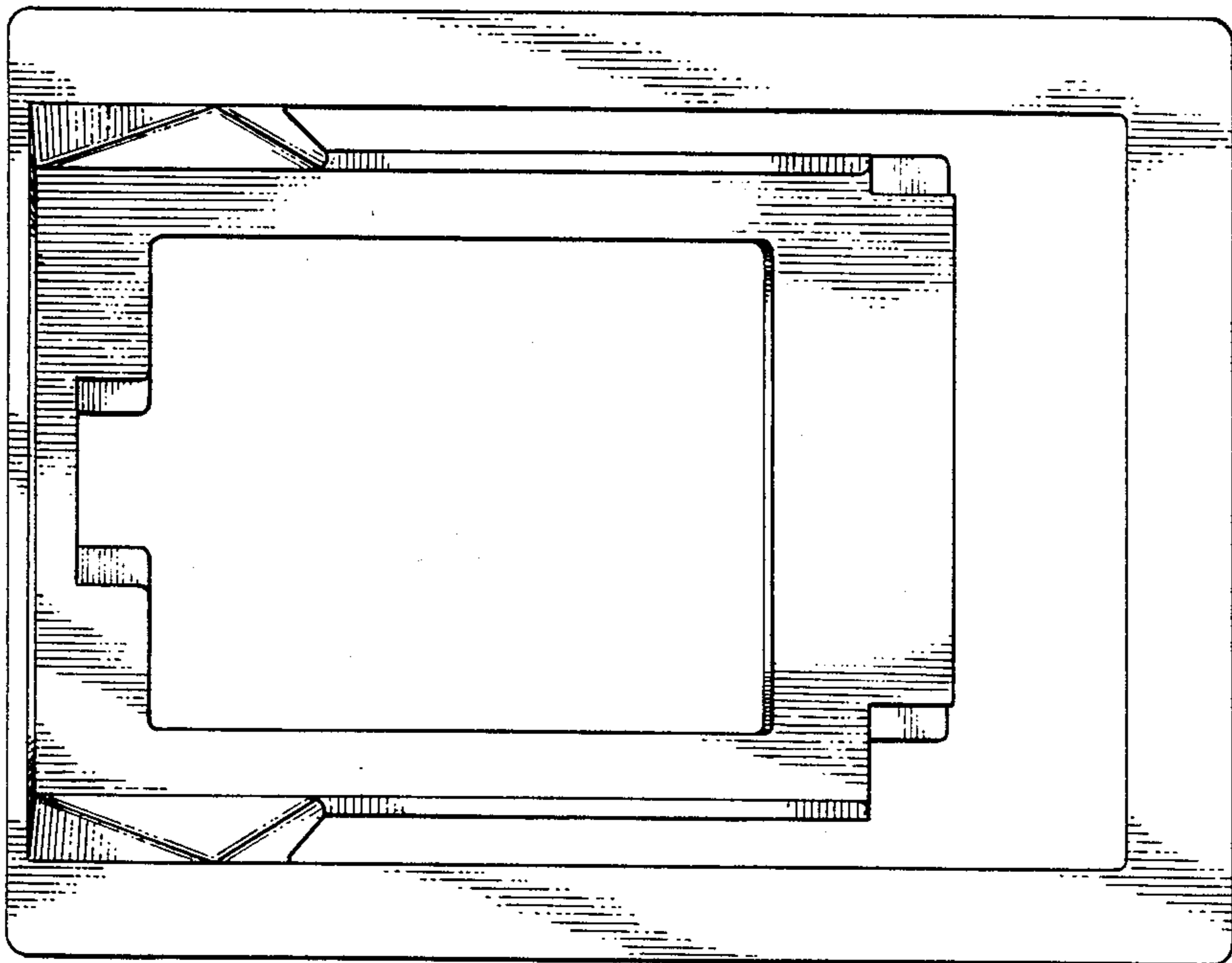


FIG. 6

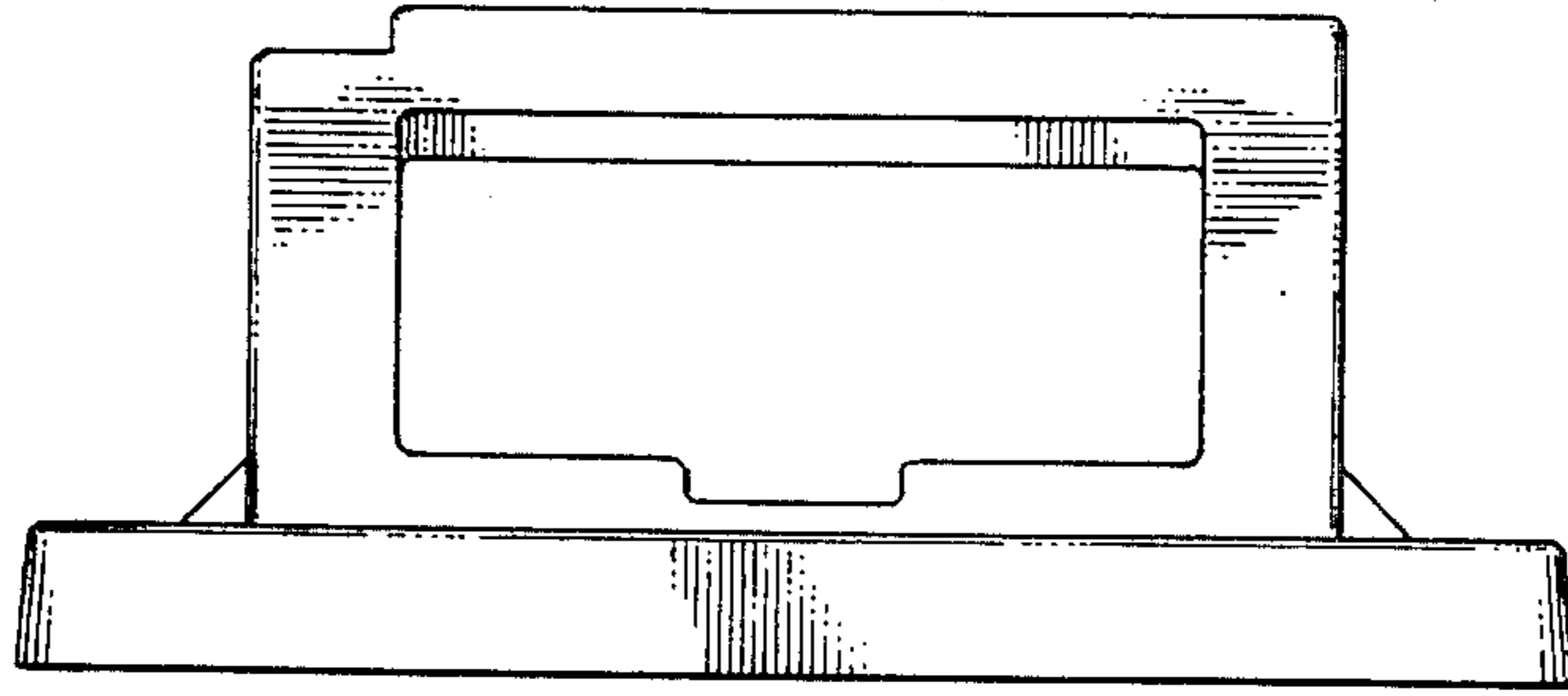


FIG. 7

