

[54] **PORTABLE BATTERY CHARGER OR SIMILAR ARTICLE**

[75] **Inventors: Bruce A. Claxton, Coral Springs, Fla.; Sylvia Ramos, Royal Oak, Mich.**

[73] **Assignee: Motorola, Inc., Schaumburg, Ill.**

[\*\*] **Term: 14 Years**

[21] **Appl. No.: 480,048**

[22] **Filed: Mar. 28, 1983**

[52] **U.S. Cl. .... D13/5**

[58] **Field of Search .... D13/5; 320/2-5**

[56] **References Cited**

**U.S. PATENT DOCUMENTS**

D. 274,903	7/1984	Eckmann et al. ....	D13/5
3,644,873	2/1972	Dalton et al. ....	320/2
3,840,795	10/1974	Roszyk et al. ....	320/2

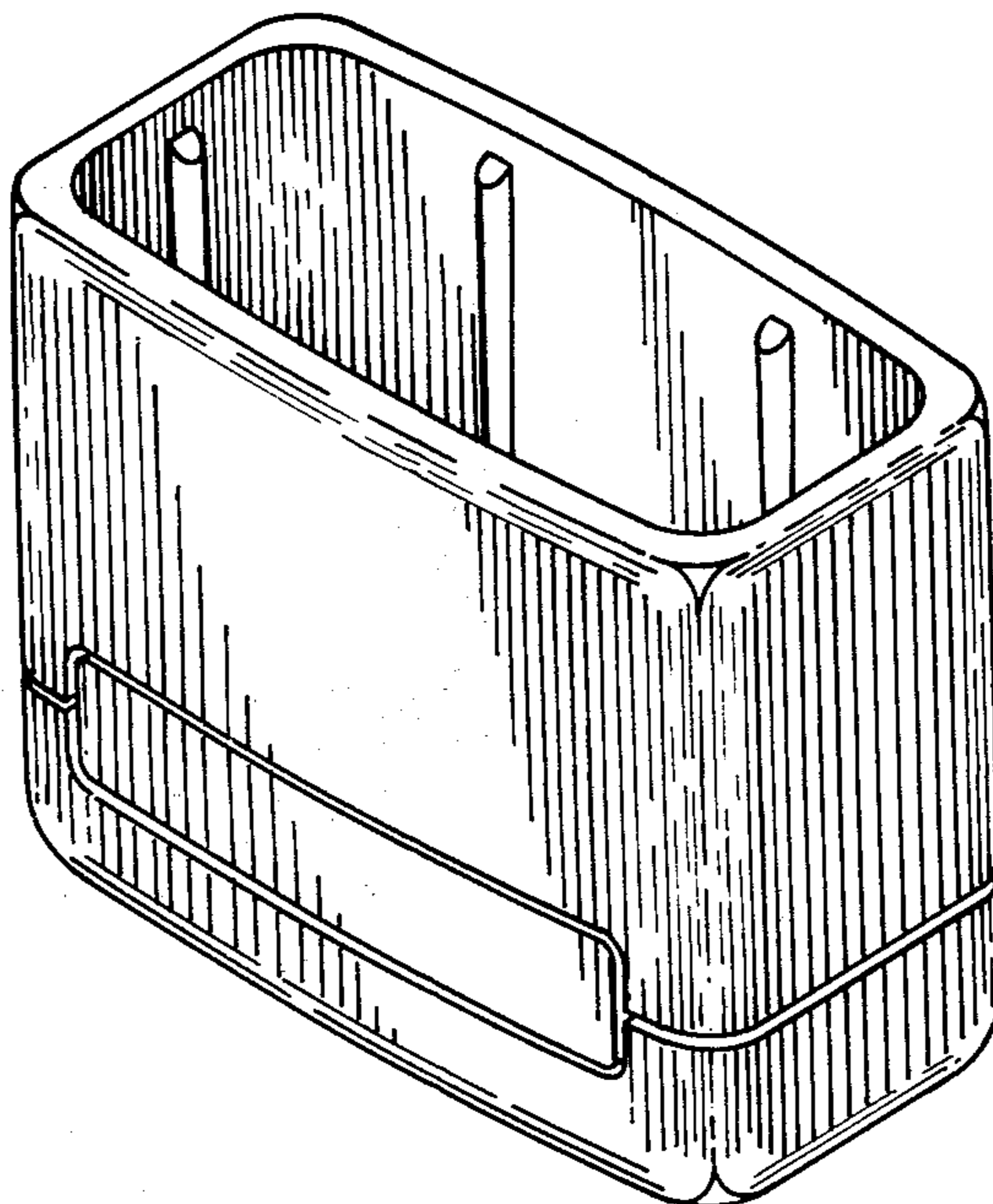
*Primary Examiner*—Wallace R. Burke  
*Assistant Examiner*—Lynn Wilder  
*Attorney, Agent, or Firm*—Joseph T. Downey; James W. Gillman; Edward M. Roney

[57] **CLAIM**

The ornamental design for a portable battery charger or similar article, substantially as shown and described.

**DESCRIPTION**

FIG. 1 is a top perspective view of a portable battery charger or similar article showing our new design; FIG. 2 is a left side elevational view thereof; FIG. 3 is a rear elevational view thereof; and FIG. 4 is a bottom plan view thereof.



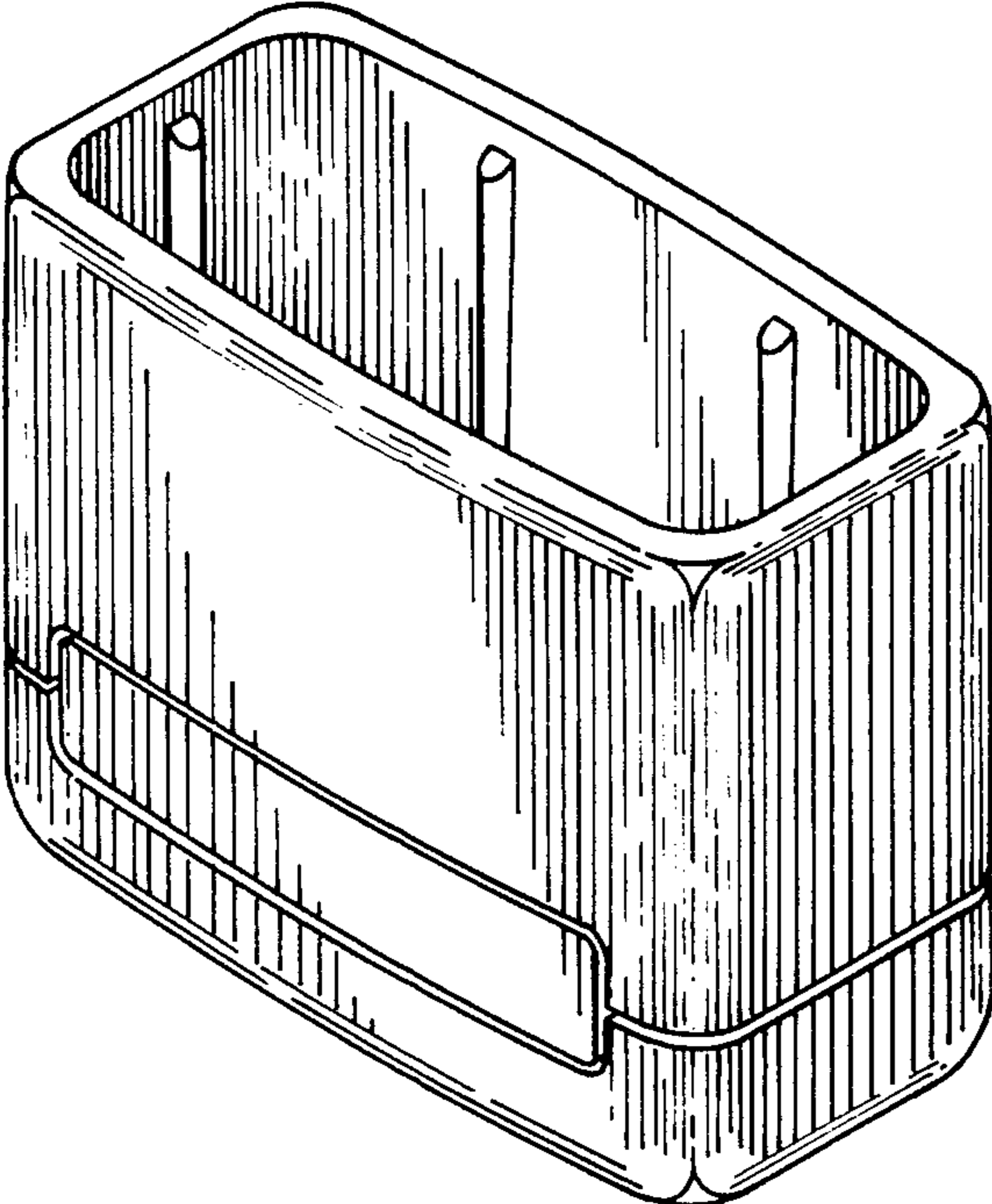


Fig. 1

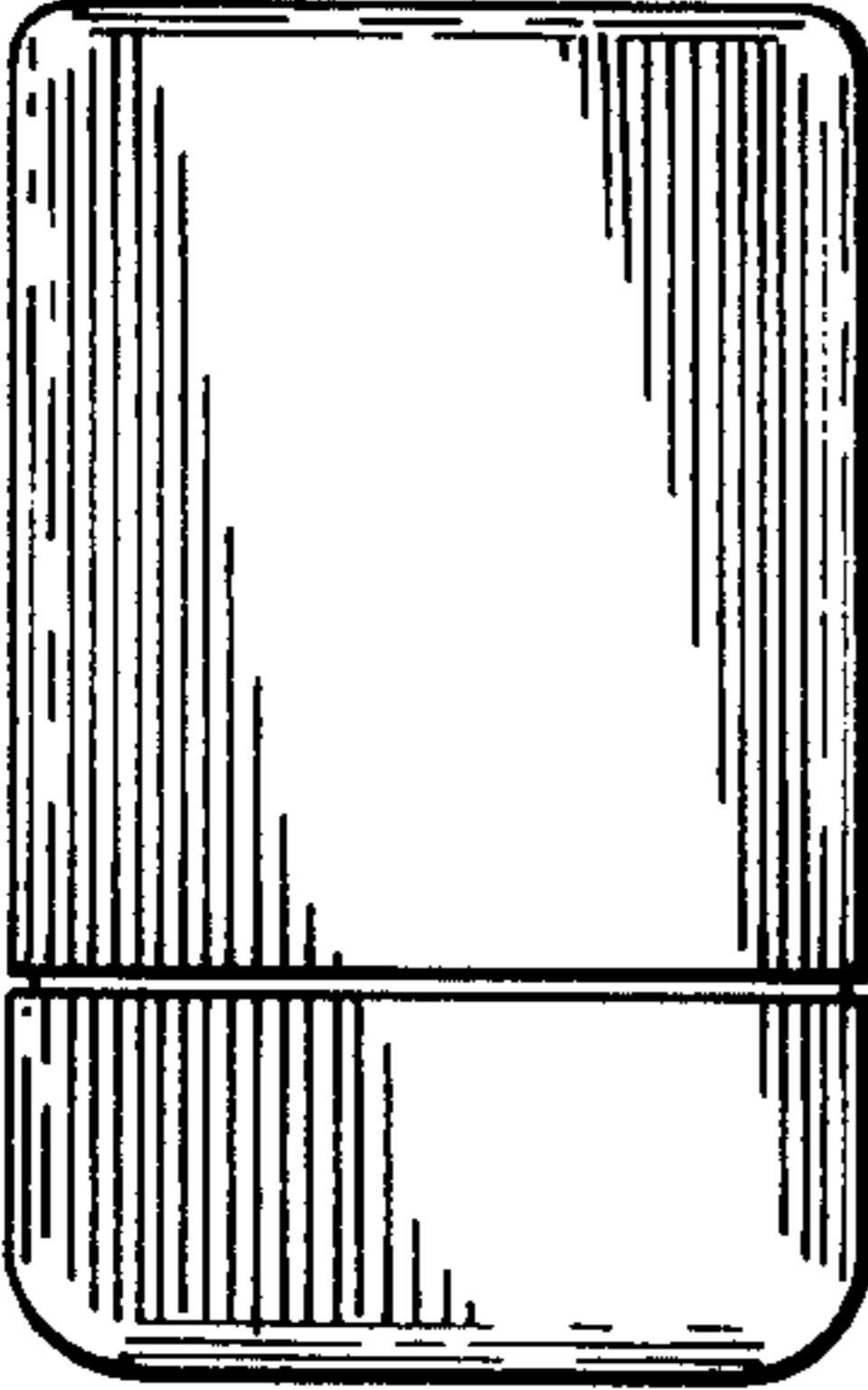


Fig. 2

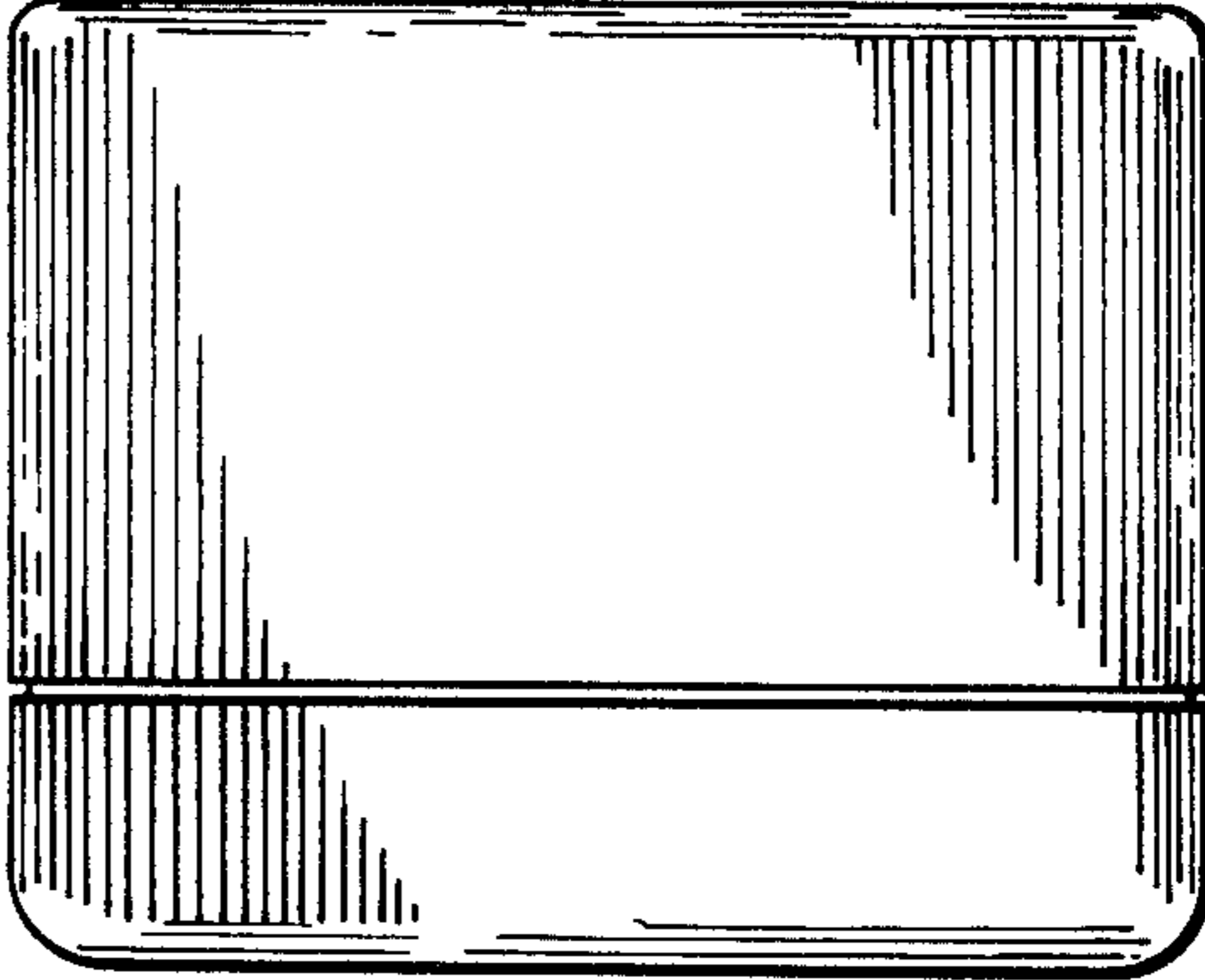


Fig. 3

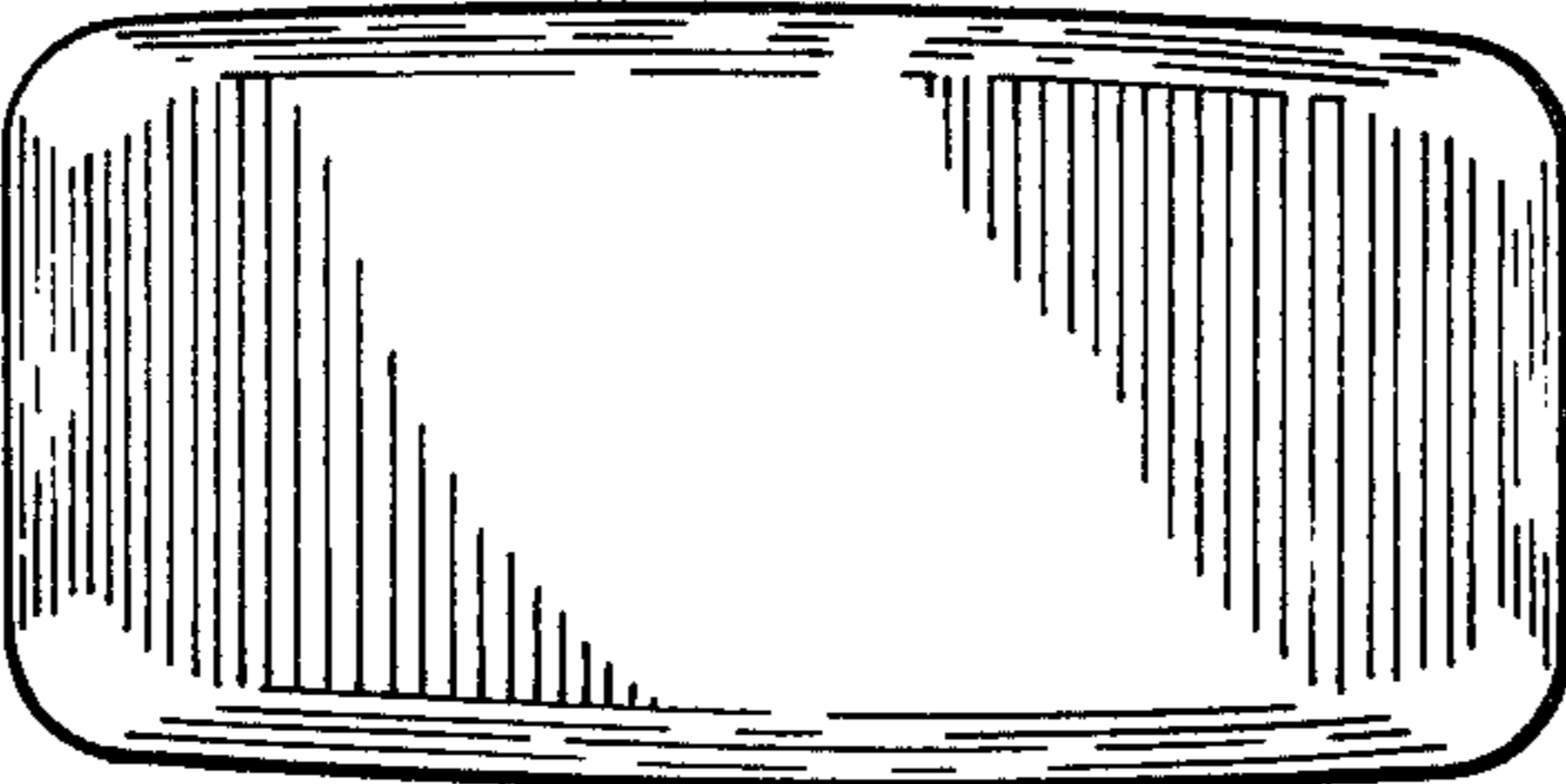


Fig. 4