

# United States Patent [19]

Landry, Jr.

[11] Patent Number: **Des. 279,179**

[45] Date of Patent: **\*\* Jun. 11, 1985**

[54] **DUPLEX HITCH**

[76] Inventor: **Ernest A. Landry, Jr.**, 50 Bennett St.,  
Lynn, Mass. 01905

[\*\*] Term: **14 Years**

[21] Appl. No.: **385,450**

[22] Filed: **Jun. 7, 1982**

[52] U.S. Cl. .... **D12/162**

[58] Field of Search ..... **D12/162; 280/506, 507,  
280/510, 509, 512, 514, 508**

[56] **References Cited**

### U.S. PATENT DOCUMENTS

2,124,839 7/1938 Weiss ..... 280/508

2,295,021 9/1942 Weiss ..... 280/506  
2,522,791 9/1950 Ketel ..... 280/506  
3,052,487 9/1962 Harbers et al. .... 280/506

*Primary Examiner*—James M. Gandy

[57] **CLAIM**

The ornamental design for a duplex hitch, as shown.

### DESCRIPTION

FIG. 1 is a side elevation view of a duplex hitch showing my design;

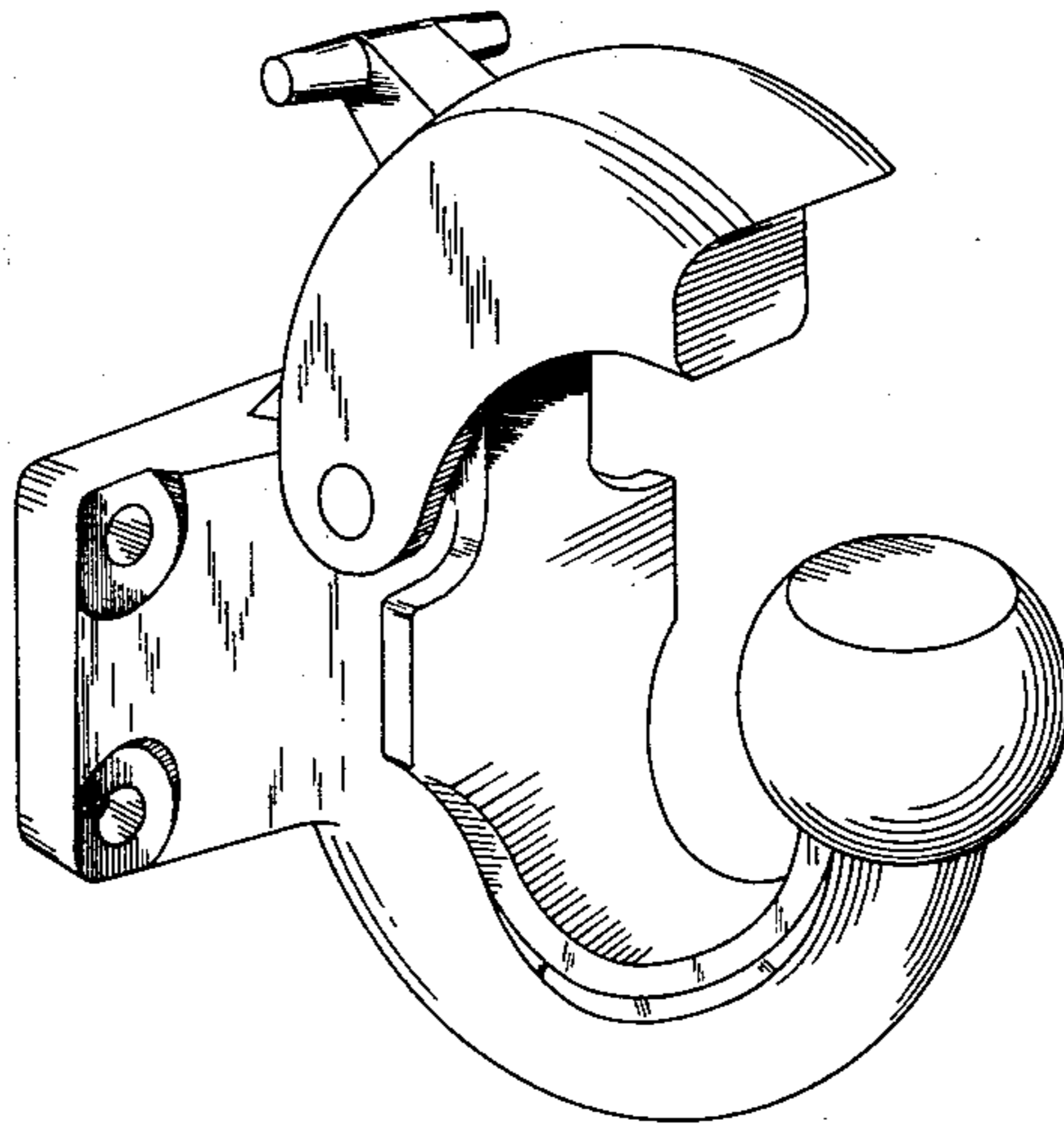
FIG. 2 is a front elevation view thereof;

FIG. 3 is a top plan view thereof;

FIG. 4 is a bottom plan view thereof;

FIG. 5 is a rear elevation view thereof;

FIG. 6 is a perspective view thereof in opened condition.



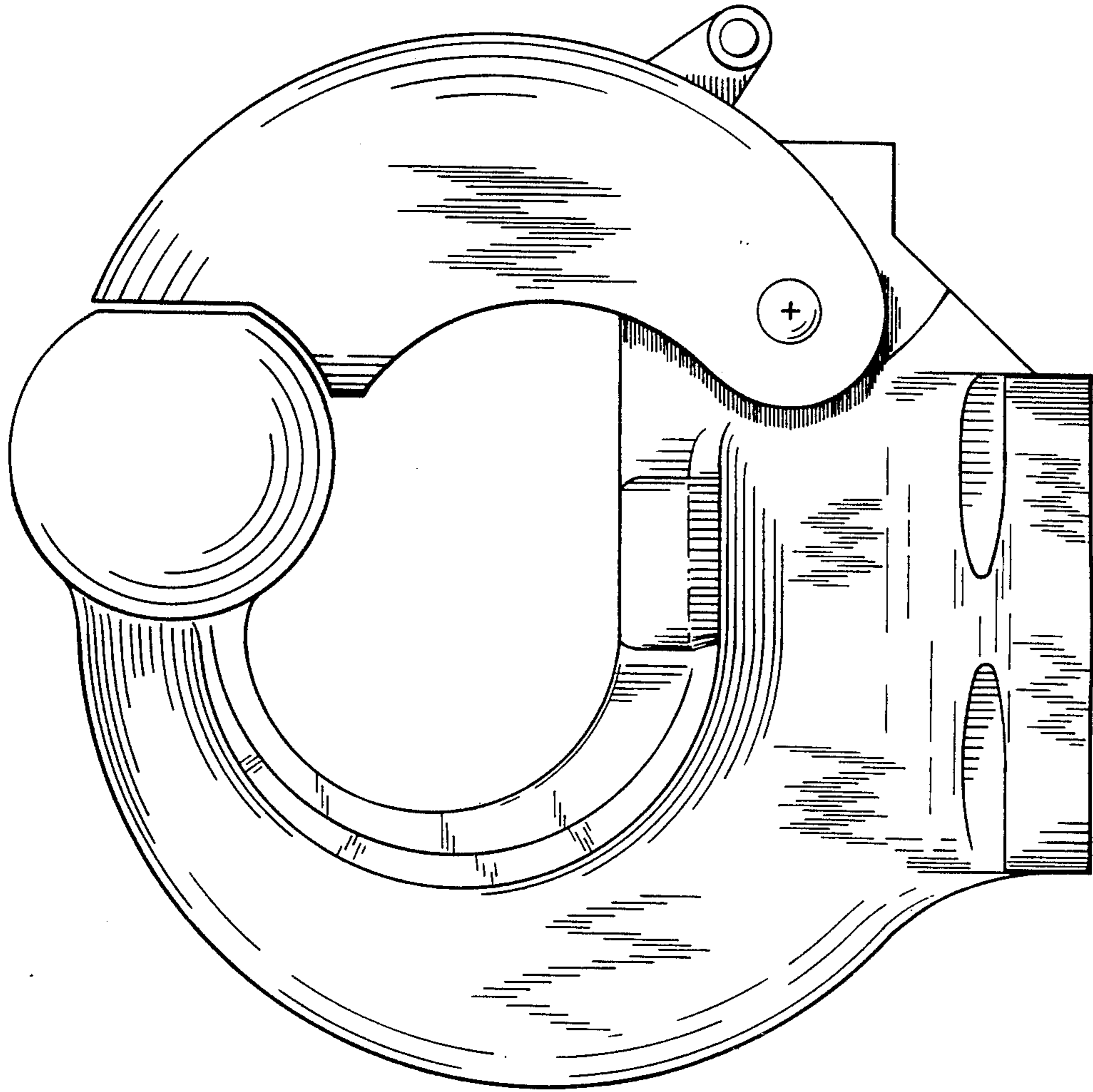


FIG 1

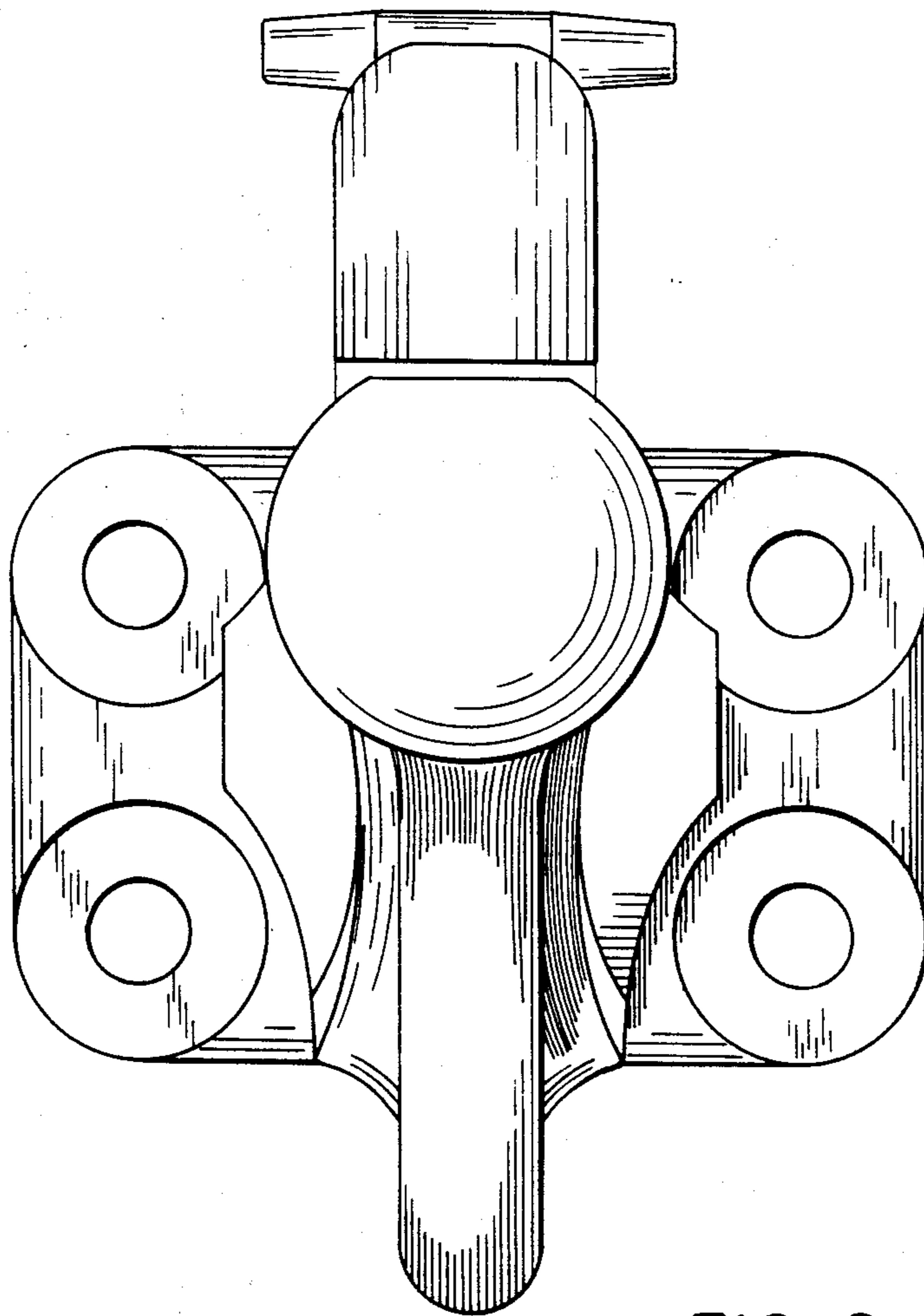


FIG 2

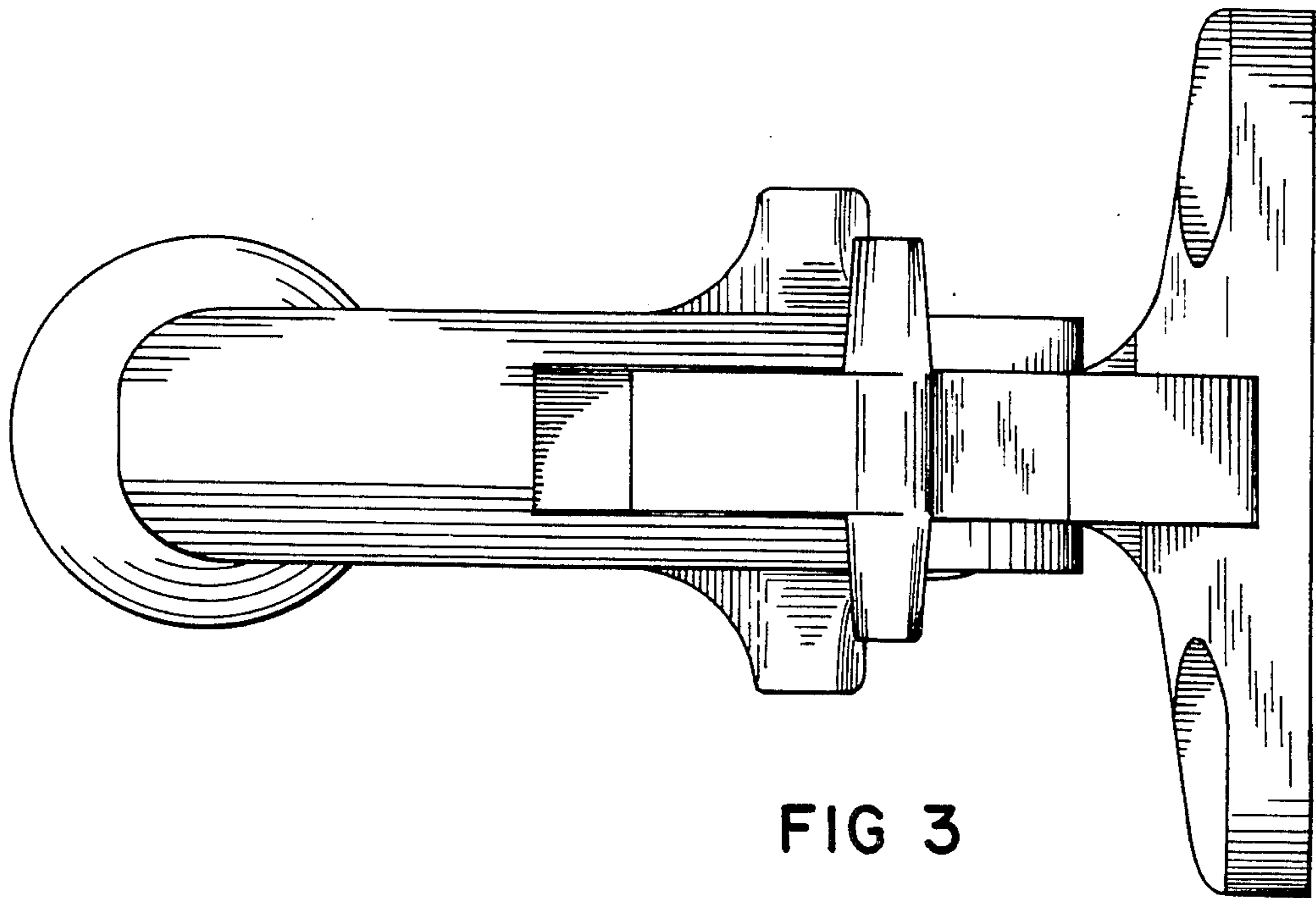


FIG 3

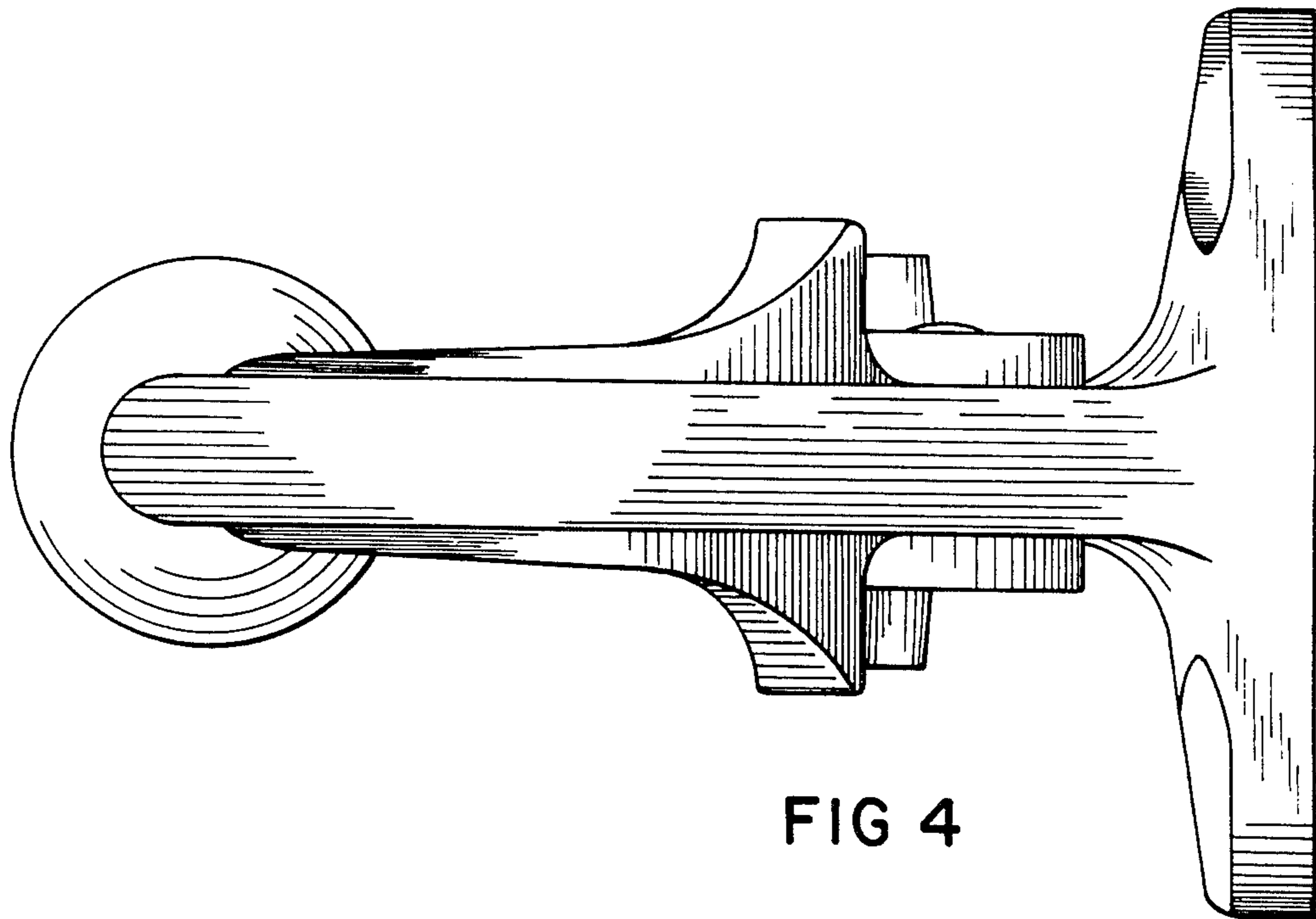


FIG 4

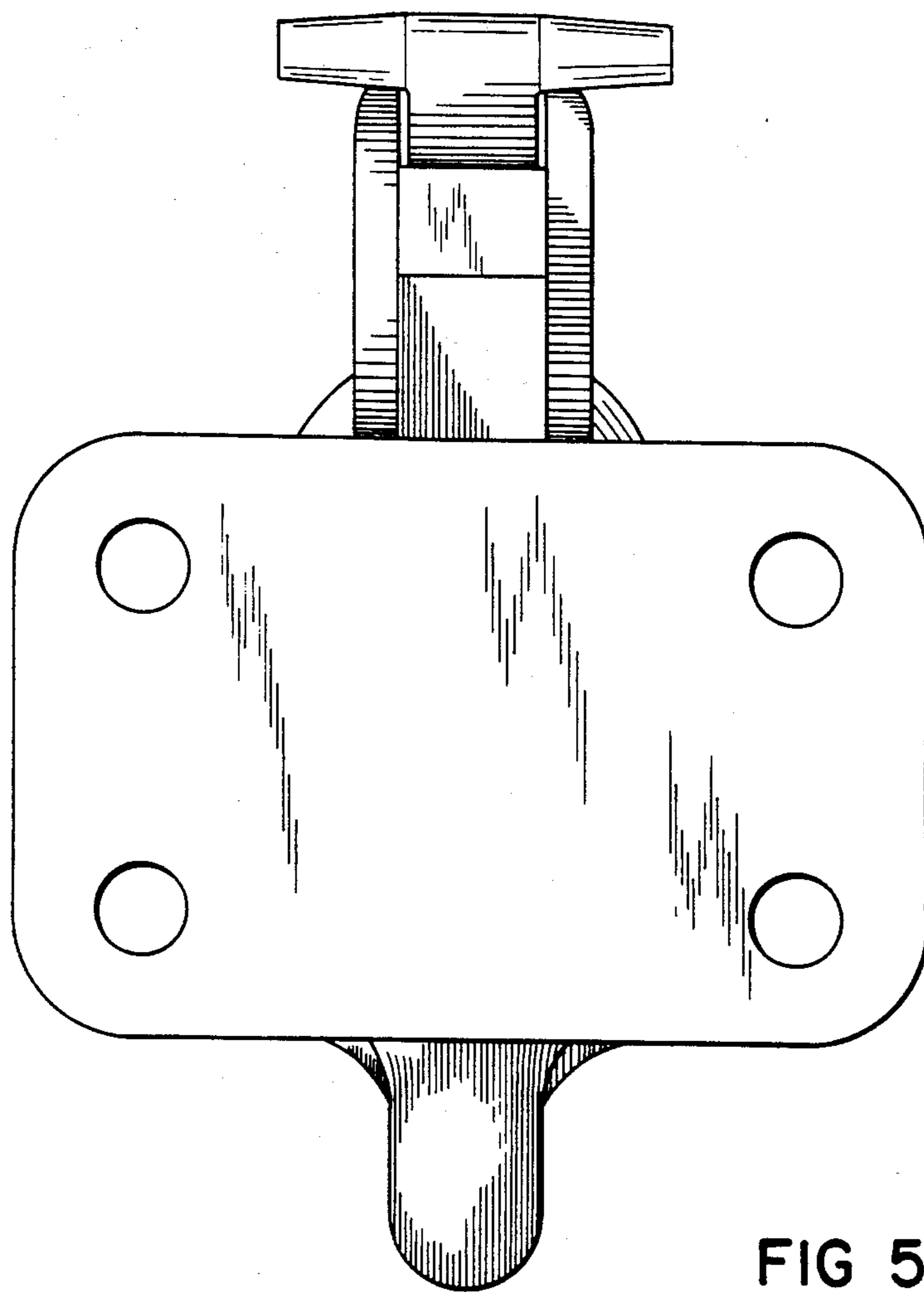


FIG 5

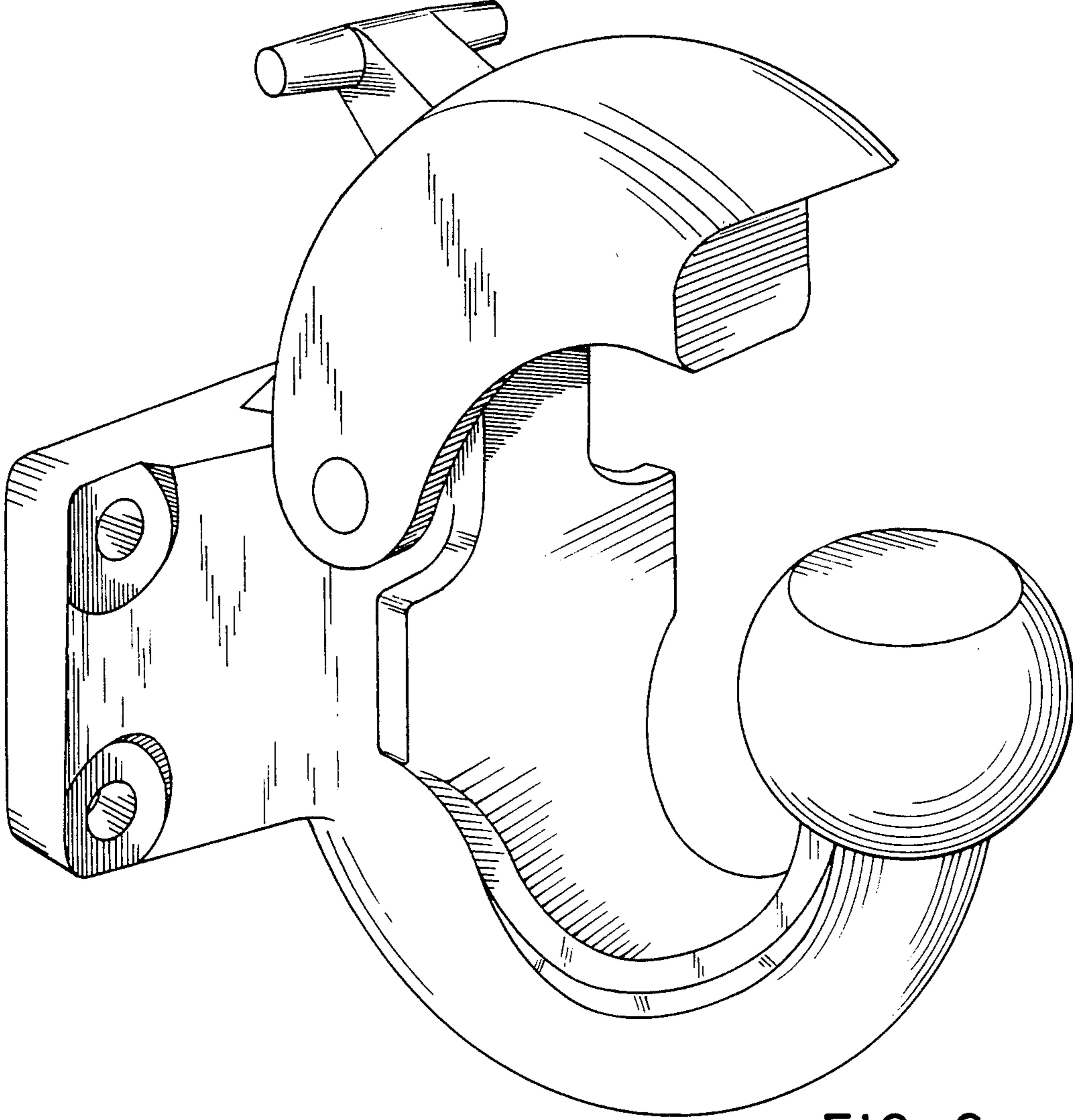


FIG 6