

[54] **COUNTDOWN TIMER**

[76] **Inventor: William P. Ketcham, 47 Sinaway Rd., Cos Cob, Conn. 06807**

[**] **Term: 14 Years**

[21] **Appl. No.: 459,372**

[22] **Filed: Jan. 20, 1983**

[52] **U.S. Cl. D10/40**

[58] **Field of Search D10/30, 40, 122-126; 368/101, 107-108, 110-113, 285**

[56] **References Cited**

U.S. PATENT DOCUMENTS

D. 252,614	8/1979	Thornberry	D10/40
D. 260,375	8/1981	Kane	D10/40
D. 267,784	2/1983	Heuer	D10/30
D. 267,785	2/1983	Heuer	D10/30
D. 275,082	8/1984	Goodin	D10/40

OTHER PUBLICATIONS

European Jeweler—5/75—p. 73—Stopwatch at top.
Sporting Goods Dealer—9/77—p. 215—Stopwatch at top.

Merchandising—9/78—p. 75—Stopwatch at left.

Primary Examiner—Nelson C. Holtje
Attorney, Agent, or Firm—Mandeville & Schweitzer

[57] **CLAIM**

The ornamental design for a countdown timer, substantially as shown.

DESCRIPTION

FIG. 1 is a front elevational view of a countdown timer showing my new design;

FIG. 2 is a left side elevational view thereof;

FIG. 3 is a right side elevational view thereof;

FIG. 4 is a rear elevational view thereof;

FIG. 5 is a top plan view thereof; and

FIG. 6 is a bottom plan view thereof.

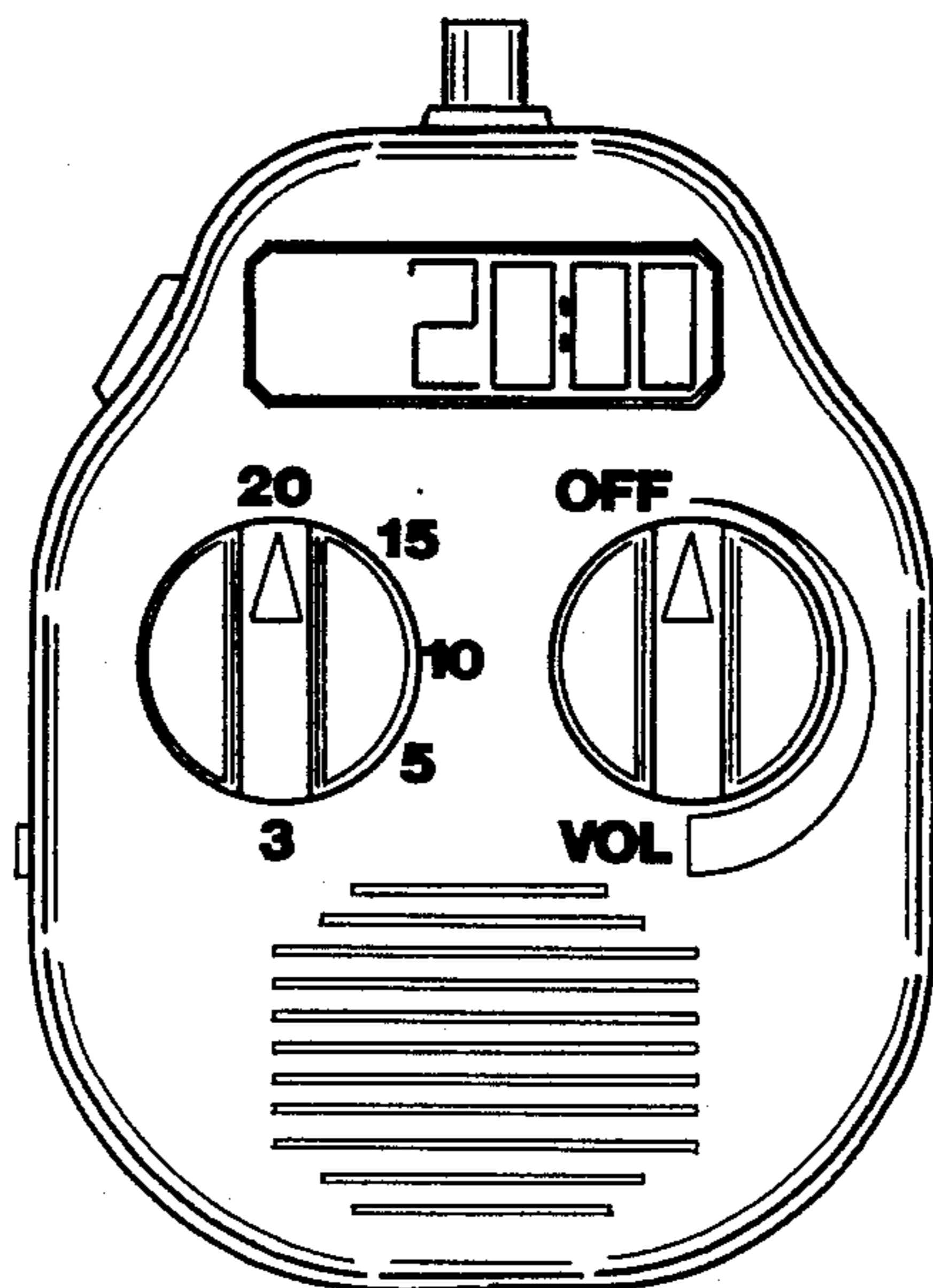


FIG. 1

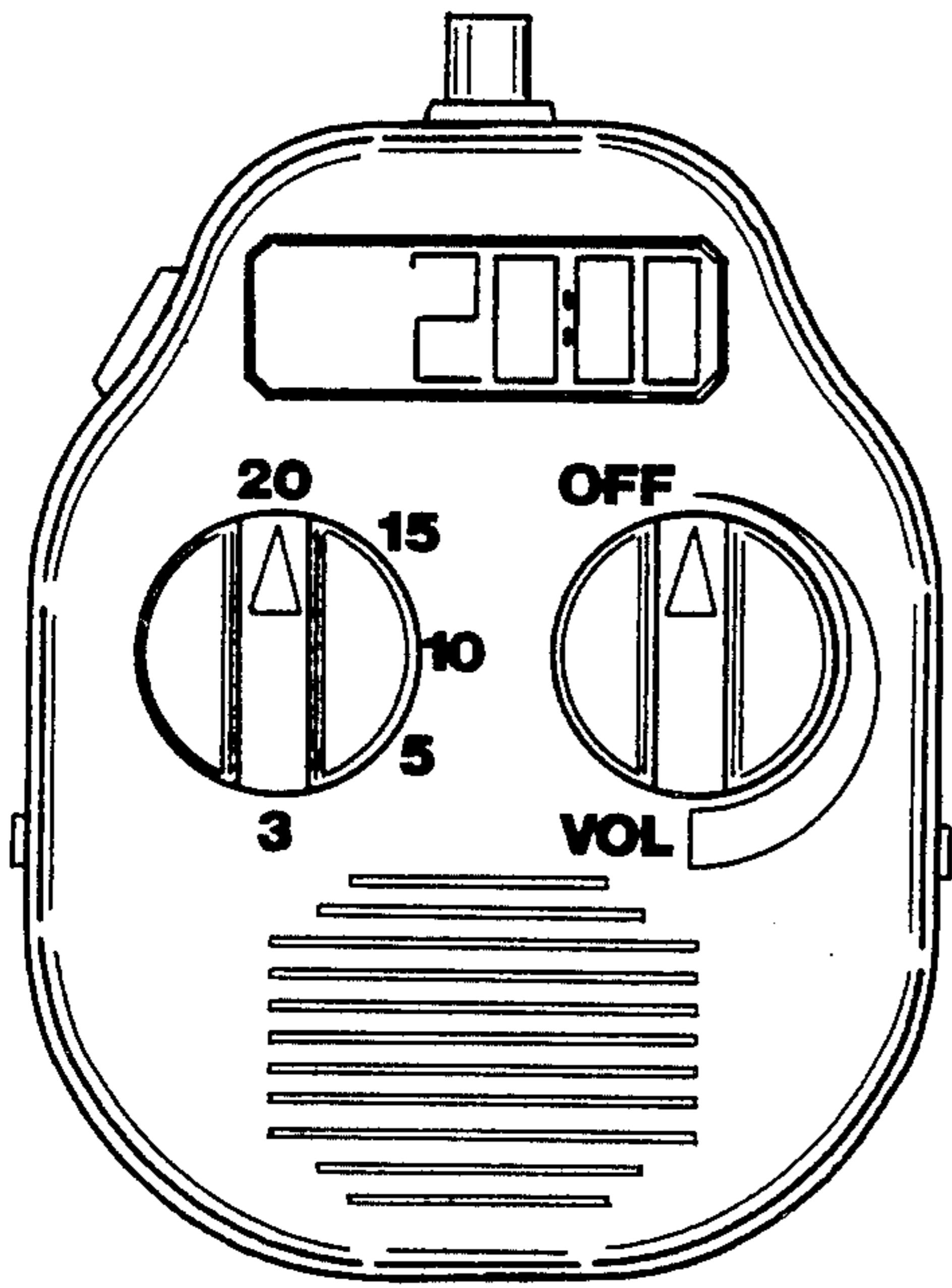


FIG. 2

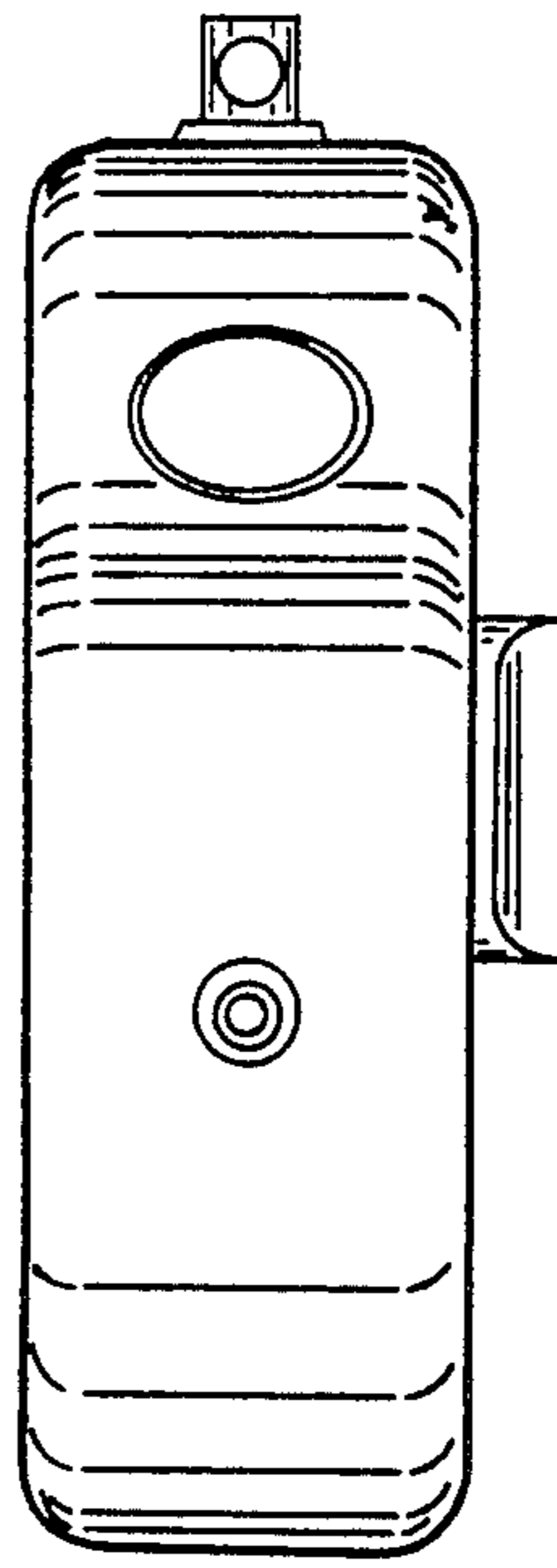


FIG. 3

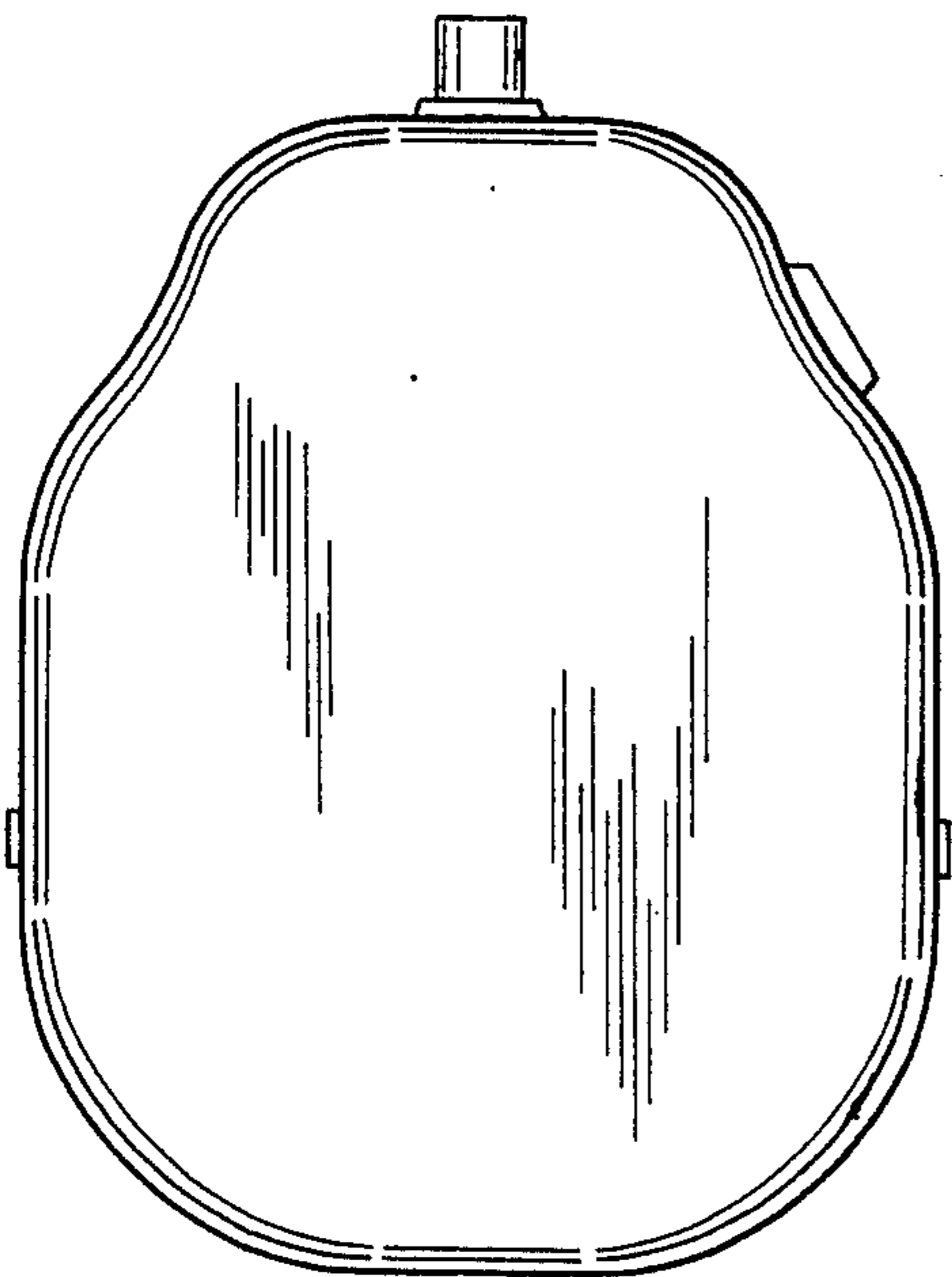
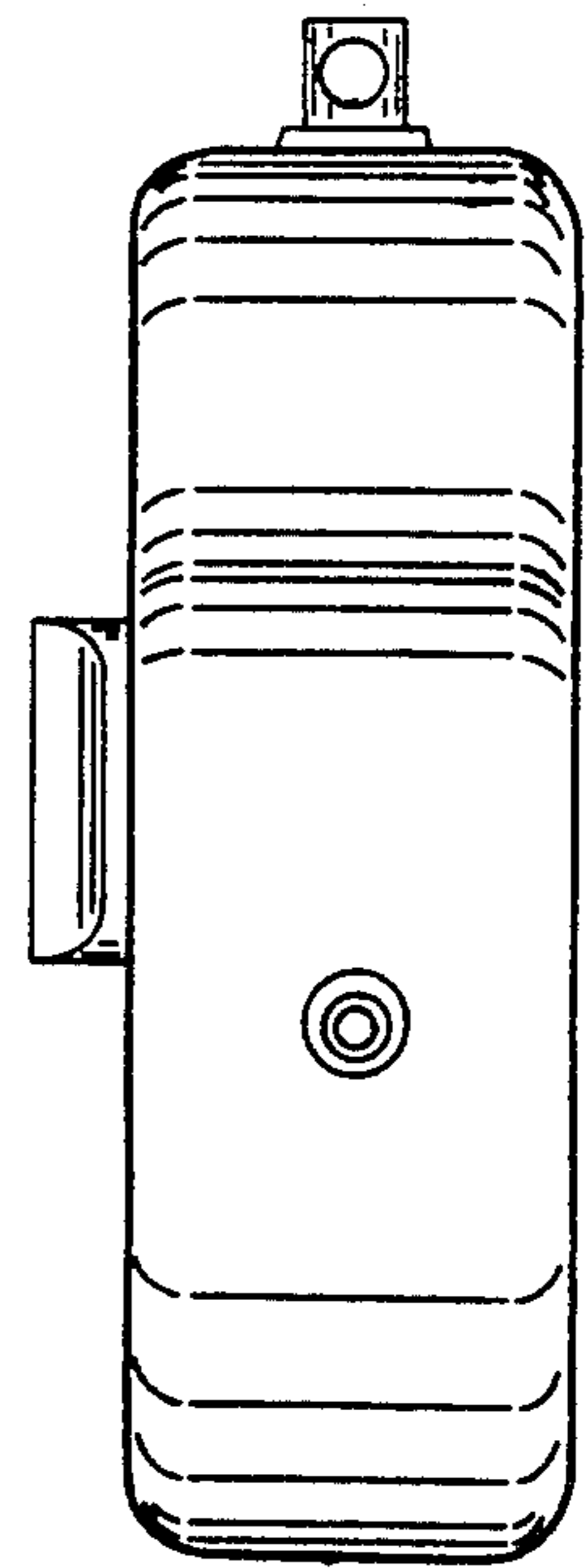


FIG. 4

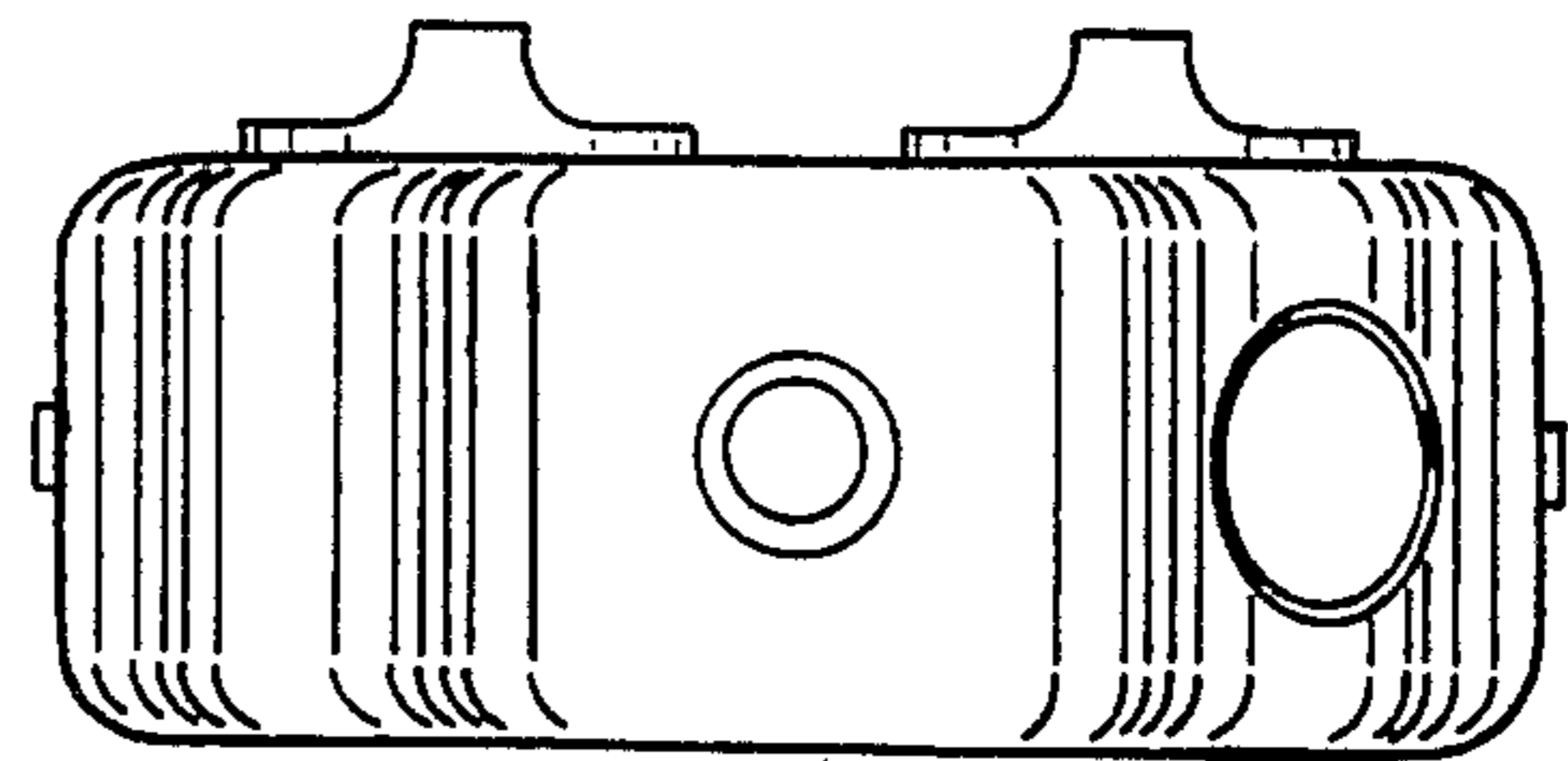


FIG. 5

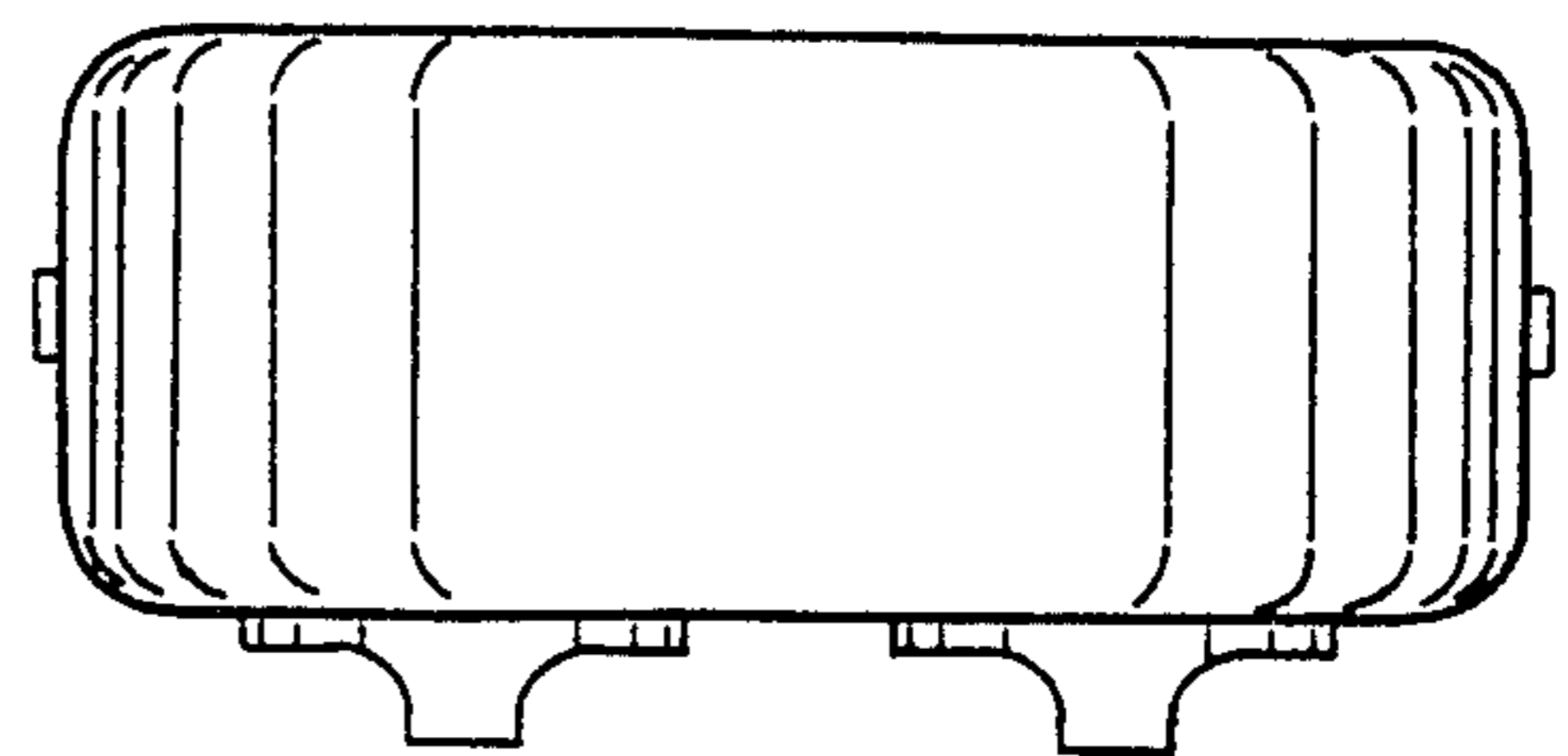


FIG. 6