

[54] DISPENSING CLOSURE

[76] Inventor: Wayne R. Banasik, 24N064 Lakeside Dr., Lake Zurich, Ill. 60047

[**] Term: 14 Years

[21] Appl. No.: 328,467

[22] Filed: Dec. 7, 1981

[52] U.S. Cl. D9/447

[58] Field of Search D9/300, 440, 447, 448; 222/566, 567, 570, 44; 215/200

[56] References Cited

U.S. PATENT DOCUMENTS

D. 174,936 6/1955 Berman D9/447

D. 179,159 11/1956 Sanborn D9/447
D. 229,826 1/1974 Raptis D9/440
4,243,157 1/1981 Rettberg D9/448 X

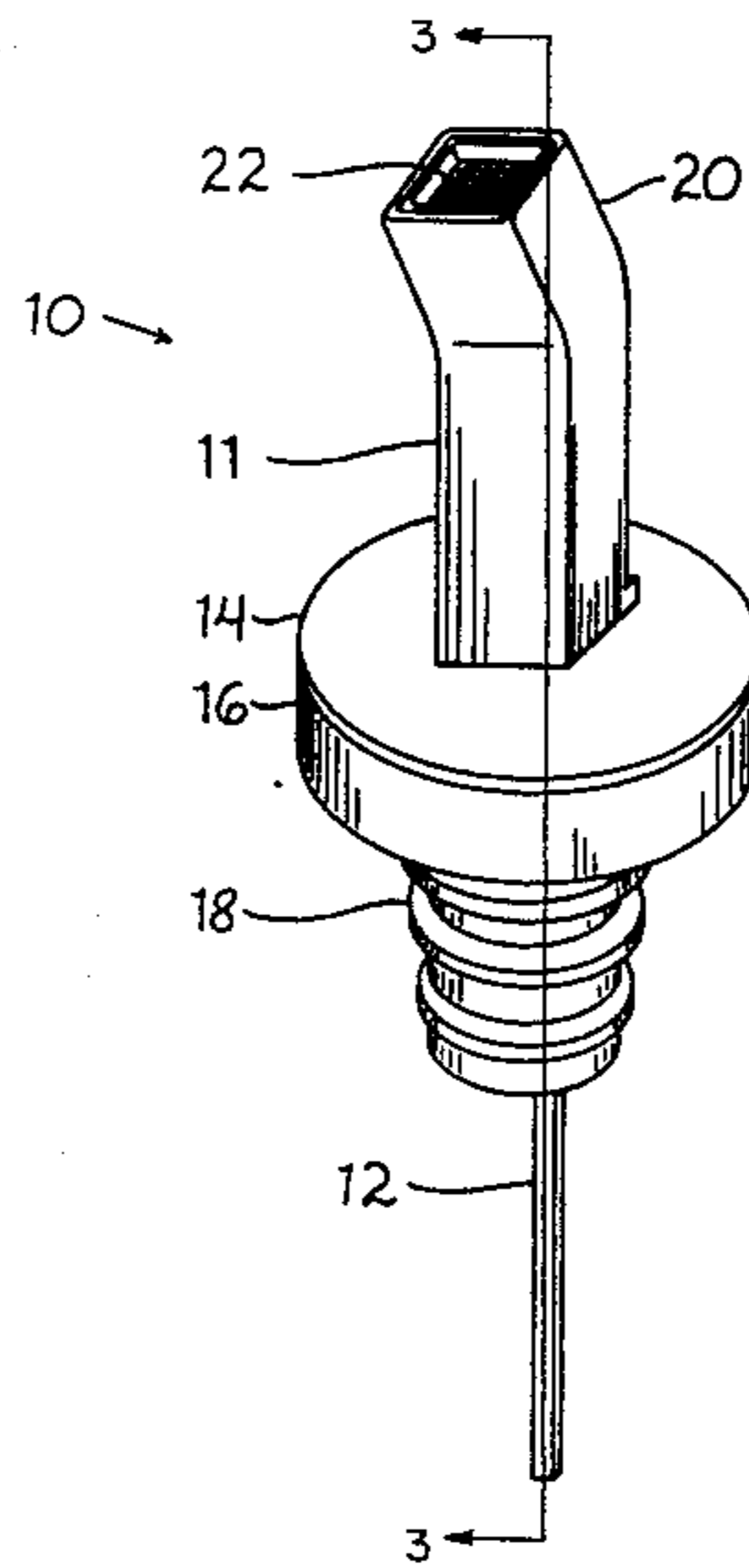
Primary Examiner—Robert C. Spangler
Attorney, Agent, or Firm—Mathew R. P. Perrone, Jr.

[57] CLAIM

The ornamental design for a dispensing closure, as shown.

DESCRIPTION

FIG. 1 is a perspective view of a dispensing closure showing my new design; FIG. 2 is a fragmentary rear perspective view; and FIG. 3 is a sectional view taken on the line 3—3 of FIG. 1.



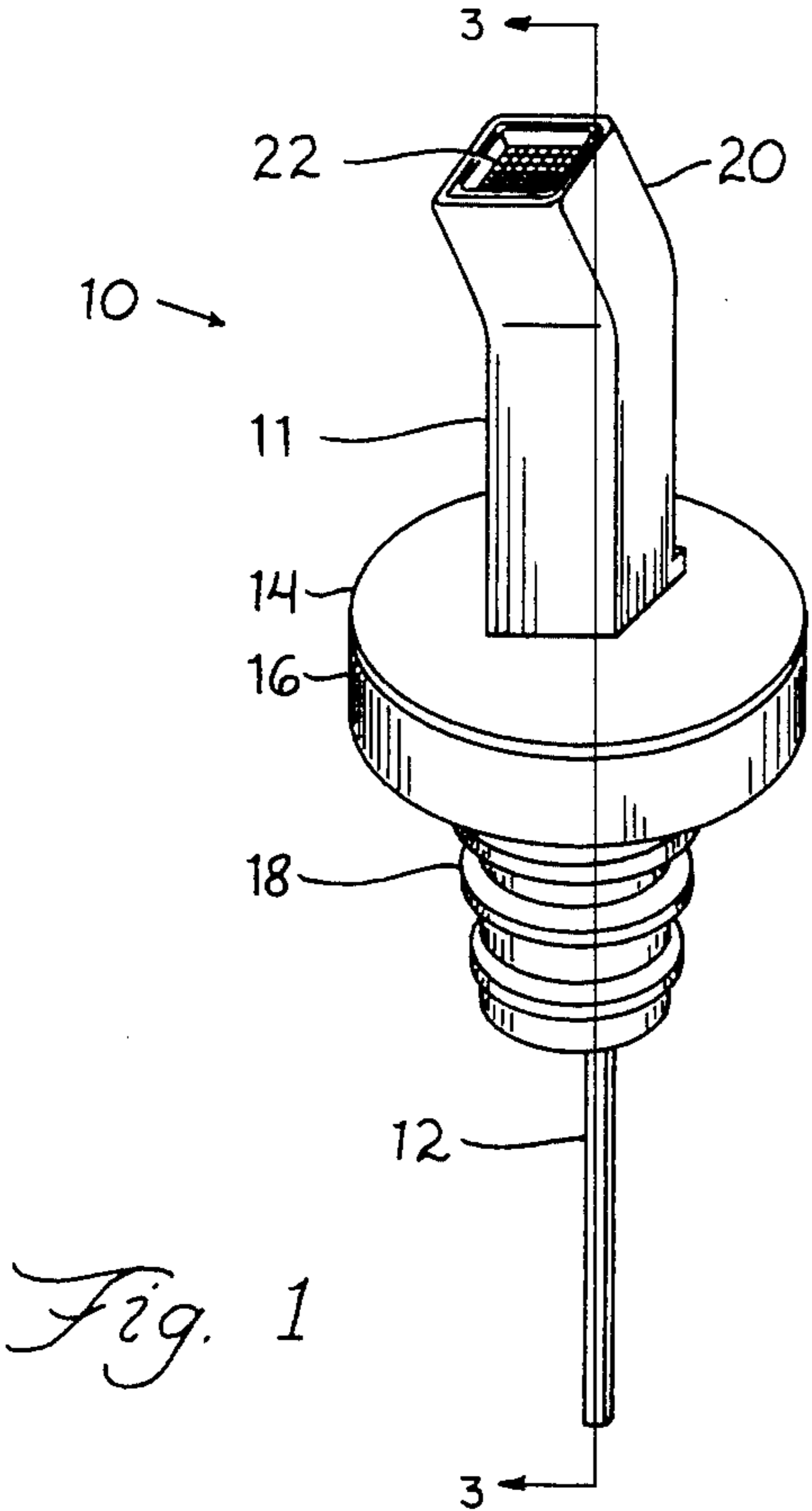


Fig. 1

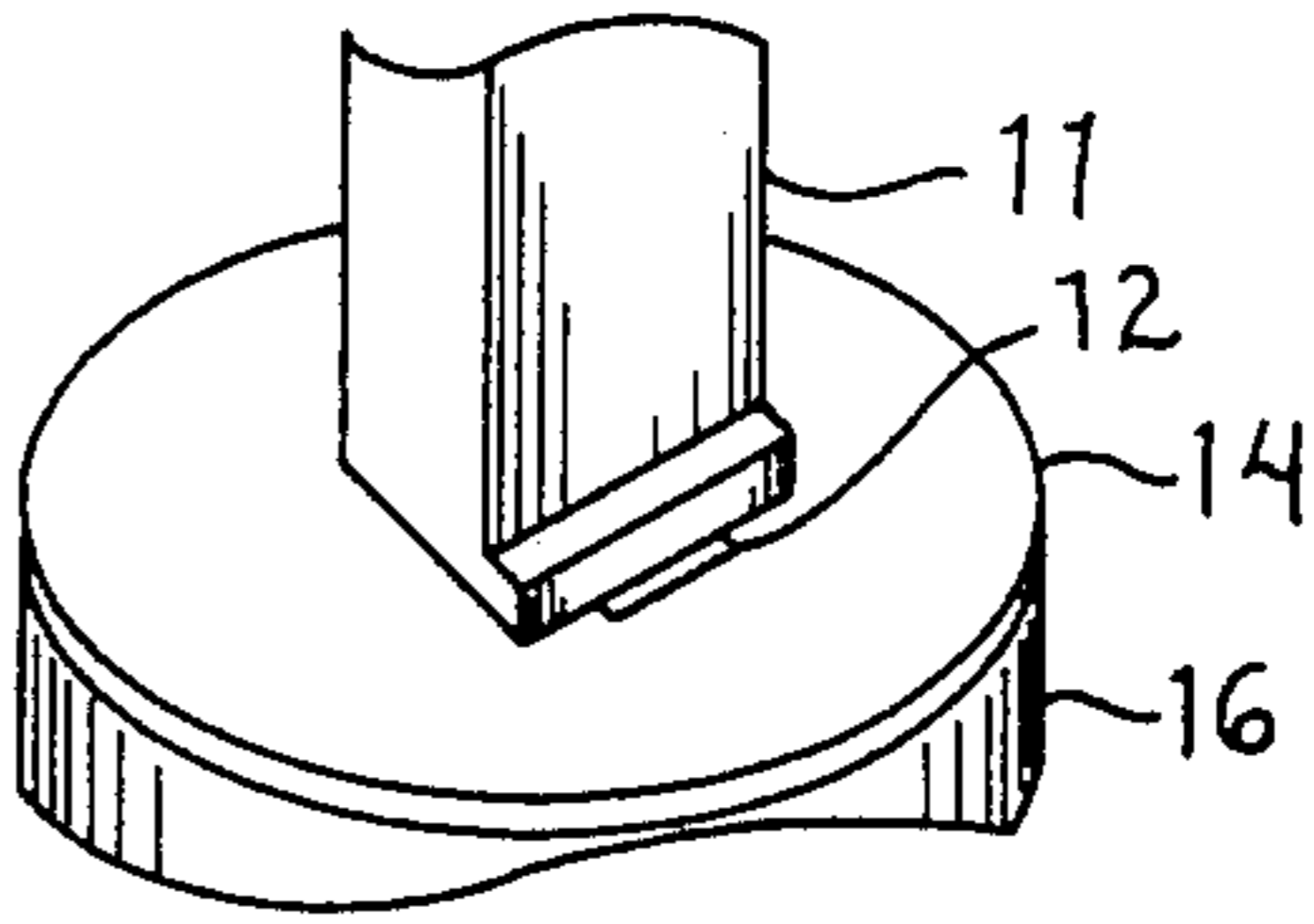


Fig. 2

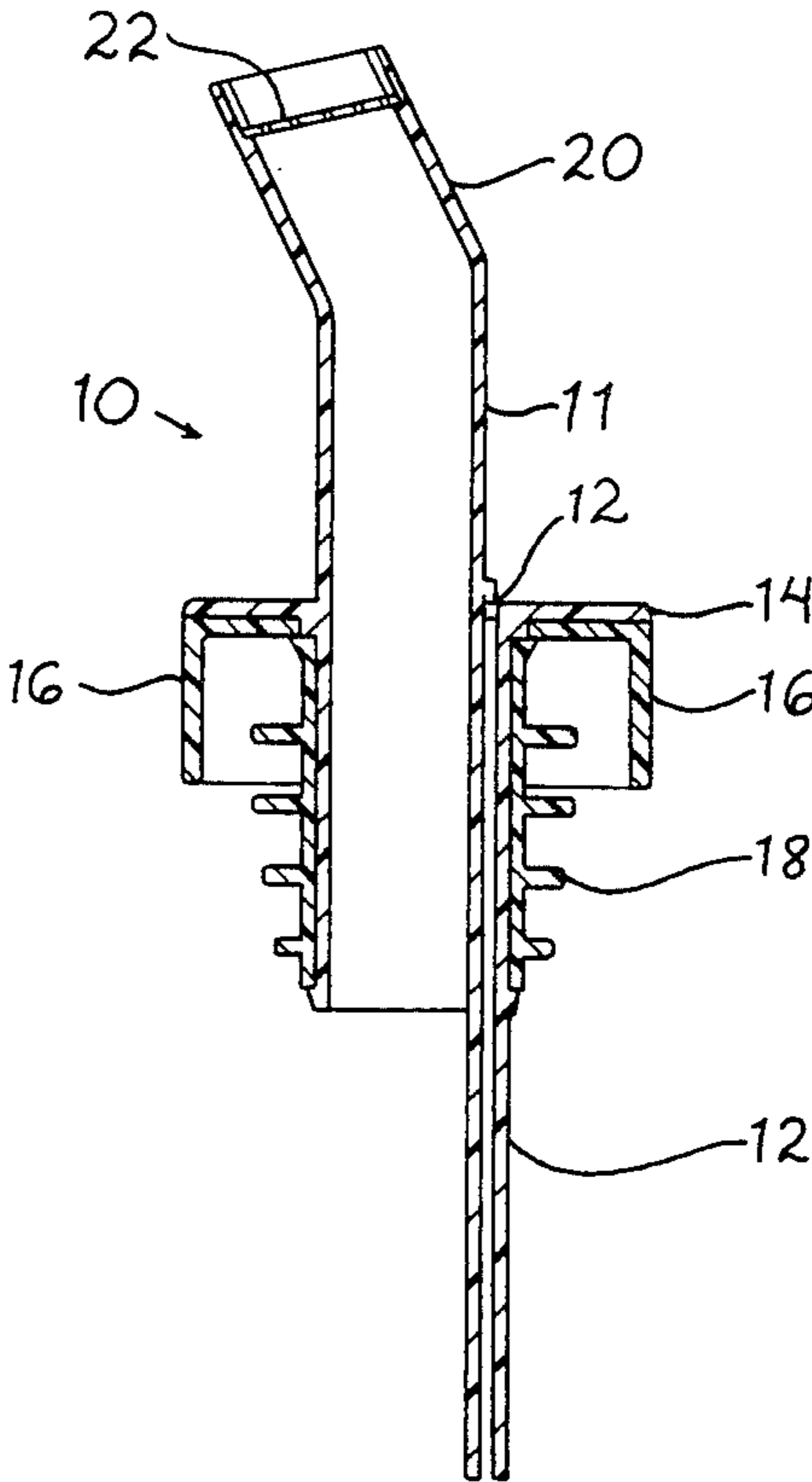


Fig. 3