

[54] **SWIMMING POOL COVER POSITIONING UNIT**

[75] **Inventor: Edward R. Smith, Blairstown, N.J.**

[73] **Assignee: Sealed Air Corporation, Fair Lawn, N.J.**

[**] **Term: 14 Years**

[21] **Appl. No.: 444,709**

[22] **Filed: Nov. 26, 1982**

[52] **U.S. Cl. D8/354; D8/382; D8/394**

[58] **Field of Search D8/349, 354, 382, 394; 4/498, 499, 503; 126/415, 416; 220/218**

[56] **References Cited**

U.S. PATENT DOCUMENTS

4,197,595 4/1980 Dearing 4/503
4,222,366 9/1980 Acker 126/415

Primary Examiner—B. J. Bullock

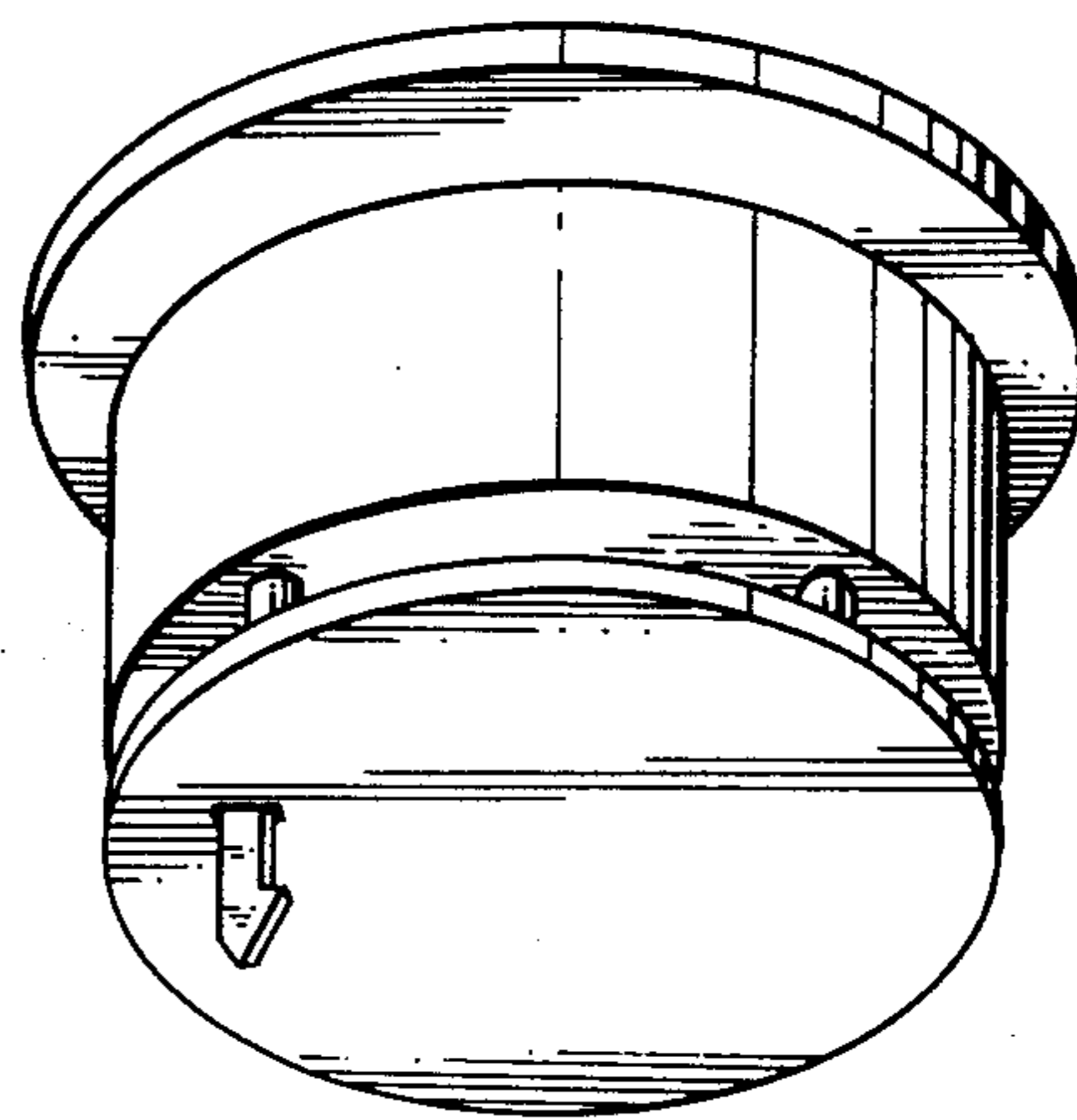
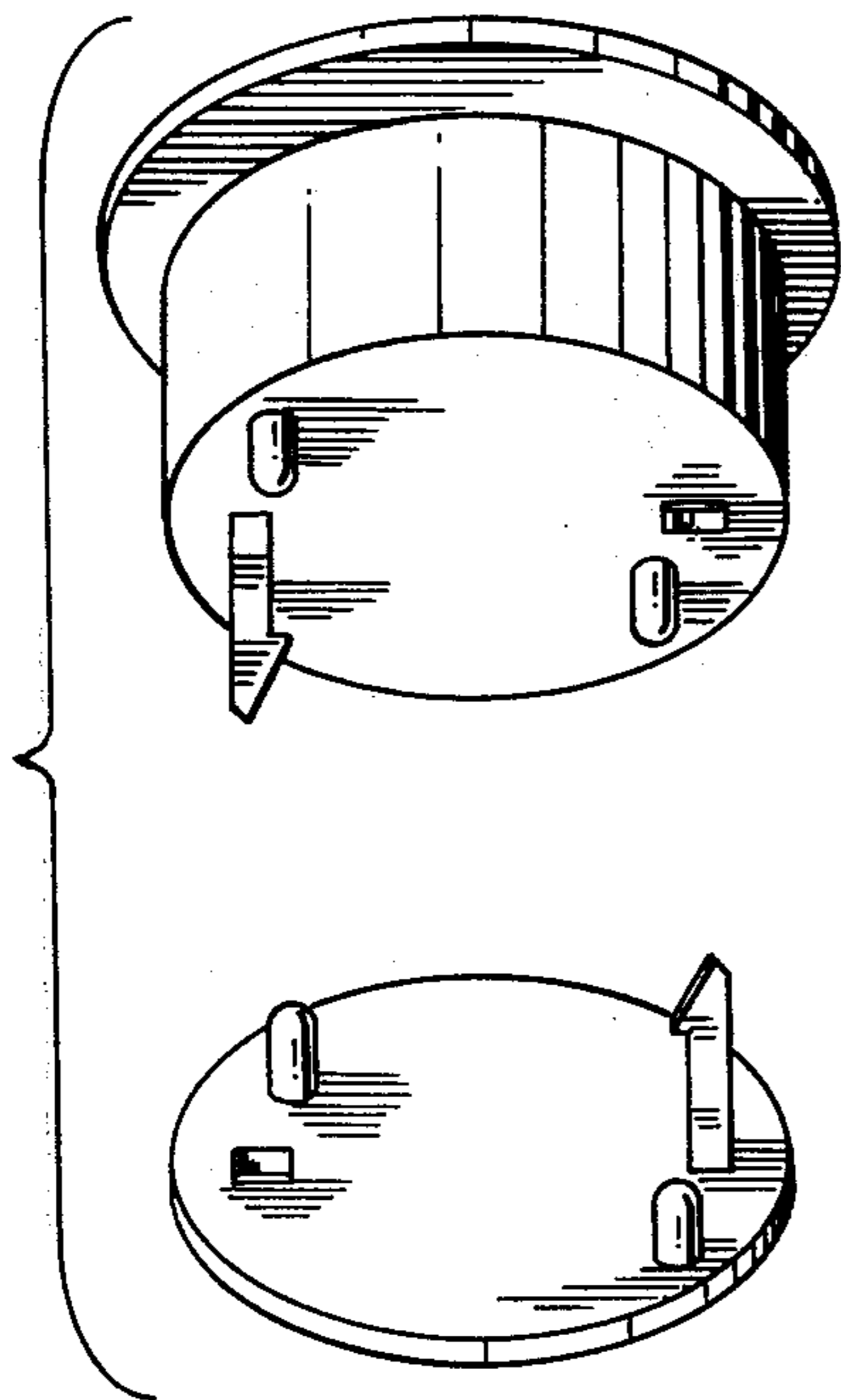
Attorney, Agent, or Firm—Lerner, David, Littenberg, Krumholz & Mentlik

[57] **CLAIM**

The ornamental design for a swimming pool cover positioning unit, substantially as shown and described.

DESCRIPTION

FIG. 1 is an exploded perspective view of a swimming pool cover positioning unit showing my new design; FIG. 2 is a top plan view of the upper element, shown separately for clarity of illustration; FIG. 3 is a bottom plan view of FIG. 2; FIG. 4 is a rear elevational view of FIG. 2; FIG. 5 is a left side elevational view of FIG. 2; FIG. 6 is a bottom plan view of the lower element, again shown separately for clarity of illustration; FIG. 7 is a top plan view of FIG. 6; FIG. 8 is a front elevational view of FIG. 6; FIG. 9 is a left side elevational view of FIG. 6; and FIG. 10 is a perspective view of the upper and lower elements in the assembled condition.



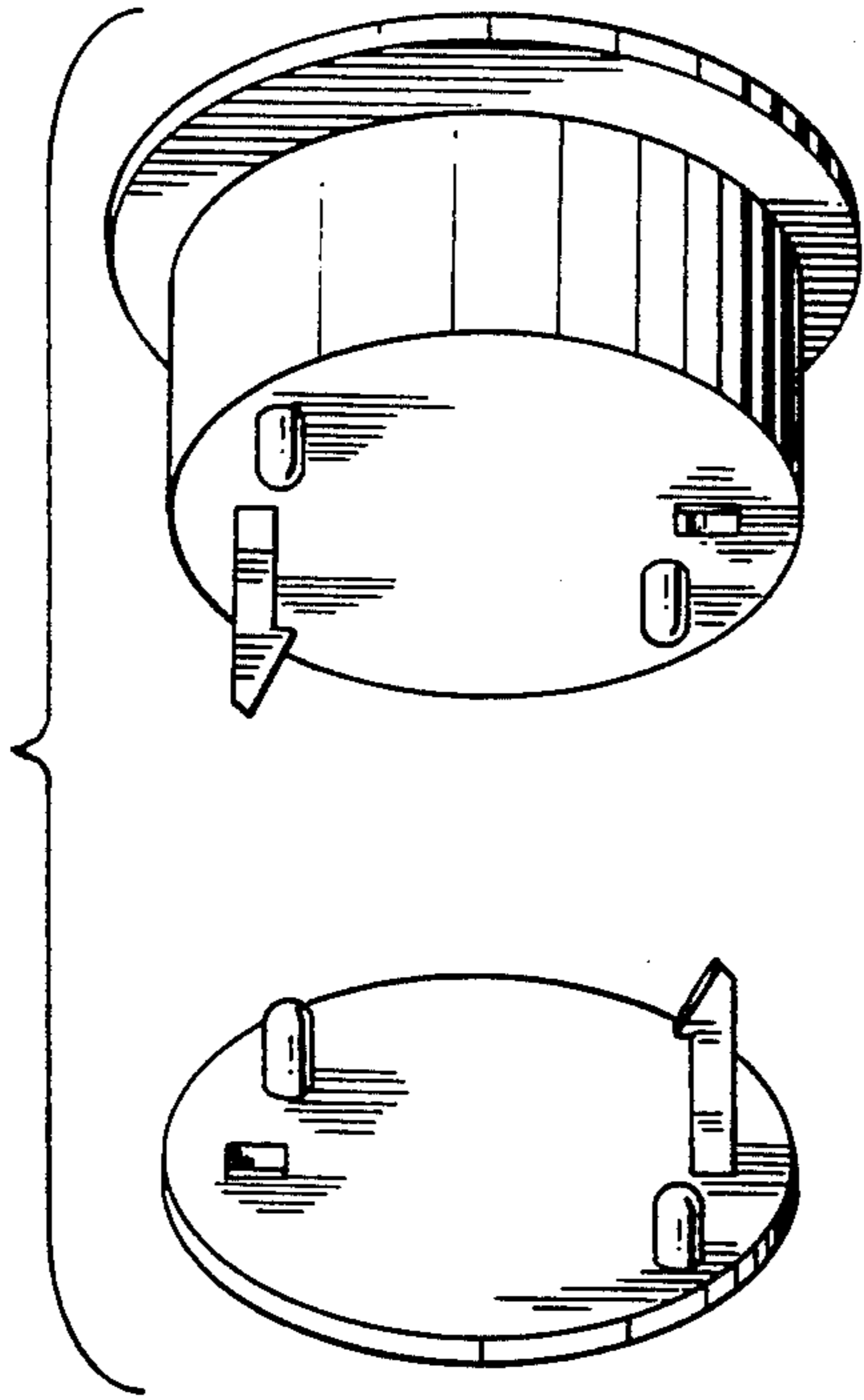


FIG. 1

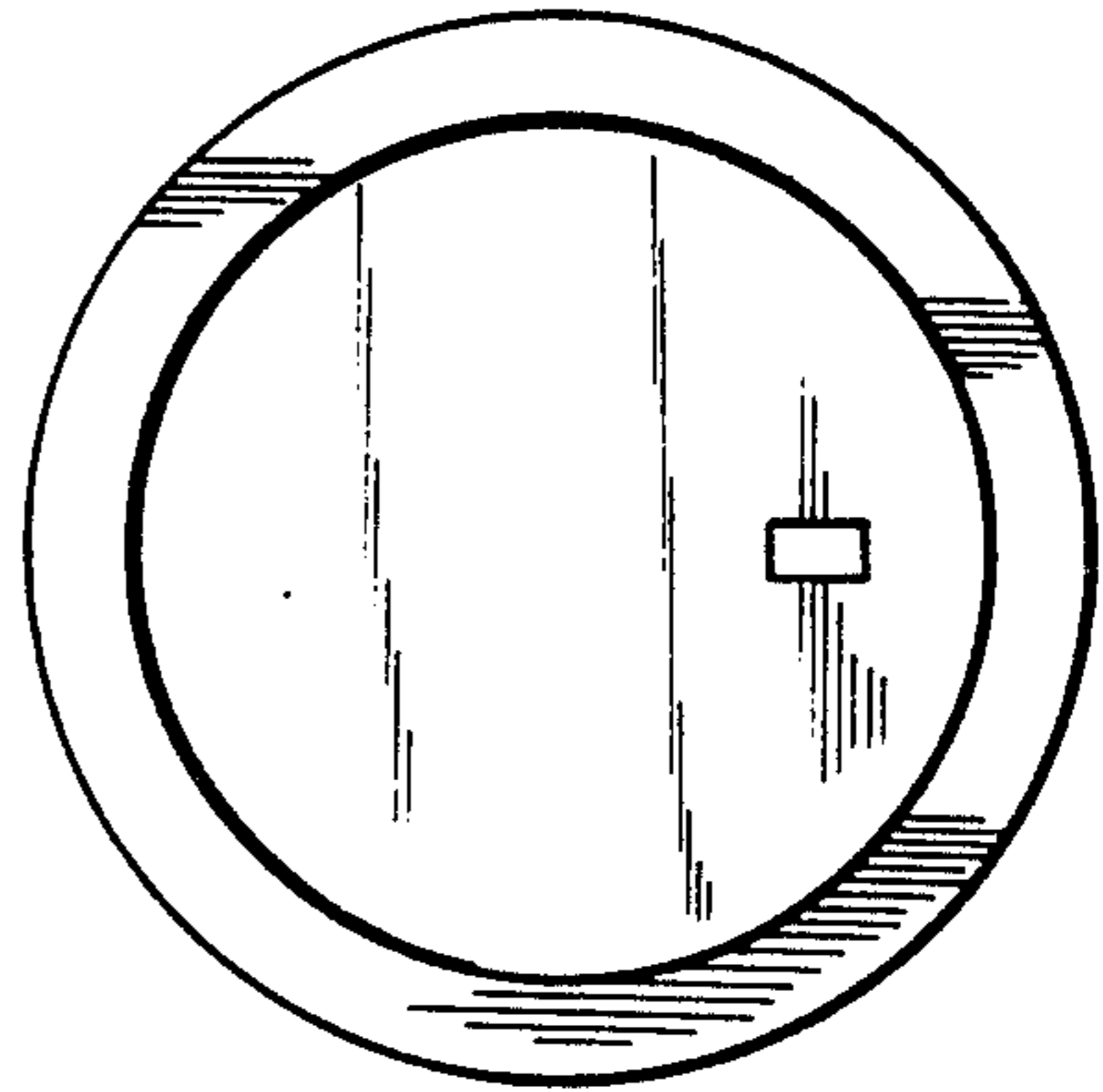


FIG. 2

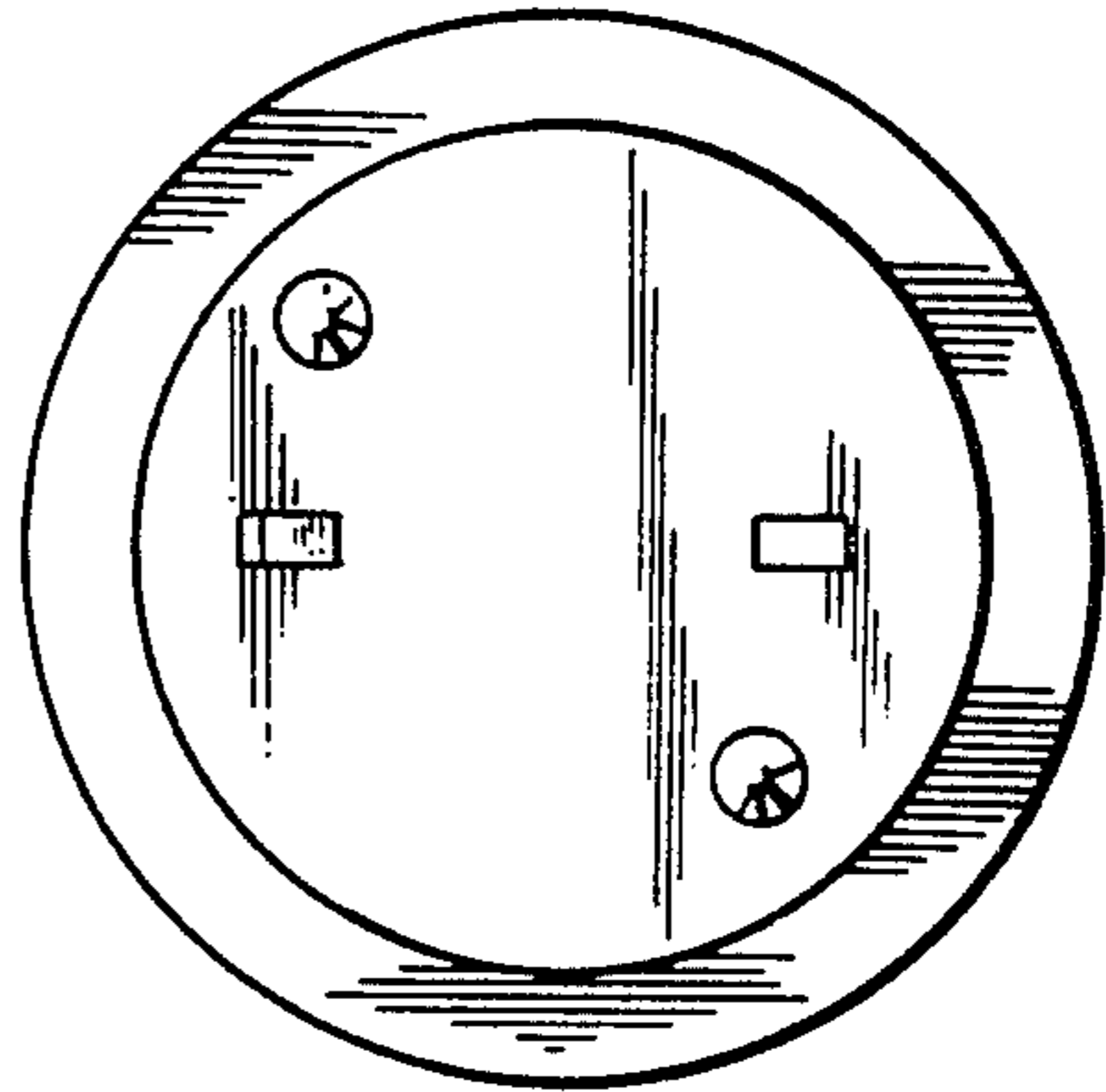


FIG. 3

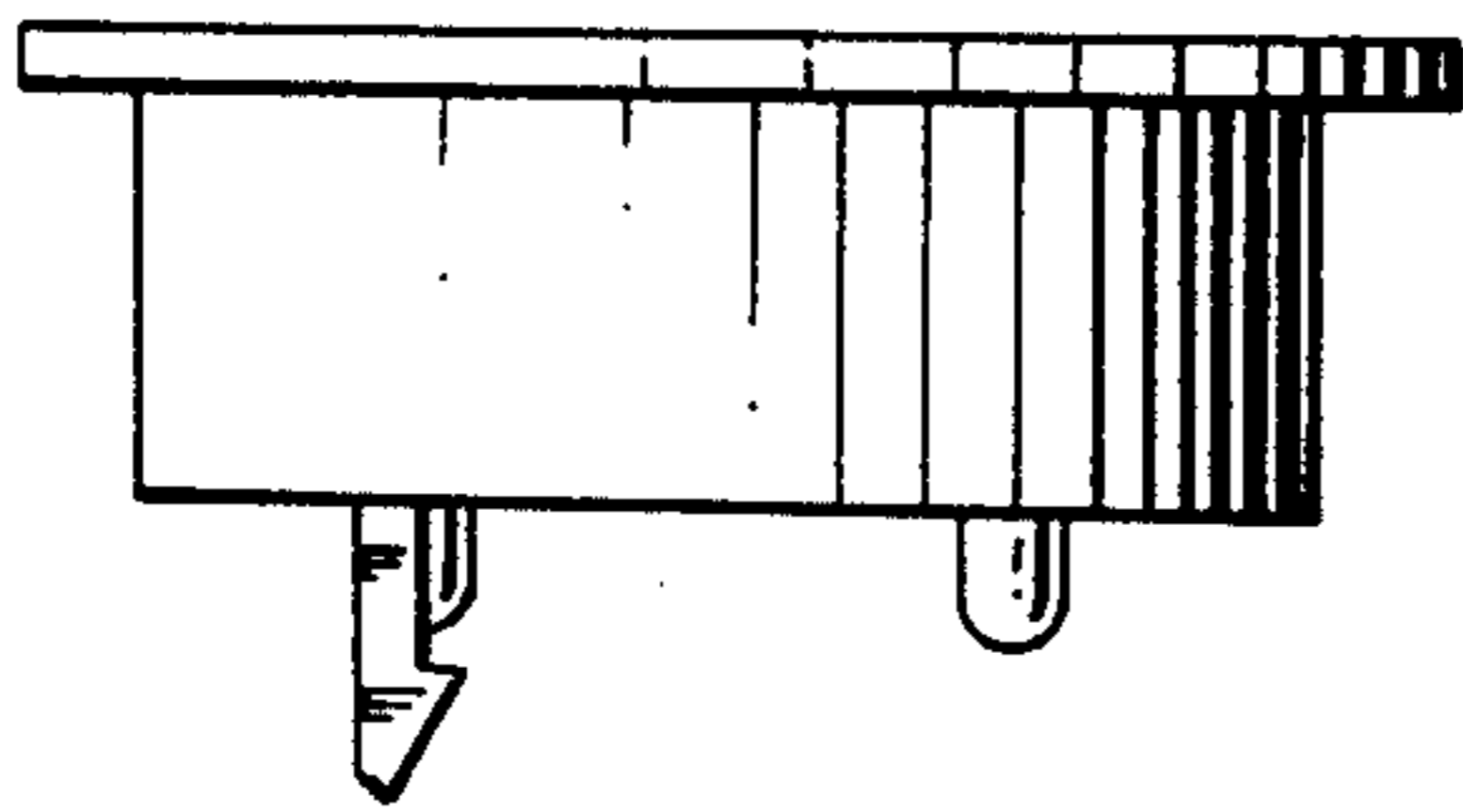


FIG. 4

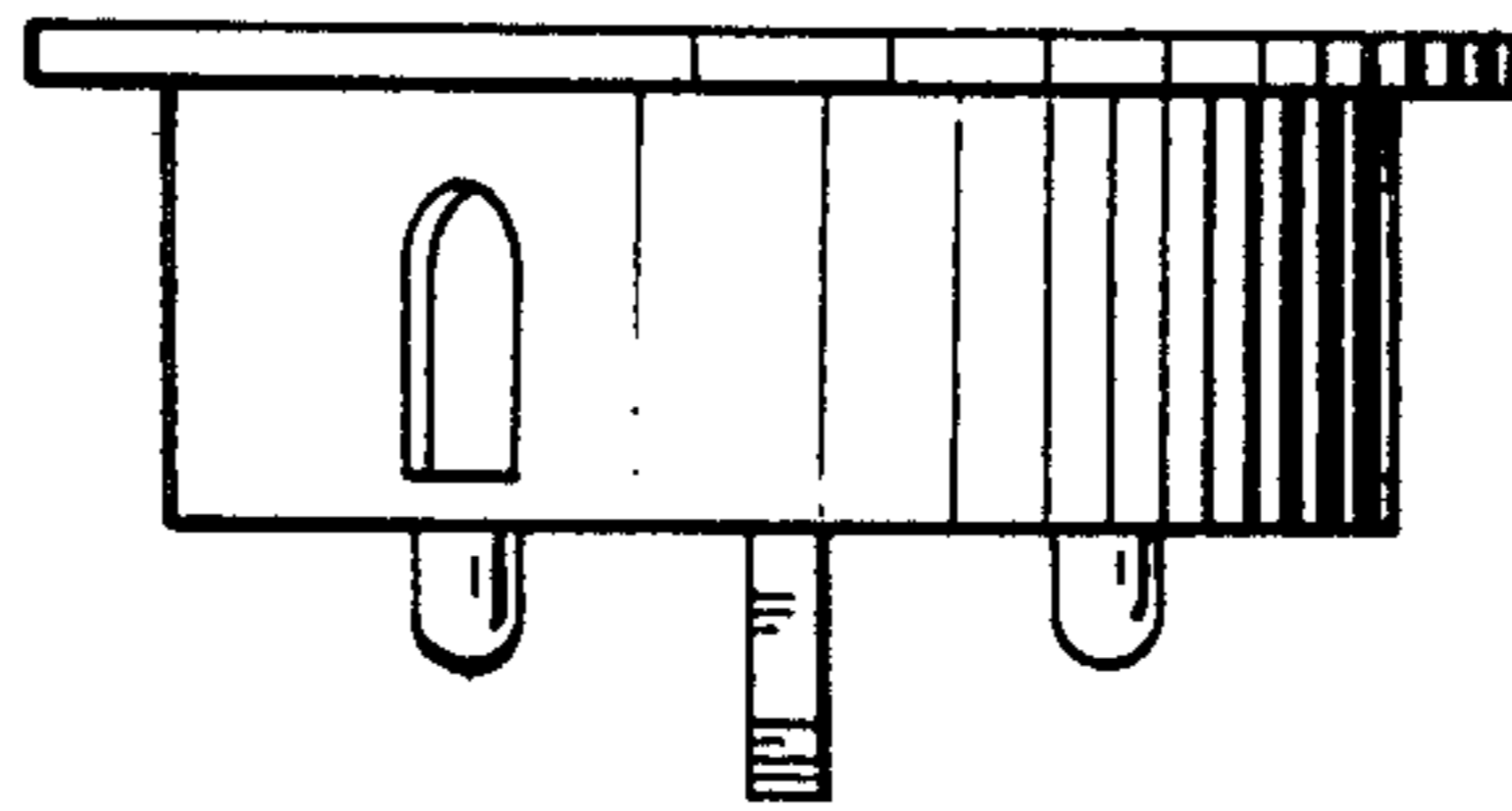


FIG. 5

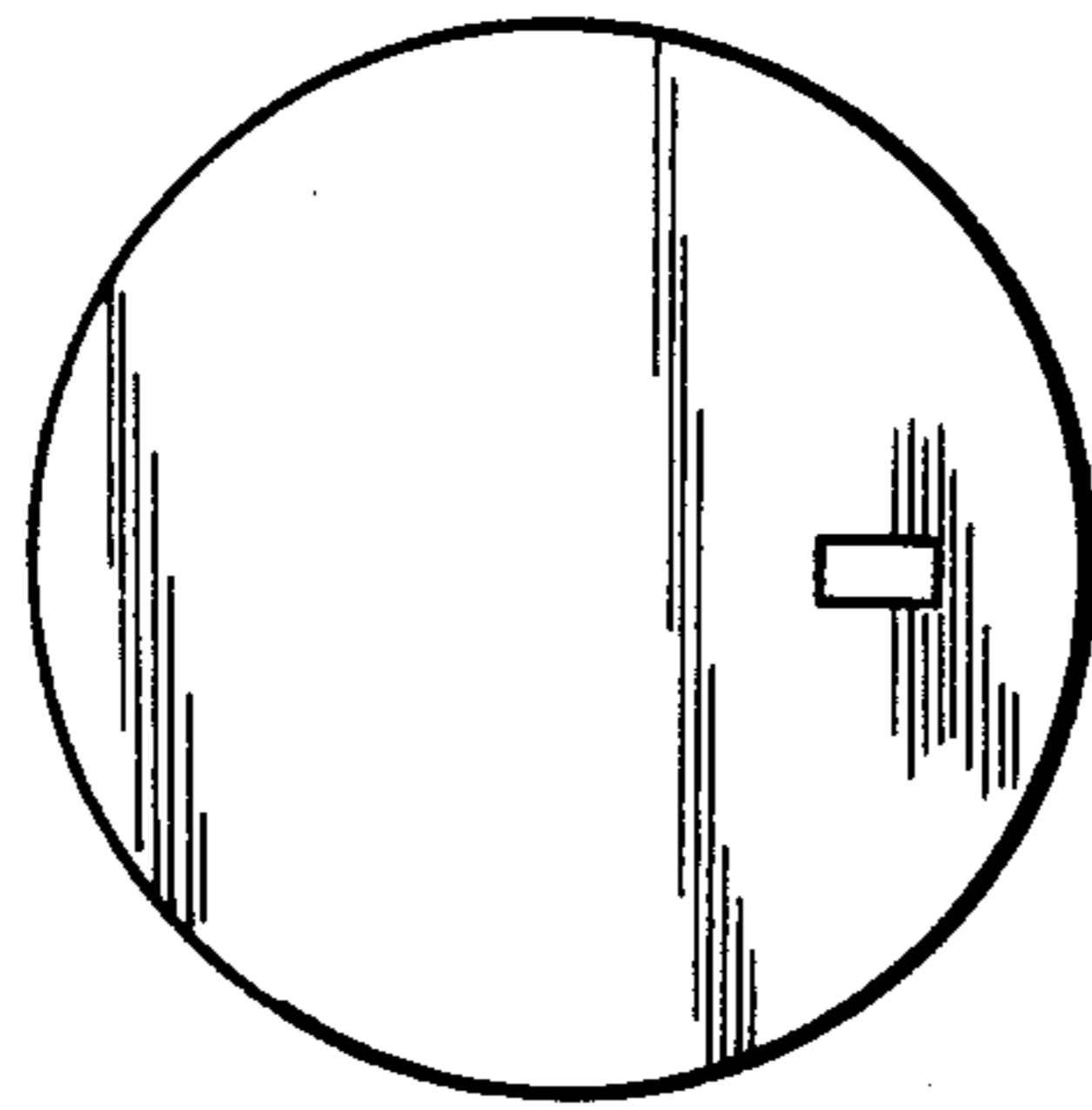


FIG. 6

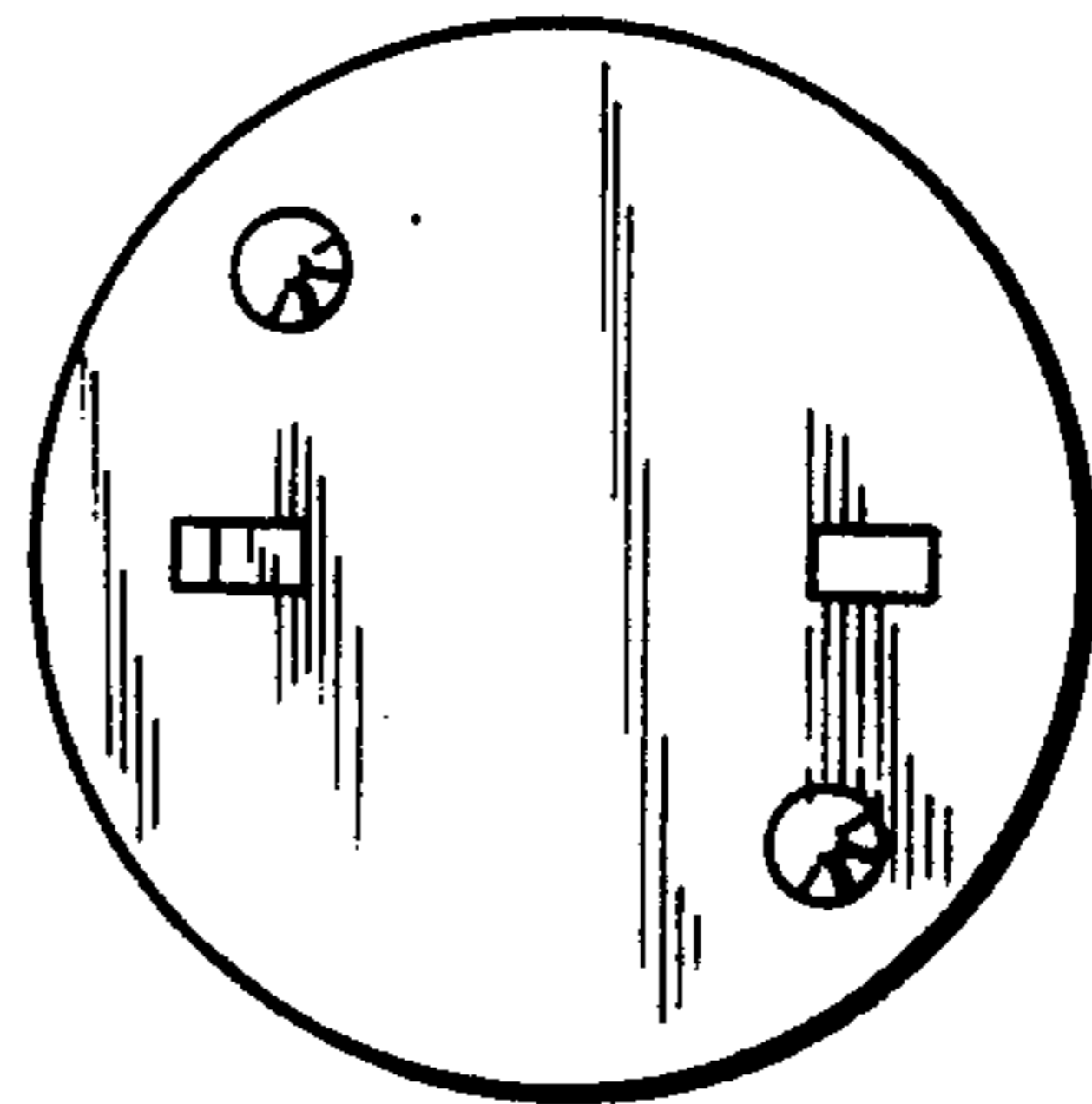


FIG. 7

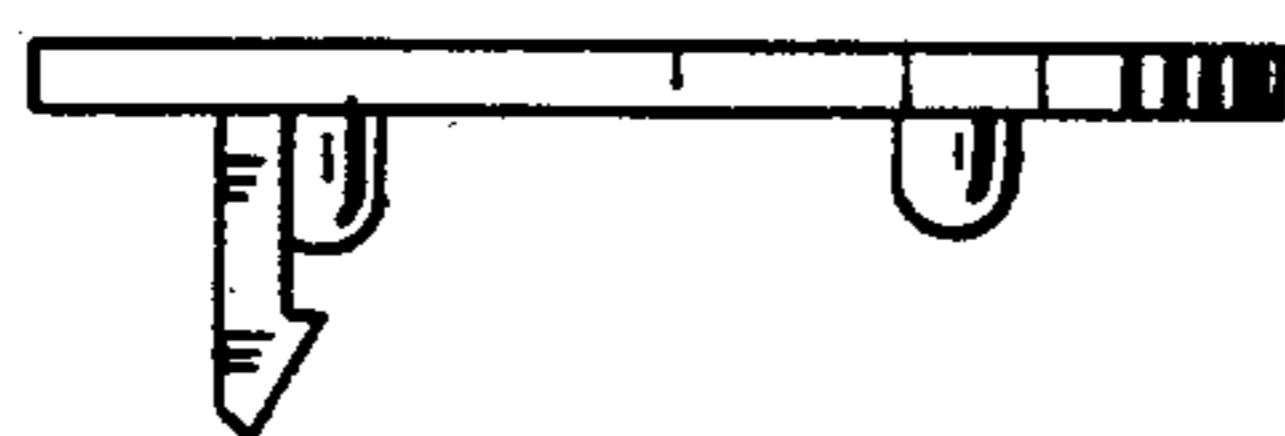


FIG. 8

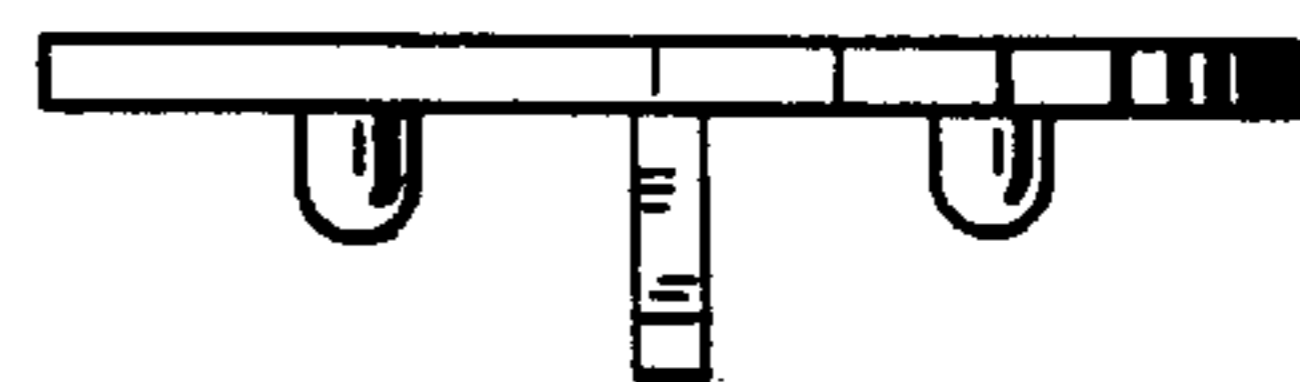


FIG. 9

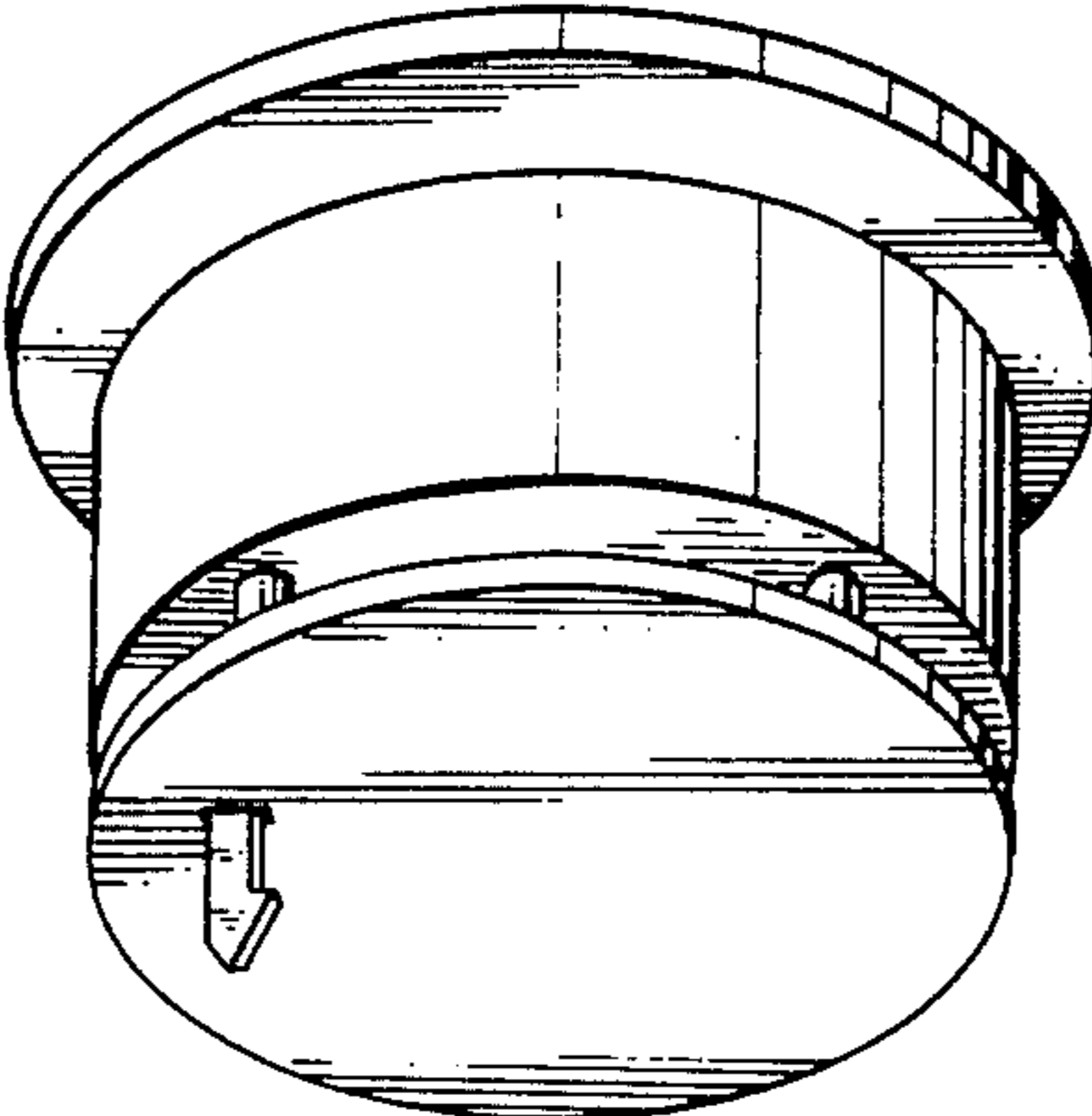


FIG. 10