

United States Patent [19]

Bounds

[11] Patent Number: **Des. 279,159**

[45] Date of Patent: **** Jun. 11, 1985**

[54] **CONDIMENT DISPENSER**

[76] Inventor: **William E. Bounds, 3737 W. 240th St., Torrance, Calif. 90505**

[**] Term: **14 Years**

[21] Appl. No.: **445,250**

[22] Filed: **Nov. 29, 1982**

[52] U.S. Cl. **D7/57**

[58] Field of Search **D7/52-58**

[56] **References Cited**

U.S. PATENT DOCUMENTS

D. 139,842	12/1944	Groetsch et al.	D7/57
D. 161,651	1/1951	Rosche	D7/57
D. 169,526	5/1953	Witzgall	D7/55
D. 256,080	7/1980	Bounds	D7/54 X
D. 257,205	10/1980	Bounds	D7/57

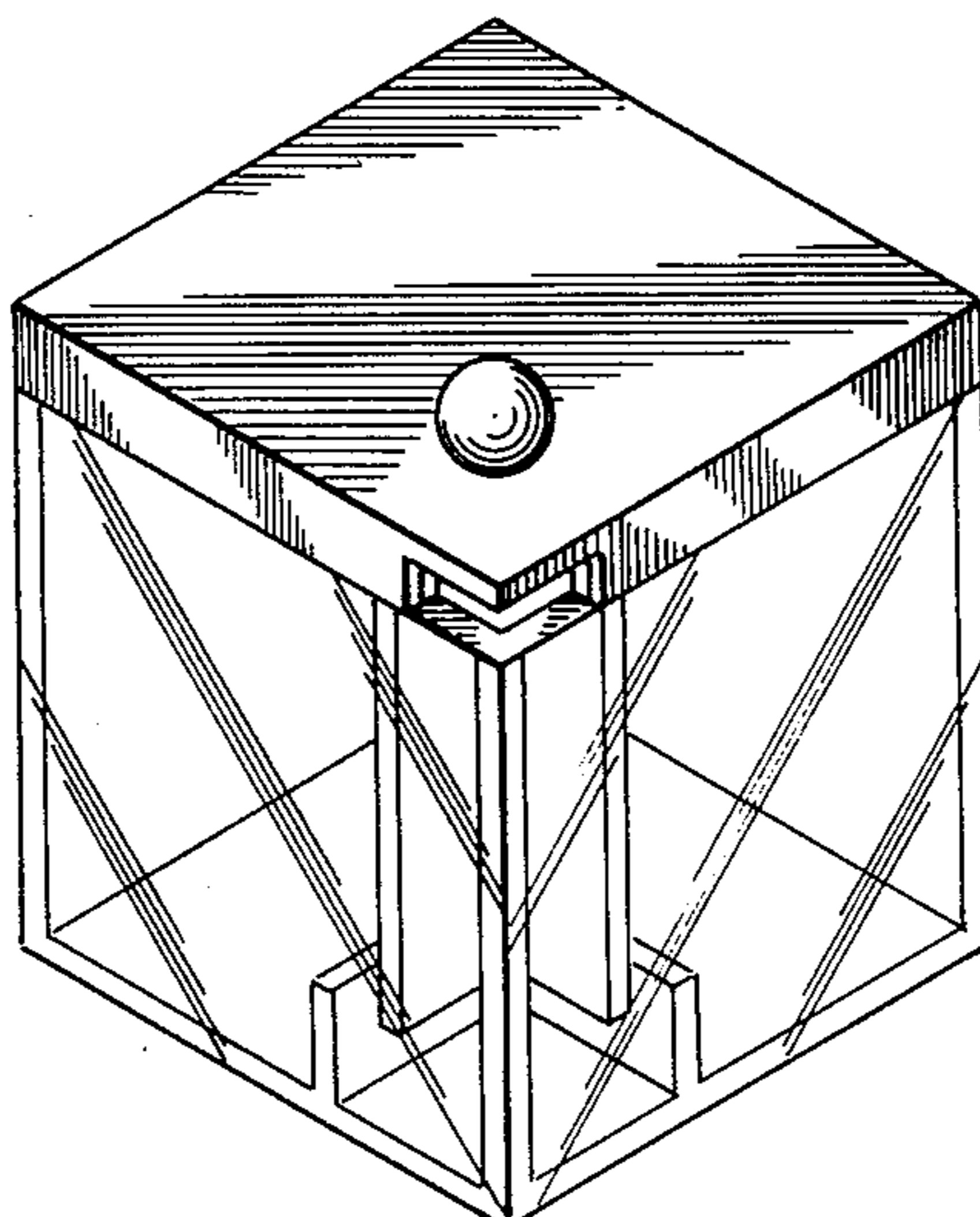
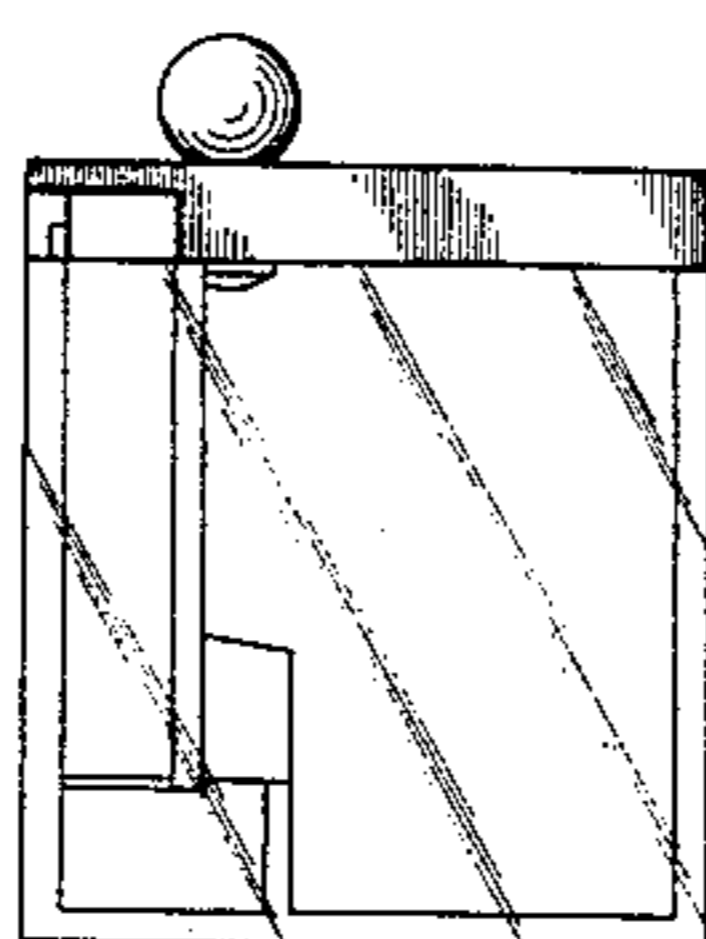
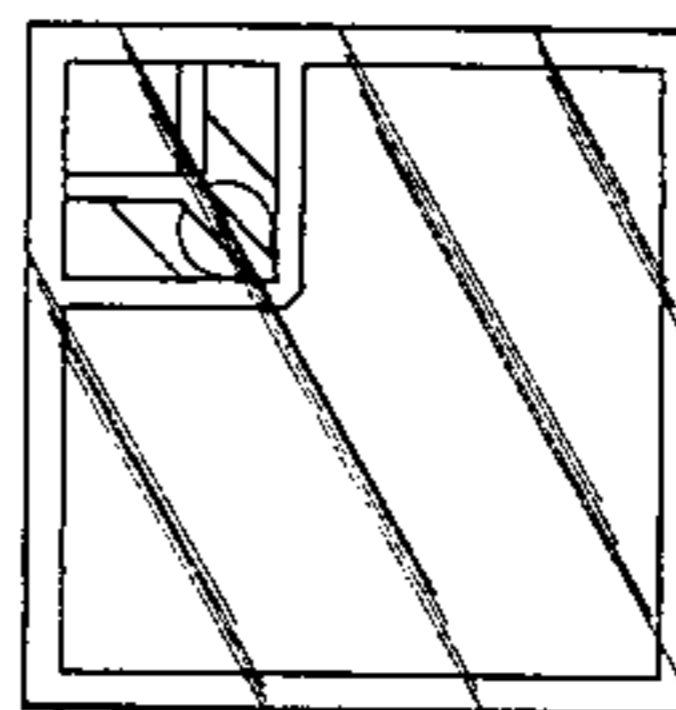
*Primary Examiner—Winifred E. Herrmann
Attorney, Agent, or Firm—Edward A. Sokolski*

[57] **CLAIM**

The ornamental design for a condiment dispenser, as shown and described.

DESCRIPTION

FIG. 1 is a top plan view of my new design for a condiment dispenser;
FIG. 2 is a front elevational view thereof;
FIG. 3 is a bottom plan view thereof;
FIG. 4 is a side elevational view thereof;
FIG. 5 is a rear elevational view thereof;
FIG. 6 is a side elevational view thereof taken from the side opposite to that shown in FIG. 4; and
FIG. 7 is a top front and left side perspective view thereof.



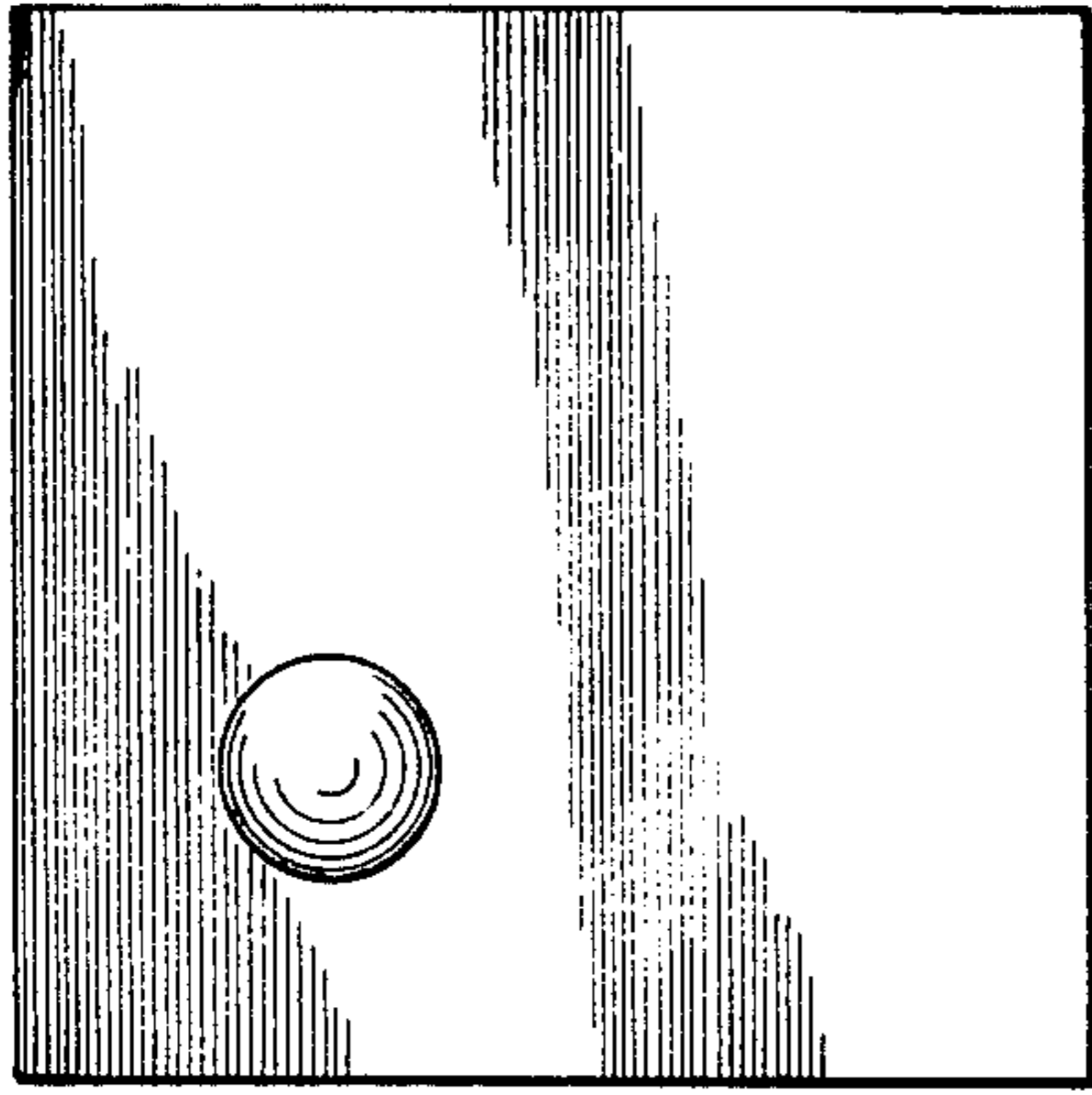


FIG. 1

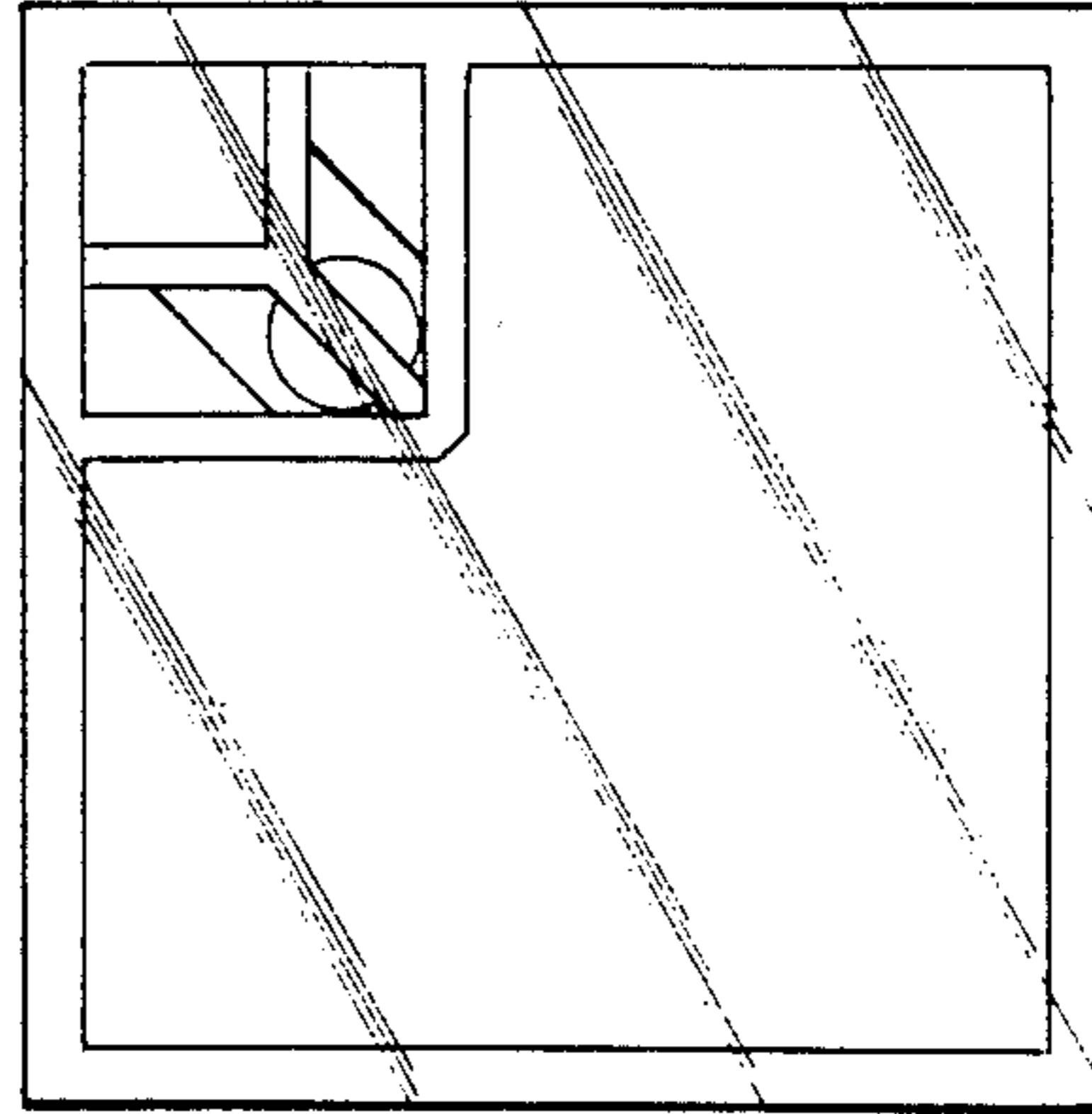


FIG. 3

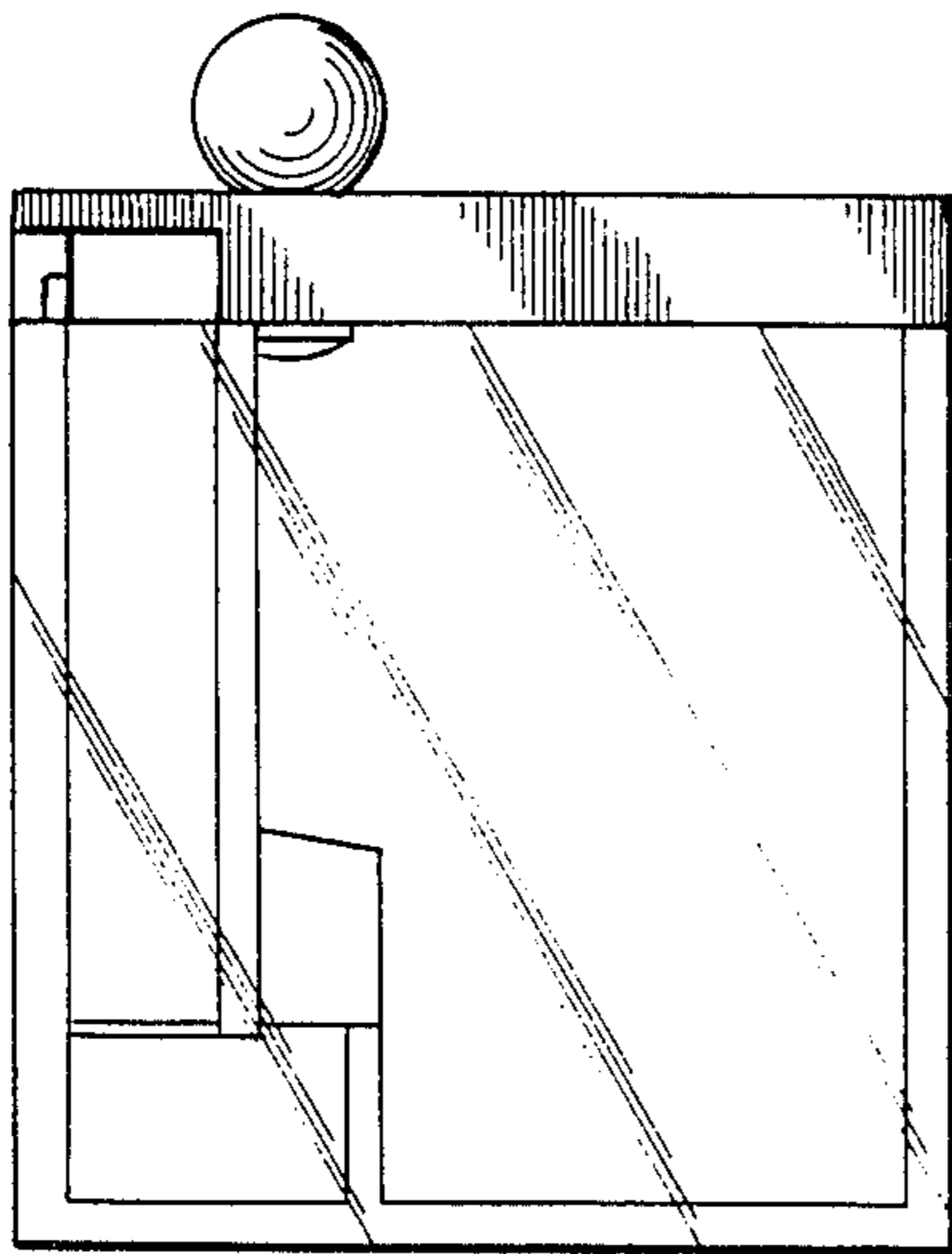


FIG. 2

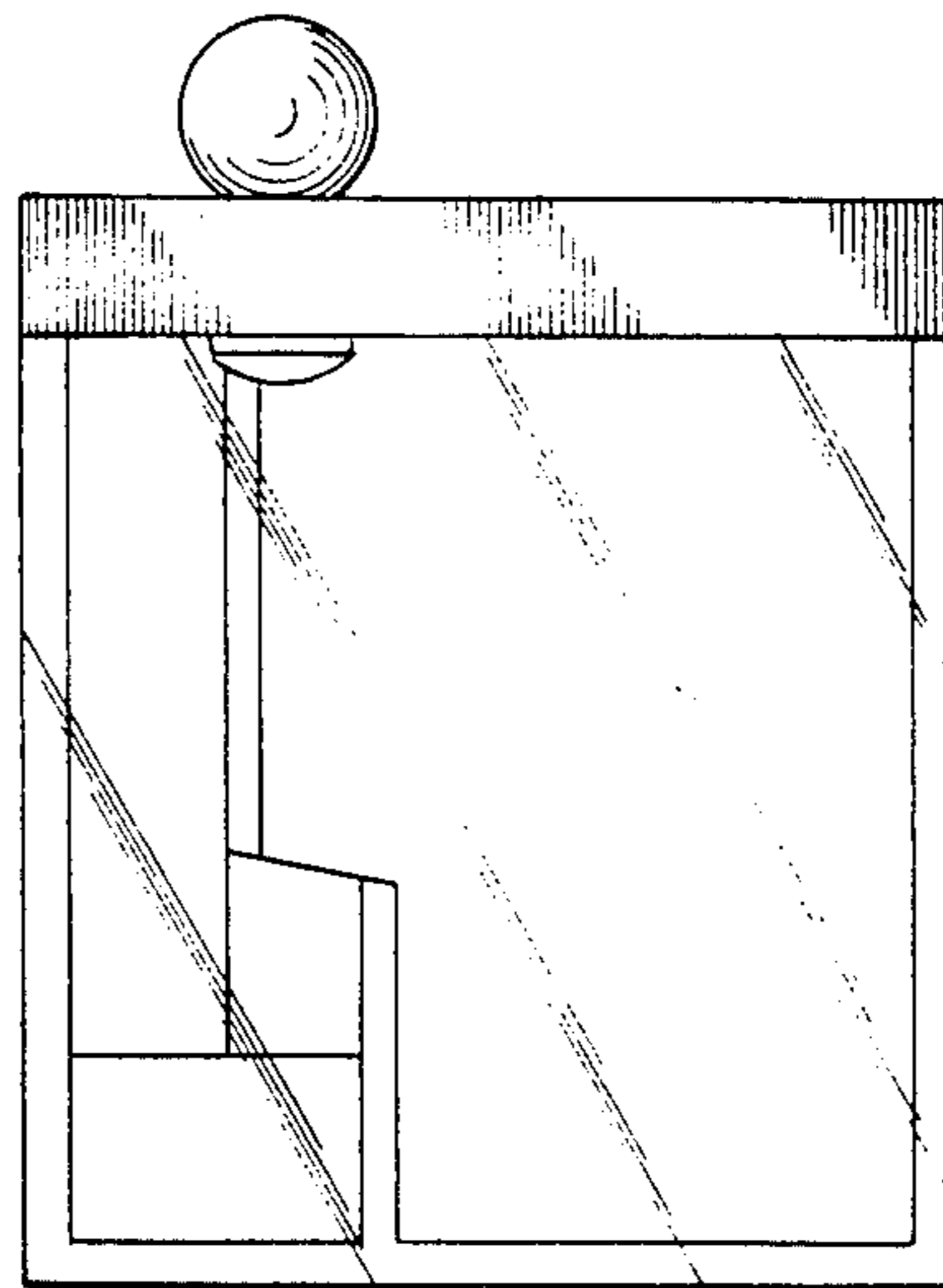


FIG. 4

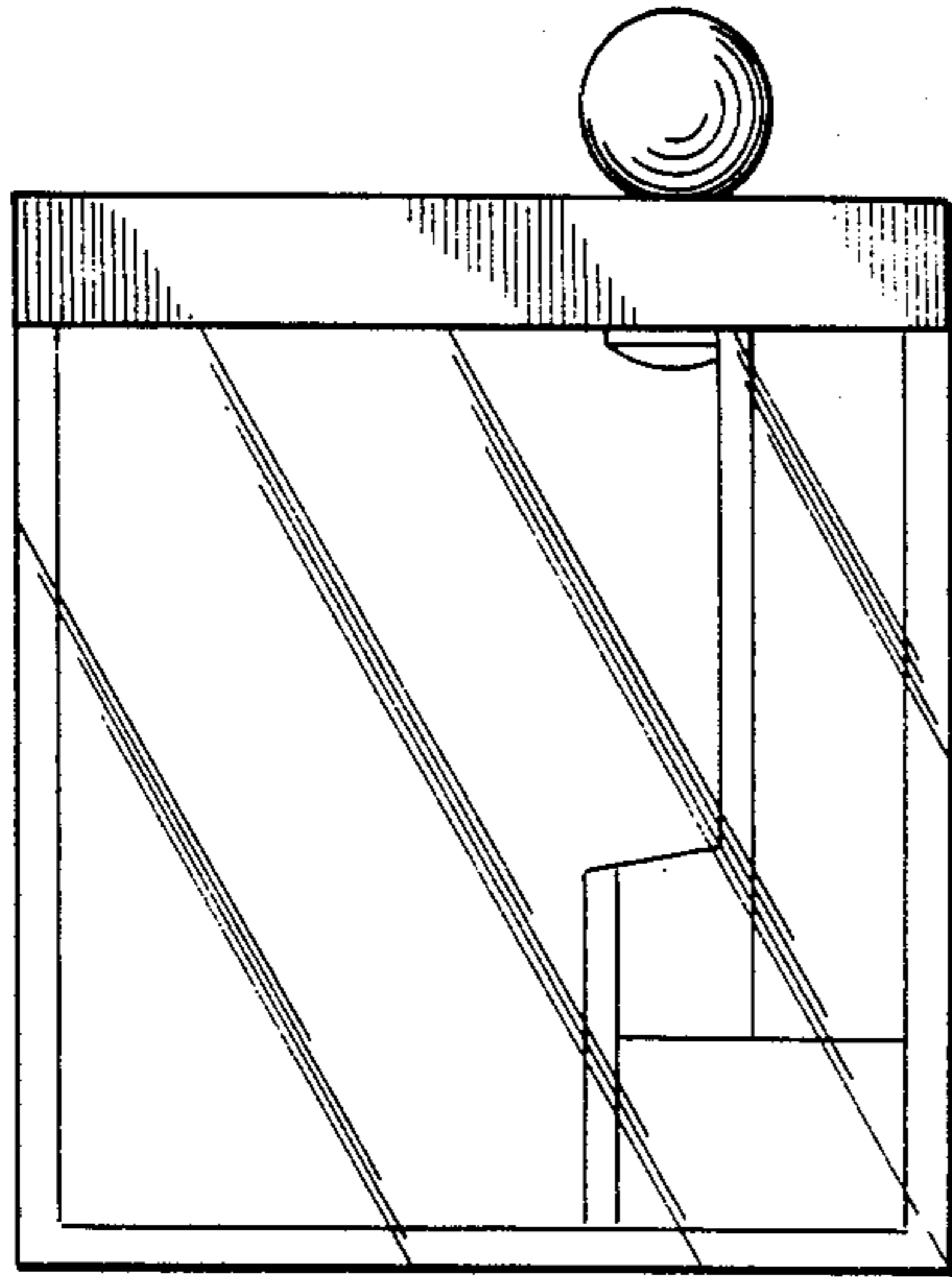


FIG. 5

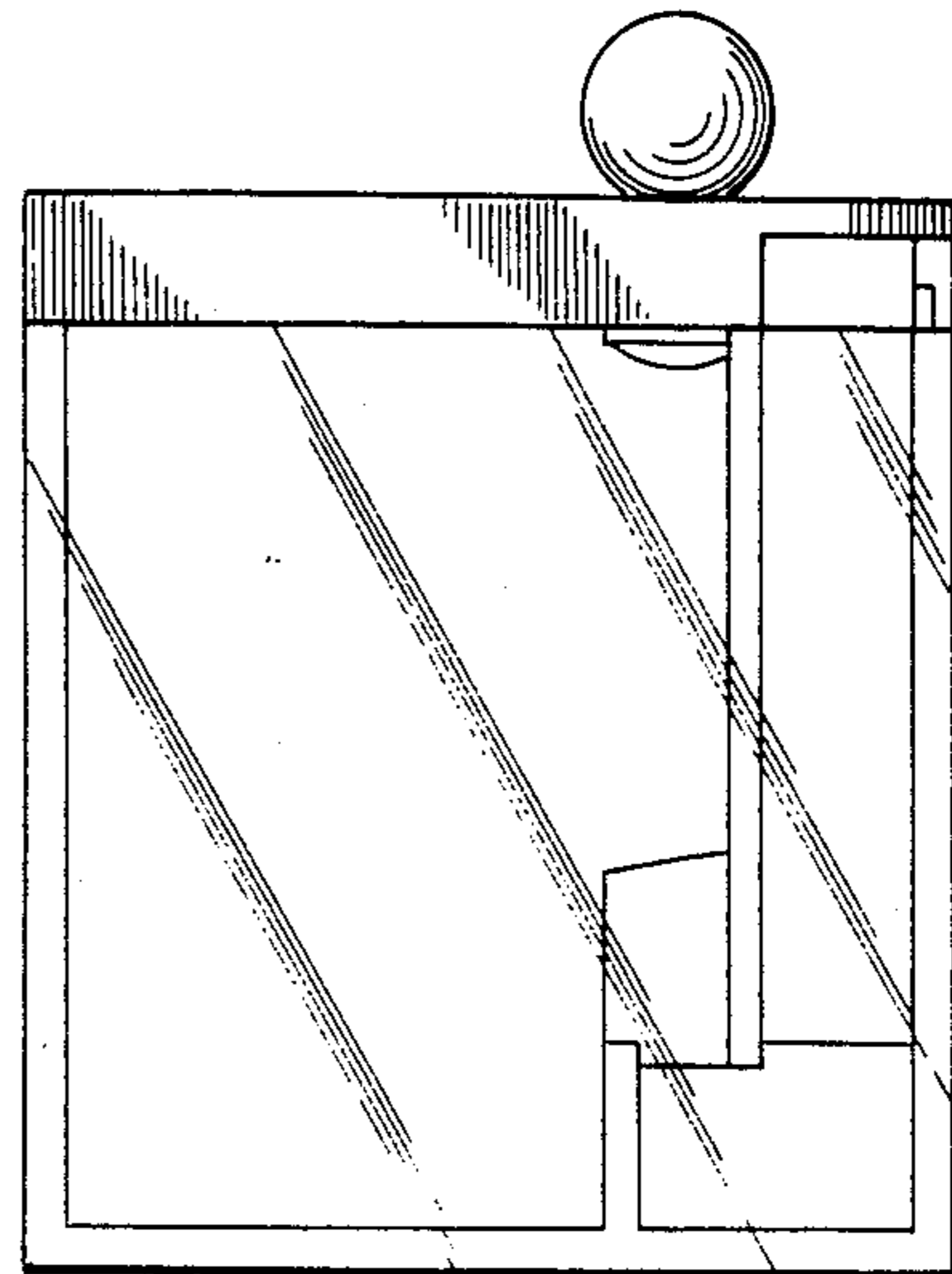


FIG. 6

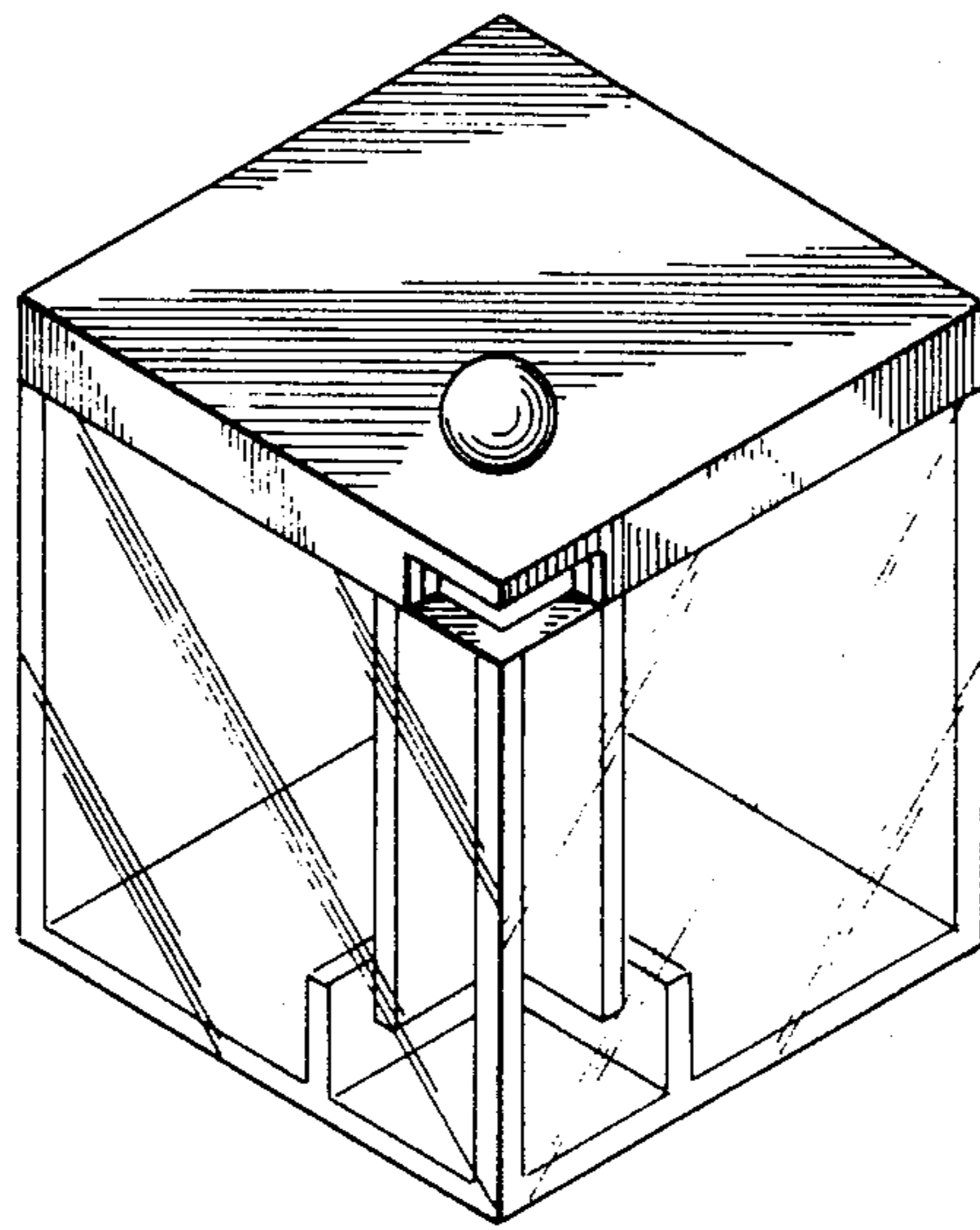


FIG. 7