

[54] CITRUS-FRUIT SQUEEZER

[75] Inventor: Bruno Gecchelin, Milan, Italy

[73] Assignee: F.lli Guzzini S.p.A., Recanati, Italy

[**] Term: 14 Years

[21] Appl. No.: 347,151

[22] Filed: Feb. 9, 1982

[30] Foreign Application Priority Data

Mar. 16, 1981 [IT] Italy 21085/81[U]

[52] U.S. Cl. D7/48

[58] Field of Search D7/48, 49, 310, 305,
D7/316, 318; 99/505, 495, 501, 502, 503, 504,
506

[56] References Cited

U.S. PATENT DOCUMENTS

- D. 141,788 7/1945 Quam D7/48
- D. 150,990 9/1948 Krieger D7/48

- D. 161,609 1/1951 Barbery D7/48
- D. 221,370 8/1971 Hutzler D7/48
- D. 251,405 3/1979 Ackeret D7/49
- 415,048 11/1889 Manny D7/48 X
- 2,701,593 2/1955 Dootson D7/48 X
- 3,159,193 12/1964 Cabell 99/503

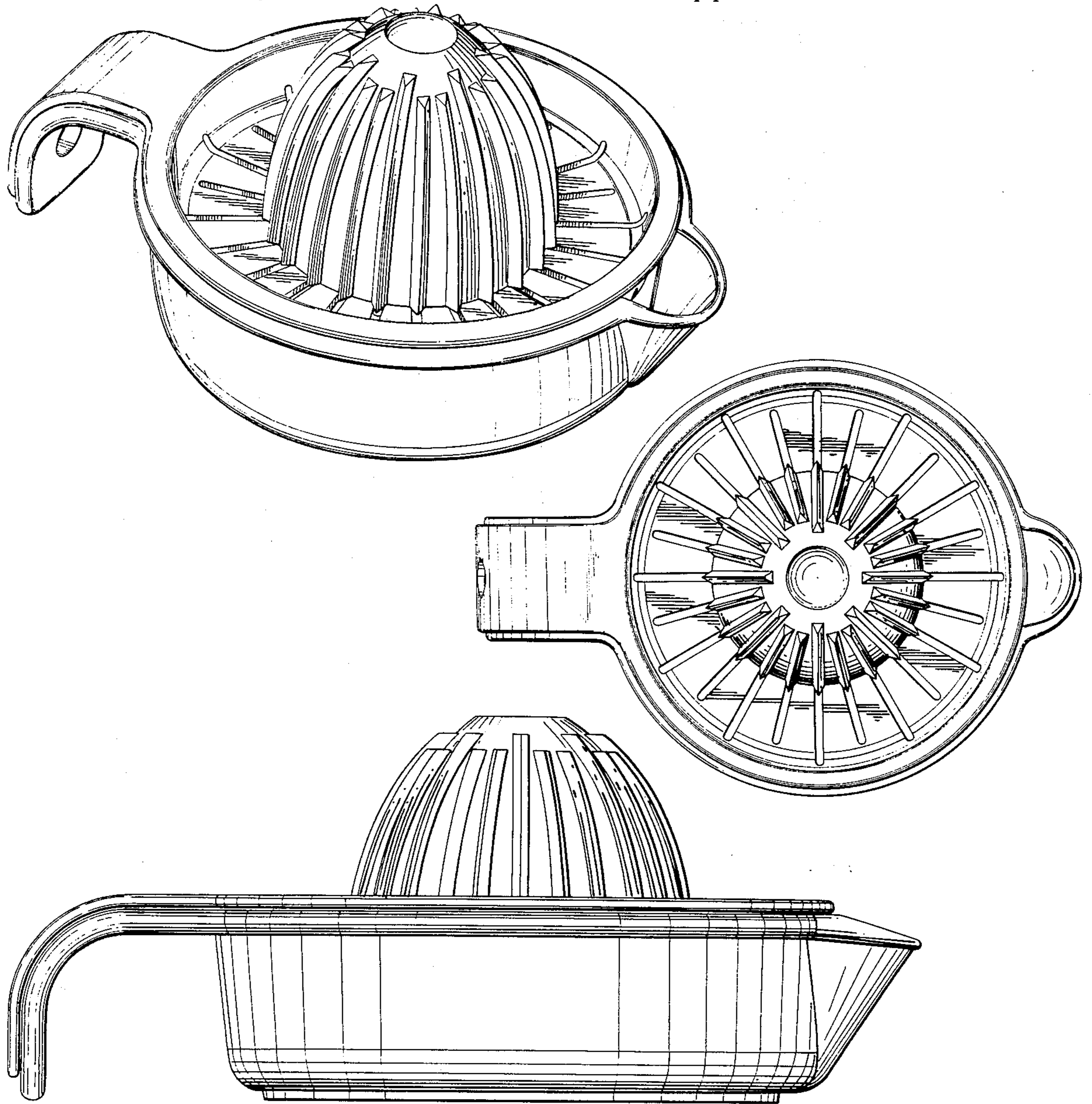
Primary Examiner—Winifred E. Hermann
Attorney, Agent, or Firm—Cushman, Darby & Cushman

[57] CLAIM

The ornamental design for a citrus-fruit squeezer, as shown.

DESCRIPTION

FIG. 1 is a perspective view of a citrus-fruit squeezer showing my new design;
FIG. 2 is a side elevational view thereof;
FIG. 3 is a front elevational view thereof;
FIG. 4 is a rear elevational view thereof;
FIG. 5 is a bottom plan view thereof; and
FIG. 6 is a top plan view thereof.



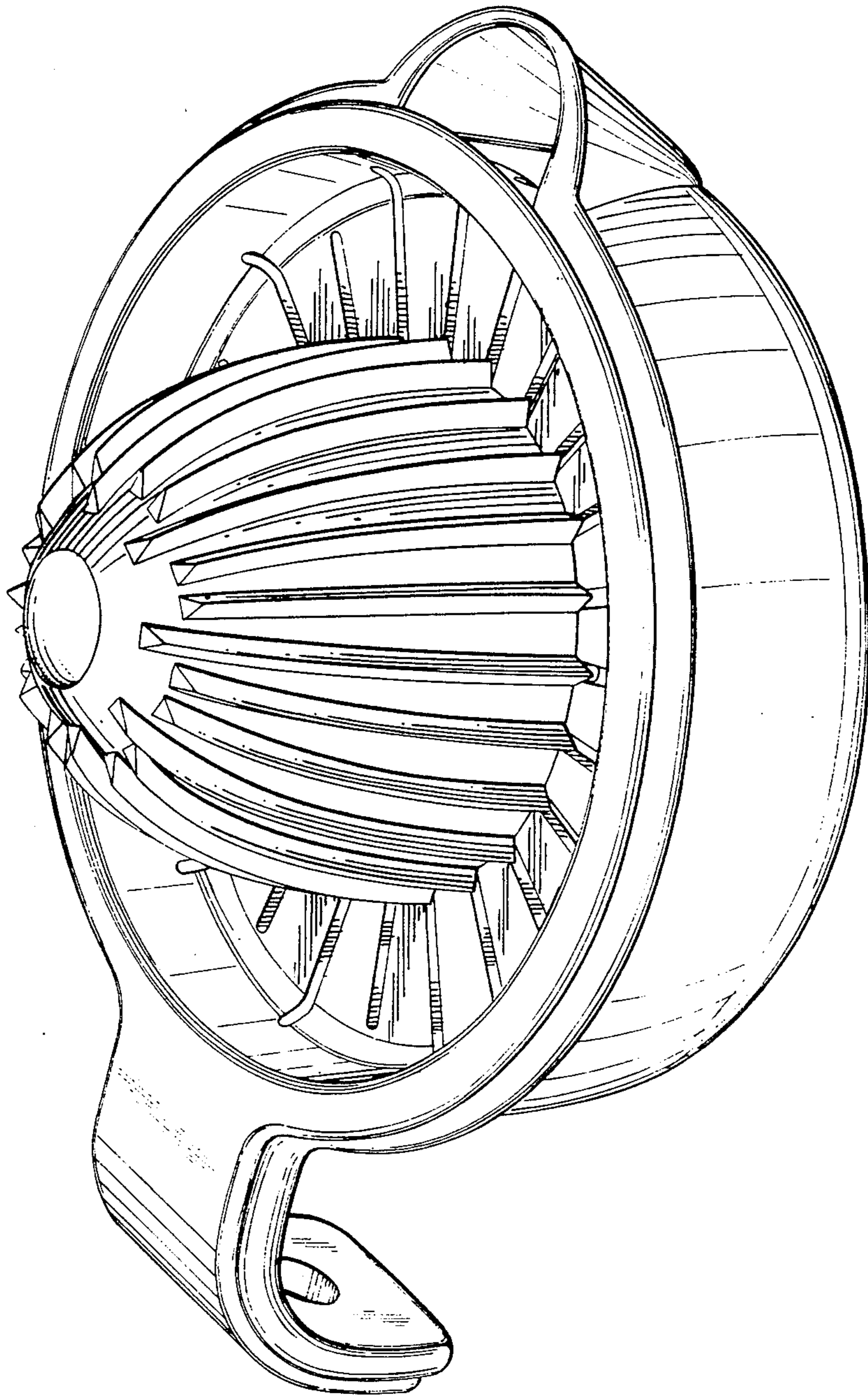


Fig. 1

Fig.2

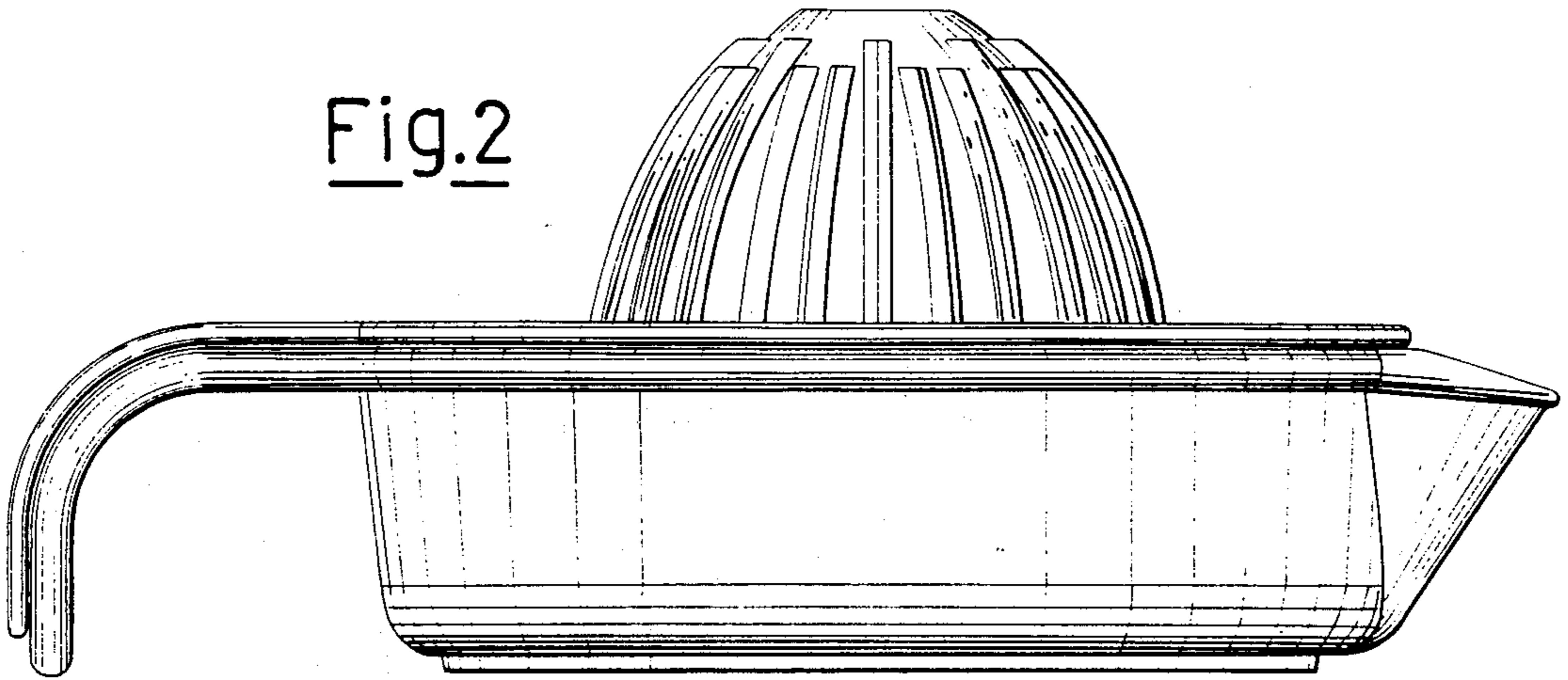


Fig.3

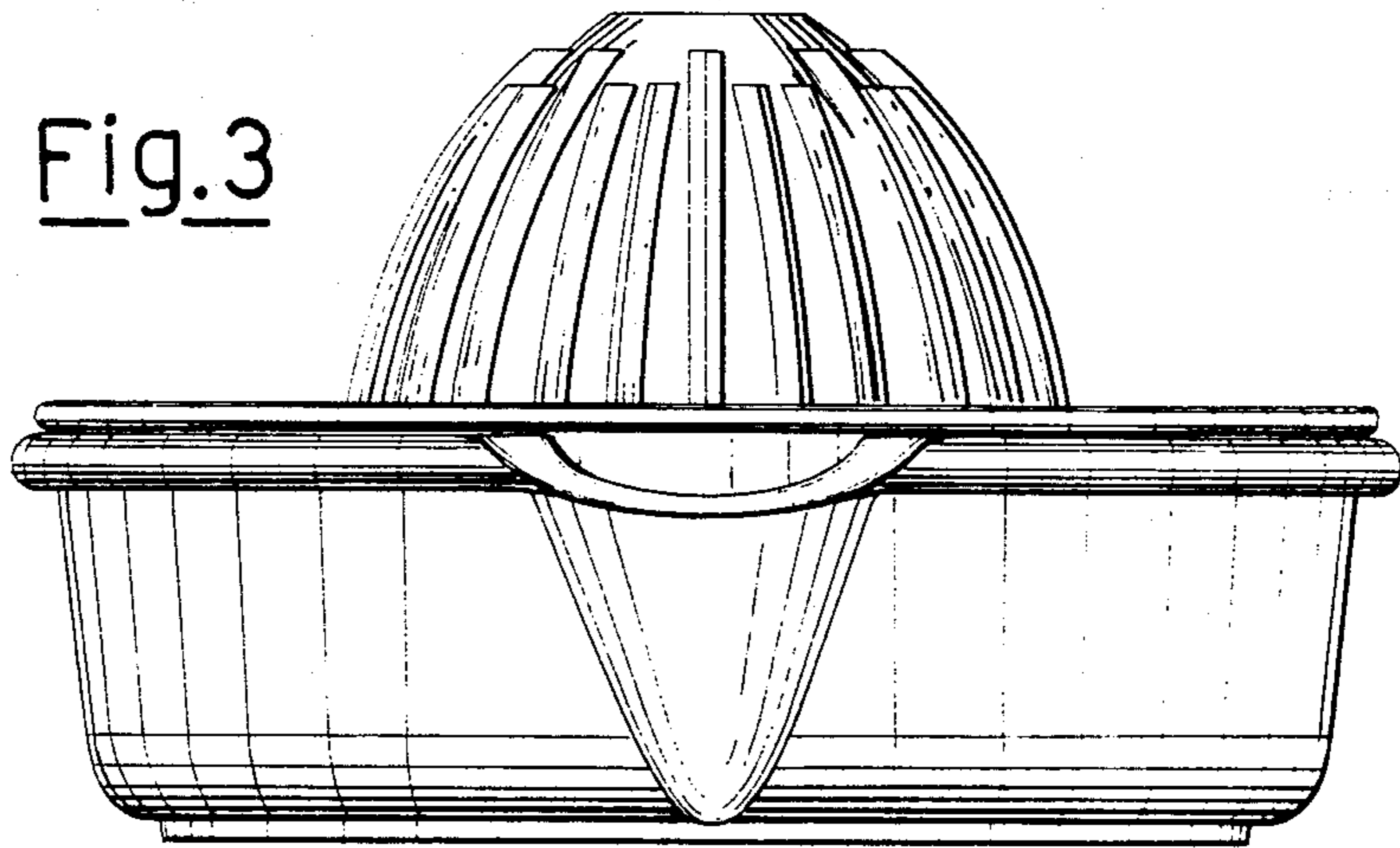


Fig.4

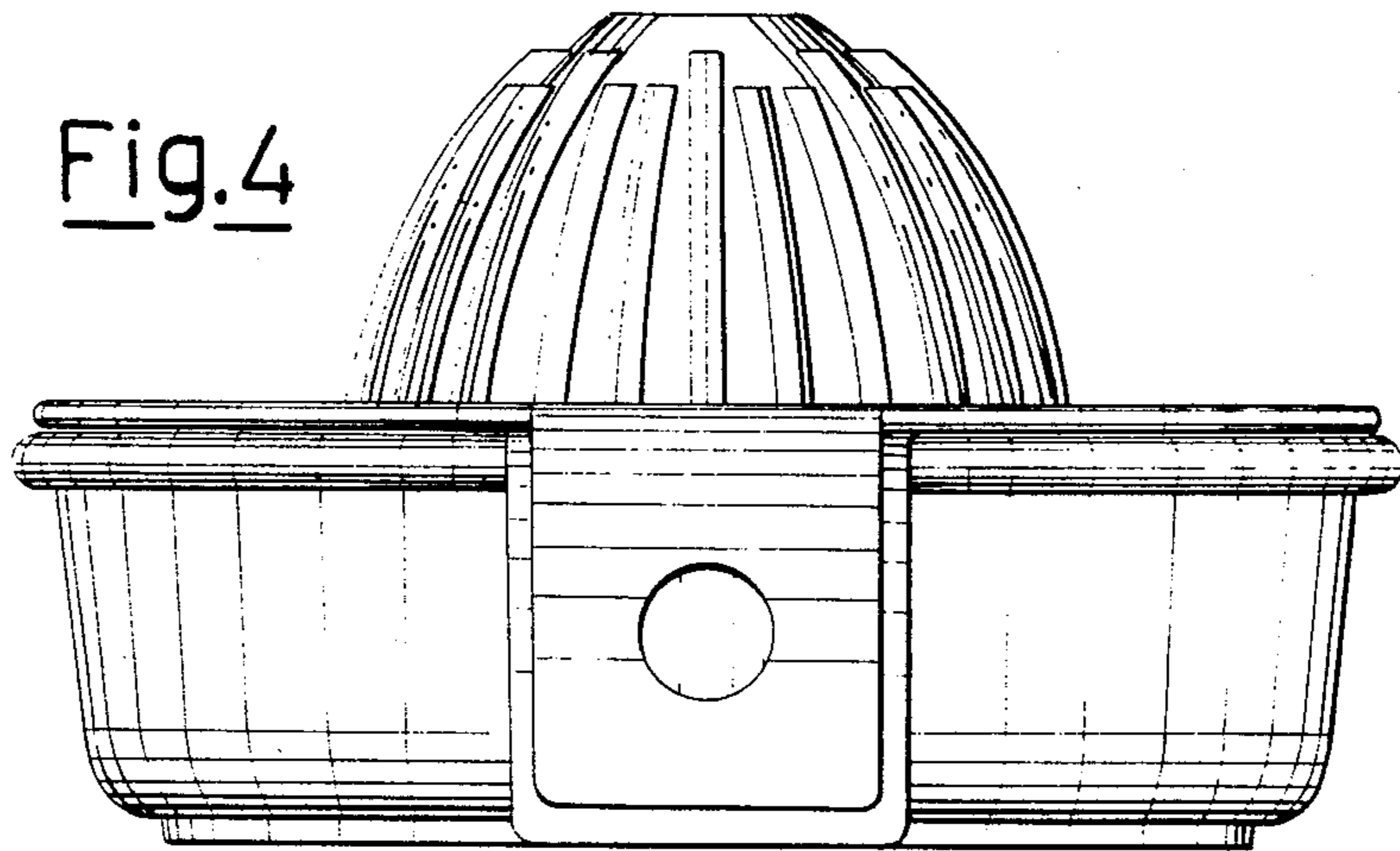


Fig.6

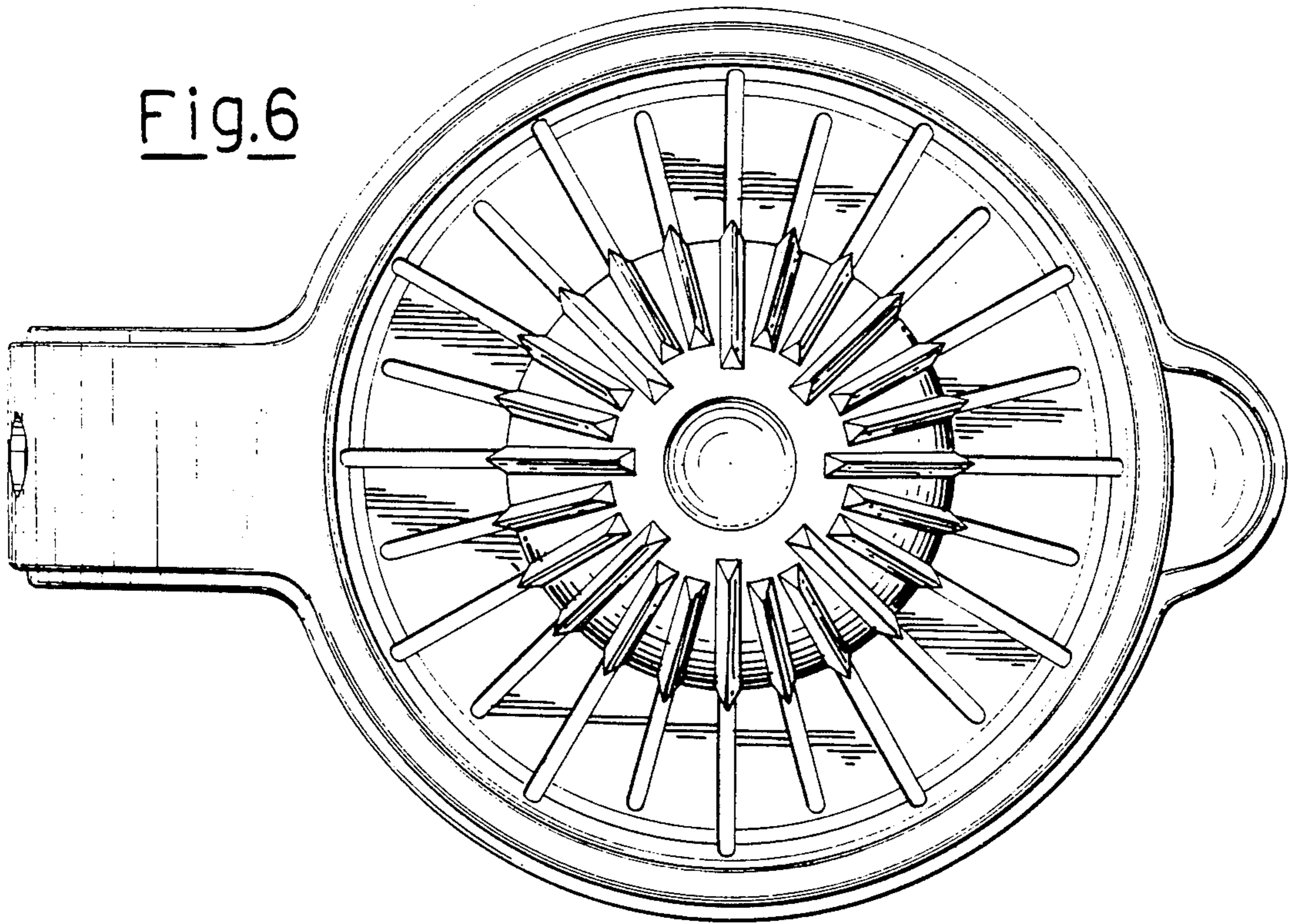


Fig.5

