

[54] BAGEL SLICING JIG

[76] Inventor: Leonard Levine, 2978 Beechwood Blvd., Pittsburgh, Pa. 15217

[\*] Notice: The portion of the term of this patent subsequent to Jan. 8, 1999 has been disclaimed.

[\*\*] Term: 14 Years

[21] Appl. No.: 512,244

[22] Filed: Jul. 11, 1983

Related U.S. Application Data

[63] Continuation-in-part of Ser. No. 455,220, Jan. 3, 1983.  
[52] U.S. Cl. .... D7/43; D7/46  
[58] Field of Search ..... D7/43, 46, 38, 72, 75; D9/341; D34/46; 269/288, 291, 295; 83/762, 761; D8/71

[56] References Cited

U.S. PATENT DOCUMENTS

D. 255,634 7/1980 Zuck ..... D7/46 X  
D. 270,648 9/1983 Mayo ..... D34/46 X  
1,462,717 7/1923 Maus ..... D7/43 X  
2,652,087 9/1953 Turpin ..... 83/762  
4,125,046 11/1978 Kroh et al. .... D7/43  
4,341,376 7/1982 Germinario ..... 83/762 X  
4,399,989 8/1983 Baillie ..... 83/762 X

OTHER PUBLICATIONS

*Bloomington's Cat.*, p. 11, Bagel Slicer by Soovia Janis, acrylic, top center left.

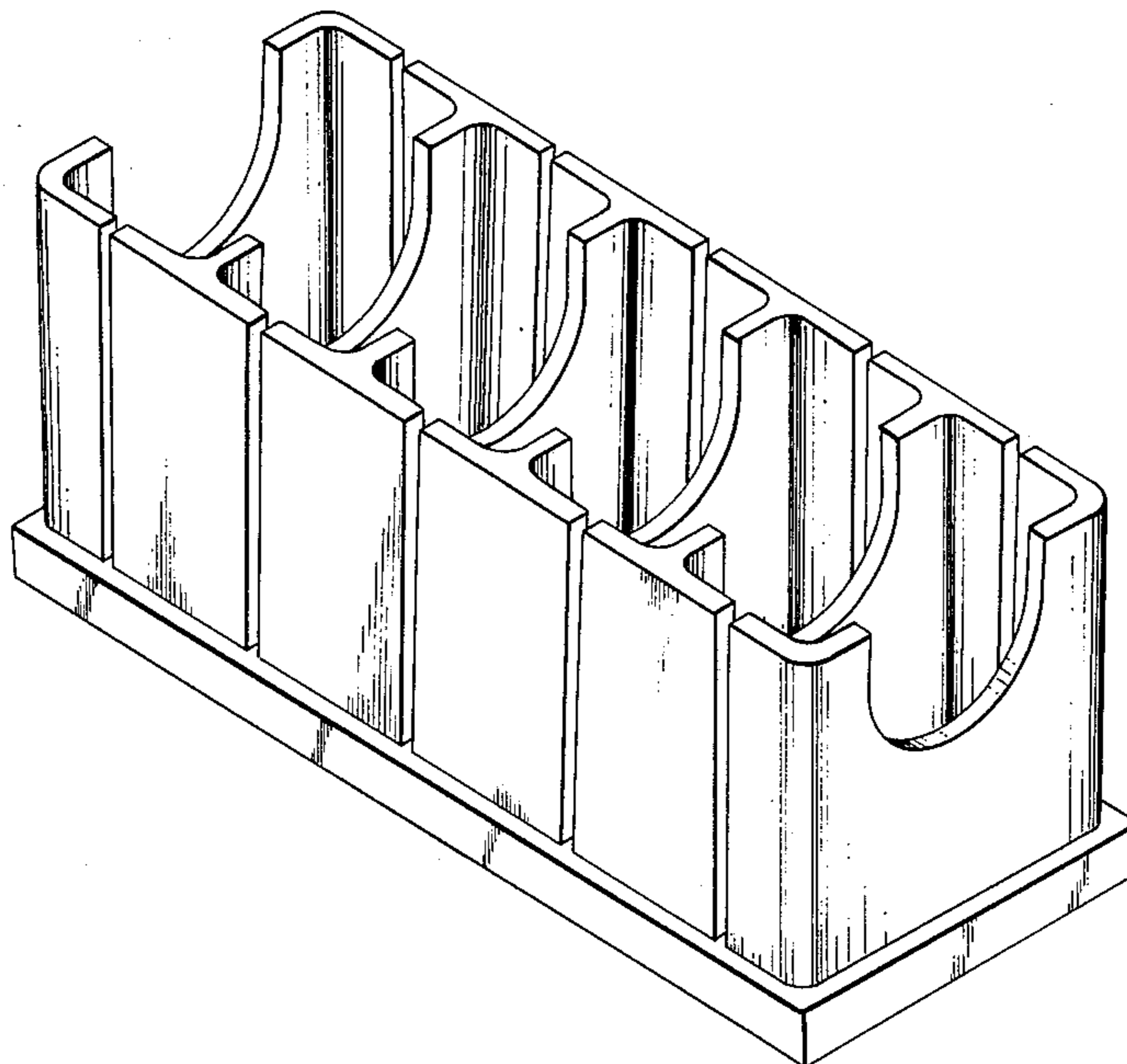
Primary Examiner—Winifred E. Herrmann  
Attorney, Agent, or Firm—Alan Ruderman

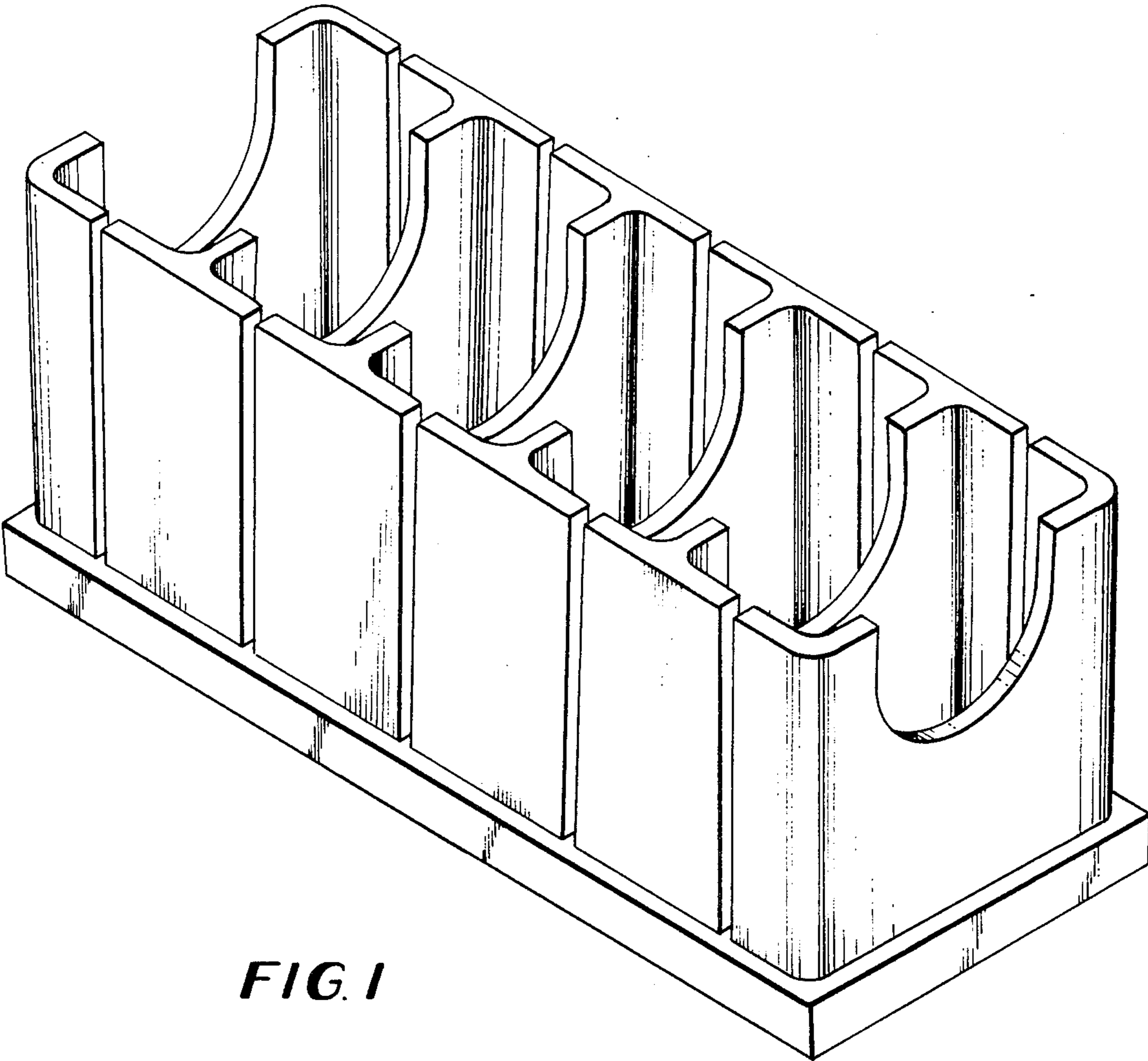
[57] CLAIM

The ornamental design for a bagel slicing jig, substantially as shown and described.

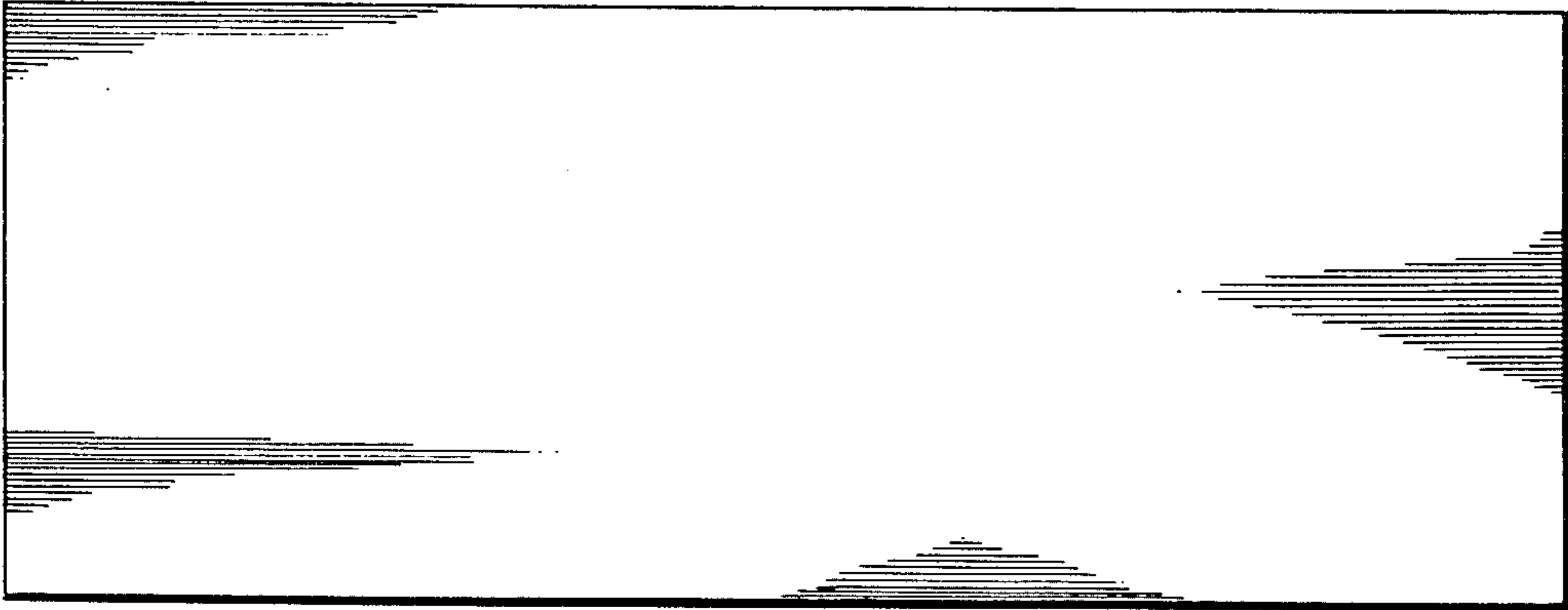
DESCRIPTION

FIG. 1 is a top front perspective view of a bagel slicing jig showing my new design, a rear perspective view being a duplicate thereof; and FIG. 2 is a bottom plan view thereof.





**FIG. 1**



**FIG. 2**