

[54] **PRODUCT SPACER FOR MERCHANDISE RACK**

[75] Inventor: Peter J. Weiller, Armonk, N.Y.

[73] Assignee: Thomson-Leeds Company, Inc., New York, N.Y.

[**] Term: 14 Years

[21] Appl. No.: 465,516

[22] Filed: Feb. 10, 1983

[52] U.S. Cl. D6/491

[58] Field of Search D6/490, 491, 495; D7/37, 38

[56] **References Cited**

U.S. PATENT DOCUMENTS

- D. 107,883 1/1938 Noel D6/490 X
- D. 264,532 5/1982 Fether et al. D6/491

D. 274,879 7/1984 Kates D6/495

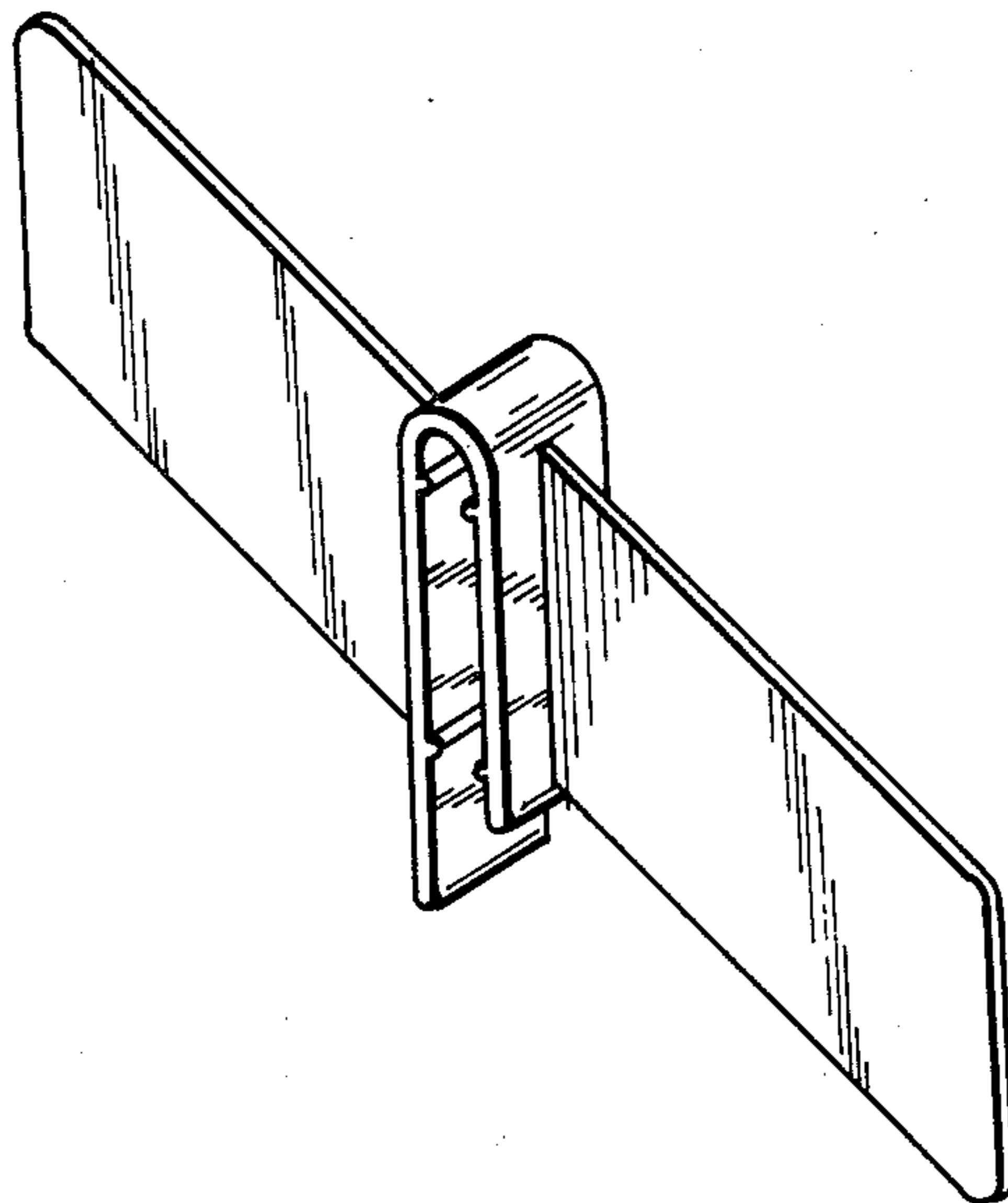
Primary Examiner—Bruce W. Dunkins
Attorney, Agent, or Firm—Howard C. Miskin

[57] **CLAIM**

The ornamental design for a product spacer for merchandise rack, as shown and described.

DESCRIPTION

FIG. 1 is a front perspective view of a product spacer for a merchandise rack showing my design;
 FIG. 2 is a side elevational view;
 FIG. 3 is a front elevational view;
 FIG. 4 is a top plan view;
 FIG. 5 is a rear elevational view; and
 FIG. 6 is a bottom plan view thereof.
 The side of the spacer not shown is a mirror image of the side shown in FIG. 2.
 The broken lines shown in FIG. 2 are for illustrative purposes only.



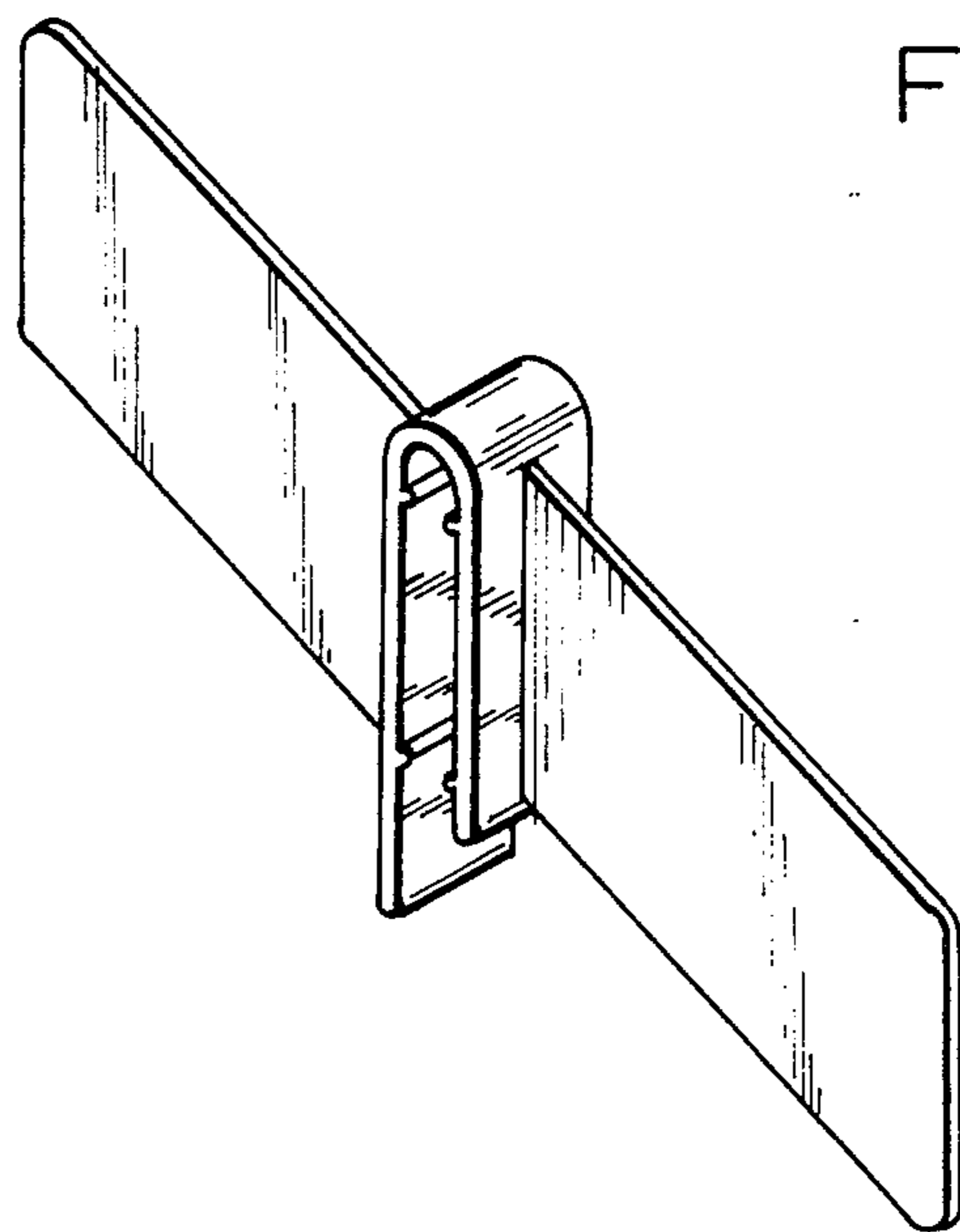


FIG. 1

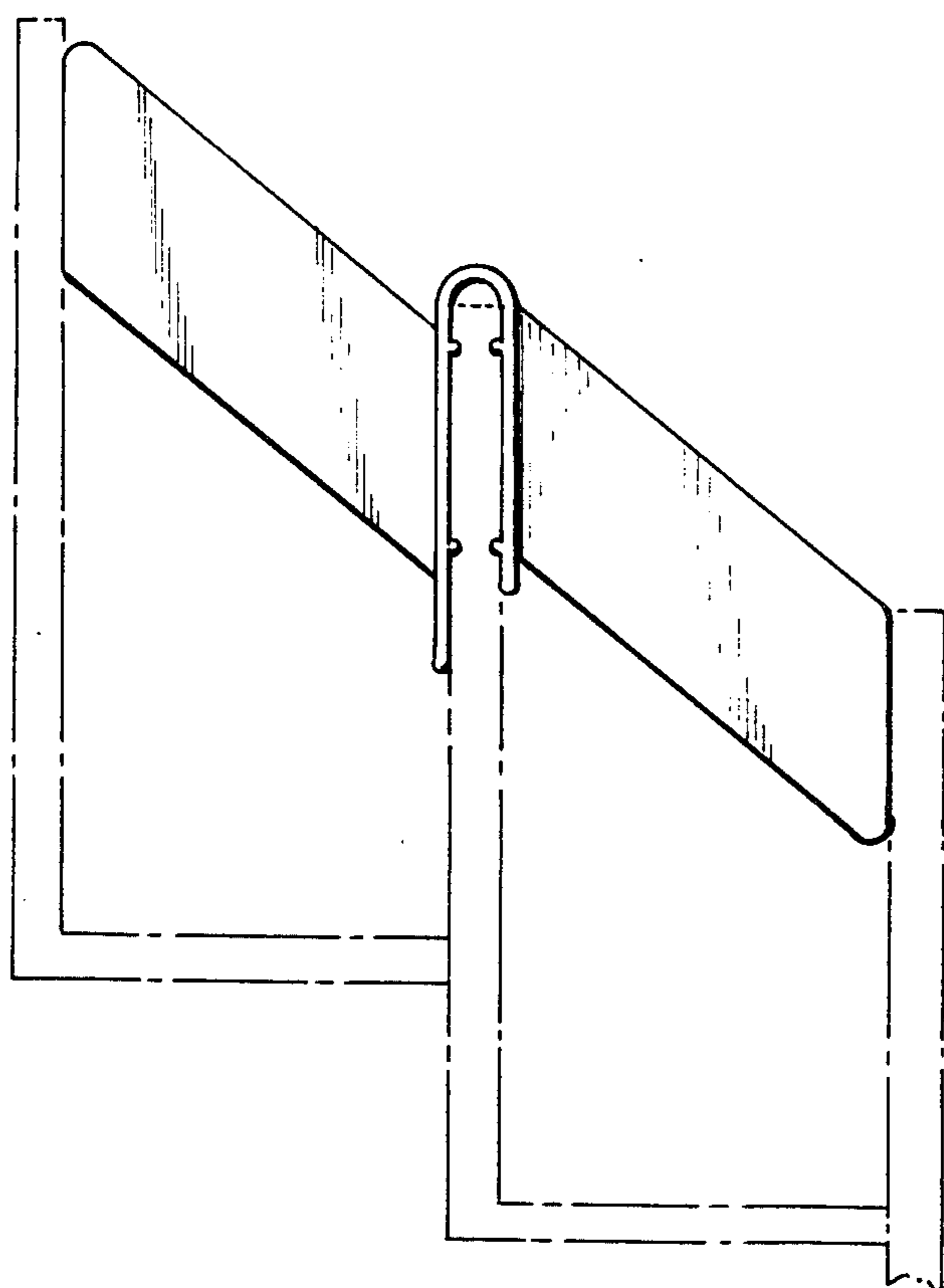


FIG. 2

FIG. 4

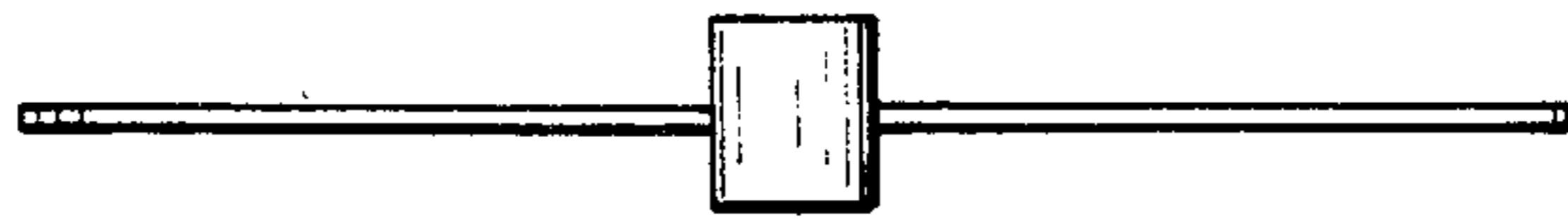


FIG. 5



FIG. 3



FIG. 6

