

[54] HOUSING FOR AN ELECTRICAL PROD

[76] Inventor: Richard E. Ayres, 32501 Road 228, Woodlake, Calif. 93286

[\*\*] Term: 14 Years

[21] Appl. No.: 542,890

[22] Filed: Oct. 17, 1983

[52] U.S. Cl. .... D30/32

[58] Field of Search ..... D30/32; 361/232; 273/84 ES; 231/2 E

2,208,852	7/1940	Mongan .....	D30/32 X
2,892,585	6/1959	Gilmore .....	231/2 E
2,981,465	4/1961	Bartel .....	231/2 E
3,119,554	1/1964	Fagan et al. ....	231/2 E
4,394,956	7/1983	Andrews et al. ....	231/2 E

Primary Examiner—James R. Largen  
Attorney, Agent, or Firm—Dennis B. Haase

[57] CLAIM

The ornamental design for housing for an electrical prod, as shown and described.

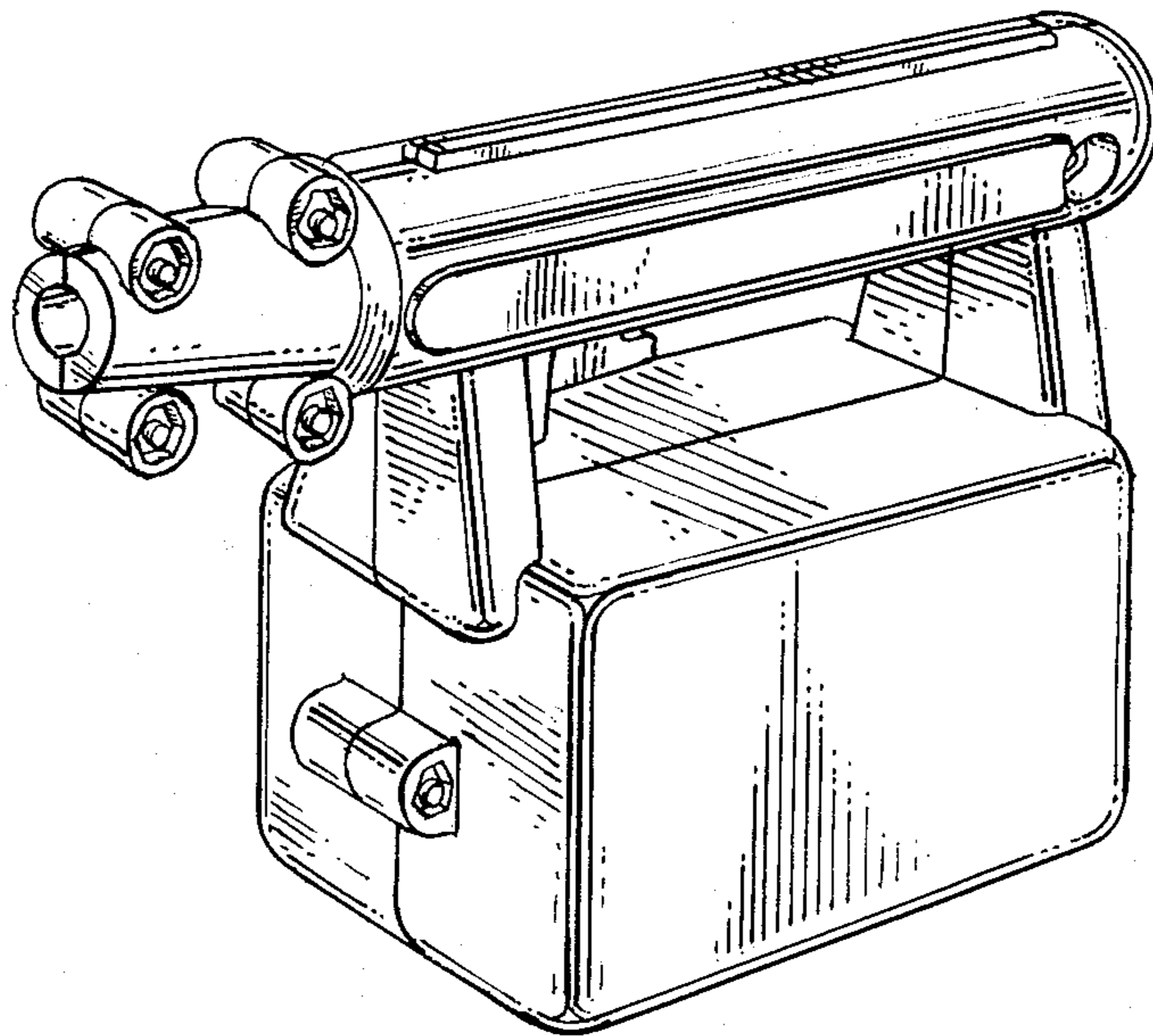
DESCRIPTION

FIG. 1 is a perspective view taken from the top, front and right side of a housing for an electrical prod showing my new design;  
FIG. 2 is a front elevational view thereof;  
FIG. 3 is a rear elevational view thereof;  
FIG. 4 is a left side elevational view thereof;  
FIG. 5 is a top plan view thereof; and  
FIG. 6 is a bottom plan view thereof.  
The broken line representation of a prod tube in FIG. 4 is for purposes of illustration only.

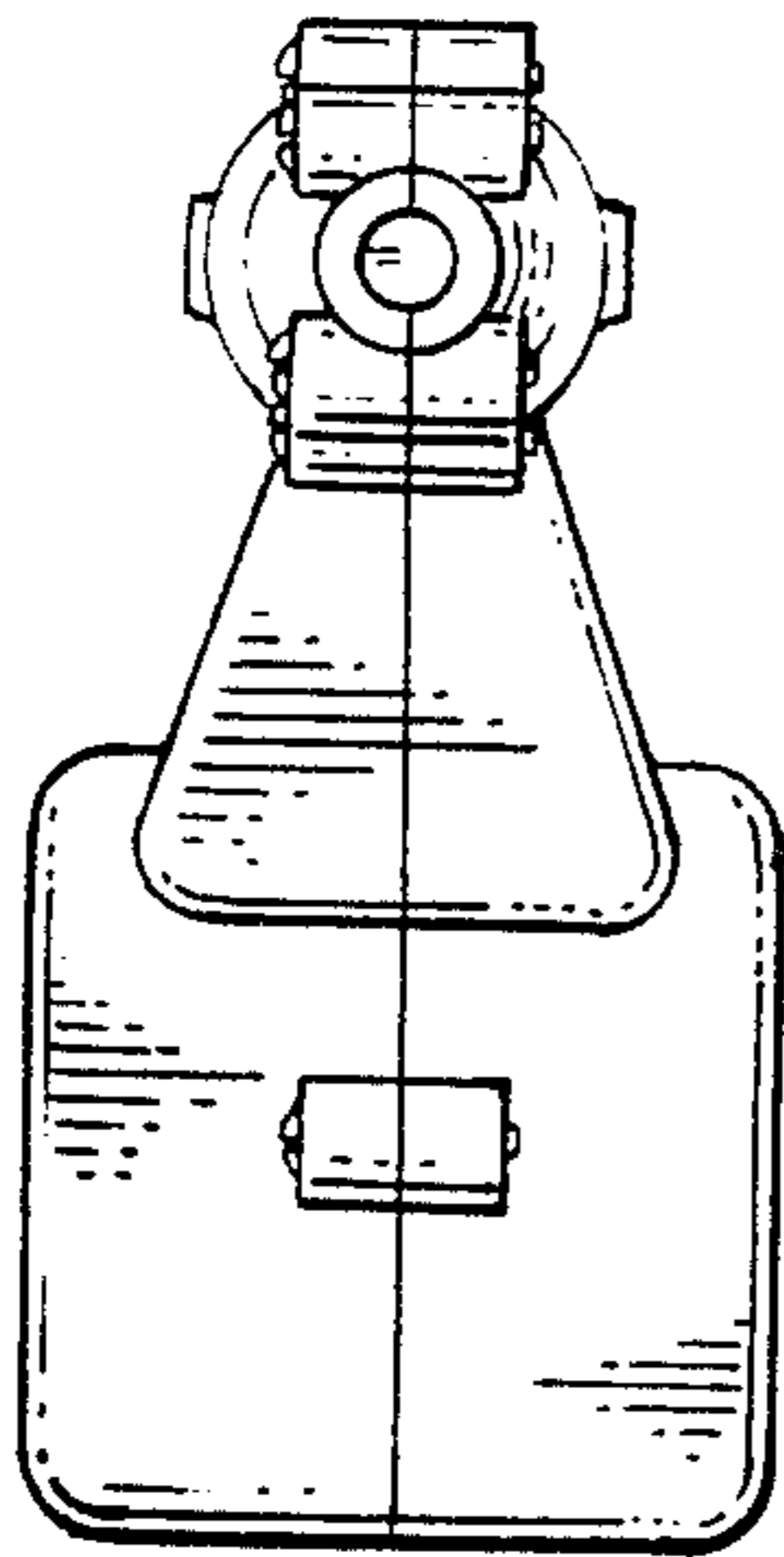
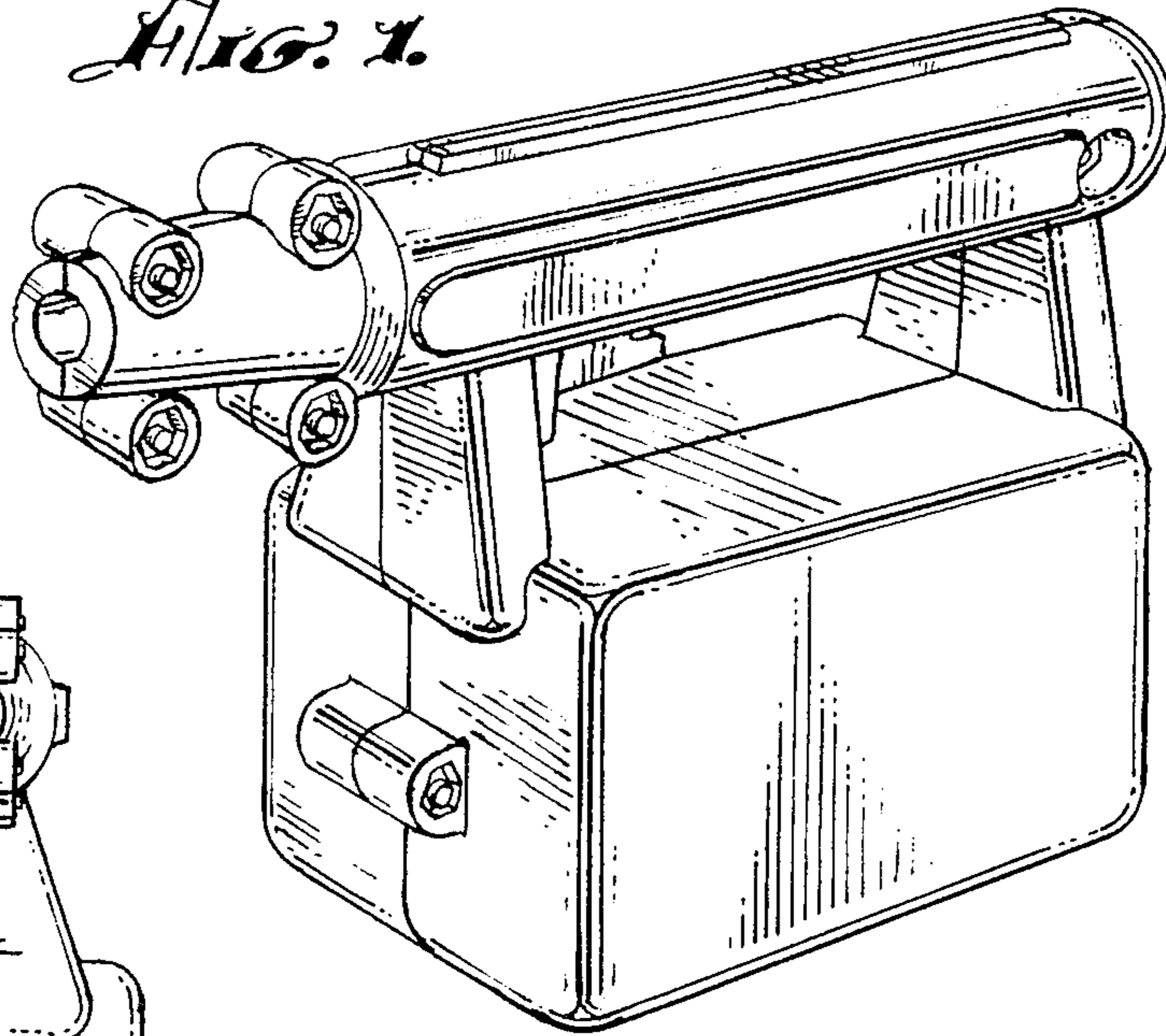
[56] References Cited

U.S. PATENT DOCUMENTS

D. 156,833	1/1956	Juergens .....	D30/32
D. 174,208	3/1955	Abildgaard .....	D30/32
D. 175,158	7/1955	Dorr .....	D30/32
D. 255,139	5/1980	Smith .....	D30/32 X
D. 257,495	11/1980	Bros et al. ....	D30/32
427,549	5/1890	Burton .....	D30/32 X
1,189,532	7/1916	Bishop .....	D30/32 X
1,210,112	12/1916	Smith .....	D30/32 X
2,204,041	6/1940	Jefferson .....	D30/32 X

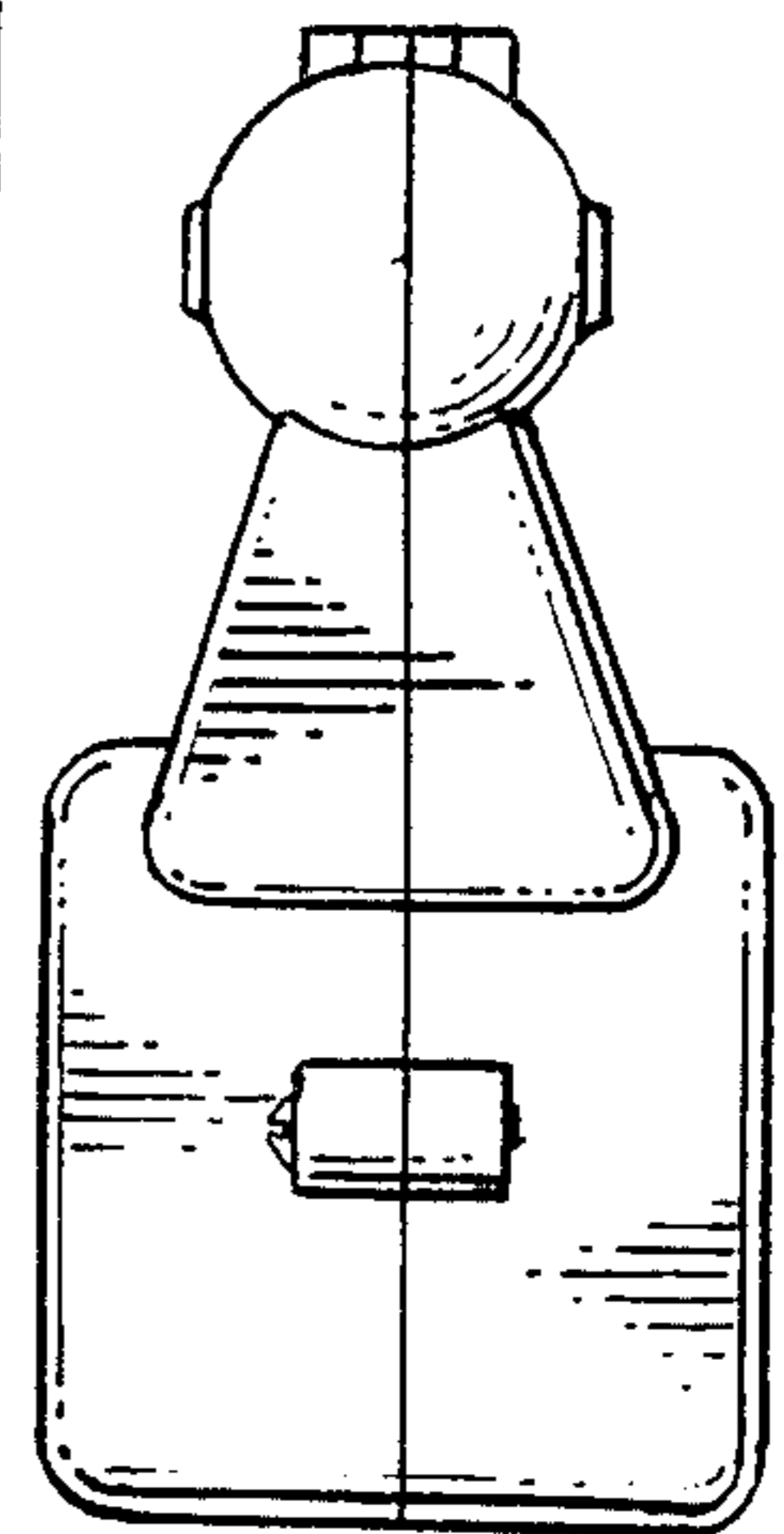


*FIG. 1.*

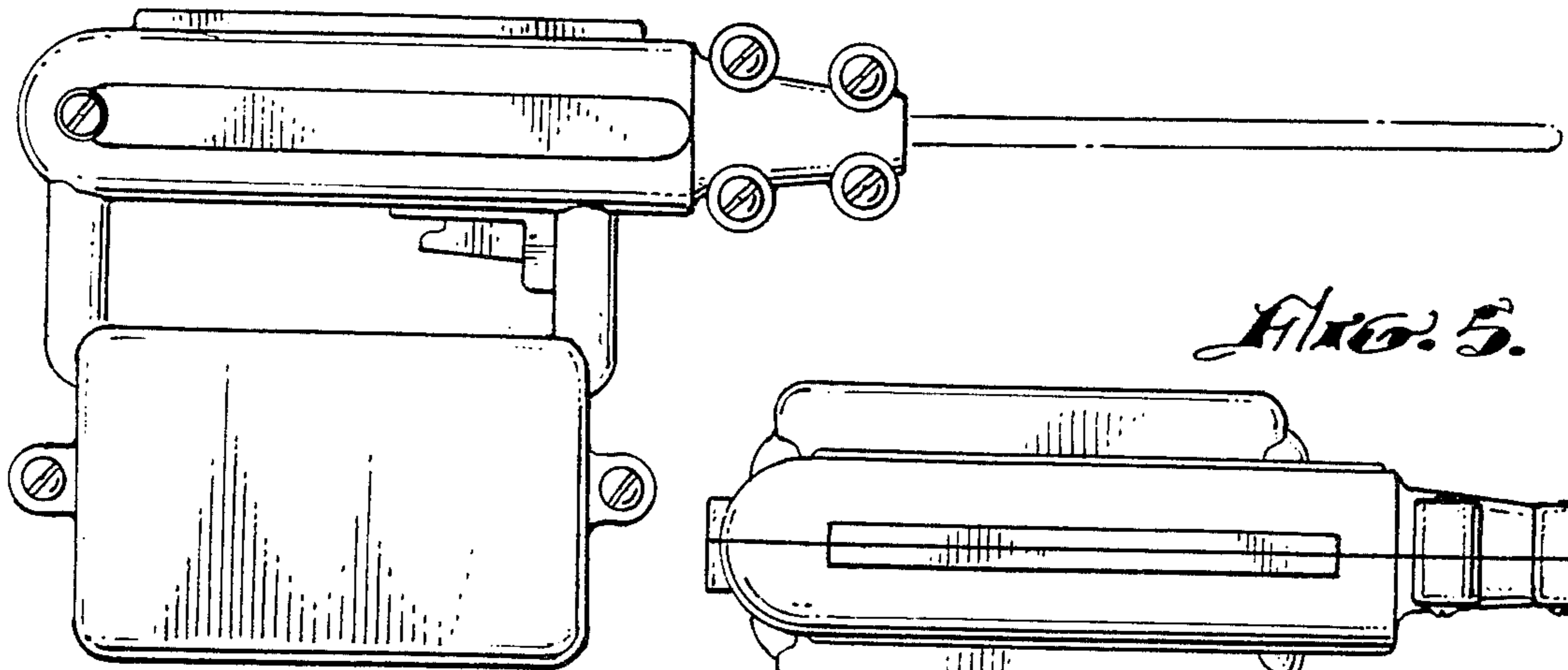


*FIG. 2.*

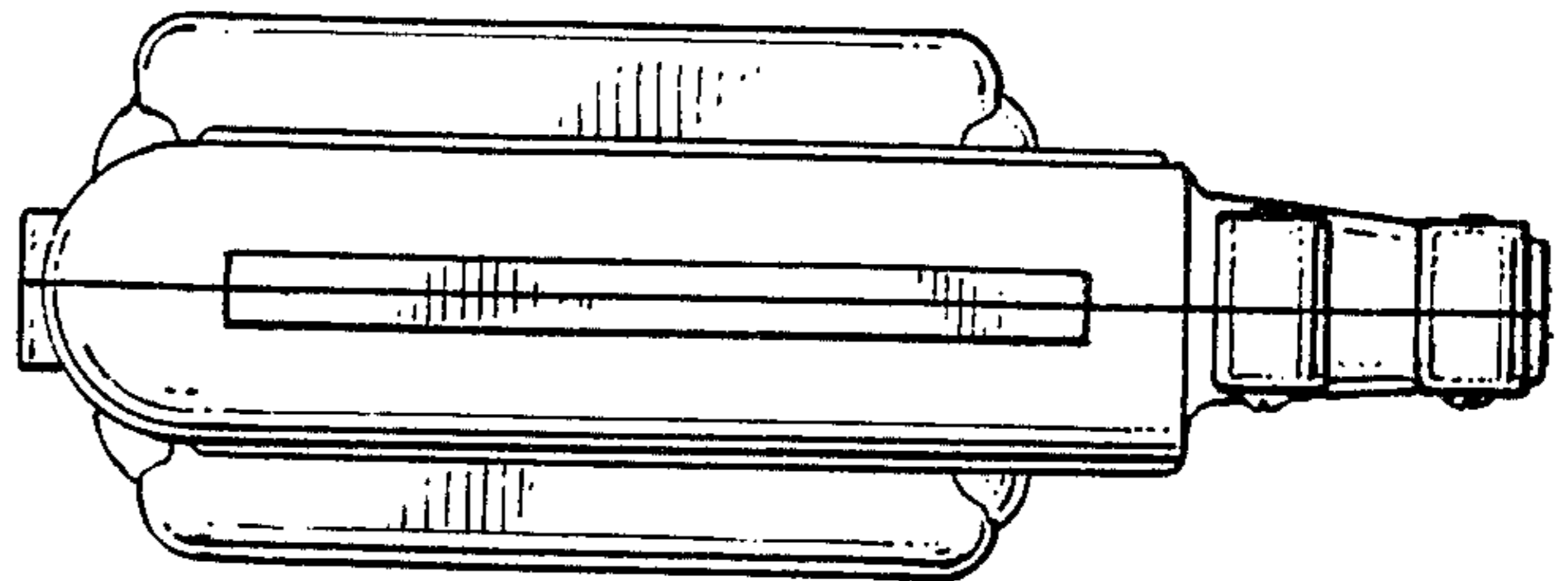
*FIG. 3.*



*FIG. 4.*



*FIG. 5.*



*FIG. 6.*

