

[54] BATH SPOUT OR SIMILAR ARTICLE

[75] Inventor: James E. Niemann, Louisville, Ky.

[73] Assignee: American Standard Inc., New York, N.Y.

[\*\*] Term: 14 Years

[21] Appl. No.: 472,797

[22] Filed: Mar. 7, 1983

[52] U.S. Cl. .... D23/32

[58] Field of Search ..... D23/23-32;  
4/191, 192; 137/801; 251/155

[56] References Cited

U.S. PATENT DOCUMENTS

- D. 202,095 8/1965 Kelly ..... D23/32
- 3,801,997 4/1974 Ward ..... 4/191

OTHER PUBLICATIONS

Bathroom Jewelry Inc. Brochure.

Dornbracht Brochure, printed 9/14/80, pp. 1-5.

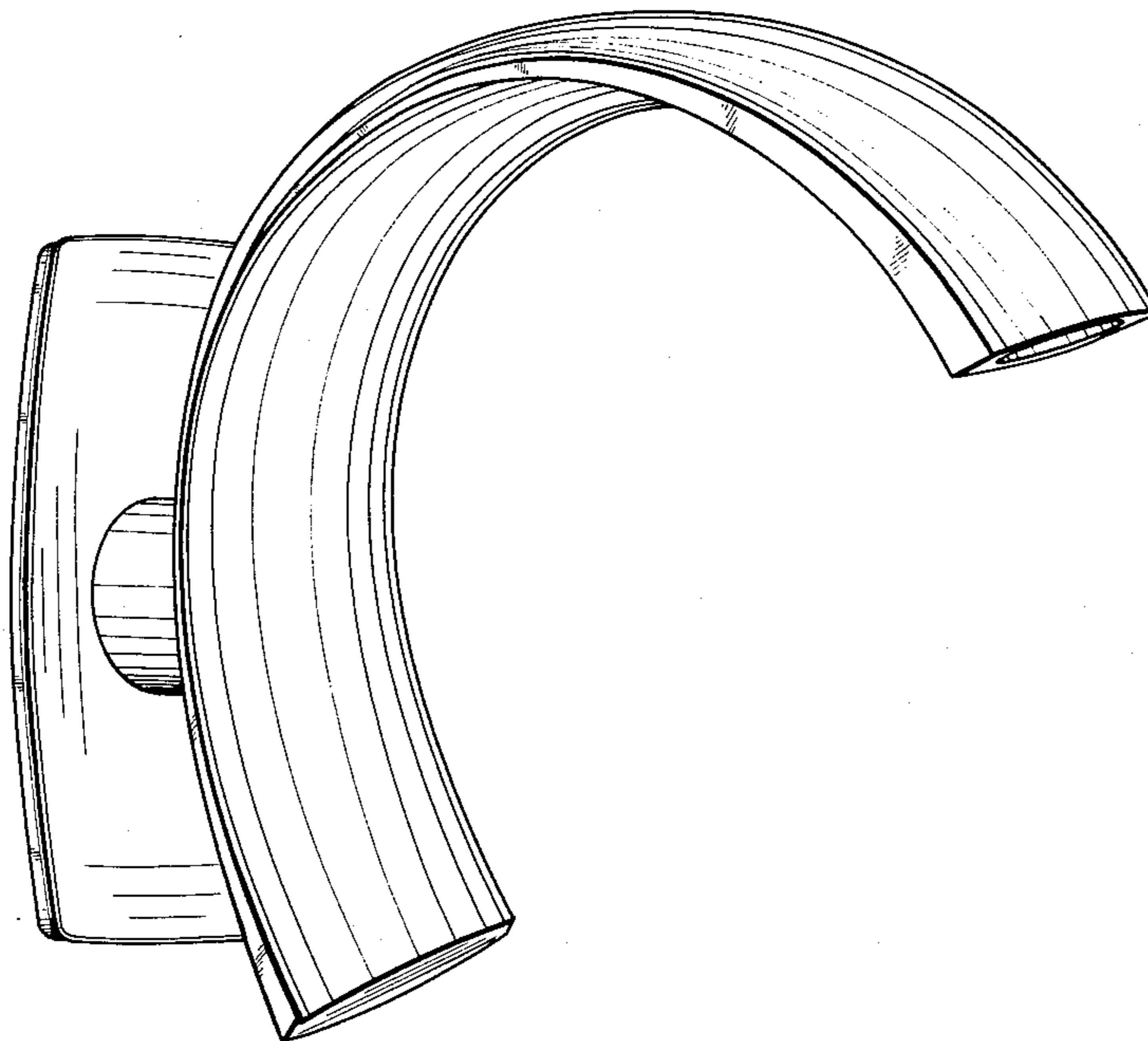
Primary Examiner—James R. Largen  
Attorney, Agent, or Firm—James J. Salerno, Jr.; Robert G. Crooks; John P. Sinnott

[57] CLAIM

The ornamental design for a bath spout or similar article, substantially as shown and described.

DESCRIPTION

FIG. 1 is a perspective view of a bath spout embodying my new design;  
 FIG. 2 is a right side elevational view thereof, the left side being a mirror image of the right side shown;  
 FIG. 3 is a top view thereof;  
 FIG. 4 is a bottom view thereof;  
 FIG. 5 is a front view thereof;  
 FIG. 6 is a rear view thereof;  
 FIG. 7 is a cross sectional view taken on line 7—7 of FIG. 2; and  
 FIG. 8 is a cross sectional view taken on line 8—8 of FIG. 2.



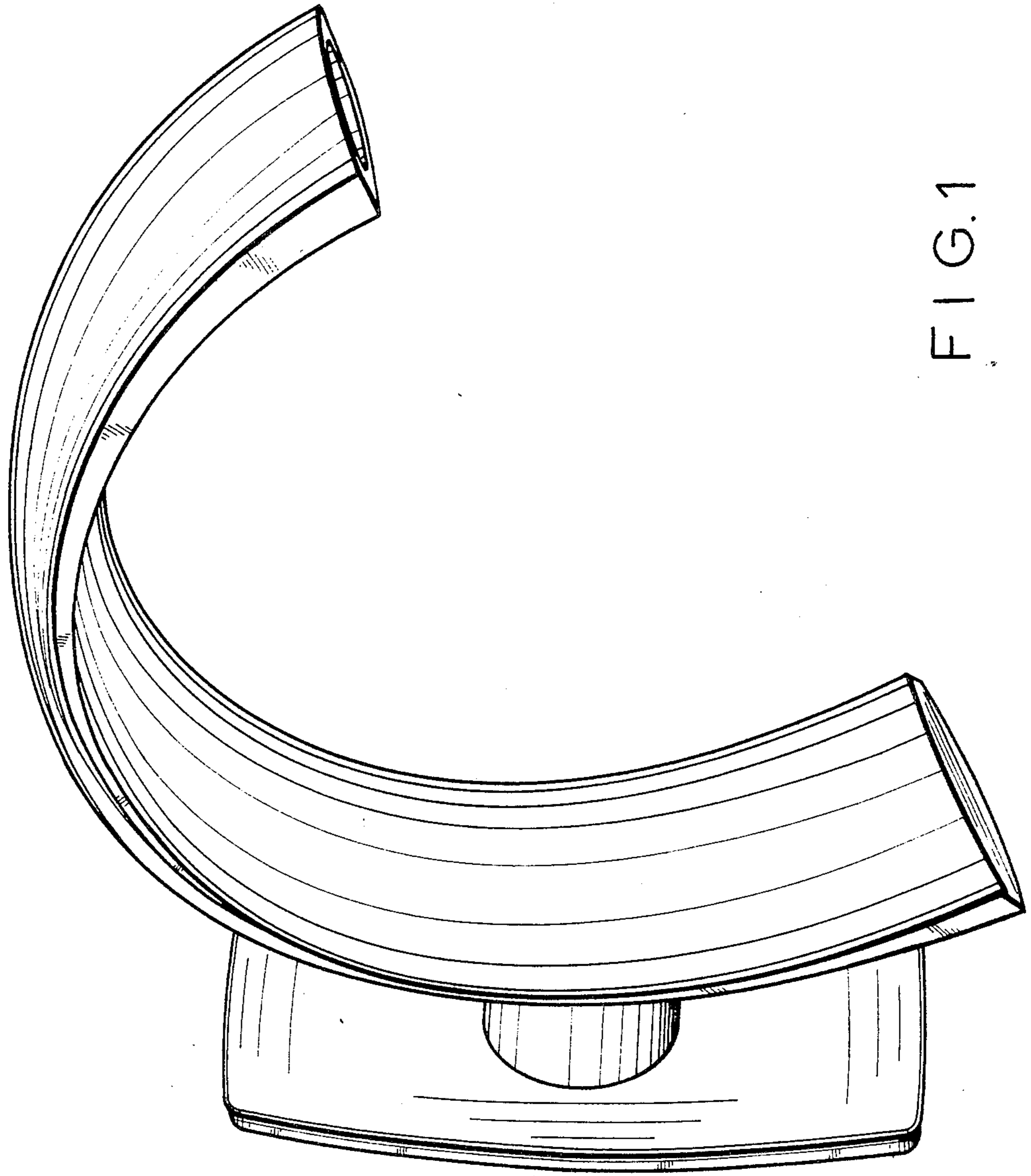


FIG. 1

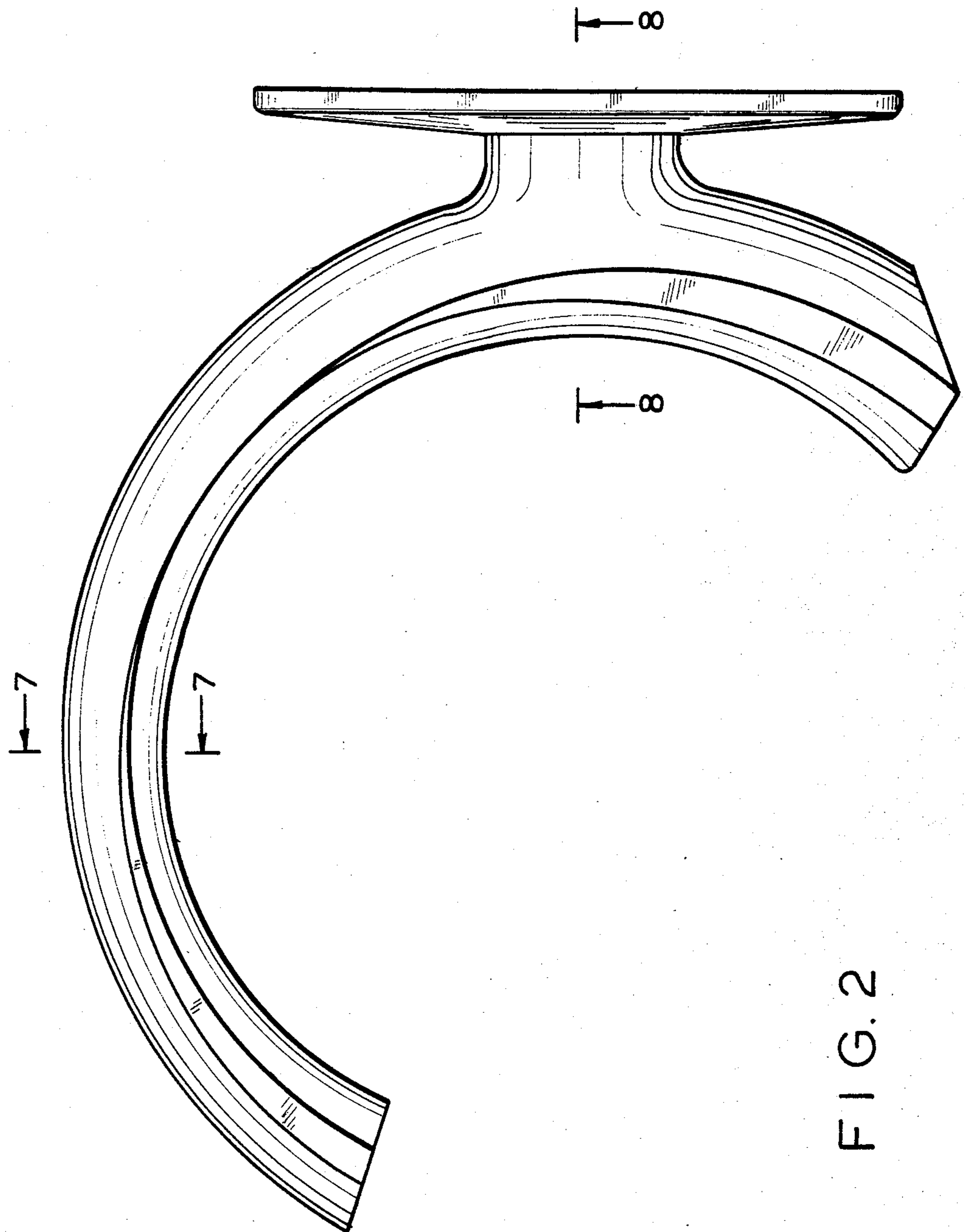


FIG. 2

FIG. 3

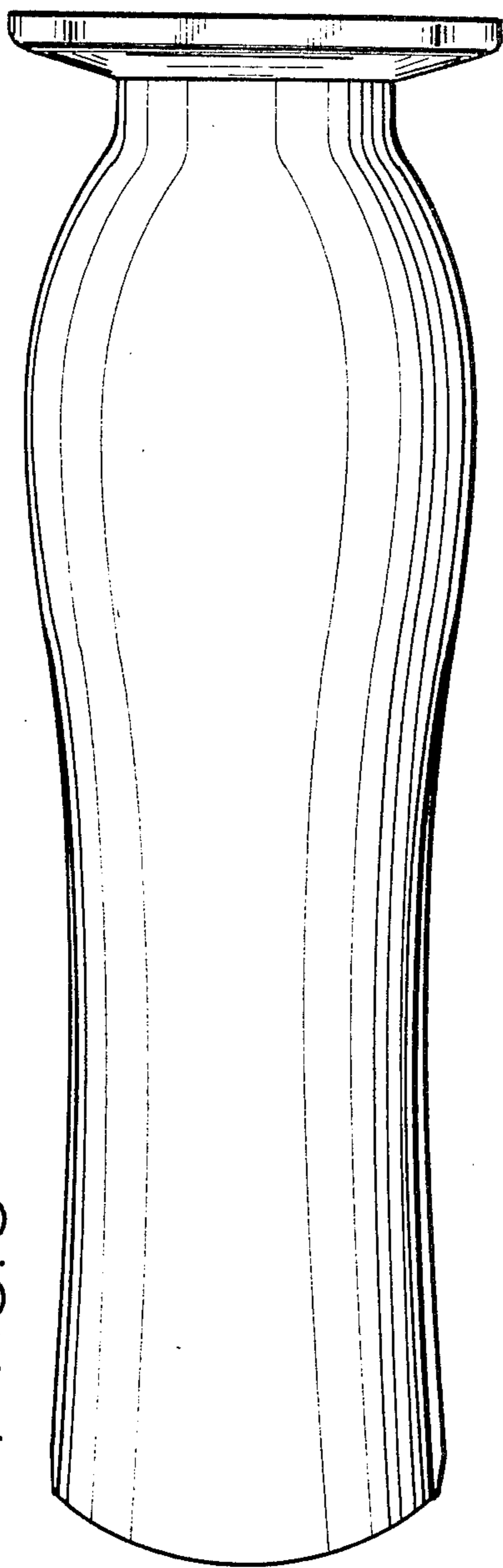


FIG. 4

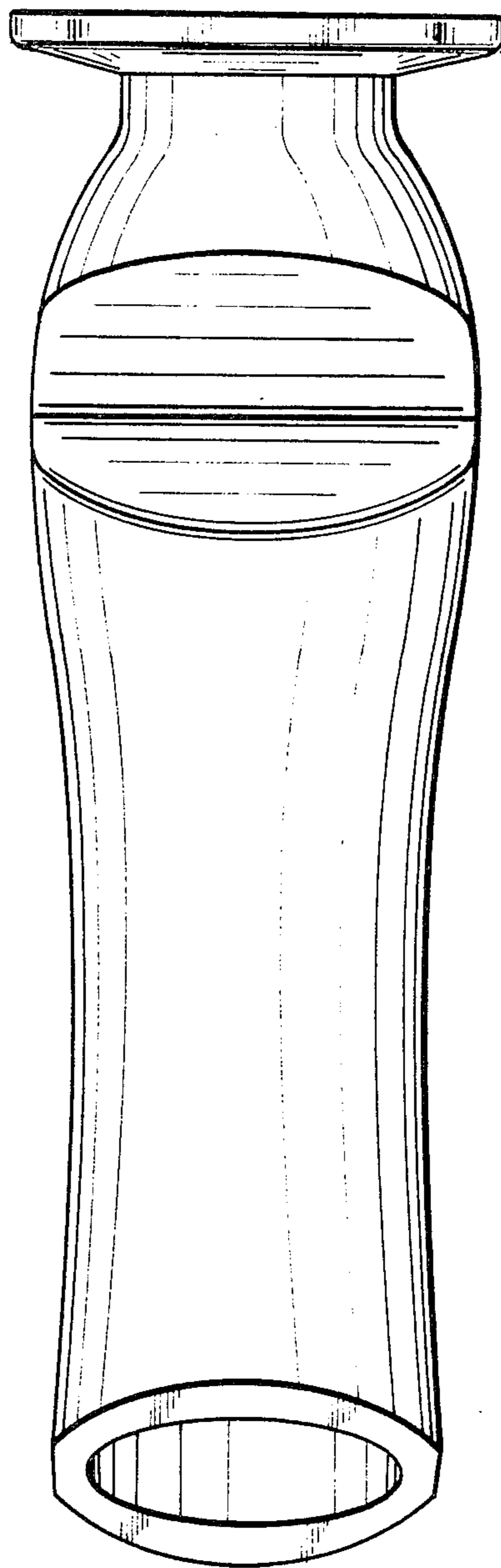


FIG. 5

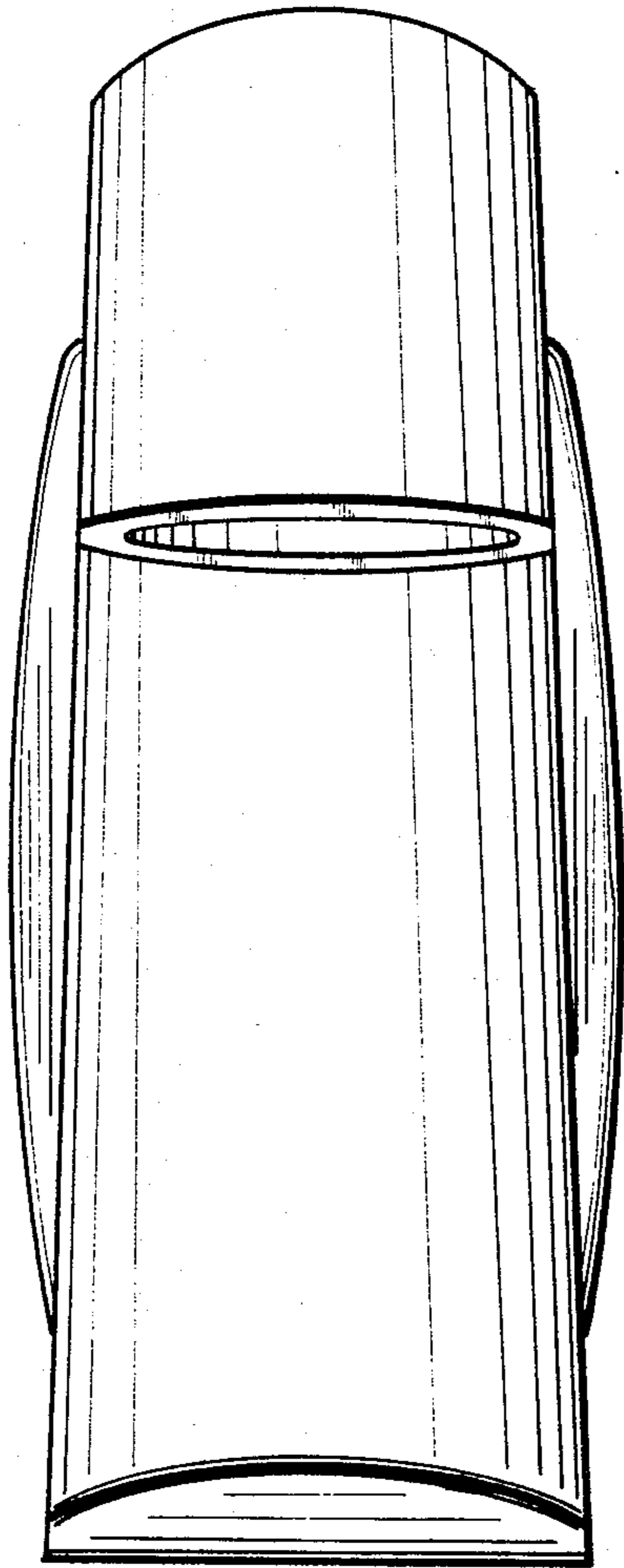


FIG. 6

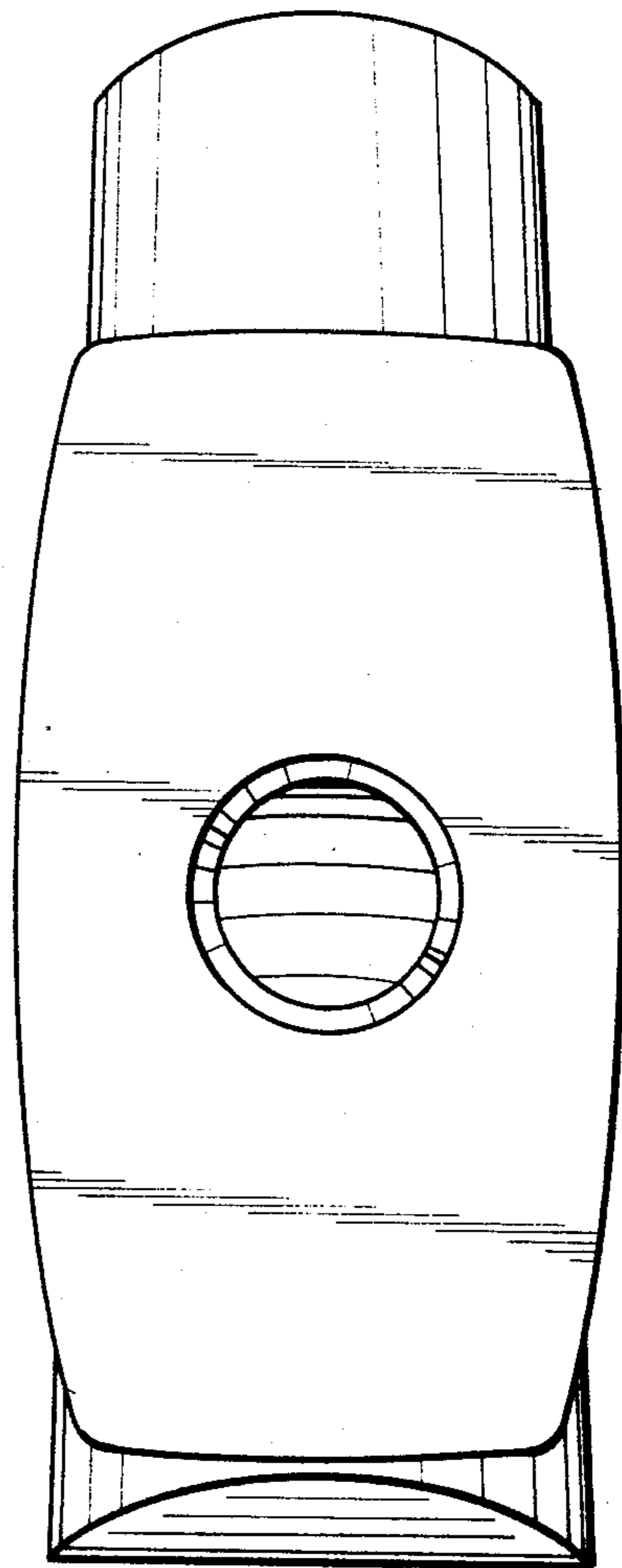


FIG. 7

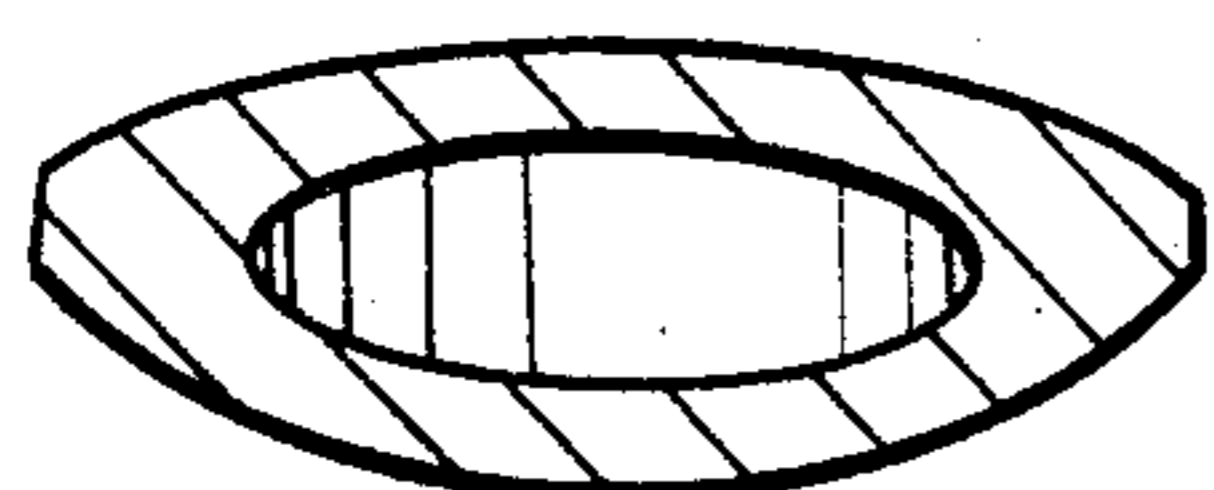


FIG. 8

