

[54] COMBINED TETHERED GOLF TEES AND BASE THEREFOR

3,112,111 11/1963 Bennett 273/203

[76] Inventor: Gordon D. Wampler, 302 Sutton Bridge Rd., Box 701, Gadsden, Ala. 35901

Primary Examiner—Melvin B. Feifer
Attorney, Agent, or Firm—Woodford R. Thompson, Jr.

[**] Term: 14 Years

[57] CLAIM

[21] Appl. No.: 481,485

The ornamental design for a combined tethered golf tees and base therefor, as shown and described.

[22] Filed: Apr. 1, 1983

DESCRIPTION

[52] U.S. Cl. D21/208

FIG. 1 is a perspective view of a combined tethered golf tees and base therefor showing my new design;

[58] Field of Search D21/208, 234; 273/203, 273/208

FIG. 2 is a top plan view thereof;
FIG. 3 is a bottom view thereof;
FIG. 4 is a side elevational view thereof;
FIG. 5 is a side elevational view of the side opposite that shown in FIG. 4;

[56] References Cited

U.S. PATENT DOCUMENTS

- 1,255,140 2/1918 David D21/208
- 1,542,514 6/1925 Mahony 273/203
- 1,552,294 9/1925 Gledhill 273/203

FIG. 6 is a front elevational view thereof; and,
FIG. 7 is a rear elevational view thereof.
The broken lines indicate indeterminate length of the tether.

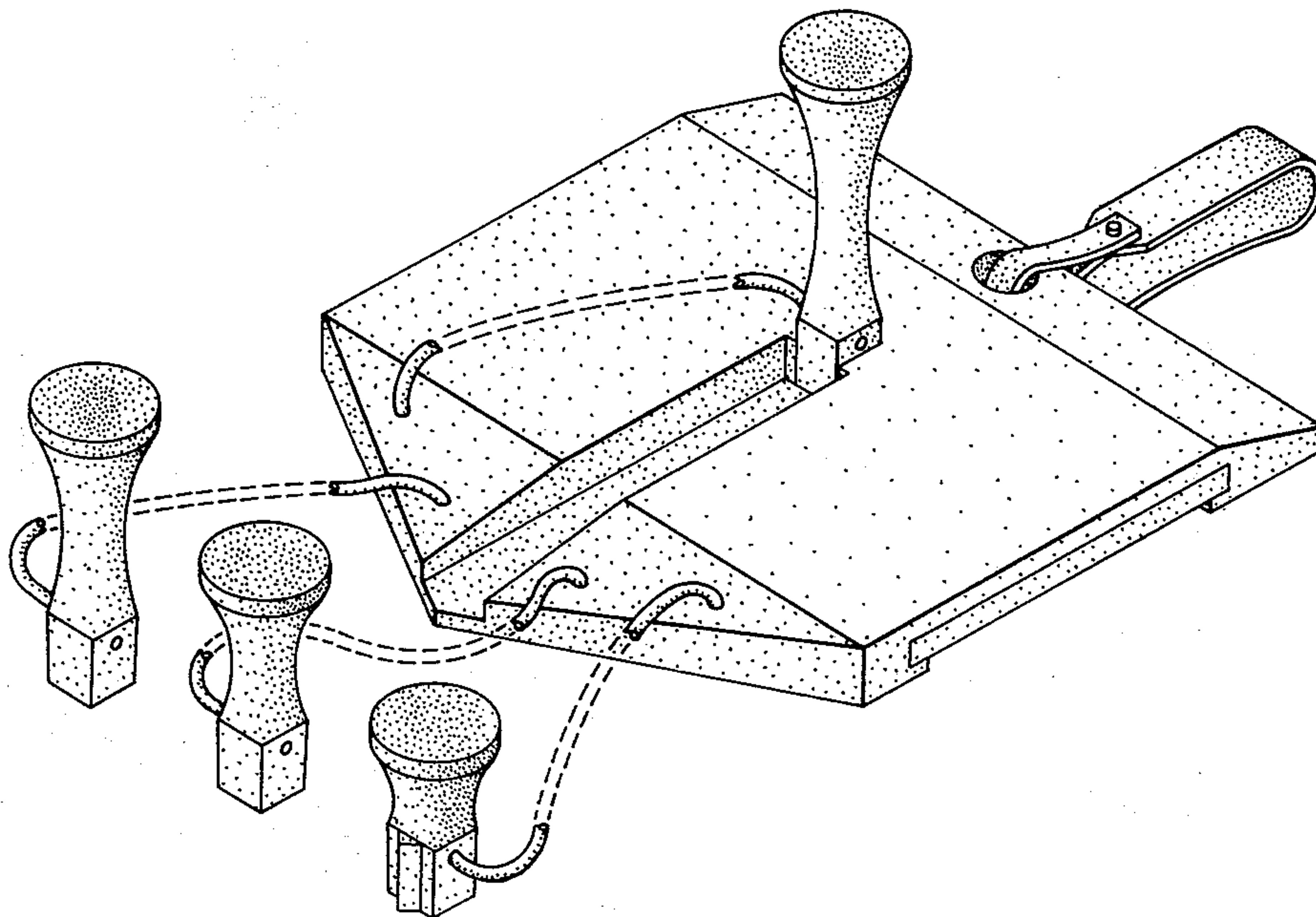


Fig. 1

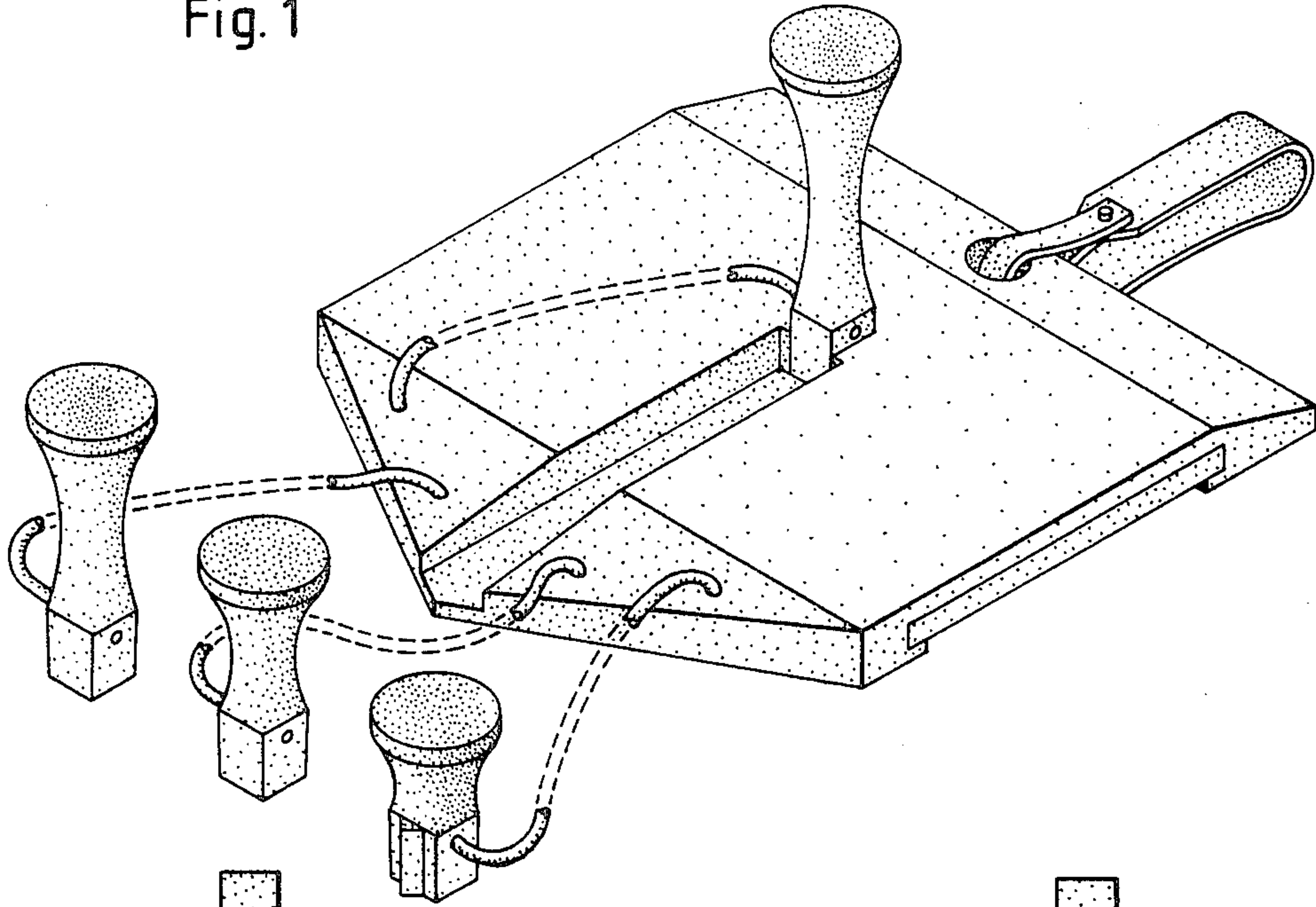


Fig. 2

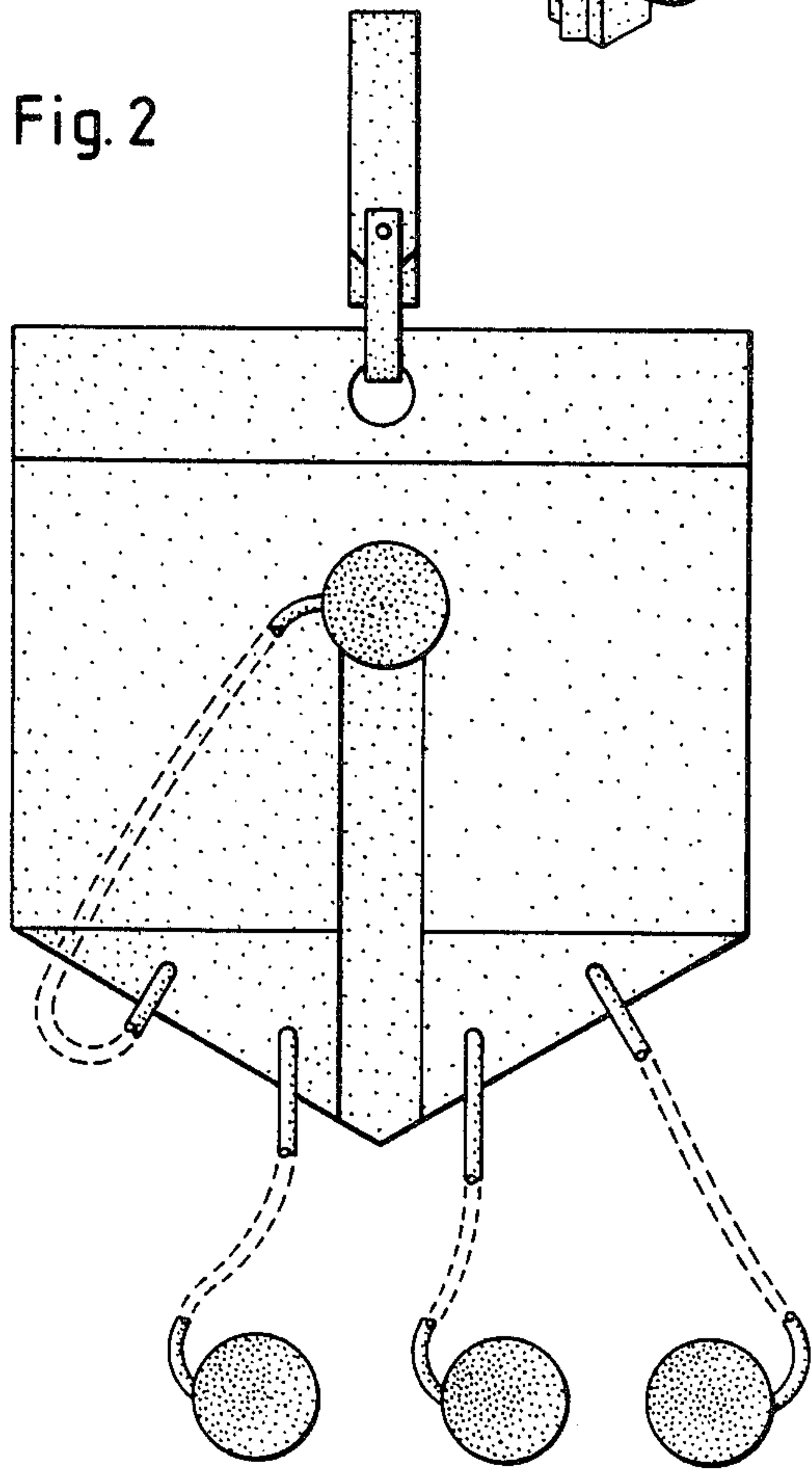
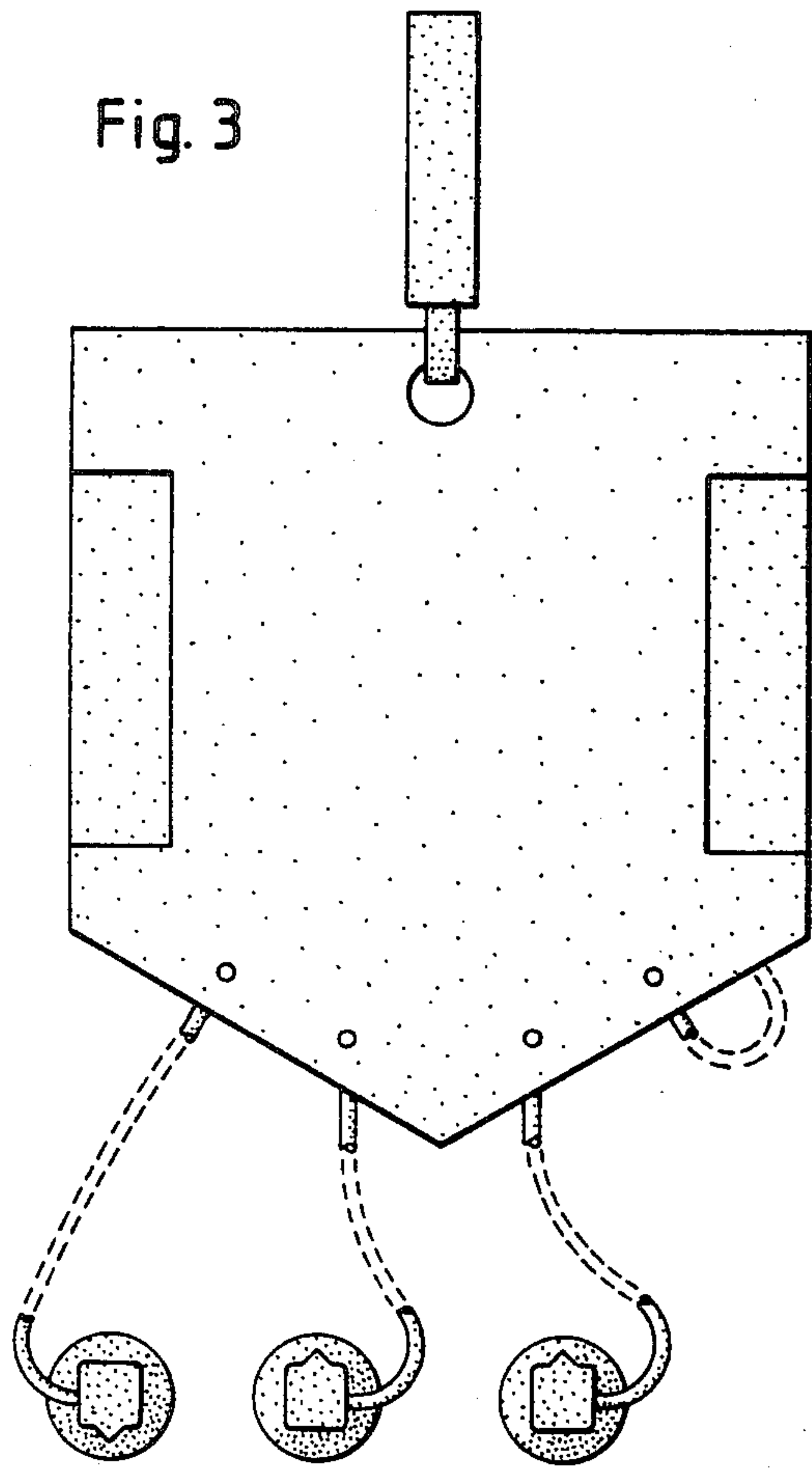


Fig. 3



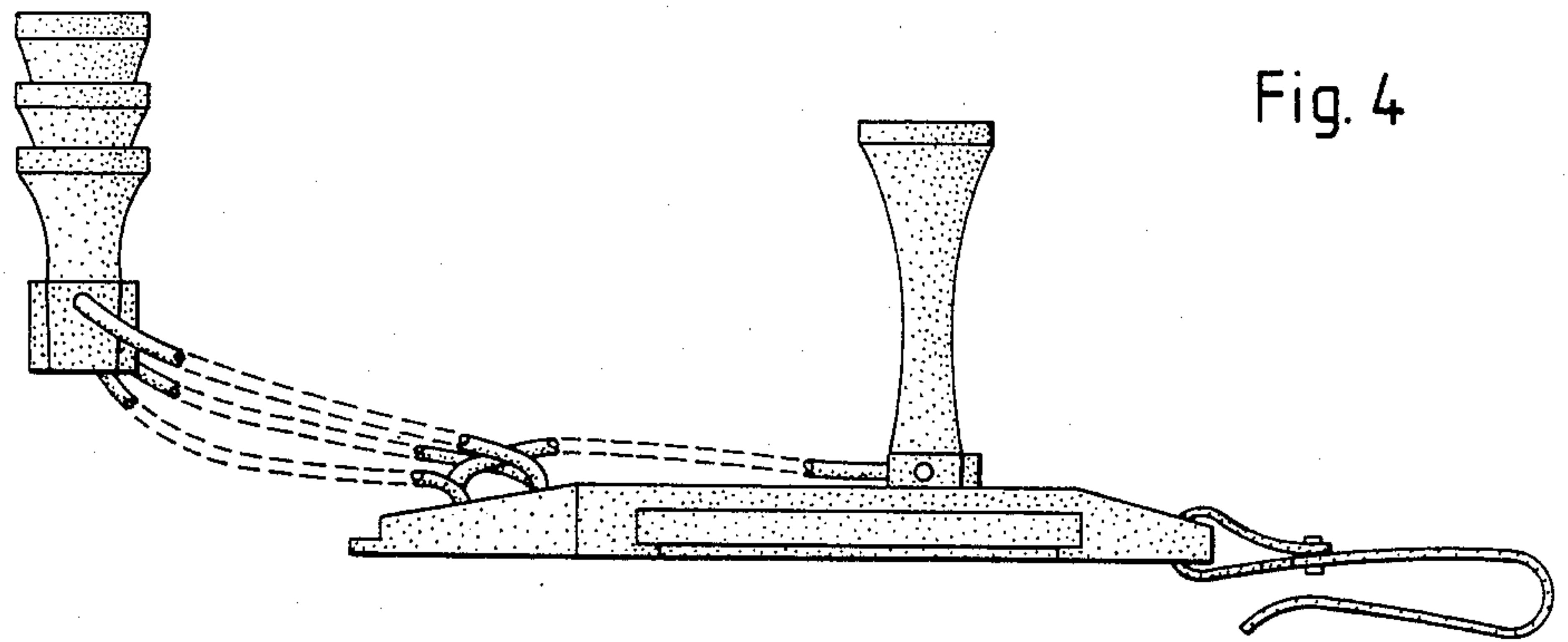


Fig. 4

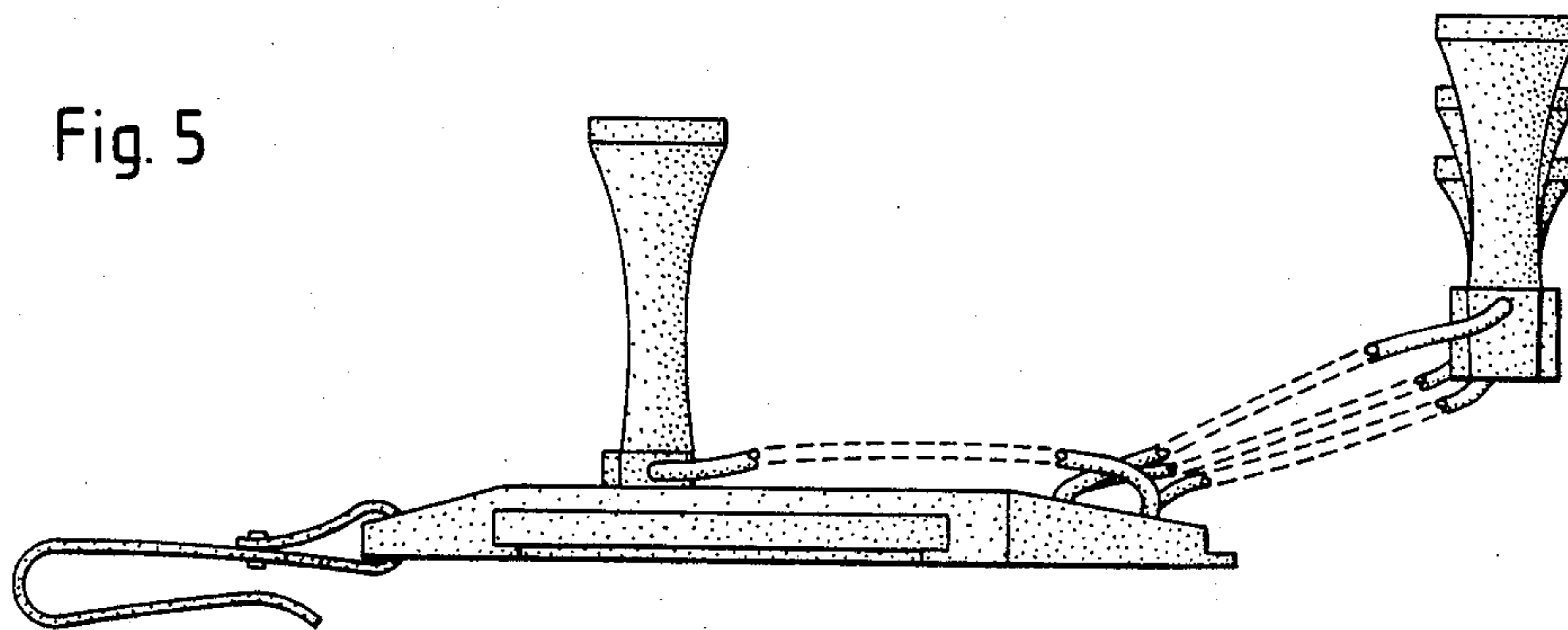


Fig. 5

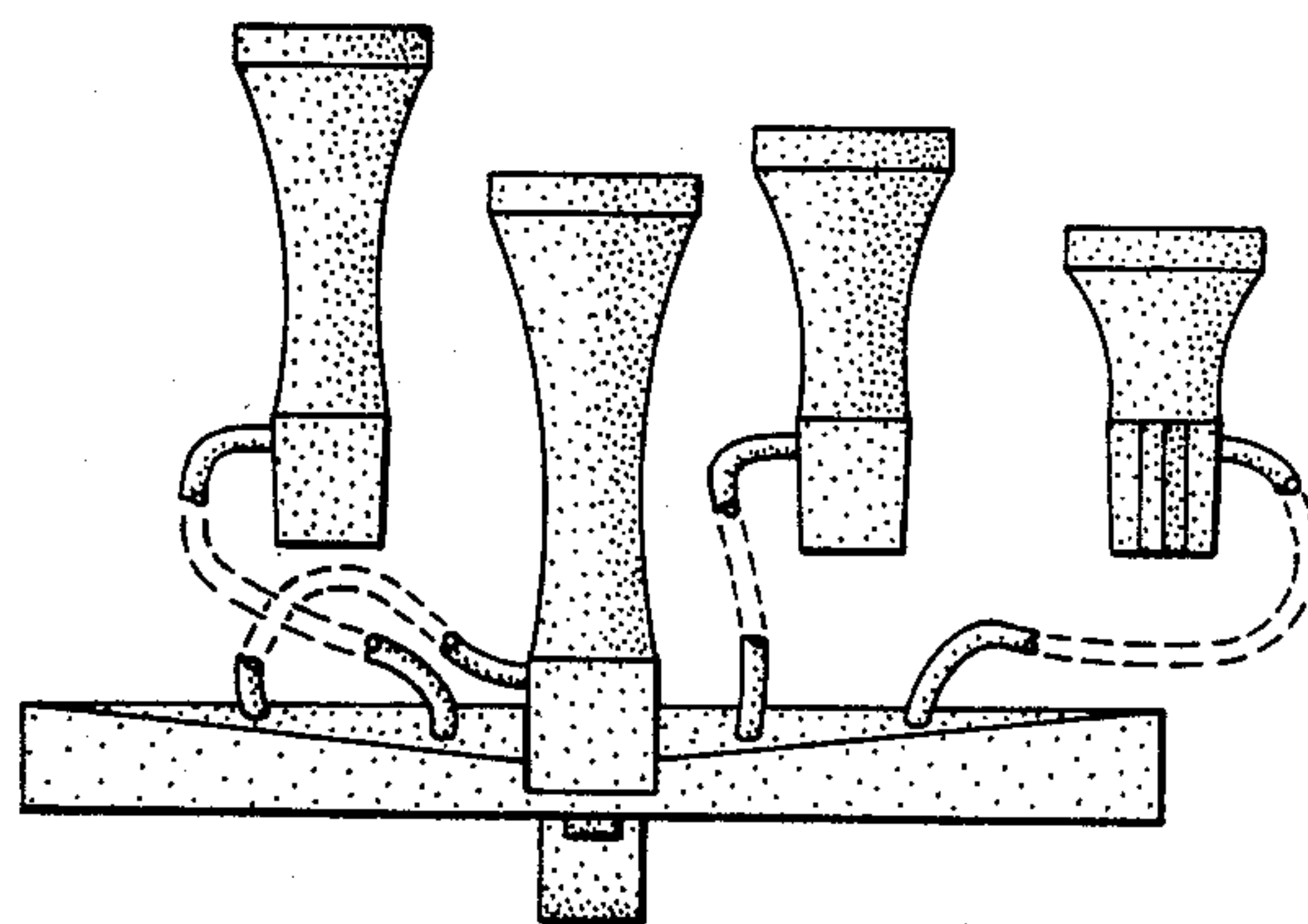


Fig. 6

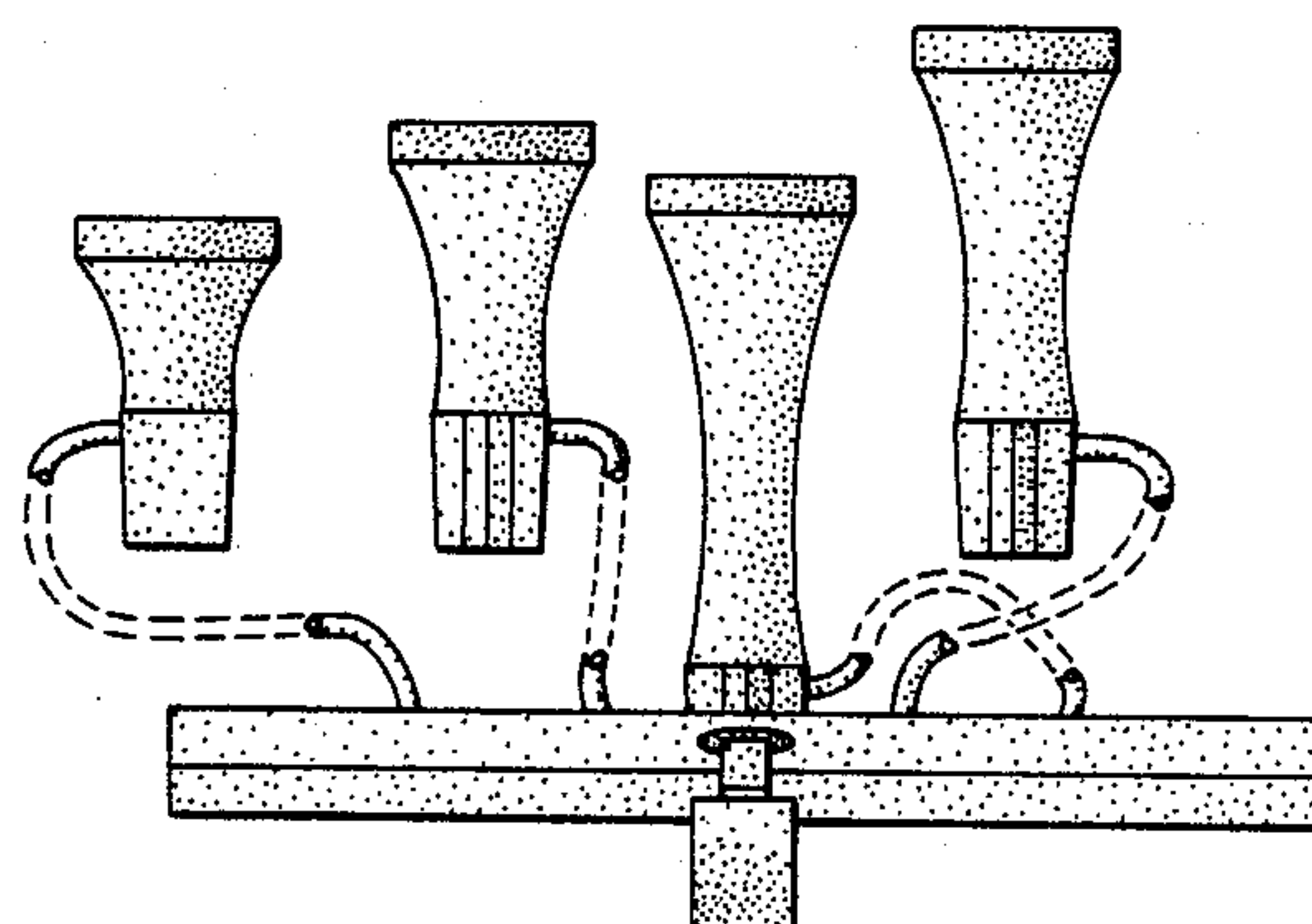


Fig. 7