

# United States Patent [19]

Klawitter

[11] Patent Number: Des. 279,118

[45] Date of Patent: \*\* Jun. 4, 1985

[54] TOY LAWN TRIMMER

[75] Inventor: Ronald R. Klawitter, Hermann, Mo.

[73] Assignee: Handi-Pac, Inc., Hermann, Mo.

[\*\*] Term: 14 Years

[21] Appl. No.: 381,074

[22] Filed: May 24, 1982

[52] U.S. Cl. .... D21/120; D21/124

[58] Field of Search ..... D21/59, 64, 109, 124,  
D21/125, 120; 46/1 R, 39, 40, 47, 174, 175 AR;  
D15/14, 17

[56] **References Cited**

**U.S. PATENT DOCUMENTS**

2,781,609 2/1957 Allen ..... 46/39  
3,292,300 12/1966 Lescher et al. .... 46/39

3,435,153 3/1969 D'Amato ..... 46/174

*Primary Examiner*—Charles A. Rademaker  
*Attorney, Agent, or Firm*—Polster, Polster and Lucchesi

[57] **CLAIM**

The ornamental design for toy lawn trimmer, as shown and described.

**DESCRIPTION**

FIG. 1 is a perspective view of a toy lawn trimmer showing my new design;  
FIG. 2 is a side elevational view thereof, the side opposite being substantially a mirror image;  
FIG. 3 is a top plan view thereof;  
FIG. 4 is a bottom plan view thereof;  
FIG. 5 is a front elevational view thereof; and,  
FIG. 6 is a rear elevational view thereof.  
Portions of FIGS. 2, 3 and 4 have been shown in fragment for ease of illustration.

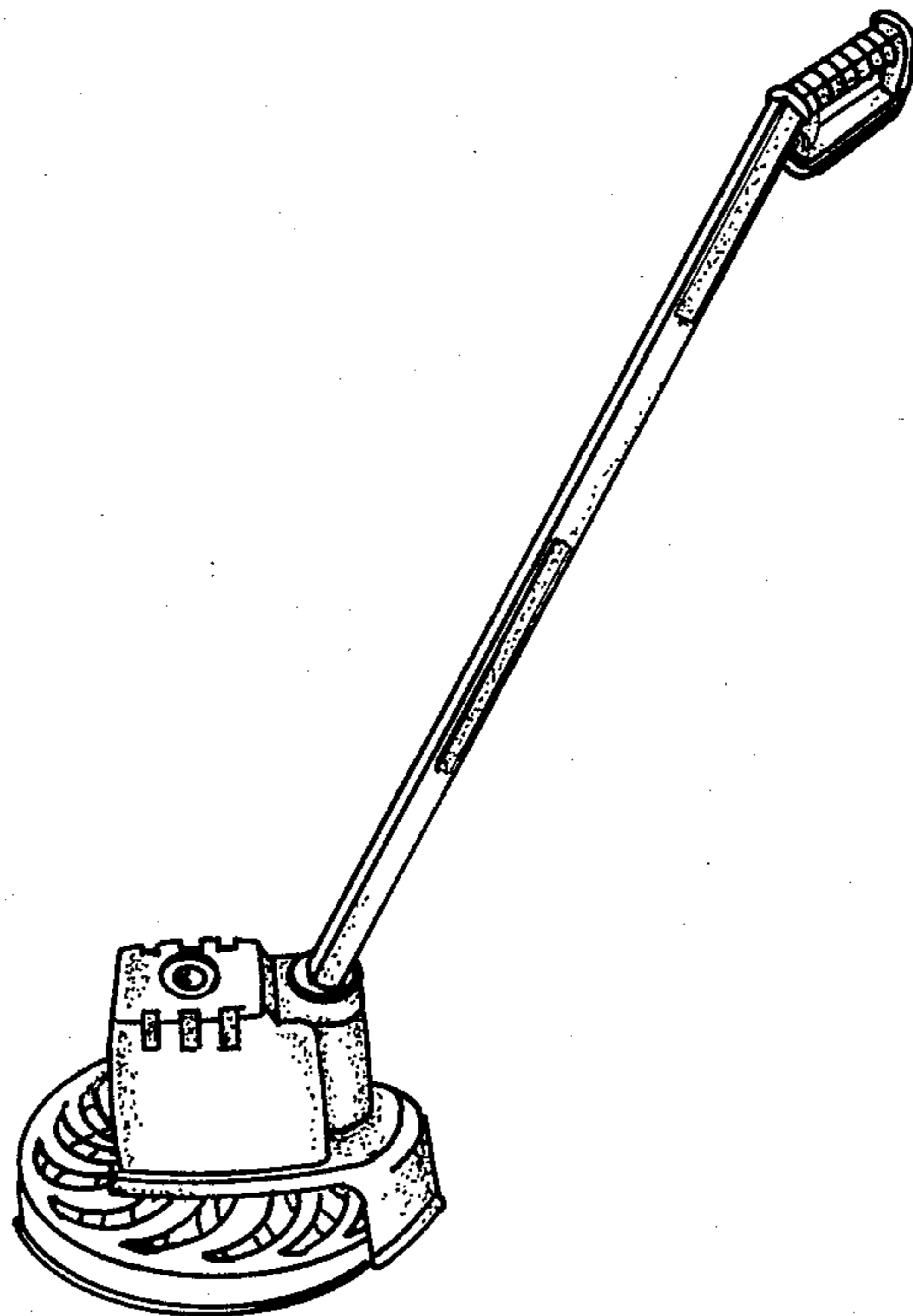


FIG. 1.

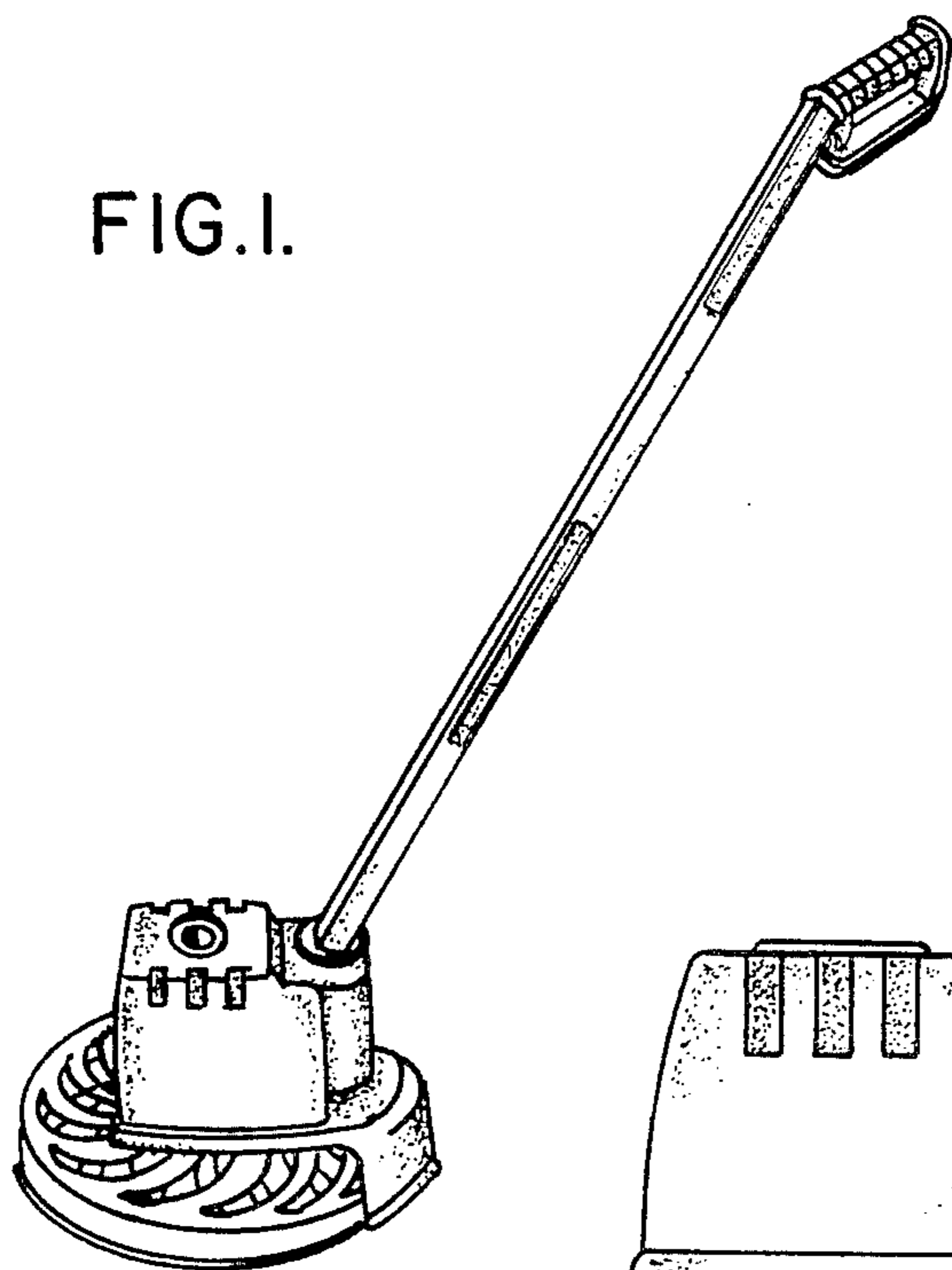


FIG. 2.

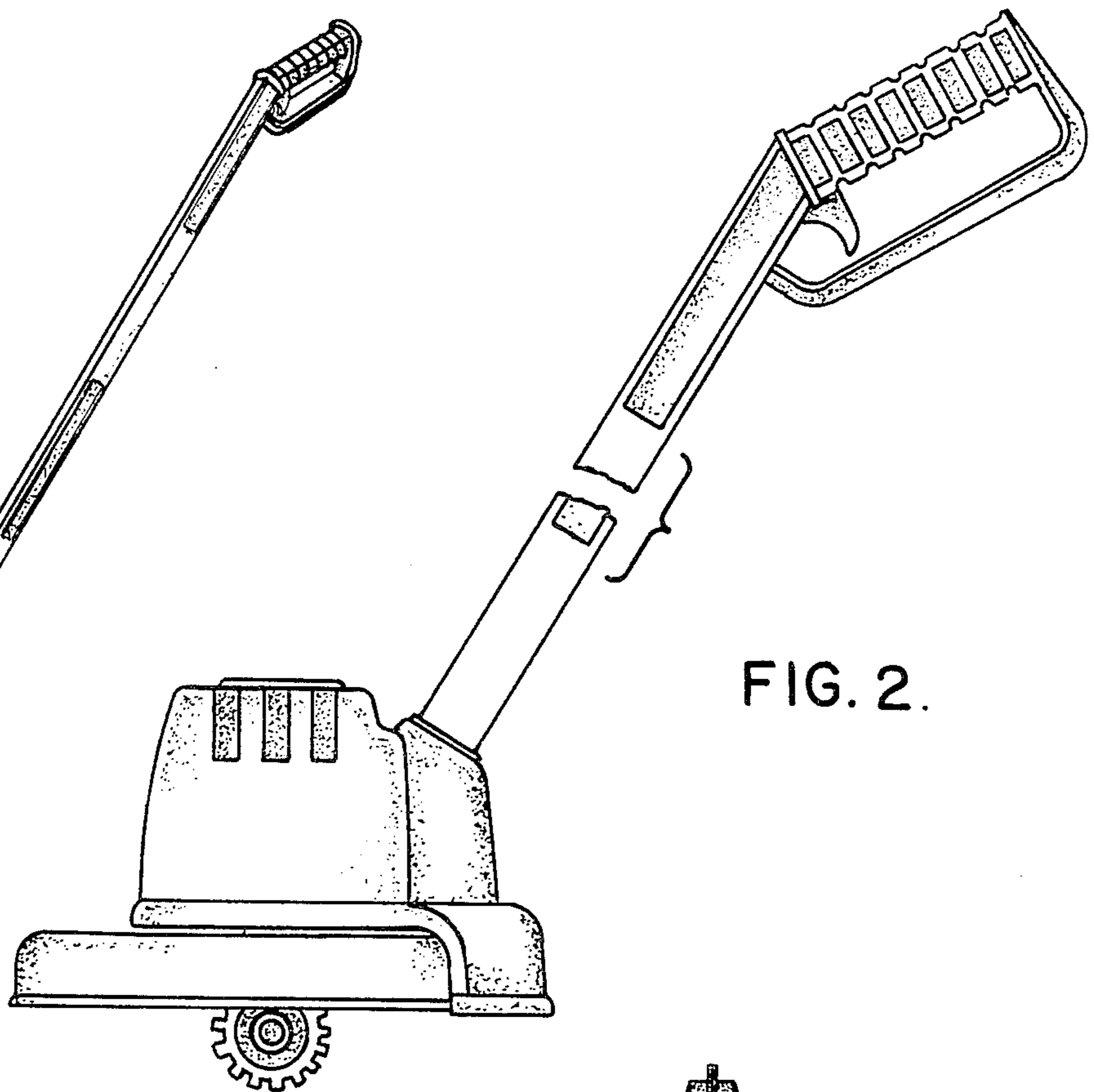


FIG. 3.

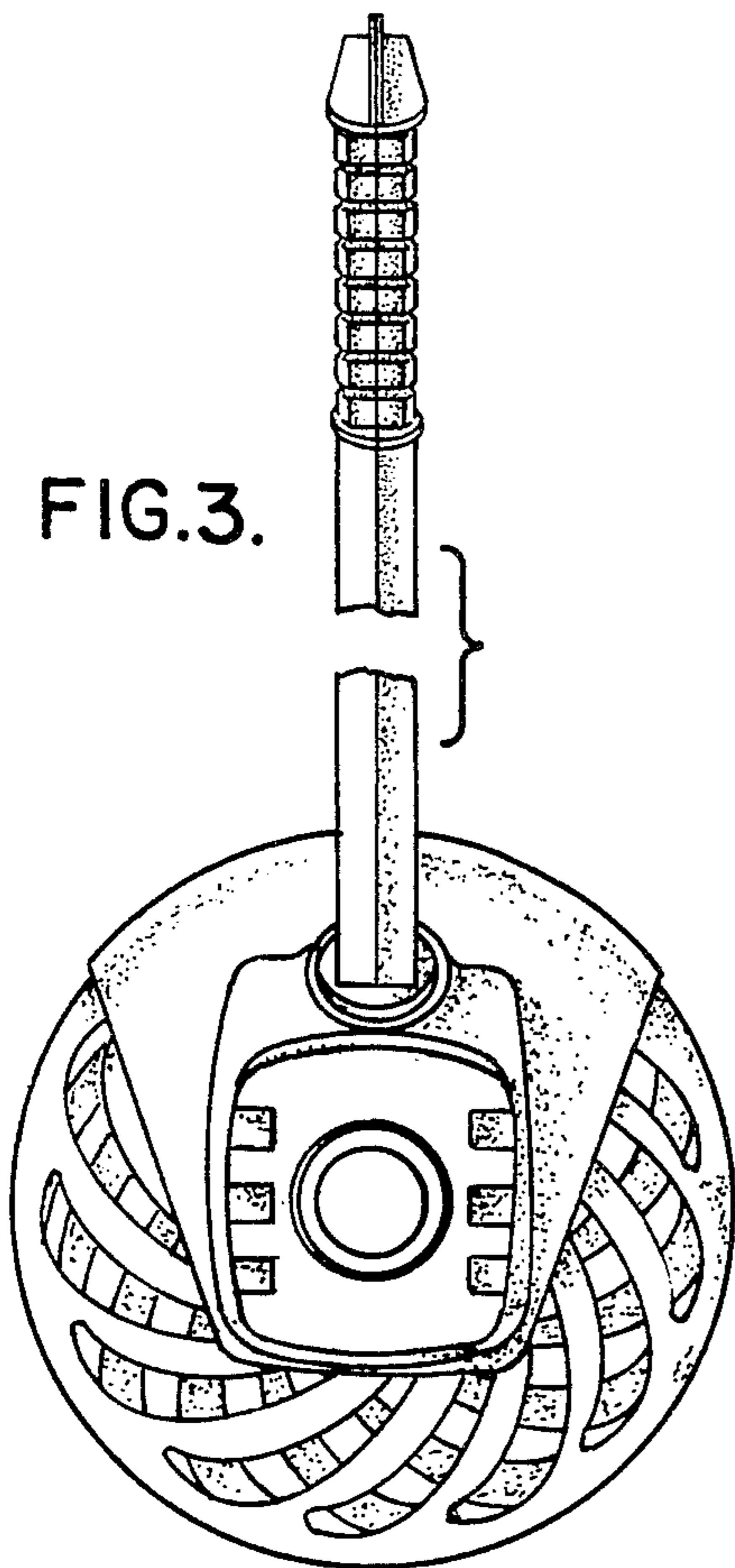
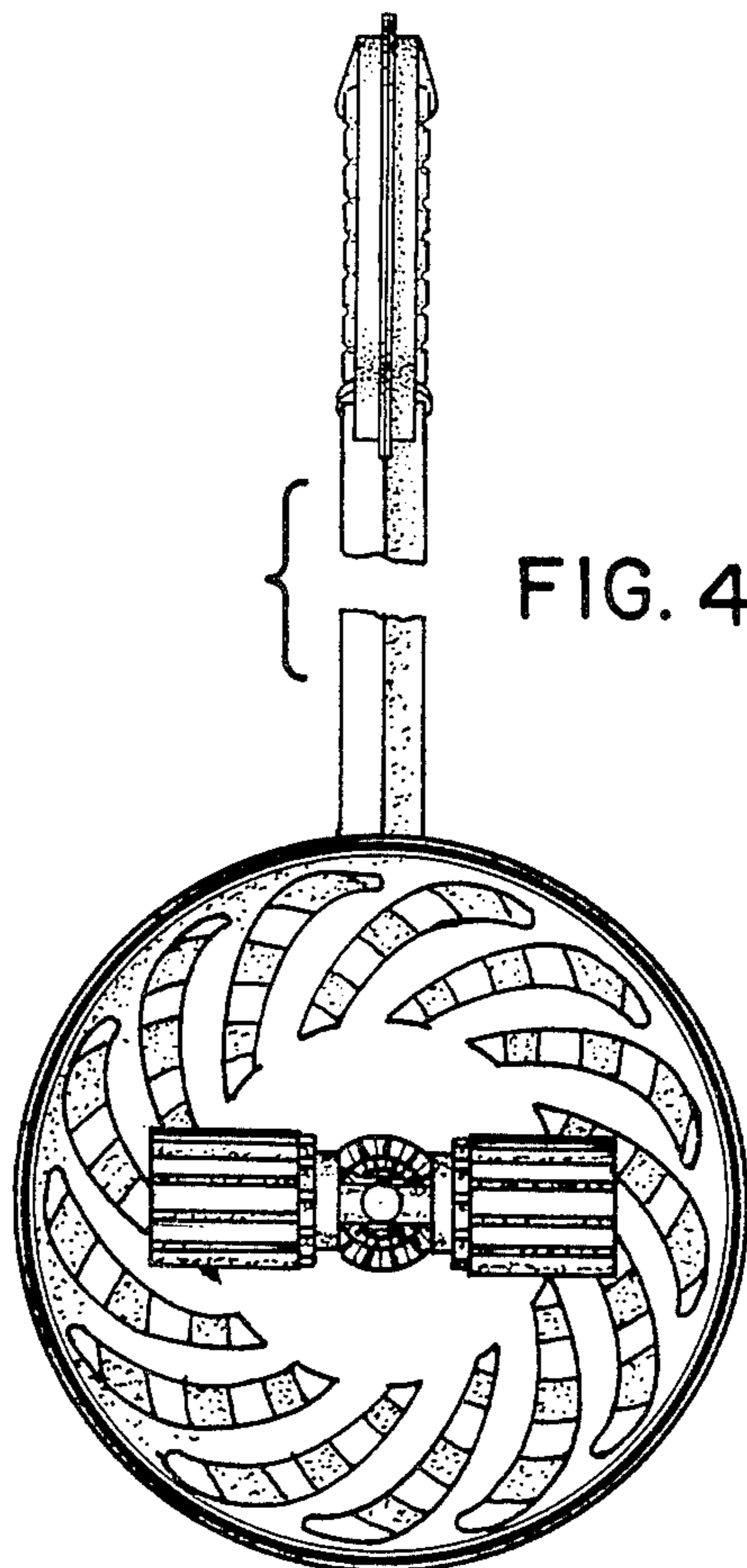


FIG. 4.



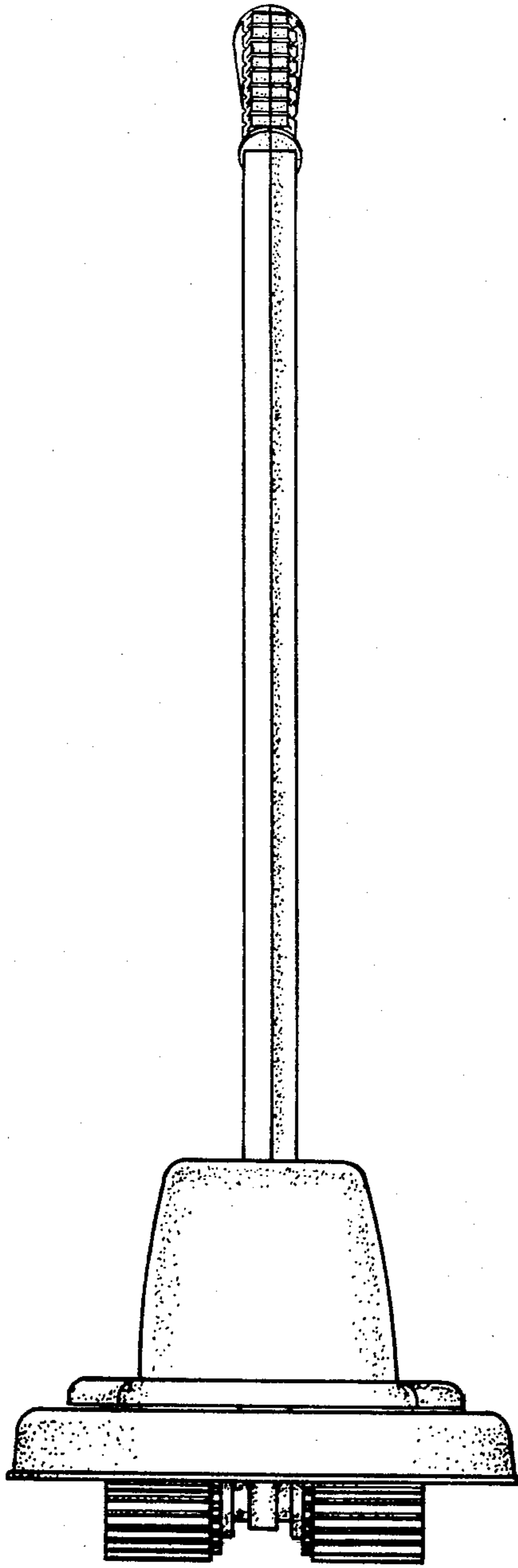


FIG. 5.

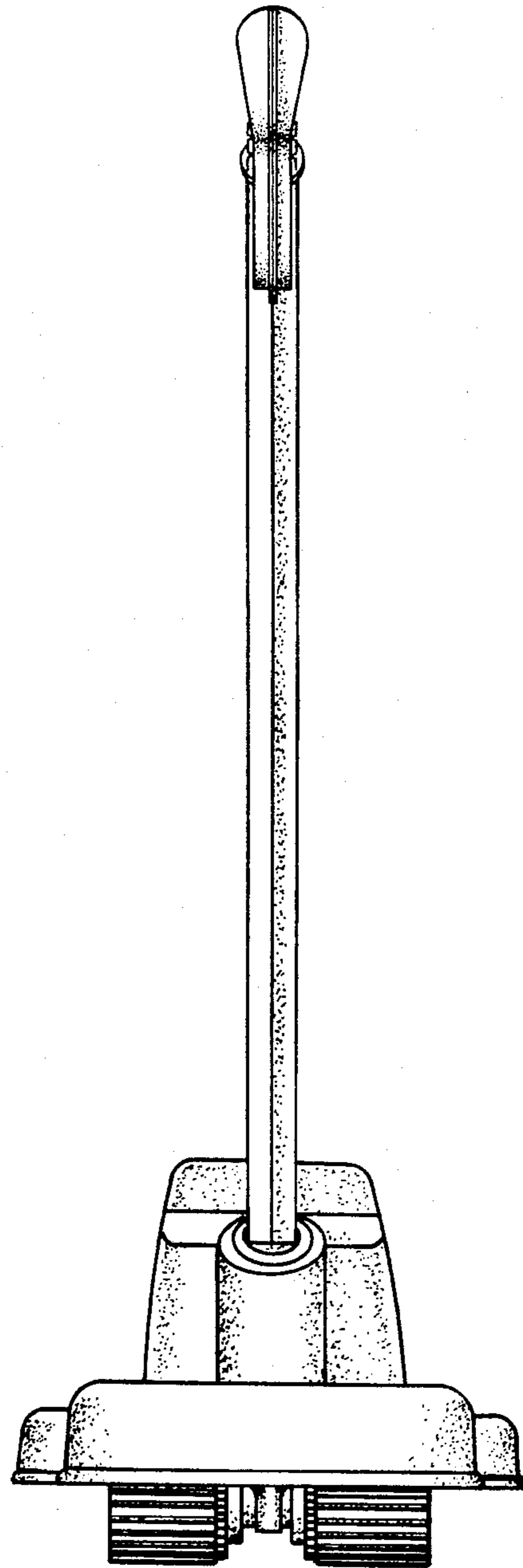


FIG. 6.