

# United States Patent [19]

Halcomb, Sr. et al.

[11] Patent Number: **Des. 279,101**

[45] Date of Patent: **\*\* Jun. 4, 1985**

[54] **MULTIPLE VENTURI GASOLINE/AIR MIXER**

4,351,300 9/1982 Selvidge et al. .... 48/180.1  
4,417,562 11/1983 Dalke ..... 48/180 S

[76] Inventors: **Walter C. Halcomb, Sr.**, 600 Galaxie, Harrisonville, Mo. 64701; **W. Carl Halcomb, Jr.**, 9220 Ensley La., Leawood, Kans. 66206; **Jeff D. McFerron**, 600 James St., Harrisonville, Mo. 64701

*Primary Examiner*—Wallace R. Burke  
*Assistant Examiner*—Lynn Wilder  
*Attorney, Agent, or Firm*—Kokjer, Kircher, Bradley, Wharton, Bowman & Johnson

[\*\*] Term: **14 Years**

[57] **CLAIM**

The ornamental design for a multiple venturi gasoline/air mixer, as shown and described.

[21] Appl. No.: **489,567**

**DESCRIPTION**

[22] Filed: **Apr. 28, 1983**

[52] U.S. Cl. .... **D15/5**

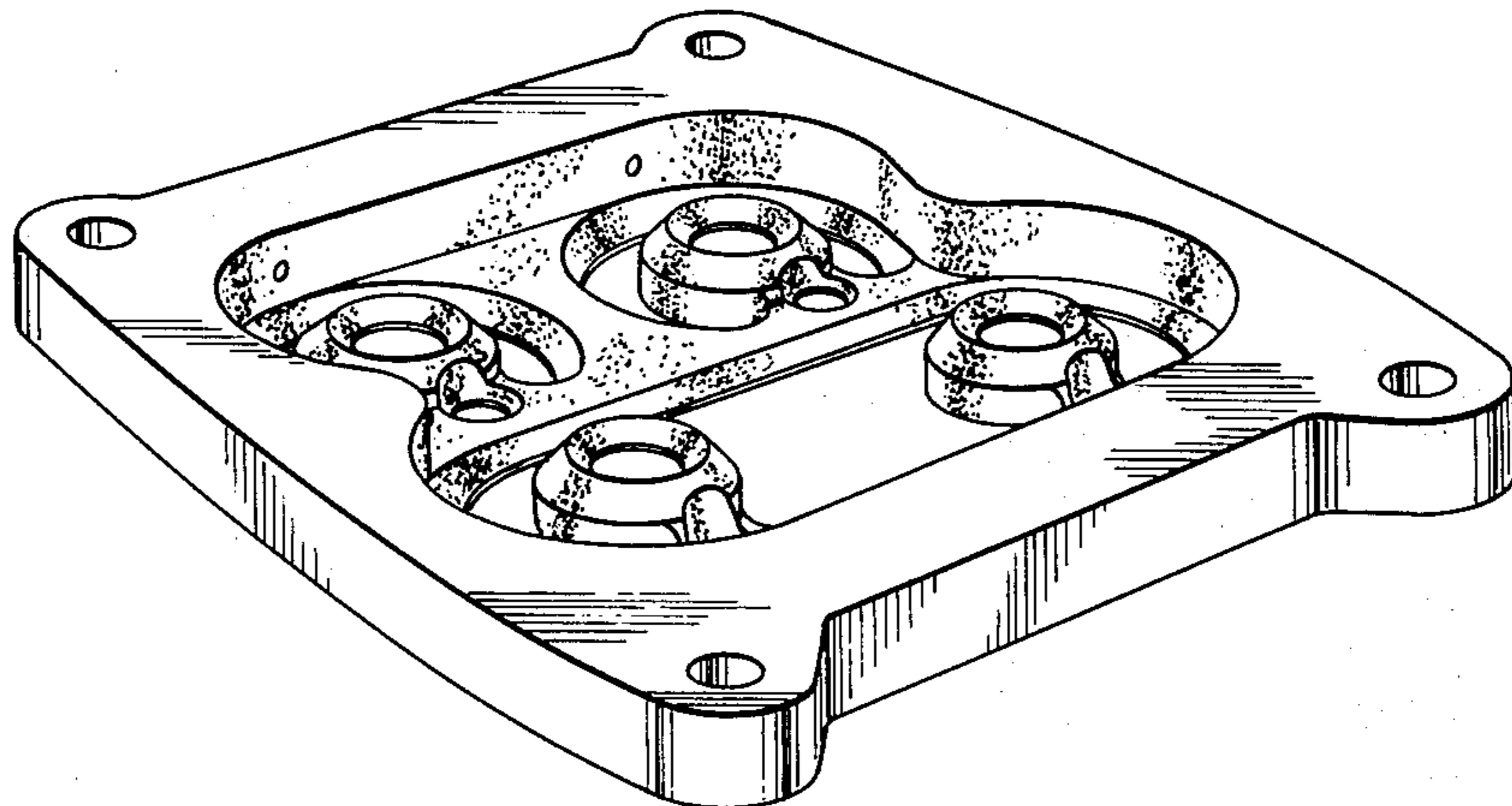
[58] Field of Search .... D15/5; 48/180.1, 189.1-189.7

FIG. 1 is a top perspective view of a multiple venturi gasoline/air mixer showing our new design; FIG. 2 is a bottom perspective view thereof; FIG. 3 is a top plan view thereof; FIG. 4 is a bottom plan view thereof; FIG. 5 is a side elevational view thereof; FIG. 6 is an end elevational view thereof; and FIG. 7 is an end elevational view thereof opposite the view shown in FIG. 6.

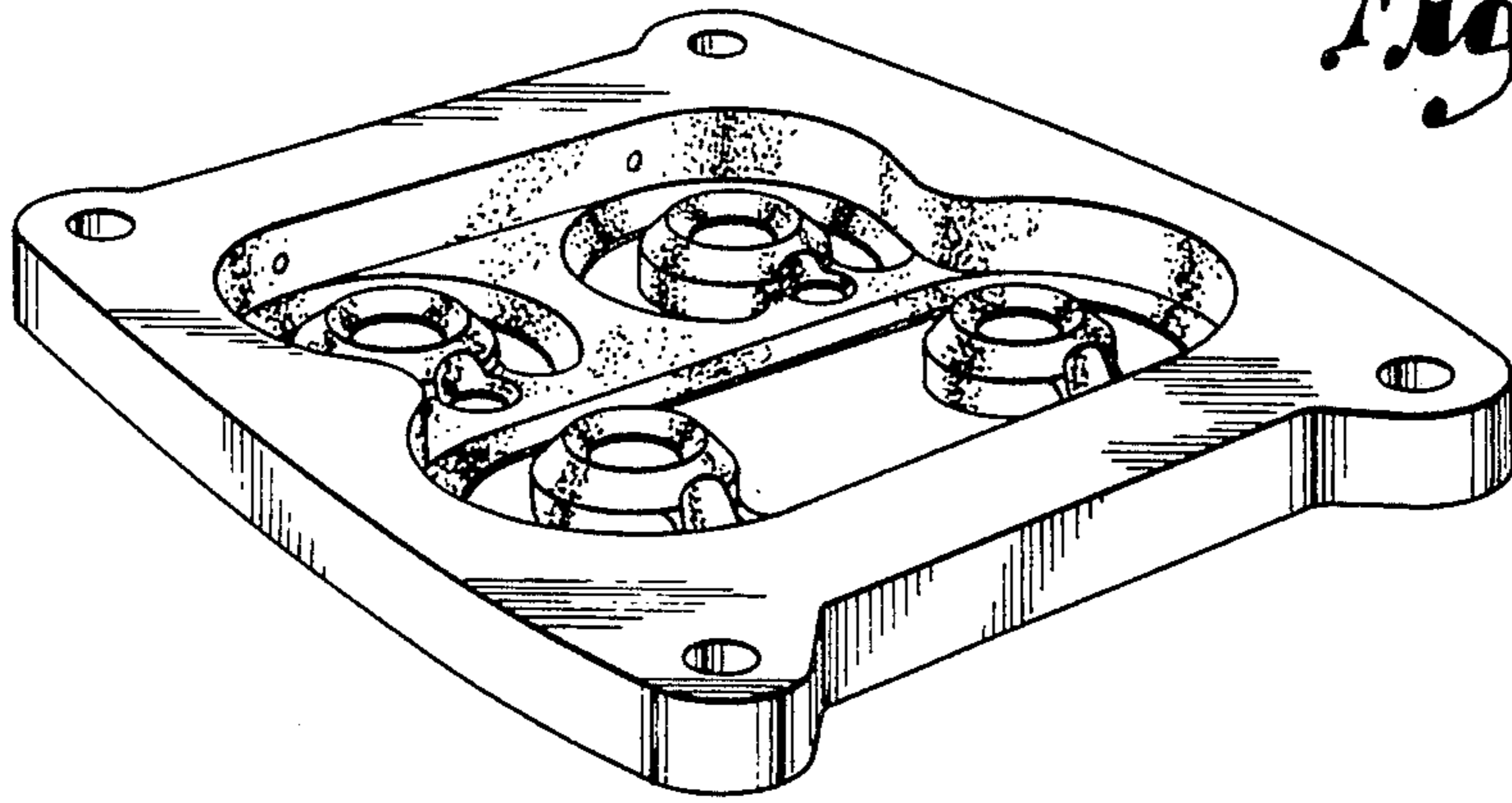
[56] **References Cited**

**U.S. PATENT DOCUMENTS**

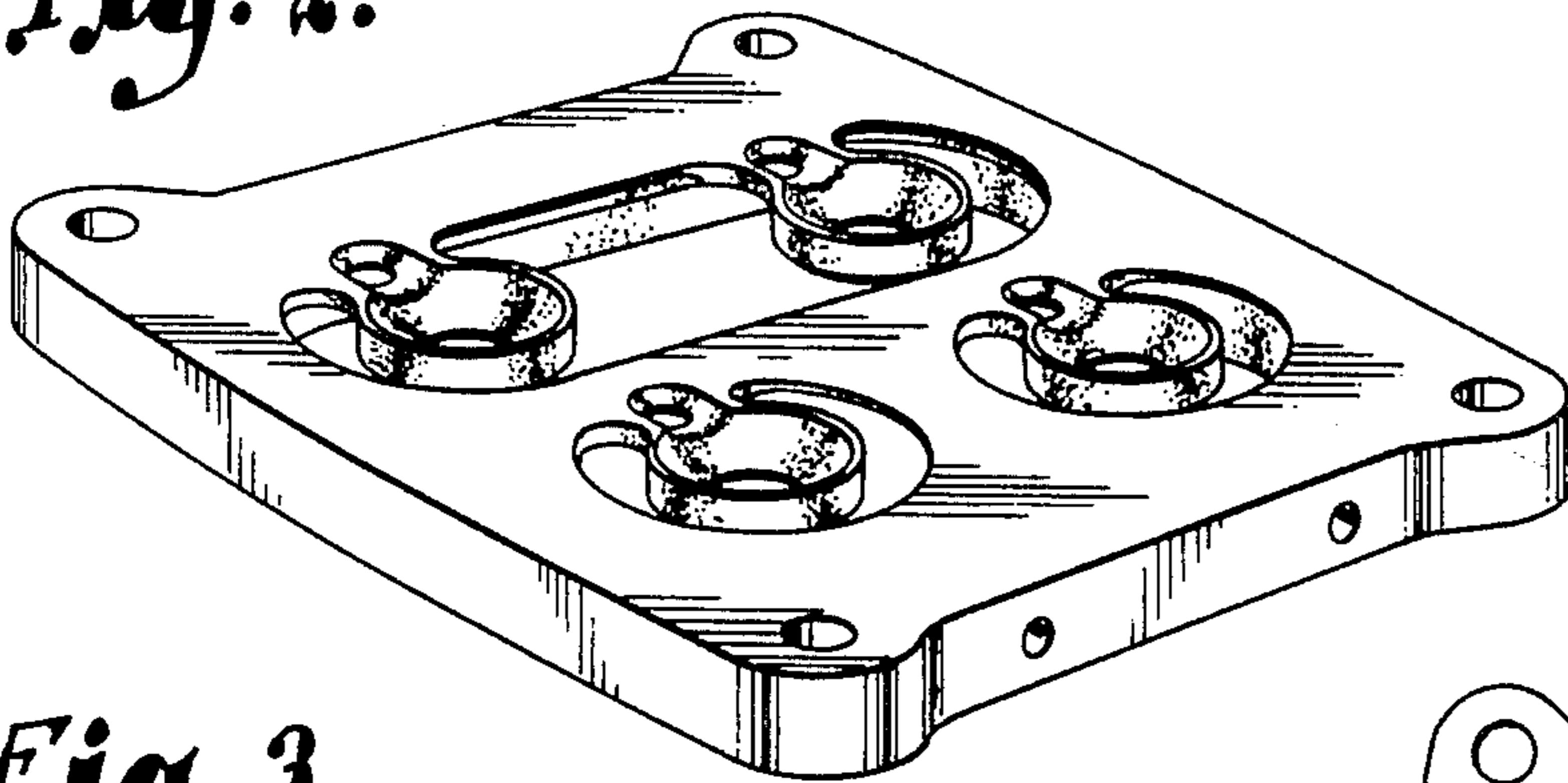
3,554,714 1/1971 Johnson ..... 48/180  
3,846,094 11/1974 Baverstock ..... 48/180.1  
4,153,028 5/1979 Kumm et al. .... 48/189.5



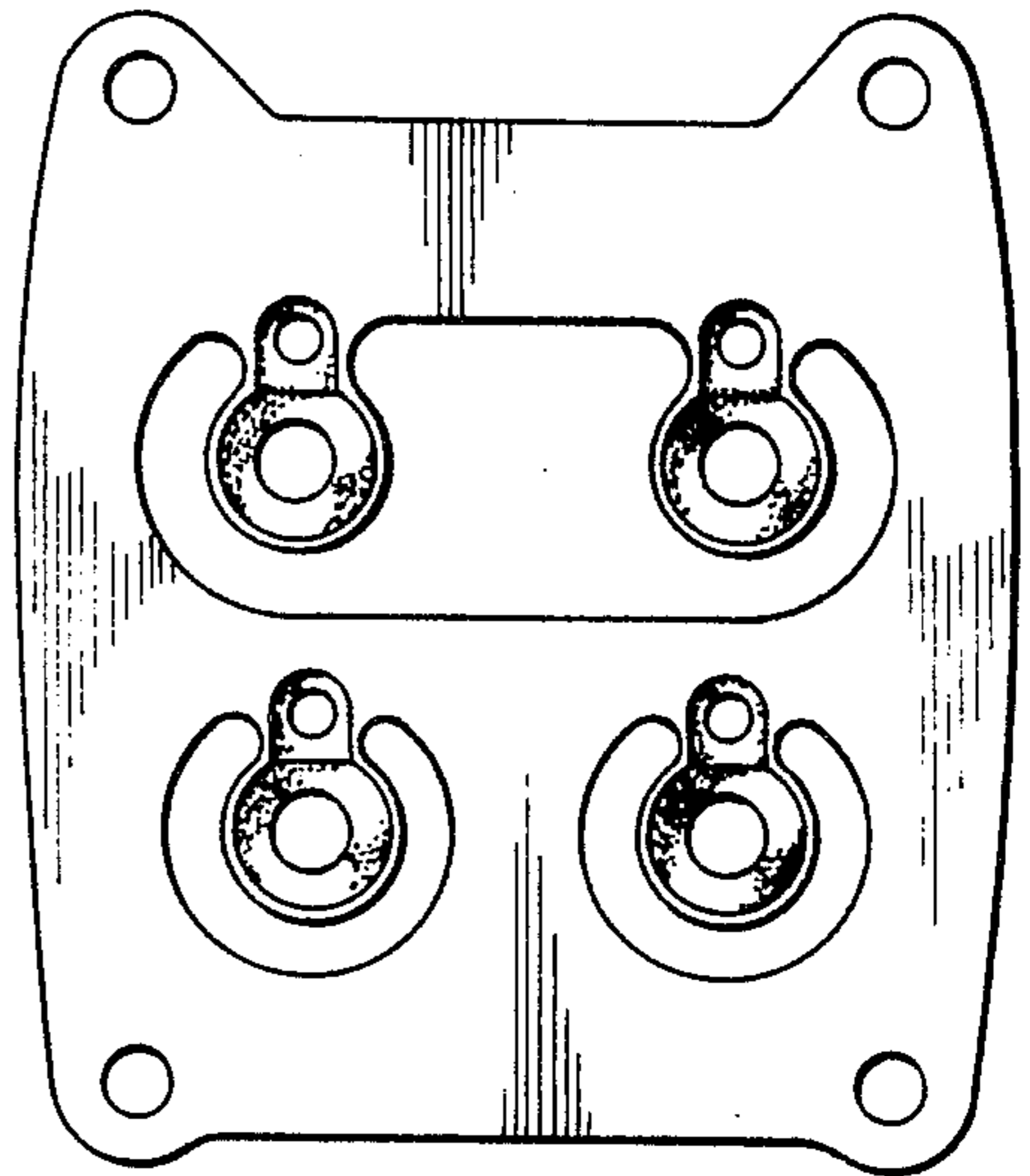
*Fig. 1.*



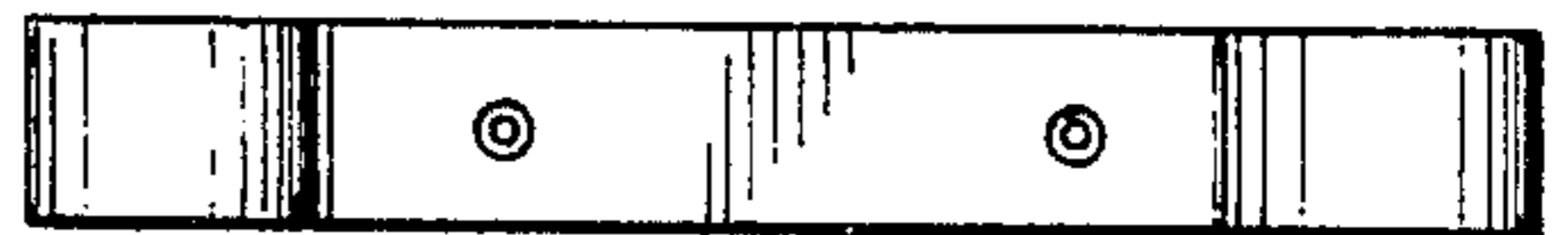
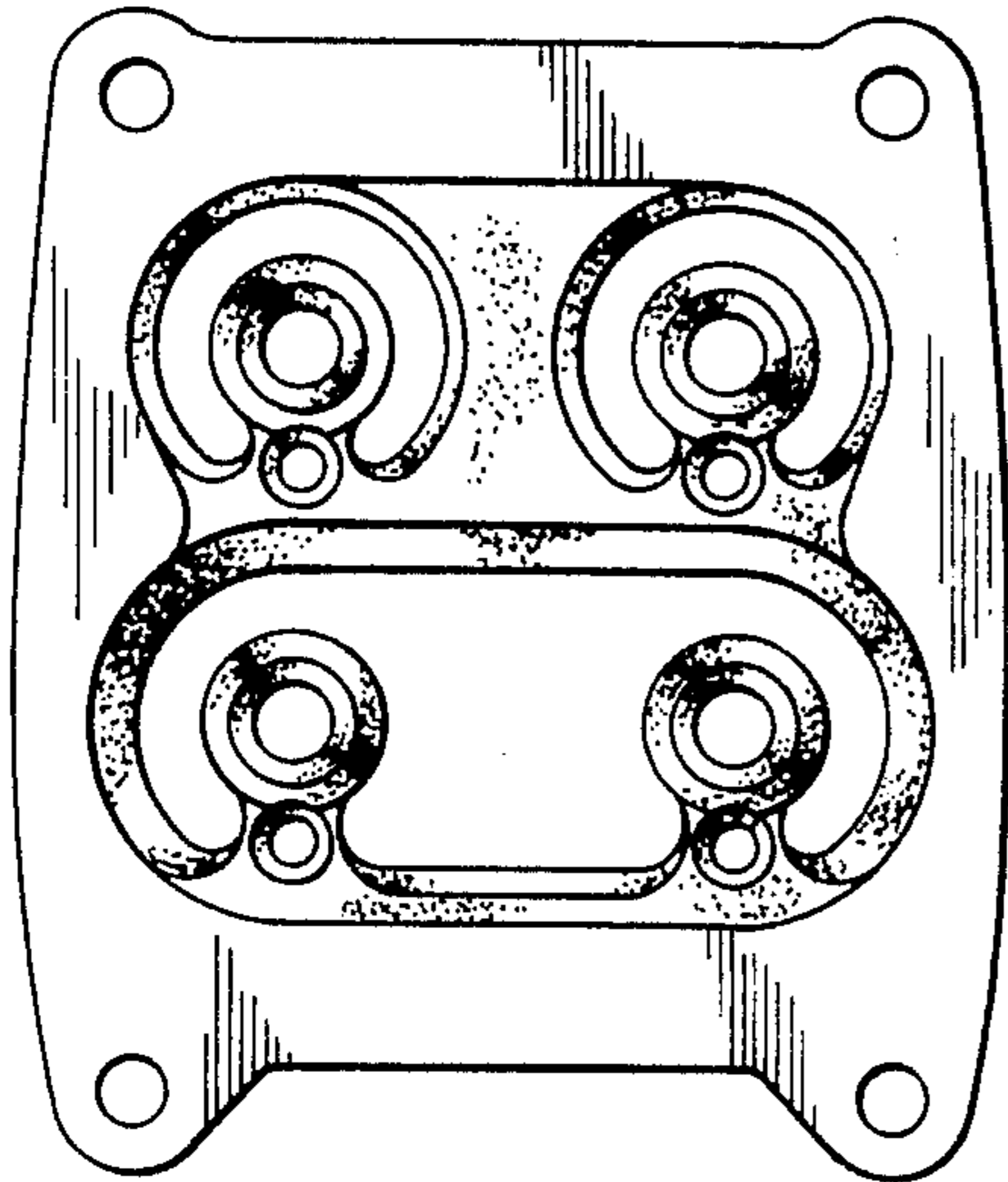
*Fig. 2.*



*Fig. 4.*



*Fig. 3.*



*Fig. 6.*

*Fig. 5.*



*Fig. 7.*

