

[54] COMBINED CLOCK RADIO AND TELEPHONE BASE

[75] Inventor: Elliot I. Baum, Dix Hills, N.Y.

[73] Assignee: QT&T, Inc., Brentwood, N.Y.

[**] Term: 14 Years

[21] Appl. No.: 477,176

[22] Filed: Mar. 21, 1983

[52] U.S. Cl. D14/73; D10/2; D10/15; D14/60

[58] Field of Search D10/2, 15, 31; D14/1, D14/52, 53, 60, 65, 68, 71-73, 75, 76, 99

[56] References Cited

U.S. PATENT DOCUMENTS

- D. 255,677 7/1980 Shiono D14/53
- D. 256,123 7/1980 Houlihan D10/15 X

- D. 263,587 3/1982 Yip D10/15 X
- D. 265,993 8/1982 Meelen D10/15 X
- D. 269,344 6/1983 Van de Ven D10/2 X
- D. 274,247 6/1984 Genaro et al. D10/2 X

Primary Examiner—Jane E. Corrigan
Attorney, Agent, or Firm—Arthur L. Lessler

[57] CLAIM

The ornamental design for a combined clock radio and telephone base, substantially as shown and described.

DESCRIPTION

FIG. 1 is a front, top and right side perspective view of a combined clock radio and telephone base showing my new design;

FIG. 2 is a right side elevational view thereof;

FIG. 3 is a left side elevational view thereof;

FIG. 4 is a rear elevational view thereof;

FIG. 5 is a top plan view thereof; and

FIG. 6 is a bottom plan view thereof.

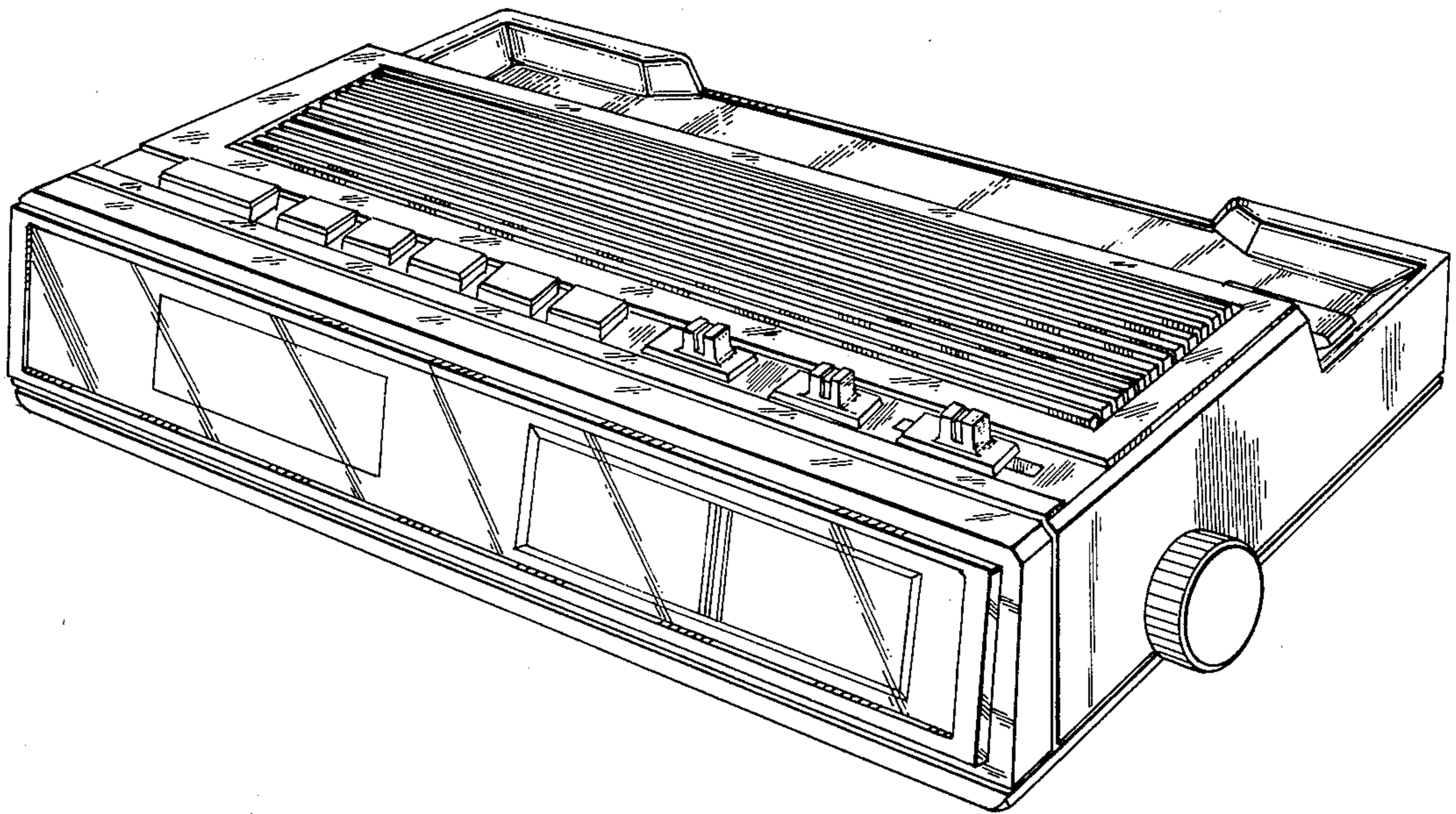


FIG. 1

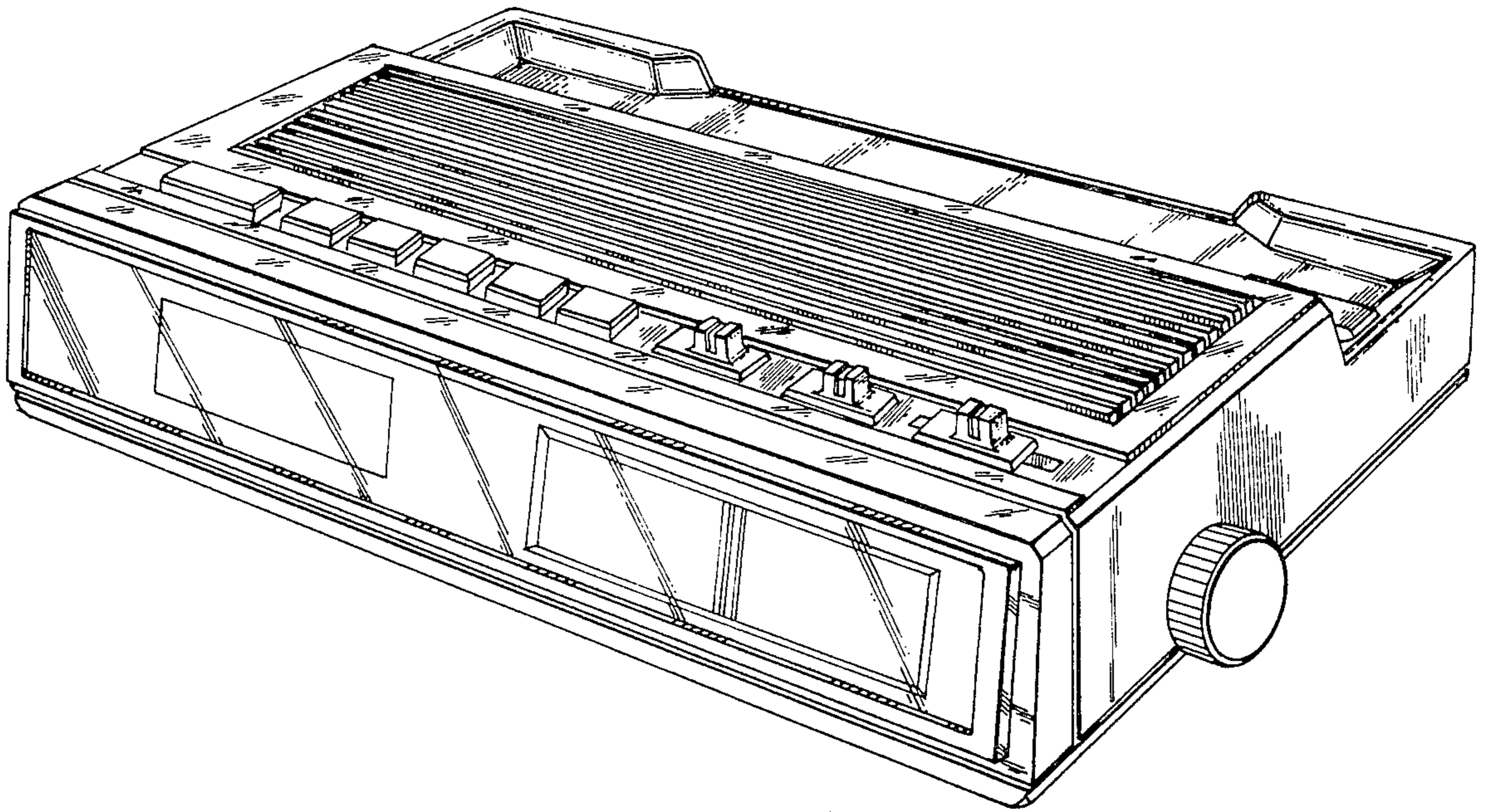
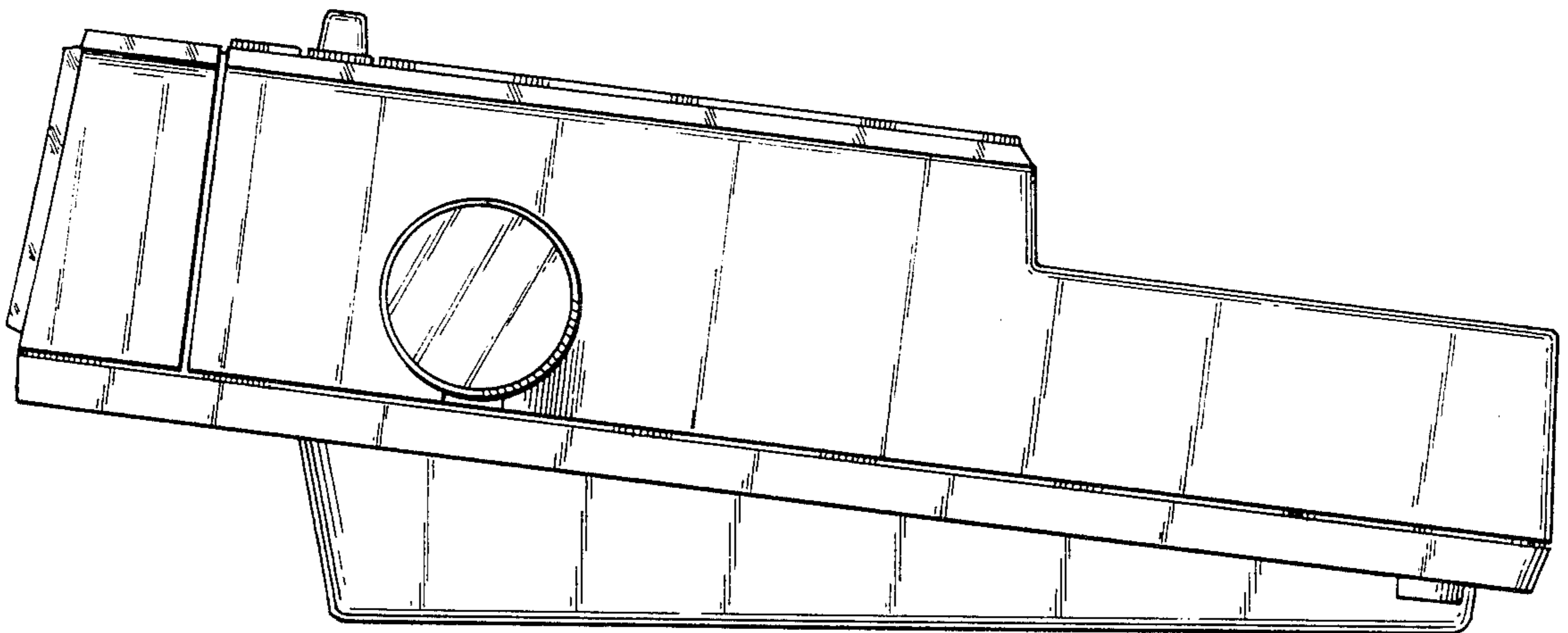


FIG. 2



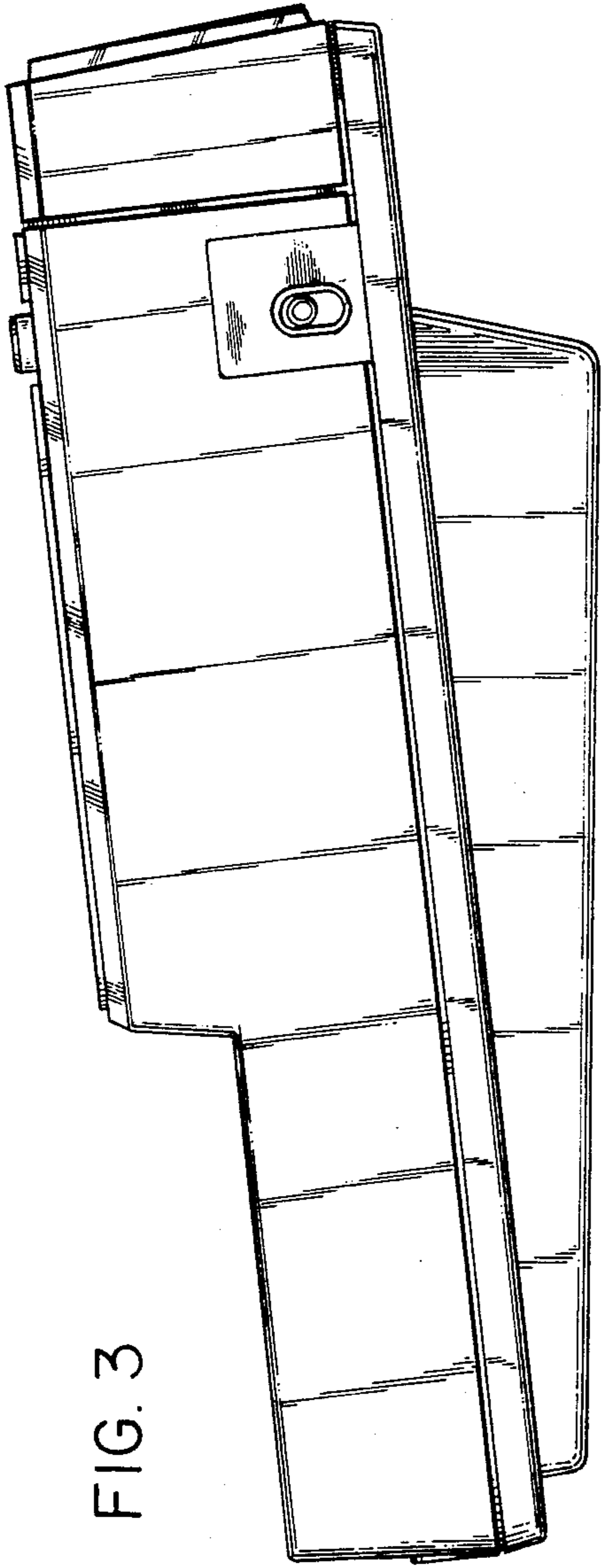


FIG. 4

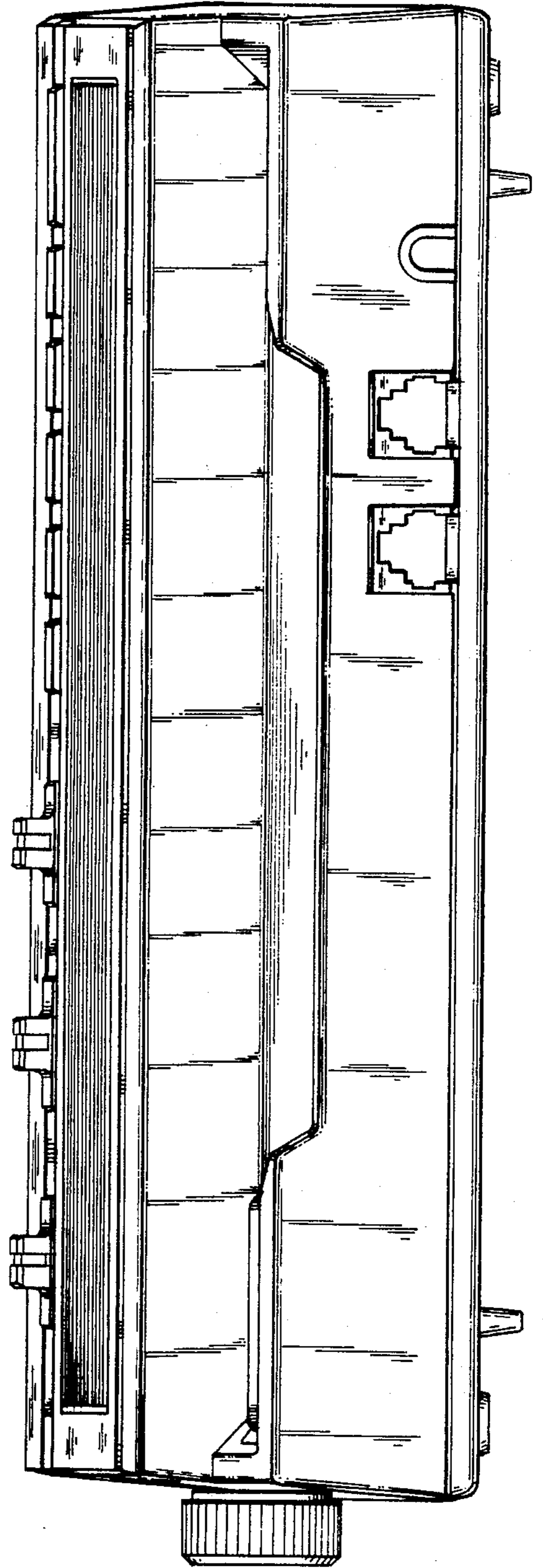


FIG. 5

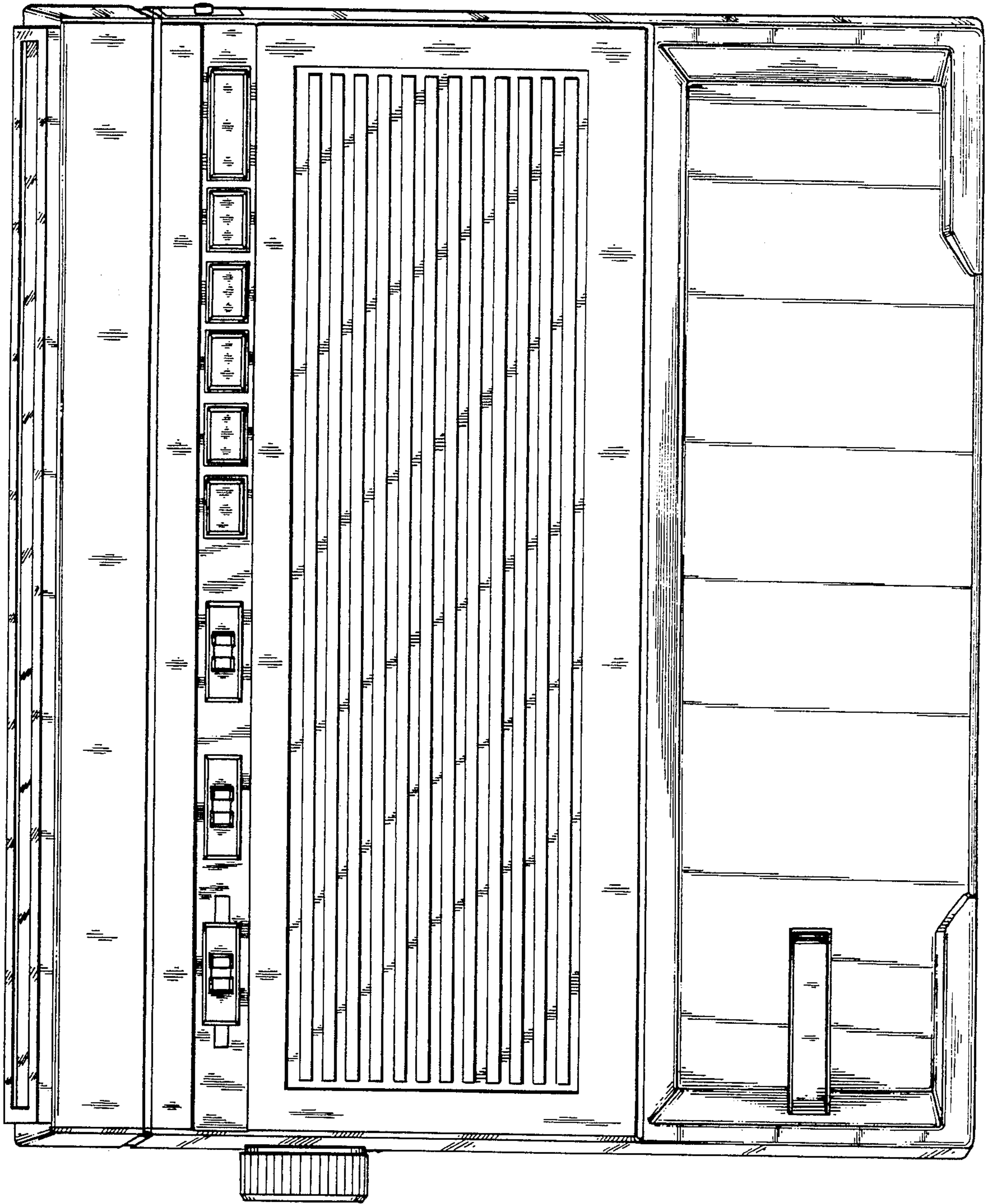


FIG. 6

