

[54] COMBINED TELEVISION AND RADIO RECEIVER AND TAPE RECORDER

D. 259,487 6/1981 Wada et al. D14/81 X
D. 260,988 9/1981 Takahashi et al. D14/81 X

[75] Inventors: Naoyuki Kato; Takahisa Yubisui; Masumi Kanari, all of Osaka, Japan

Primary Examiner—Jane E. Corrigan
Attorney, Agent, or Firm—Flehr, Hohbach, Test, Albritton & Herbert

[73] Assignee: Sharp Corporation, Osaka, Japan

[57] CLAIM

[**] Term: 14 Years

The ornamental design for a combined television and radio receiver and tape recorder, as shown and described.

[21] Appl. No.: 397,250

[22] Filed: Jul. 12, 1982

DESCRIPTION

[30] Foreign Application Priority Data

Dec. 29, 1981 [JP] Japan 56-57947

[52] U.S. Cl. D14/5; D14/6; D14/70; D14/72; D14/79; D14/81

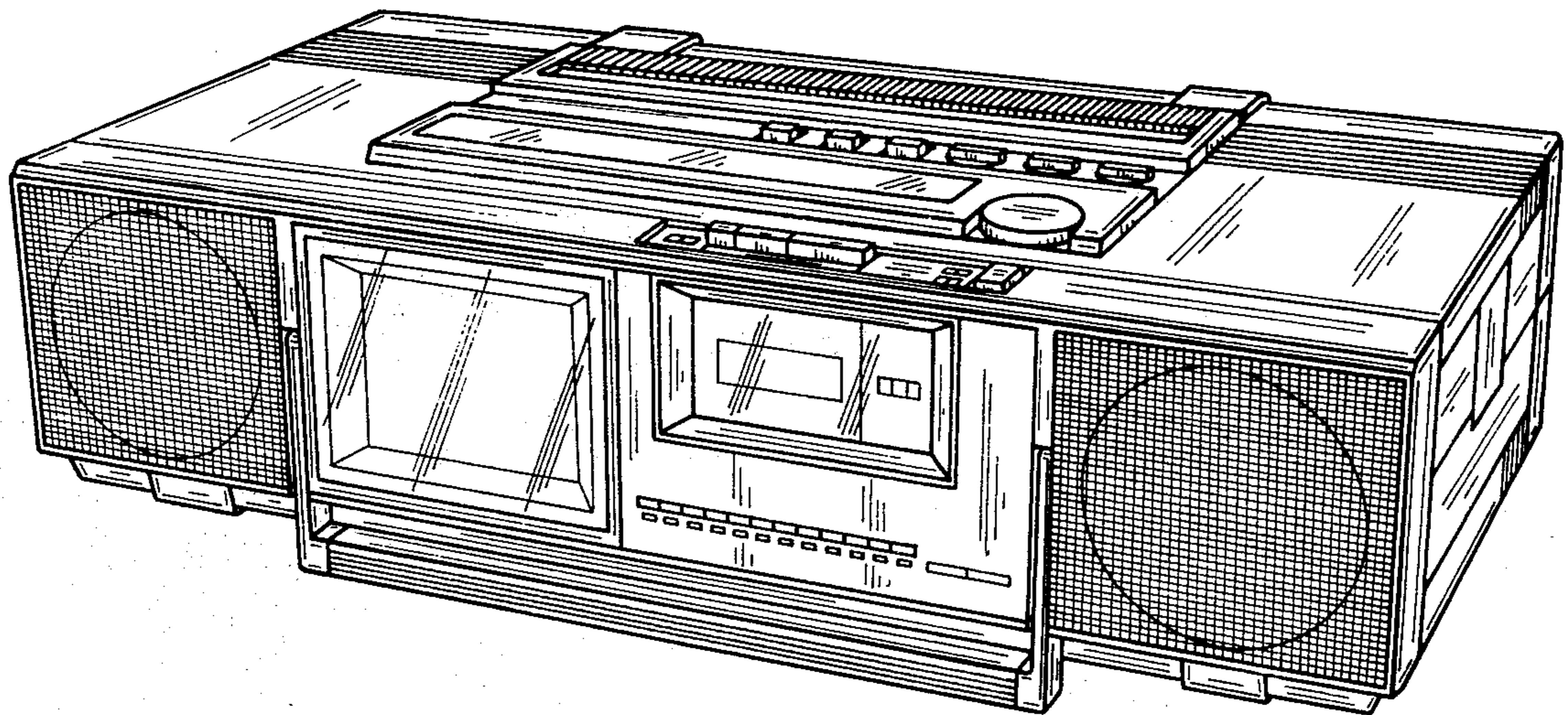
[58] Field of Search D14/1, 2, 5, 6, 68, D14/70-72, 79, 81

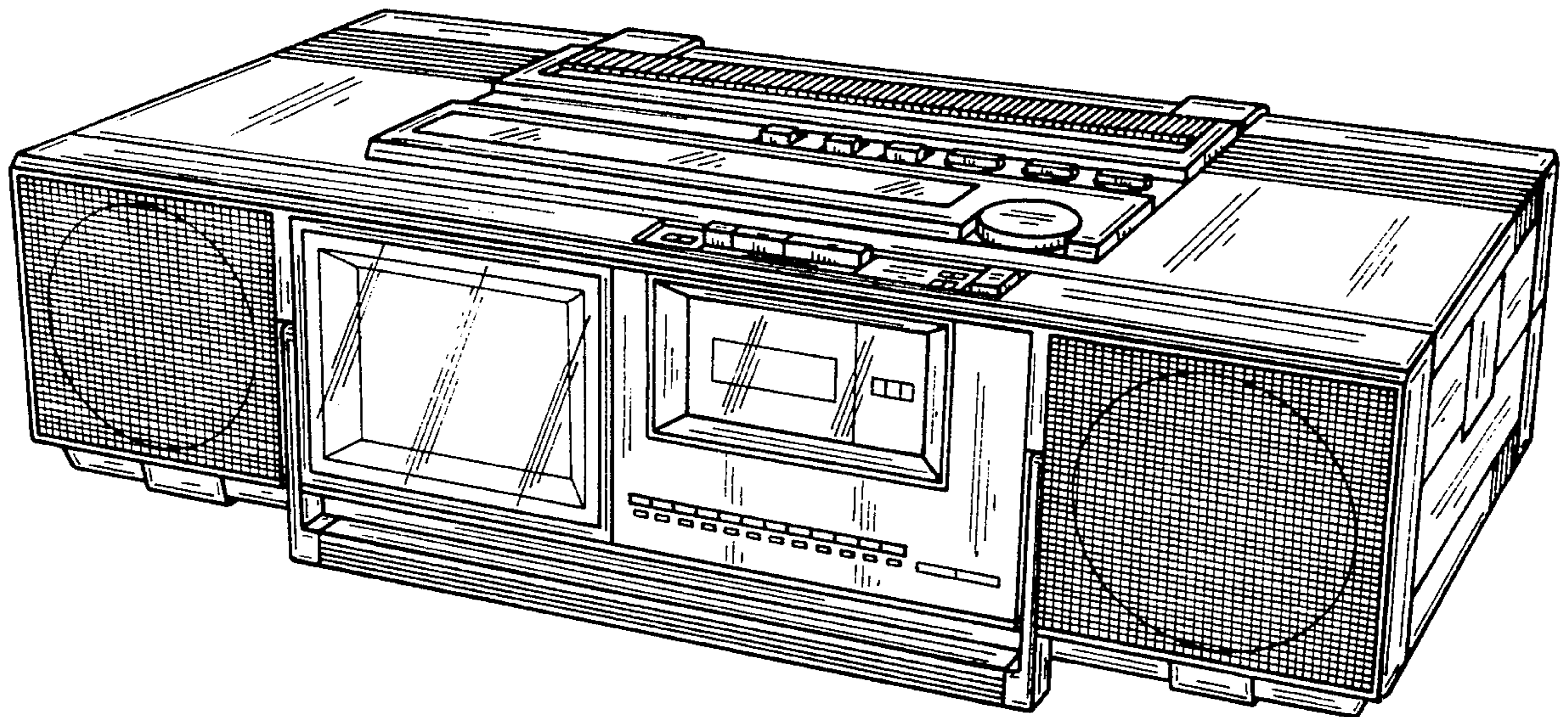
FIG. 1 is a front, top and right side perspective view of the combined television and radio receiver and tape recorder showing our new design;
FIG. 2 is a view like FIG. 1 with the tape recorder removed;
FIG. 3 is a top plan view thereof;
FIG. 4 is a front elevational view thereof;
FIG. 5 is a rear elevational view thereof;
FIG. 6 is a bottom plan view thereof;
FIG. 7 is a left side elevational view thereof; and
FIG. 8 is a right side elevational view thereof.

[56] References Cited

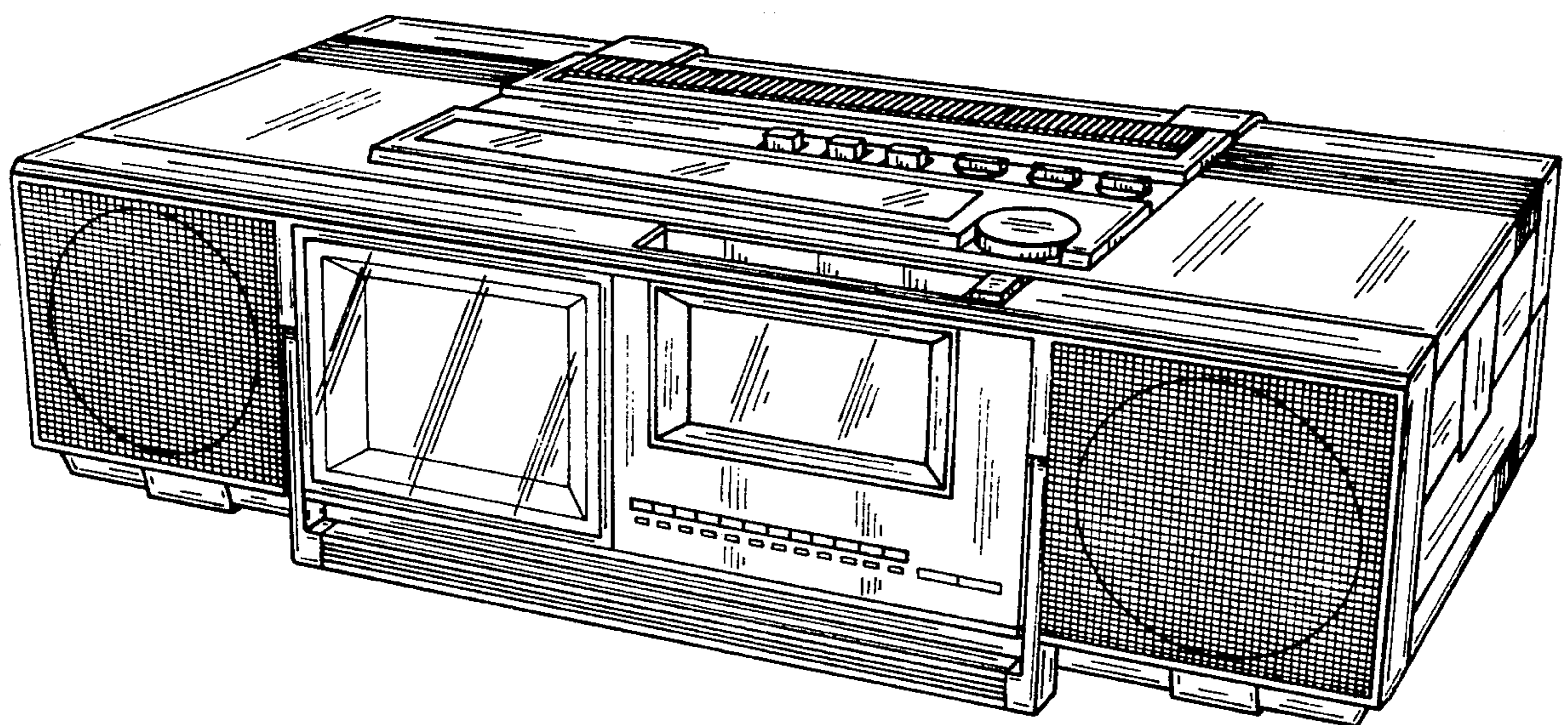
U.S. PATENT DOCUMENTS

D. 259,259 5/1981 Masatsugu et al. D14/70 X

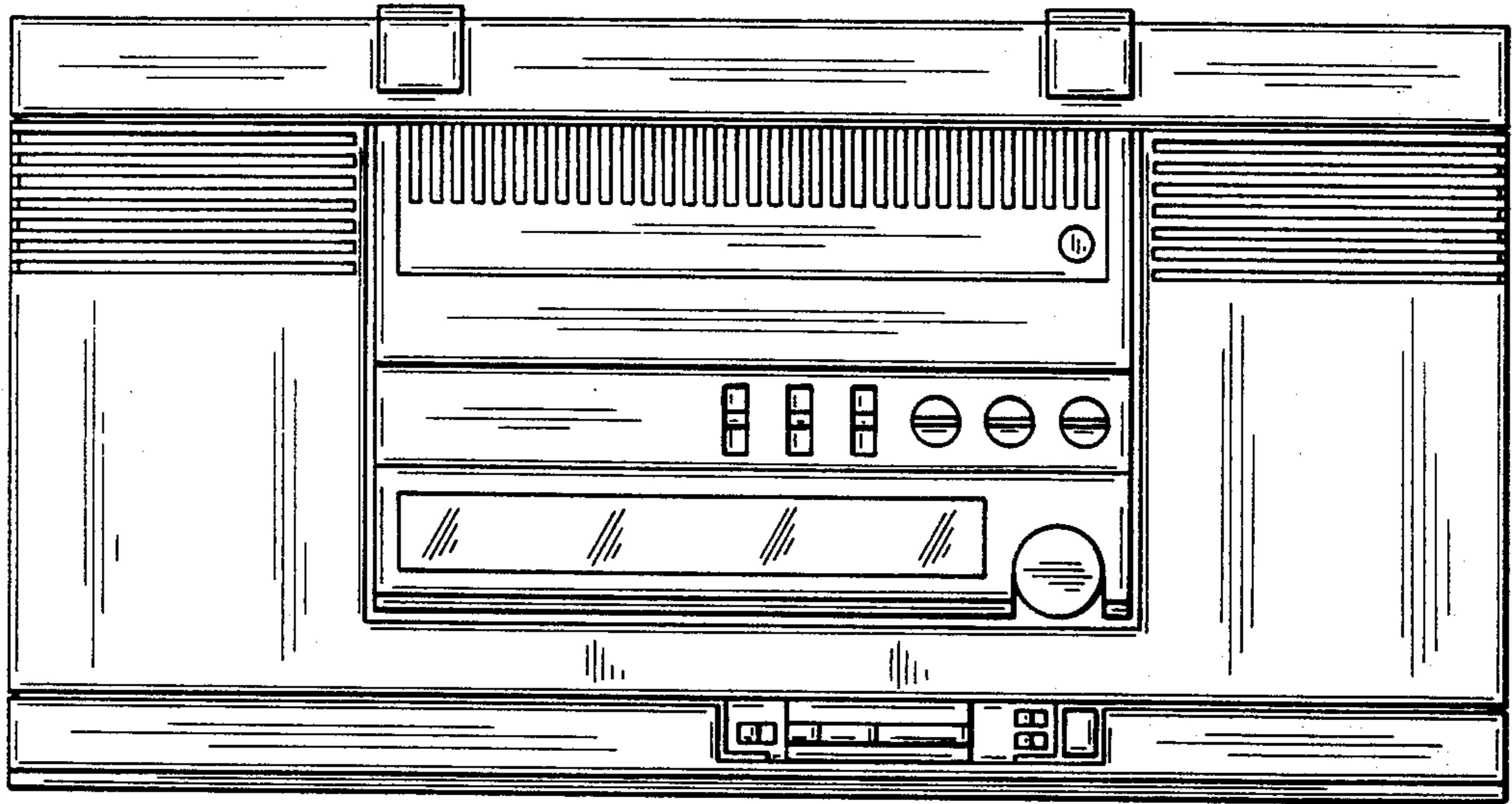




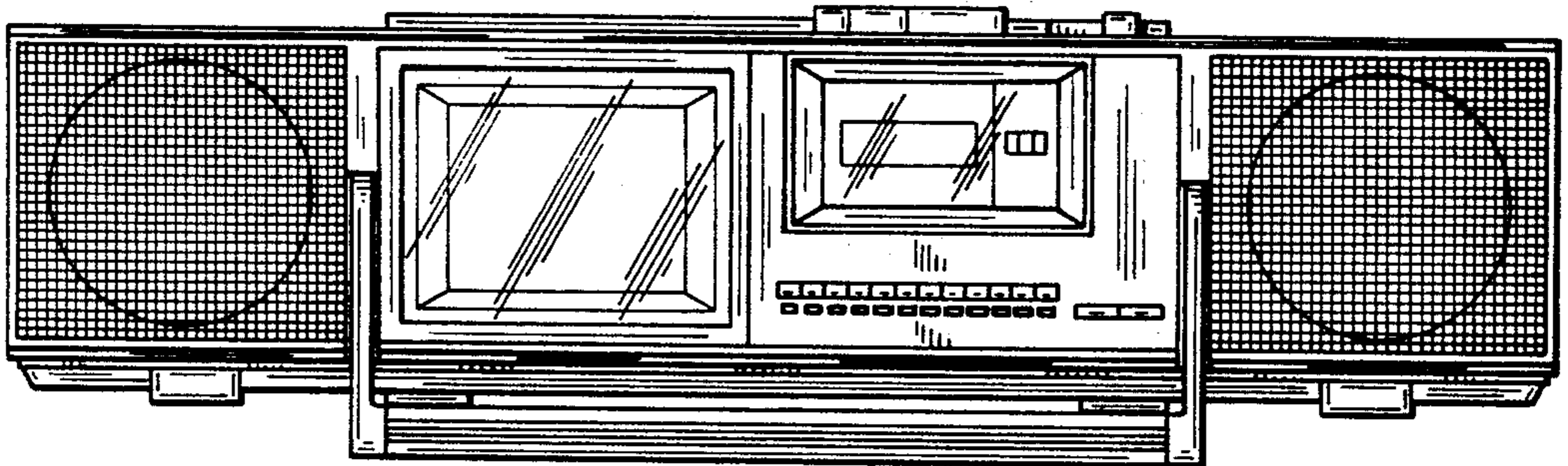
FIG_1



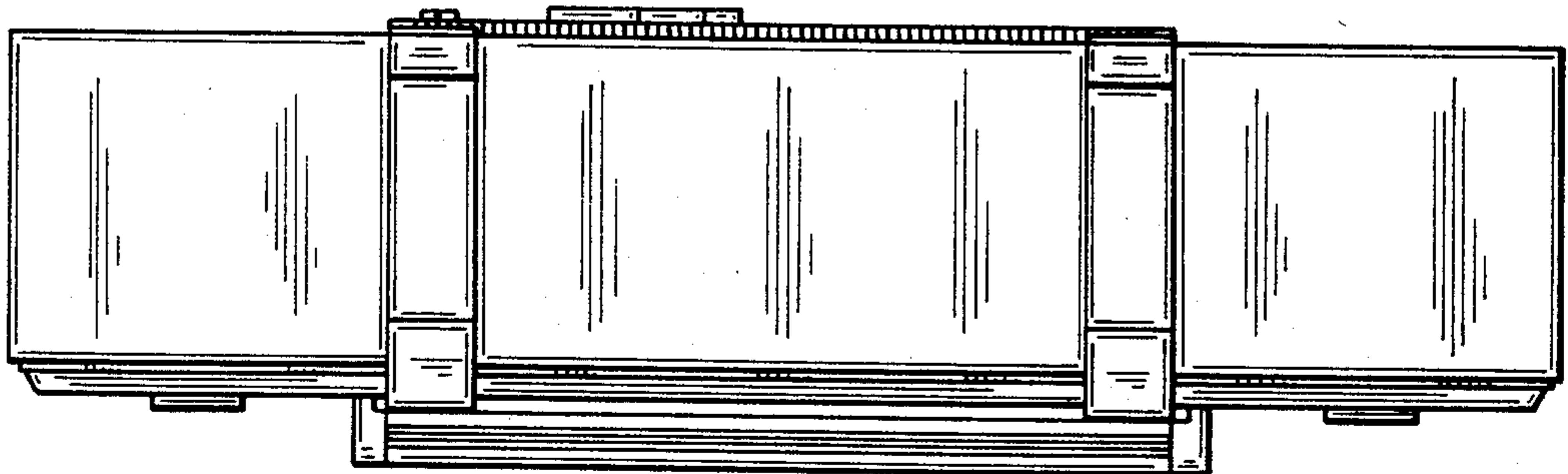
FIG_2



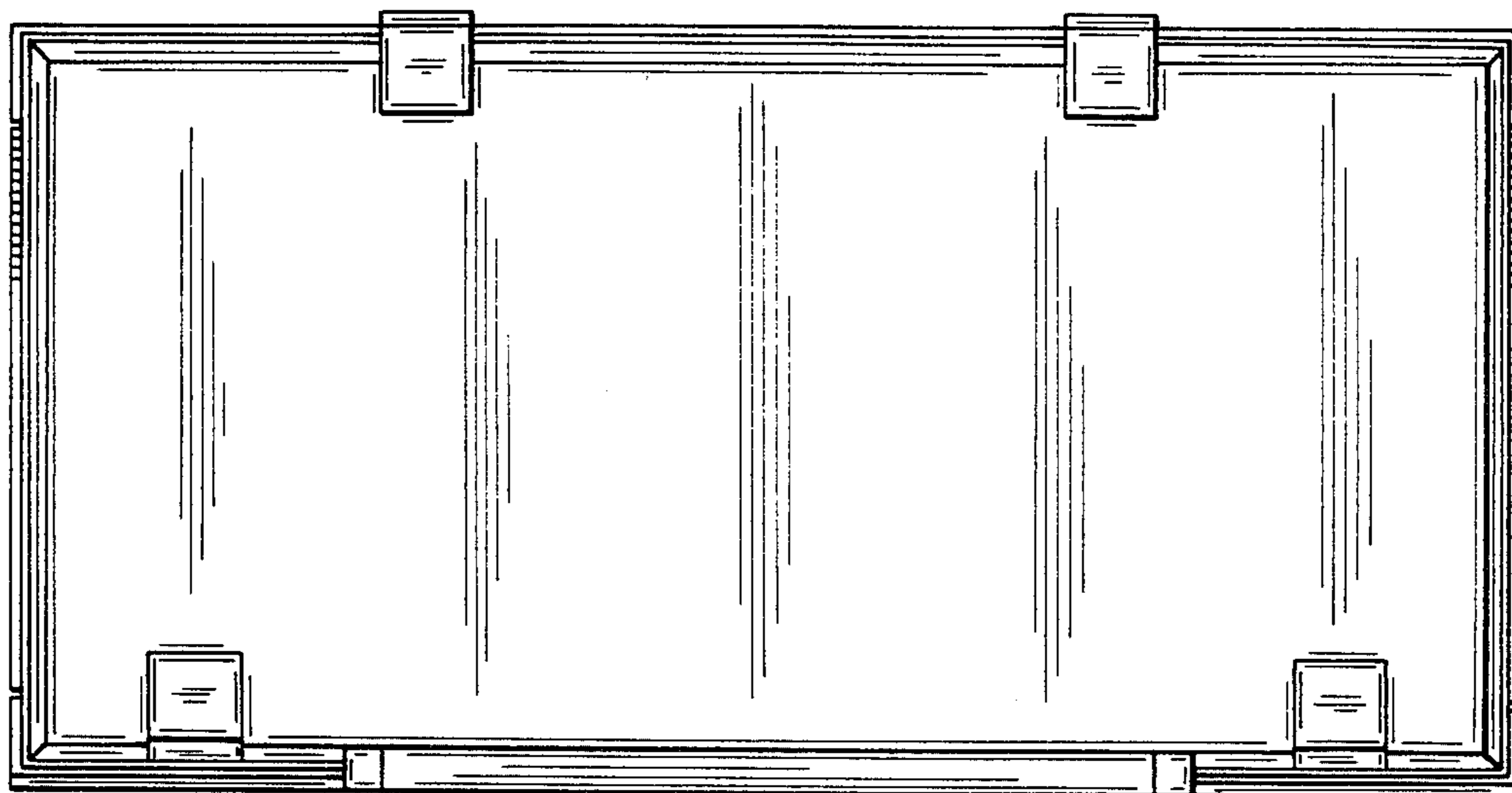
FIG_3



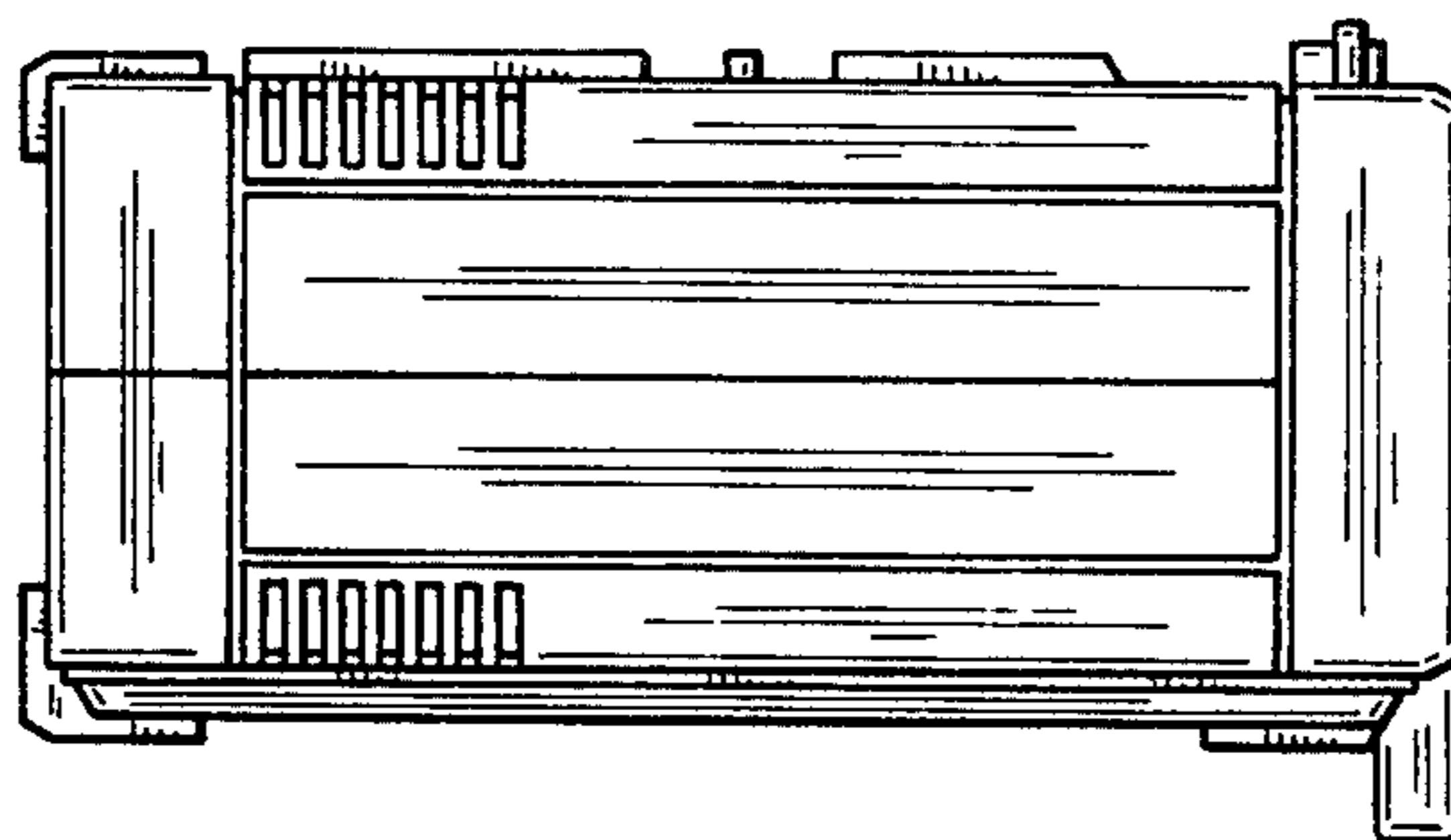
FIG_4



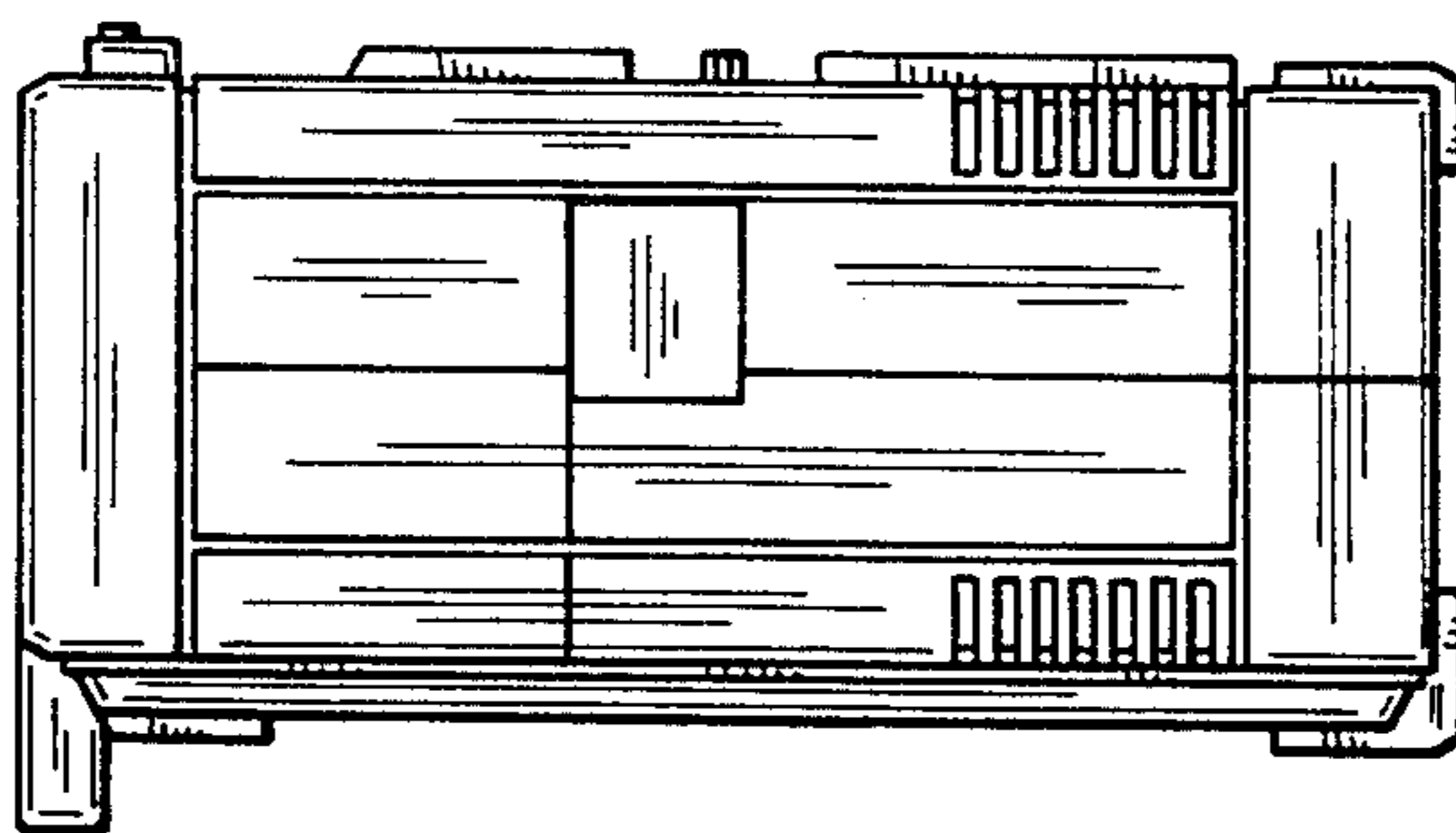
FIG_5



FIG_6



FIG_7



FIG_8