

[54] **CONTAINER FOR PLANTS**
[76] **Inventor: Jack V. Gray, 13791 Jackson St.,
Garden Grove, Calif. 92643**
[**] **Term: 14 Years**
[21] **Appl. No.: 467,777**
[22] **Filed: Feb. 18, 1983**
[52] **U.S. Cl. D11/152; D7/14**
[58] **Field of Search D11/143-156;
D7/2-6, 14; 47/66, 69, 71, 72, 78-83, 85-87, 41
R**

3,194,468 7/1965 Baron D7/6
3,288,340 11/1966 Shapiro et al. D7/6

FOREIGN PATENT DOCUMENTS

0014205 of 1887 United Kingdom 47/41
0904079 8/1962 United Kingdom 47/66

Primary Examiner—B. J. Bullock
Attorney, Agent, or Firm—Edgar W. Averill, Jr.

[57] **CLAIM**

The ornamental design for a container for plants, as shown.

[56] **References Cited**
U.S. PATENT DOCUMENTS

D. 47,721 8/1915 Haley D7/14
D. 237,643 11/1975 Christian D11/152
2,045,189 6/1936 Judd 47/66
2,330,878 10/1943 Foley 47/66

DESCRIPTION

FIG. 1 is a perspective view of a container for plants showing my new design;
FIG. 2 is a side view thereof;
FIG. 3 is a bottom view thereof;
FIG. 4 is a top view thereof.

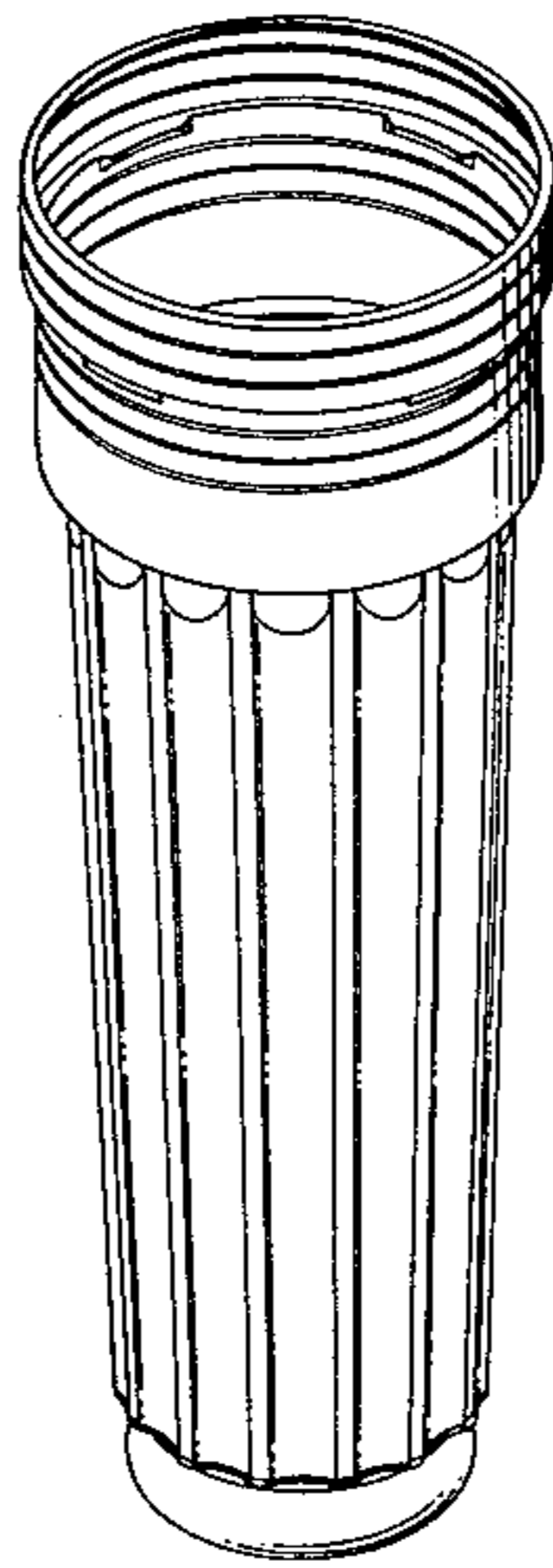


FIG. 1

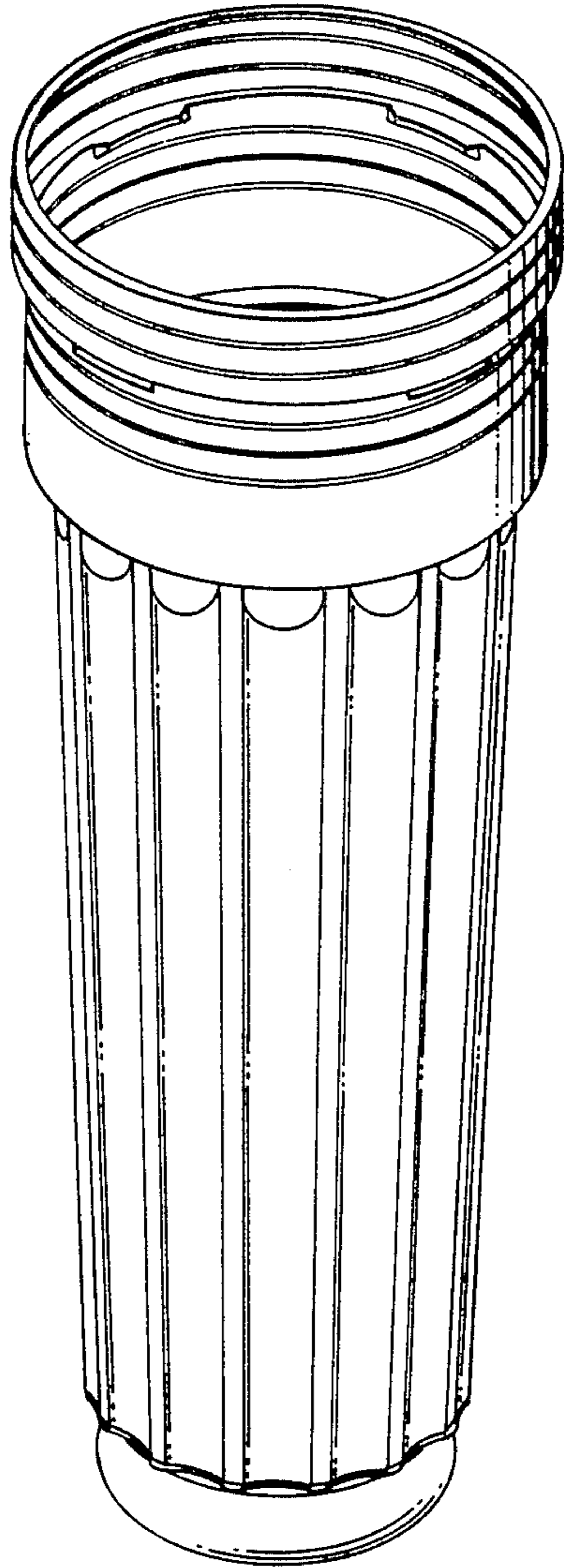


FIG. 2

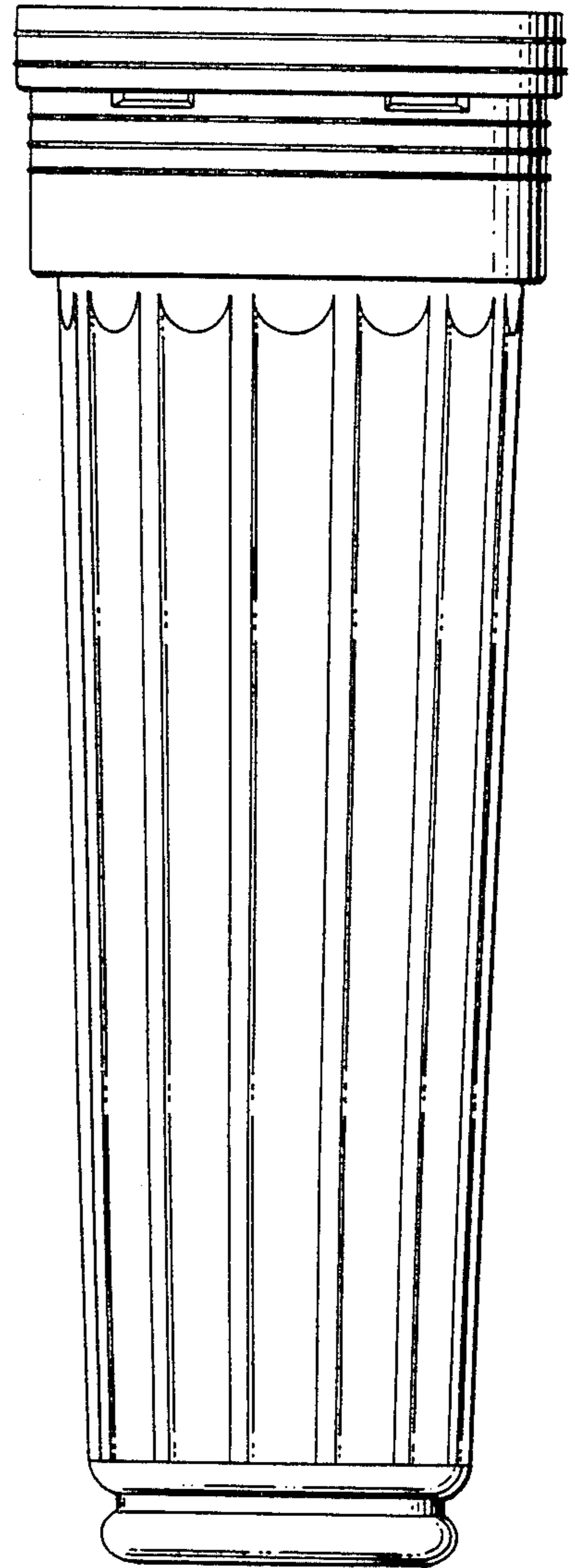


FIG. 3

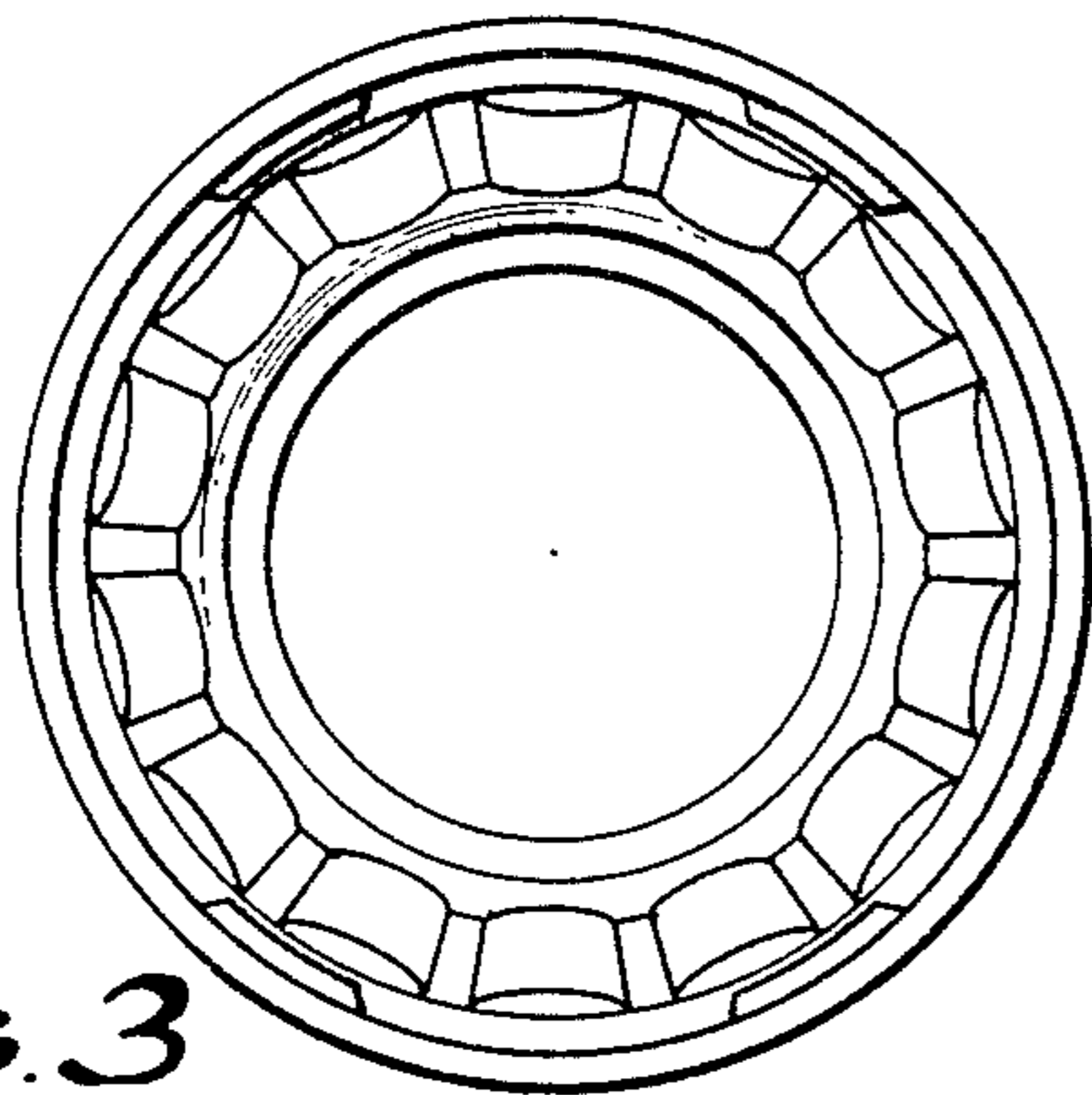


FIG. 4

