

United States Patent [19]

Franchi et al.

[11] Patent Number: Des. 279,078

[45] Date of Patent: ** Jun. 4, 1985

[54] OIL CONTAINER

[75] Inventors: Thomas A. Franchi, Cobham, England; Leslie B. Rogers, Red Bank, N.J.

[73] Assignee: Mobil Oil Corporation, New York, N.Y.

[**] Term: 14 Years

[21] Appl. No.: 455,359

[22] Filed: Jan. 3, 1983

[52] U.S. Cl. D9/376; D9/378

[58] Field of Search D9/374, 376, 378, 381, D9/383; 215/1 R, 1 C

[56] **References Cited**

U.S. PATENT DOCUMENTS

D. 226,901 5/1973 Galer D9/376

D. 228,230 8/1973 Cutler D9/376
D. 229,483 12/1973 Cutler D9/376
D. 272,318 1/1984 Visser D9/376 X

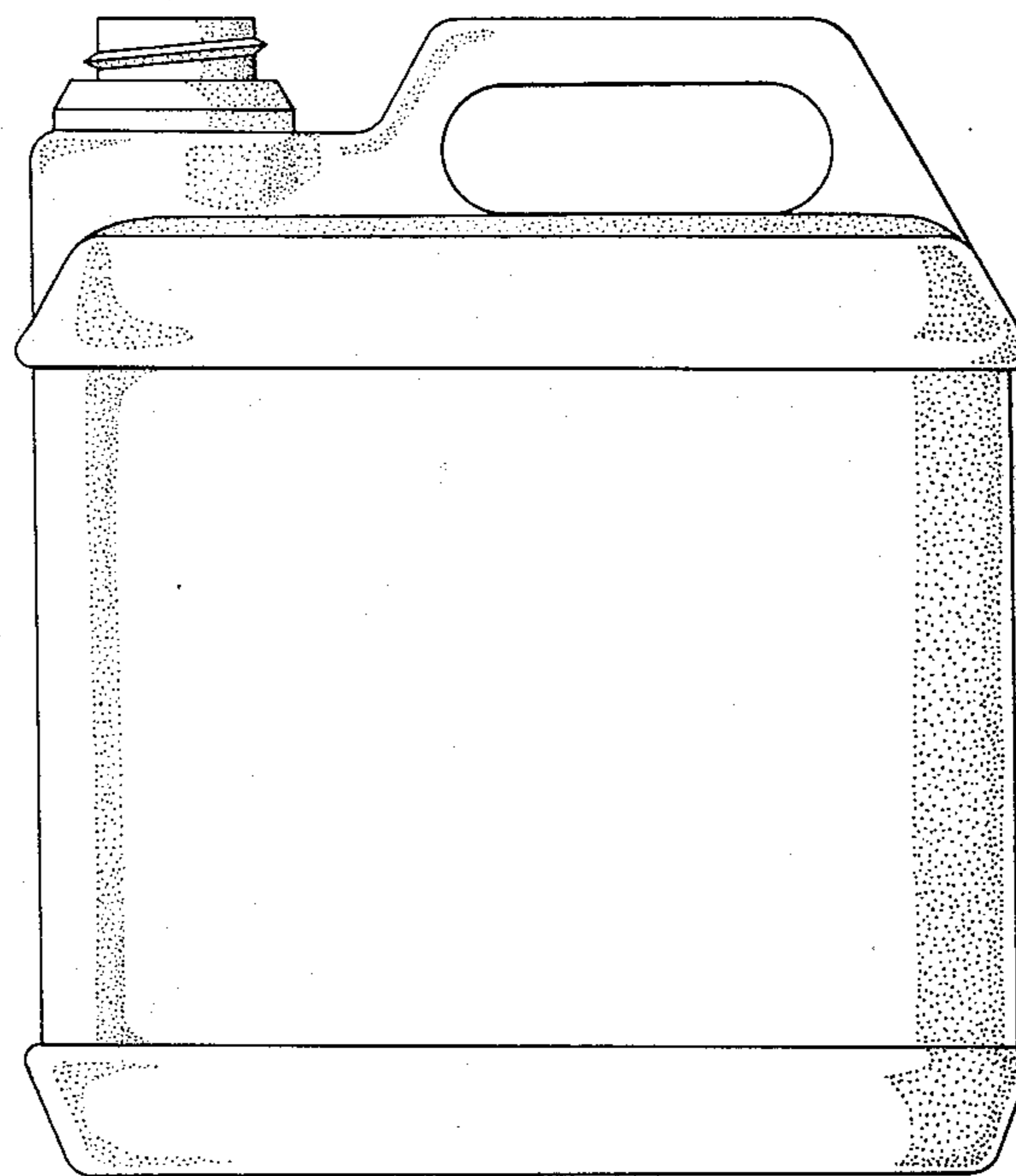
Primary Examiner—Robert C. Spangler
Attorney, Agent, or Firm—Alexander J. McKillop;
Michael G. Gilman; Charles A. Malone

[57] **CLAIM**

The ornamental design for an oil container, as shown and described.

DESCRIPTION

FIG. 1 is an elevational view of an oil container showing our new design;
FIG. 2 is a bottom plan view;
FIG. 3 is an elevational view looking from the right of FIG. 1;
FIG. 4 is a top plan view; and
FIG. 5 is a view looking from the left of FIG. 1.



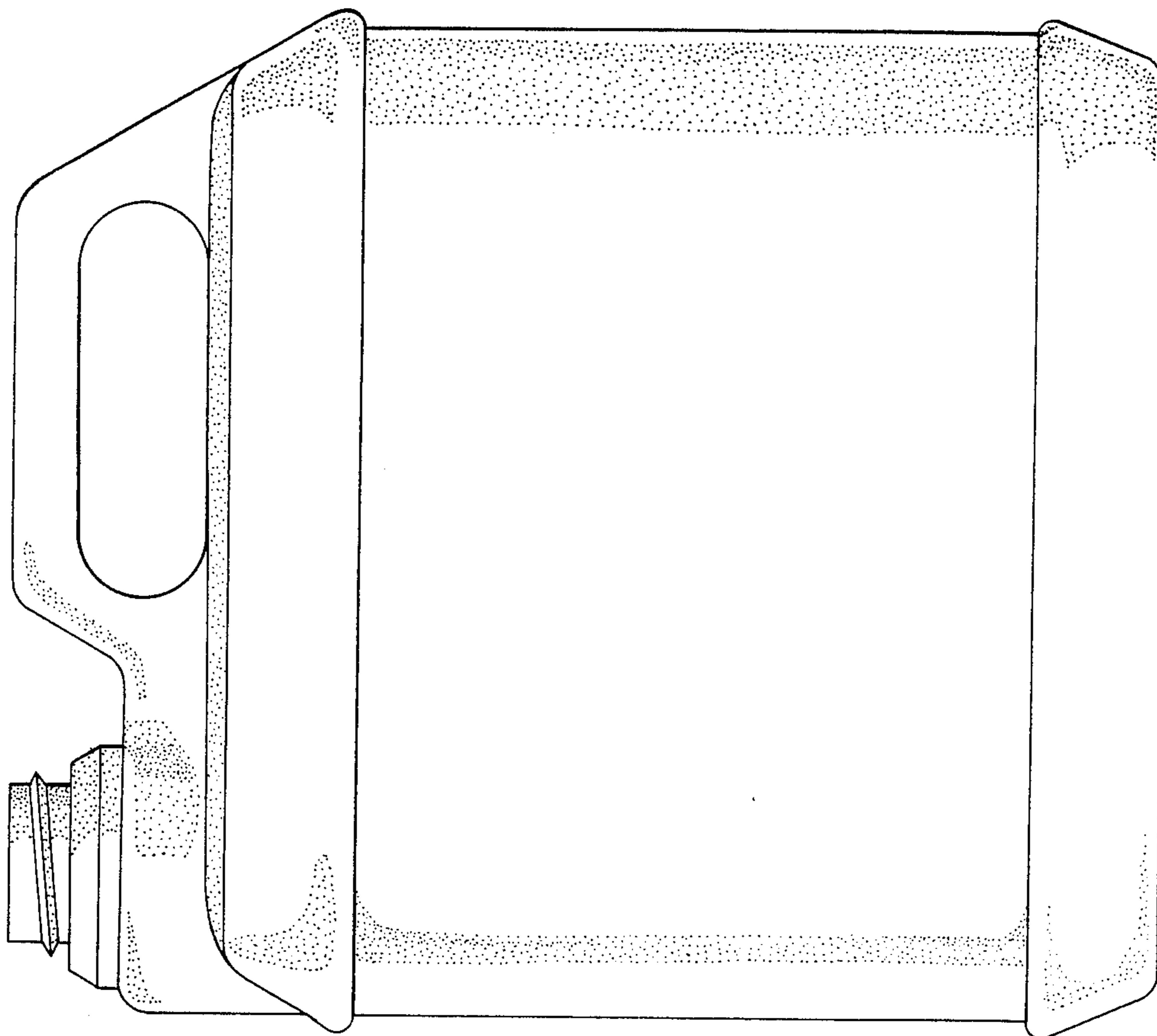


FIG. 1

FIG. 3

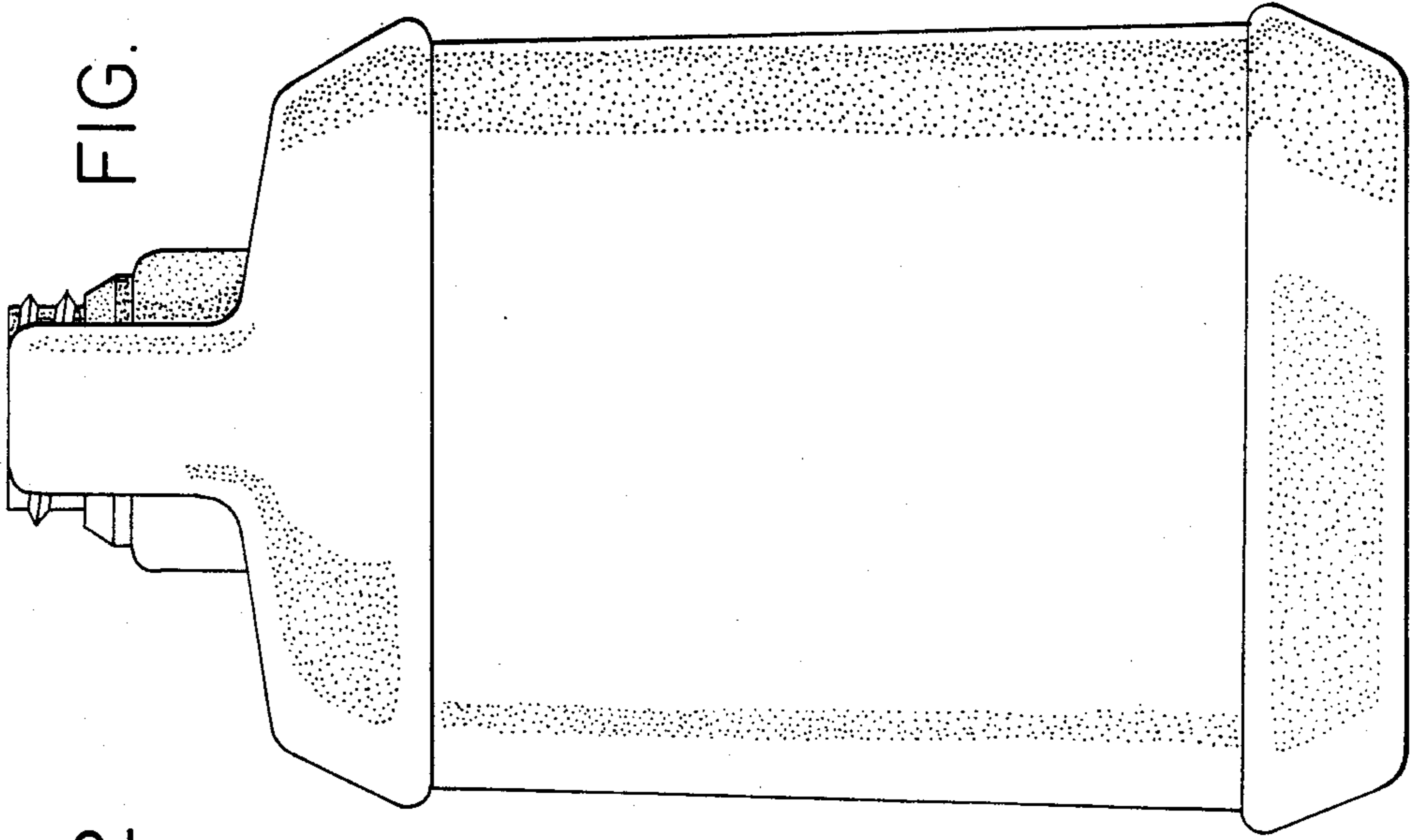
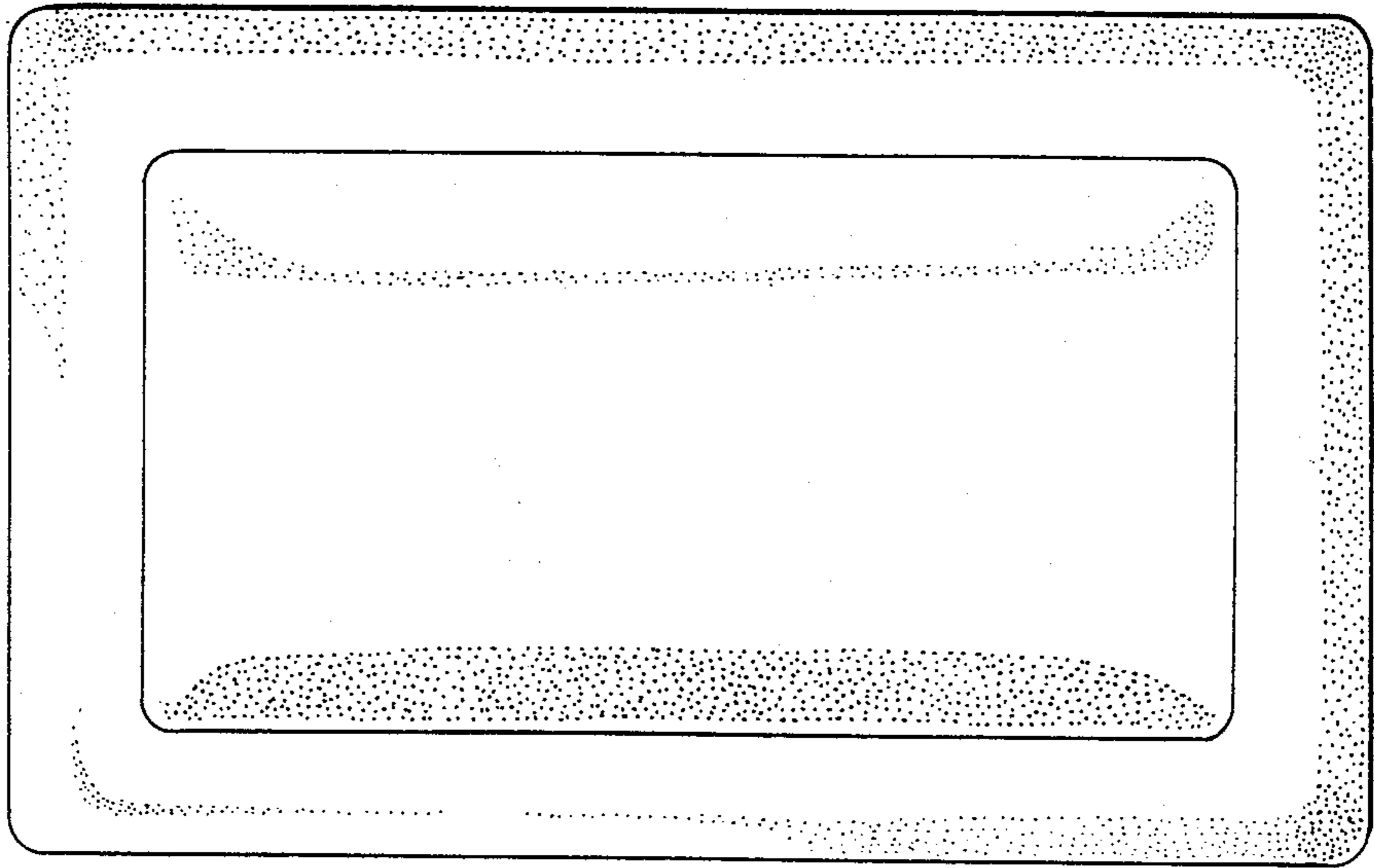


FIG. 2



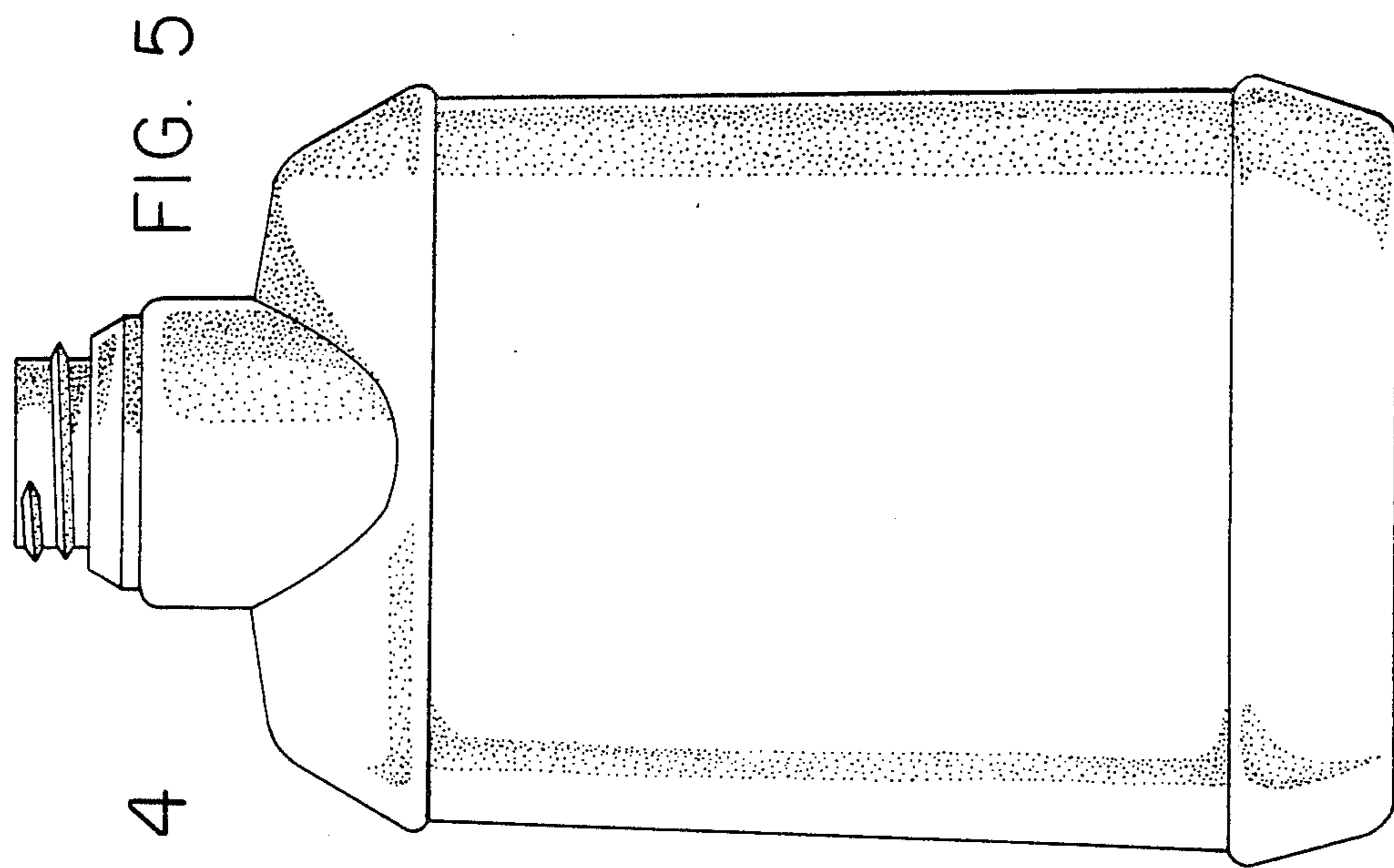


FIG. 5

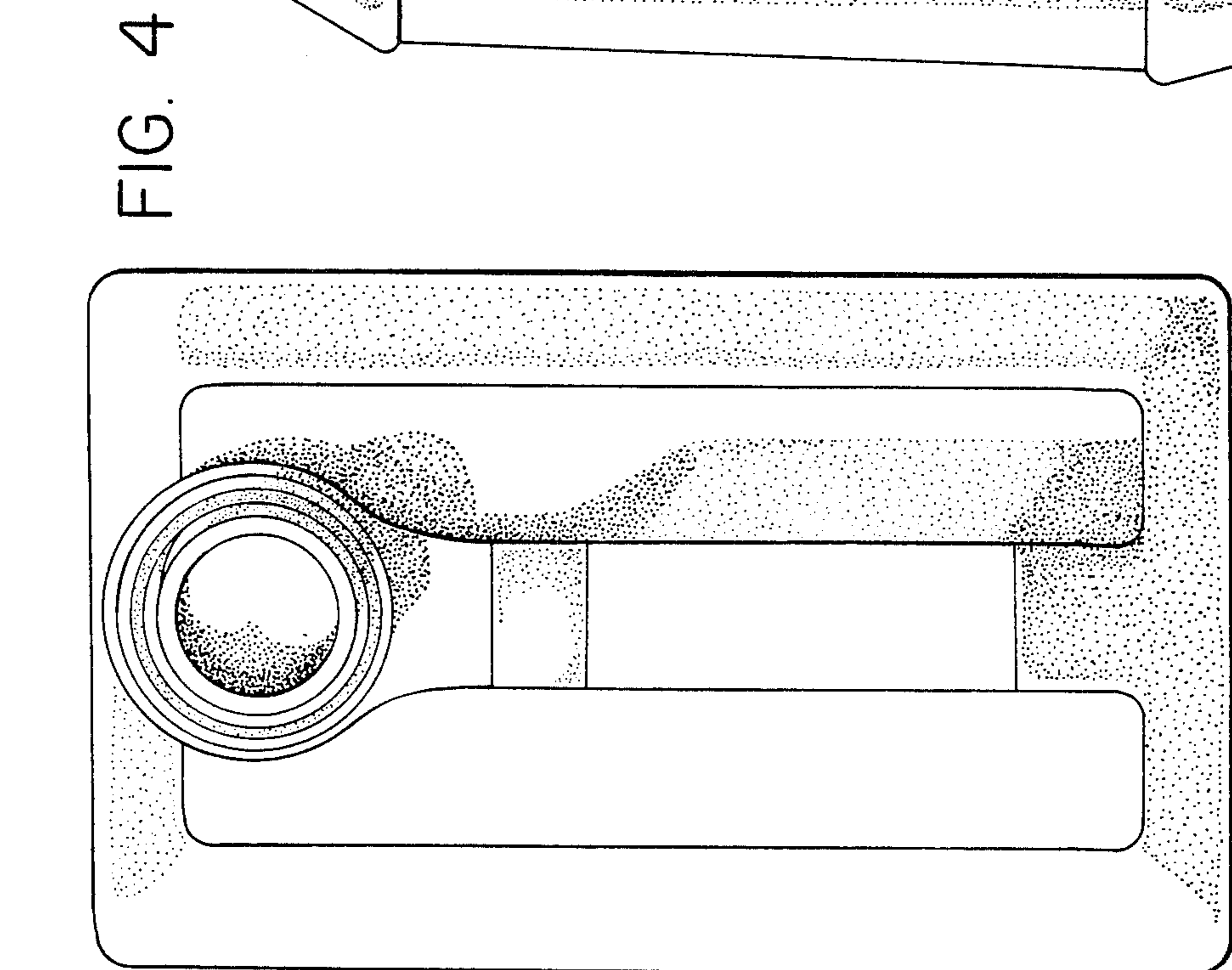


FIG. 4