

[54] HAND HELD ADHESIVE GUN

[75] Inventors: R. Blakeley Honeyman, Carmel; Thomas D. Taggart, Pacific Grove; Robert E. Taggart, Carmel, all of Calif.

[73] Assignee: Lockwood Technical, Inc., Monterey, Calif.

[\*\*] Term: 14 Years

[21] Appl. No.: 381,323

[22] Filed: May 24, 1982

[52] U.S. Cl. .... D8/14.1; D8/30; D8/68

[58] Field of Search ..... D8/14, 14.1, 30, 68; 222/146 HE

[56] References Cited

U.S. PATENT DOCUMENTS

- D. 117,504 11/1939 Smith ..... D8/30
- D. 245,474 8/1977 Scholl ..... D8/30
- D. 255,766 7/1980 Wieland, Jr. .... D8/30
- D. 255,767 7/1980 Ettinger ..... D8/68 X

- 3,971,492 7/1976 Lockwood ..... 222/146 HE
- 4,006,845 2/1977 Scholl et al. .... 222/146 HE
- 4,099,653 7/1978 Scholl et al. .... 222/146 HE
- 4,245,759 1/1981 Baker et al. .... 222/146 HE

Primary Examiner—Susan J. Lucas  
Assistant Examiner—Clare E. Heflin  
Attorney, Agent, or Firm—Thomas H. Olson

[57] CLAIM

The ornamental design for a hand held adhesive gun, as shown and described.

DESCRIPTION

FIG. 1 is a front view of a hand held adhesive gun showing our new design, the rear view being a mirror image thereof.

FIG. 2 is a top view thereof.

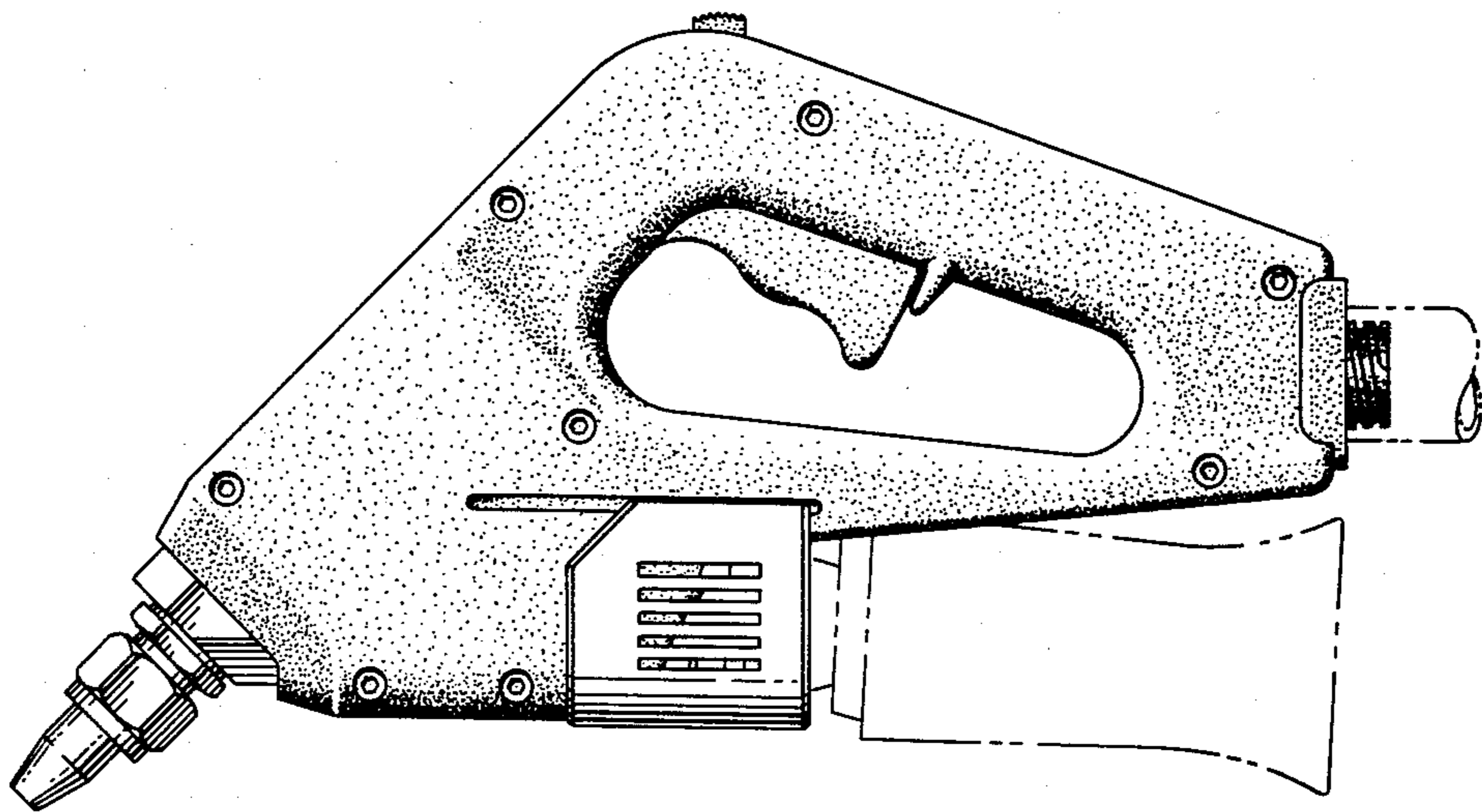
FIG. 3 is a bottom view thereof.

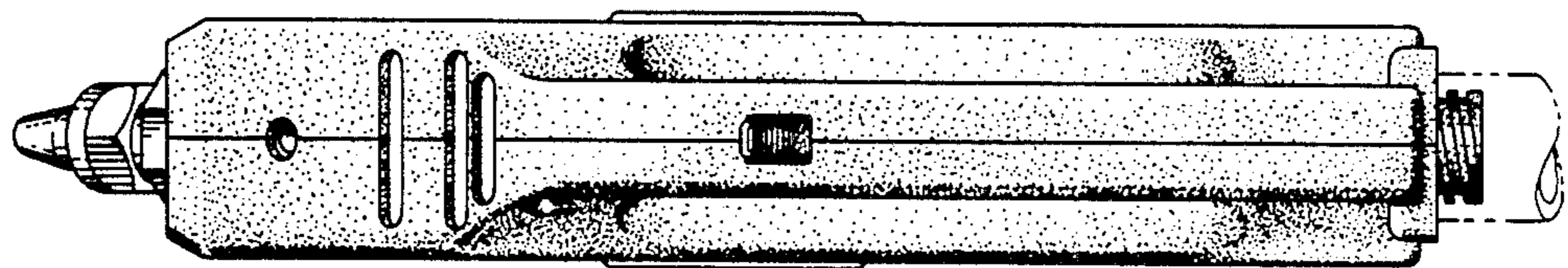
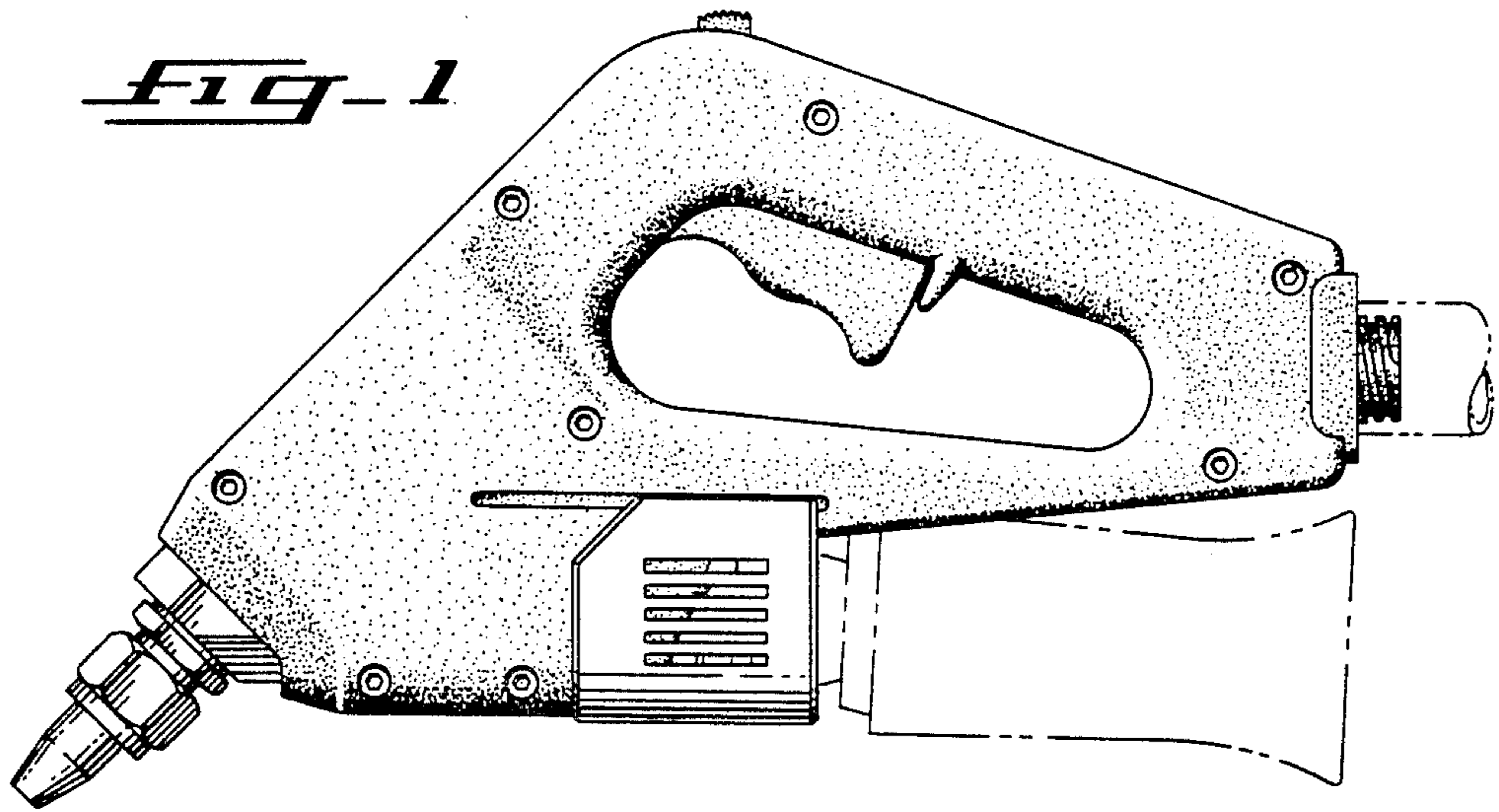
FIG. 4 is a left side view thereof.

FIG. 5 is a right side view thereof.

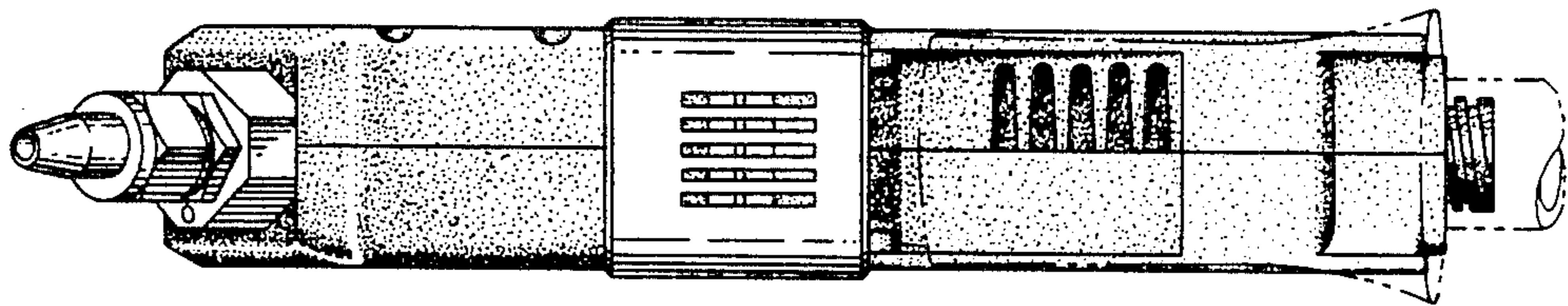
FIG. 6 is a perspective view taken from the bottom right side thereof, shown on an enlarged scale.

The broken lines are shown for illustrative purposes only.

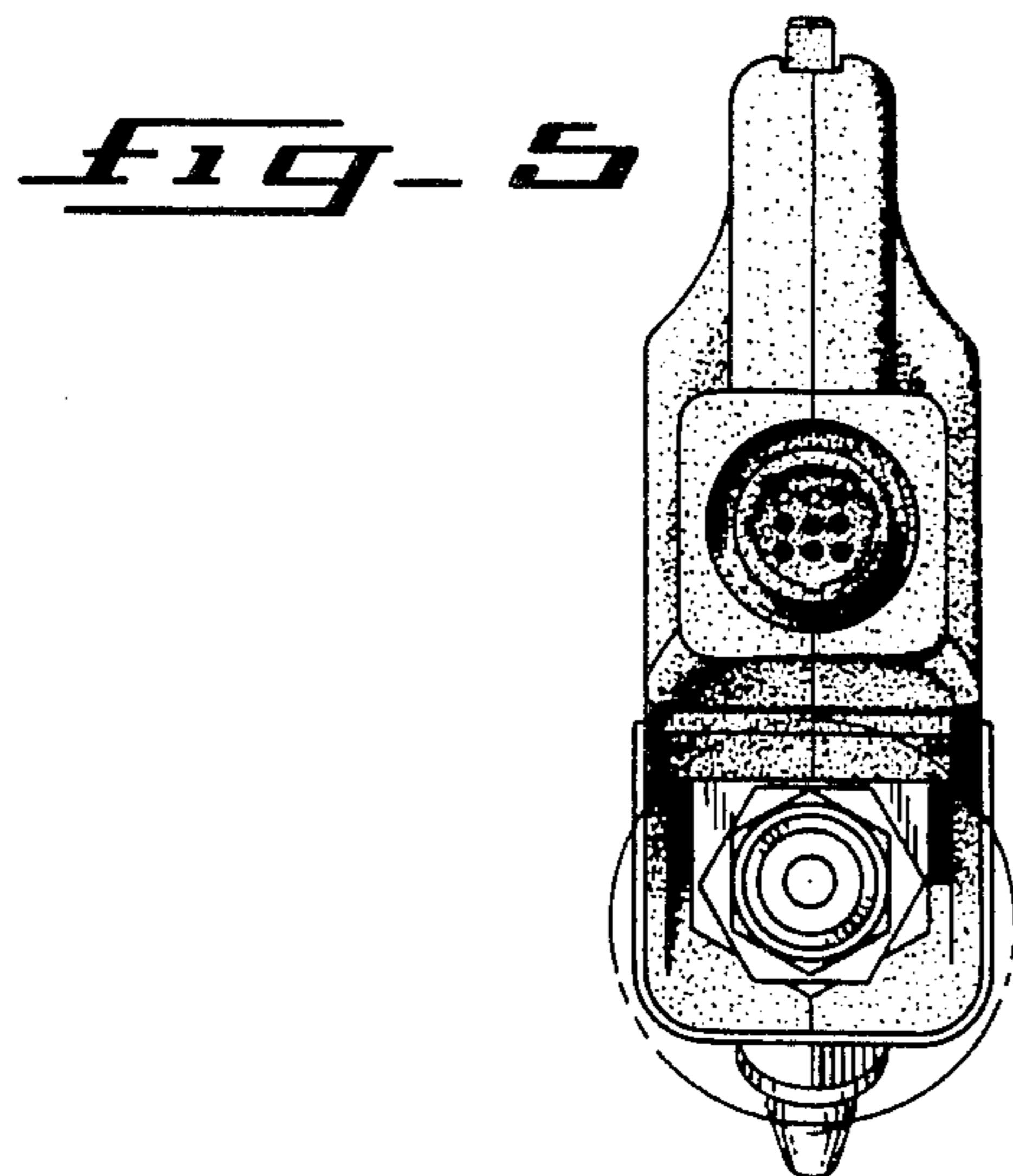
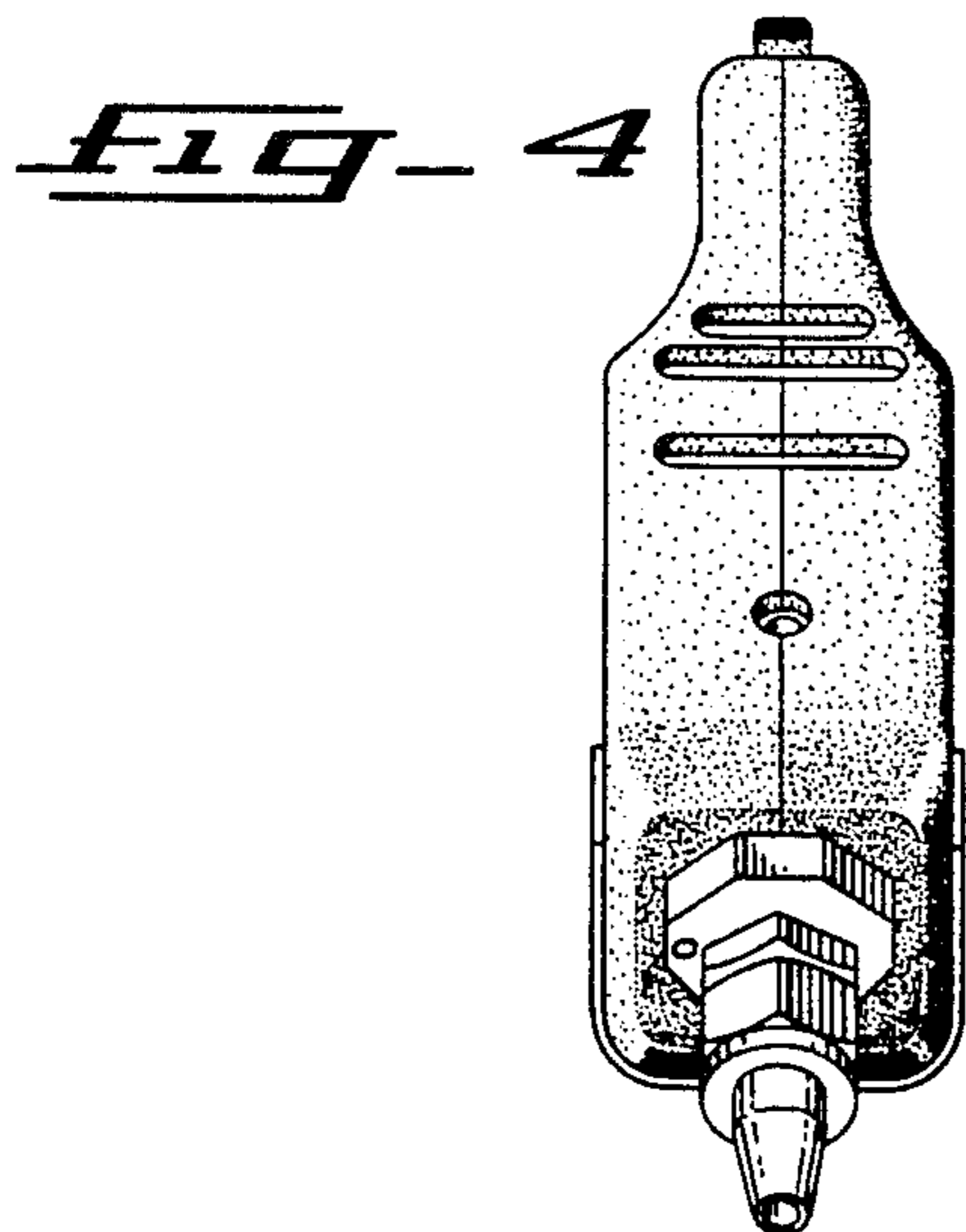




*Fig-2*



*Fig-3*



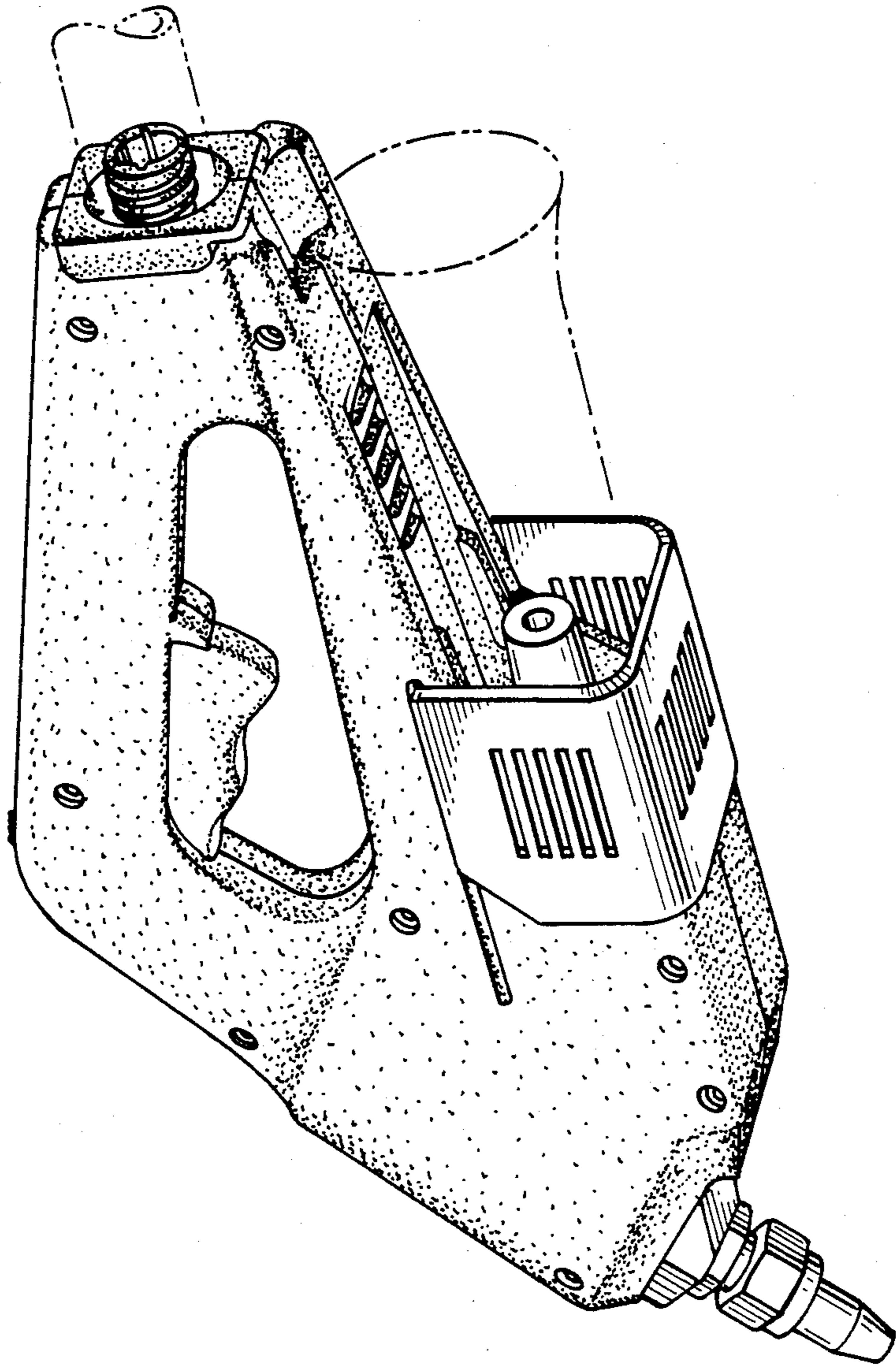


FIG. 6