

United States Patent [19]

Simpson et al.

[11] Patent Number: **Des. 279,073**

[45] Date of Patent: **** Jun. 4, 1985**

[54] **STOVE GUARD**

[76] Inventors: **Nicholas R. Simpson**, 100 Sunvalley Drive S.E., Calgary, Alberta, Canada, T2X 1W3; **Ronald U. Rempe**, 3307 Barrett Place N.W., Calgary, Alberta, Canada, T2L 1W5

[**] Term: **14 Years**

[21] Appl. No.: **546,351**

[22] Filed: **Oct. 28, 1983**

[30] **Foreign Application Priority Data**

Apr. 28, 1983 [CA] Canada 28034831
[52] U.S. Cl. **D7/402; D23/137; D23/138.3**

[58] **Field of Search** 126/42, 35, 214 D, 214 R, 126/201, 202, 211, 24; D23/127, 137, 138, 138.3; D7/323, 339-341, 346-350, 387, 402, 406

[56] **References Cited**

U.S. PATENT DOCUMENTS

2,699,162 1/1955 Nazzaro 126/24 X

2,771,873 11/1956 Baker, Jr. 126/24
2,772,414 11/1956 Baker, Jr. 126/24 X
3,513,826 5/1970 Hellmuth 126/42 X
3,898,975 8/1975 Kemp 126/42
4,155,343 5/1979 Hartman 126/211
4,157,705 6/1979 Caan 126/211

FOREIGN PATENT DOCUMENTS

859060 12/1952 Fed. Rep. of Germany 126/24
1139956 11/1962 Fed. Rep. of Germany 126/211
667980 3/1952 United Kingdom 126/24
798376 7/1958 United Kingdom 126/24
872435 7/1961 United Kingdom 126/211
2113826 8/1983 United Kingdom 126/202

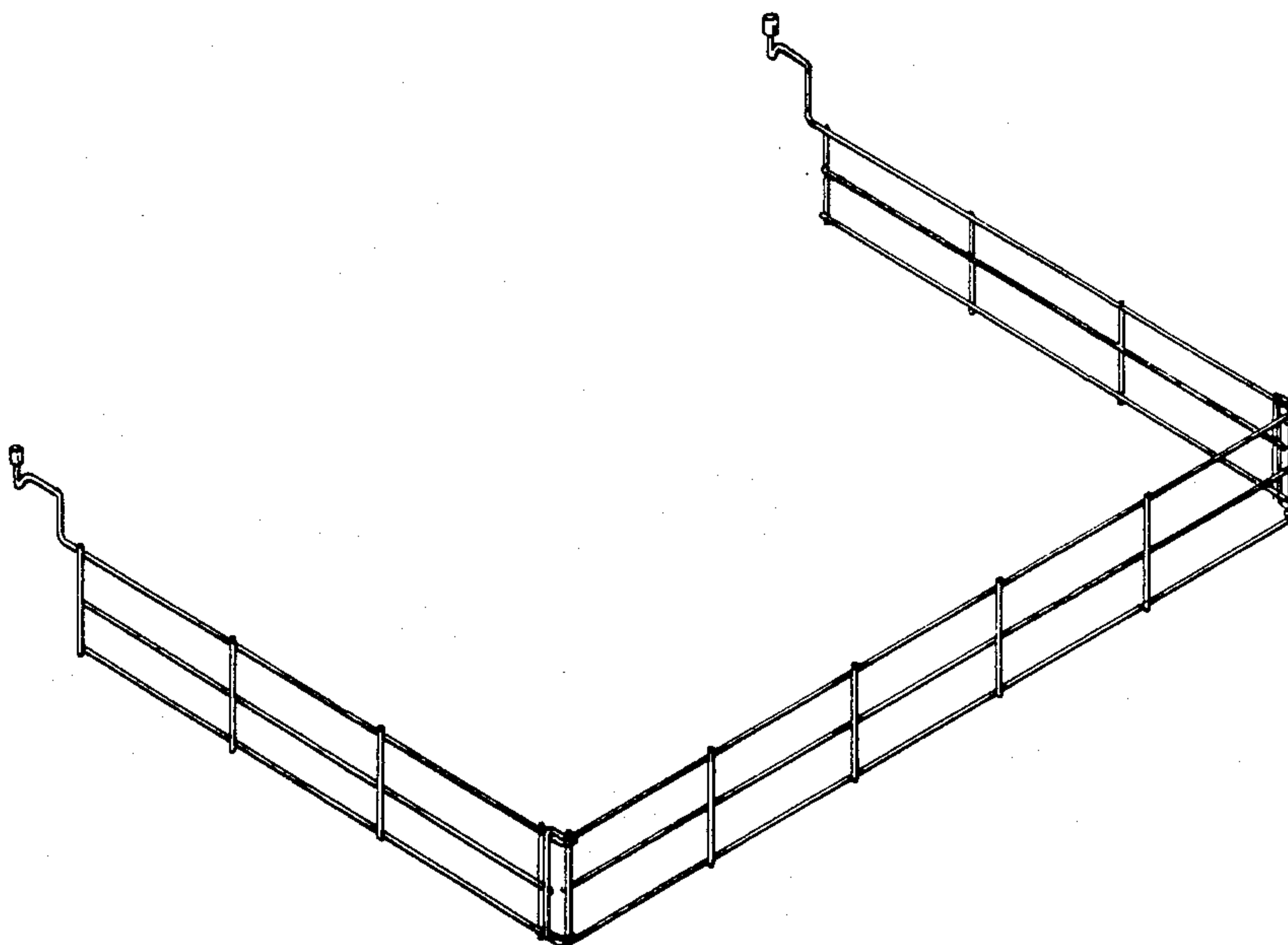
Primary Examiner—Catherine E. Kemper

[57] **CLAIM**

The ornamental design for a stove guard, as shown and described.

DESCRIPTION

FIG. 1 is a perspective view of a stove guard, showing our new design;
FIG. 2 is a top plan view thereof.



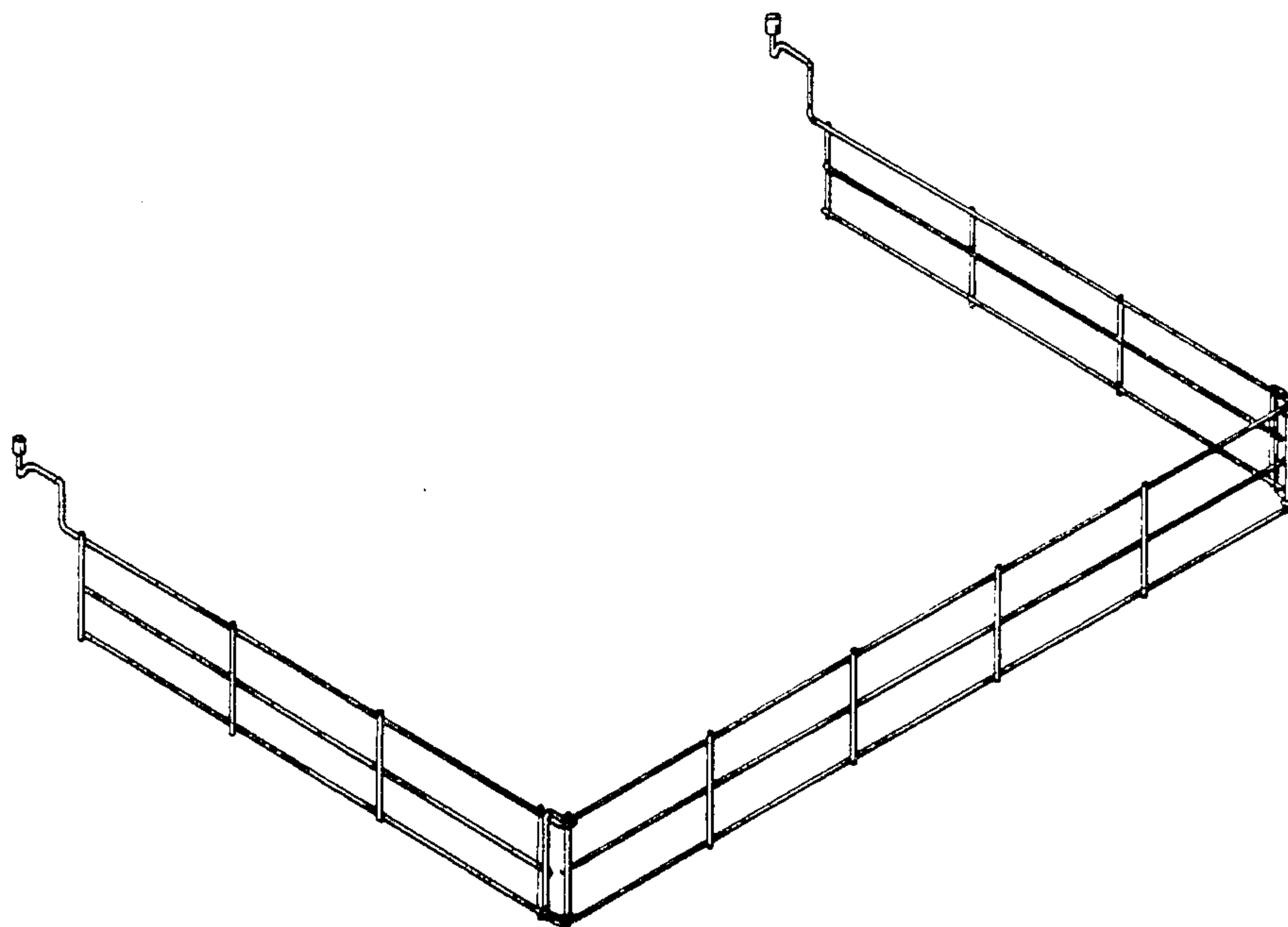


FIG. 1

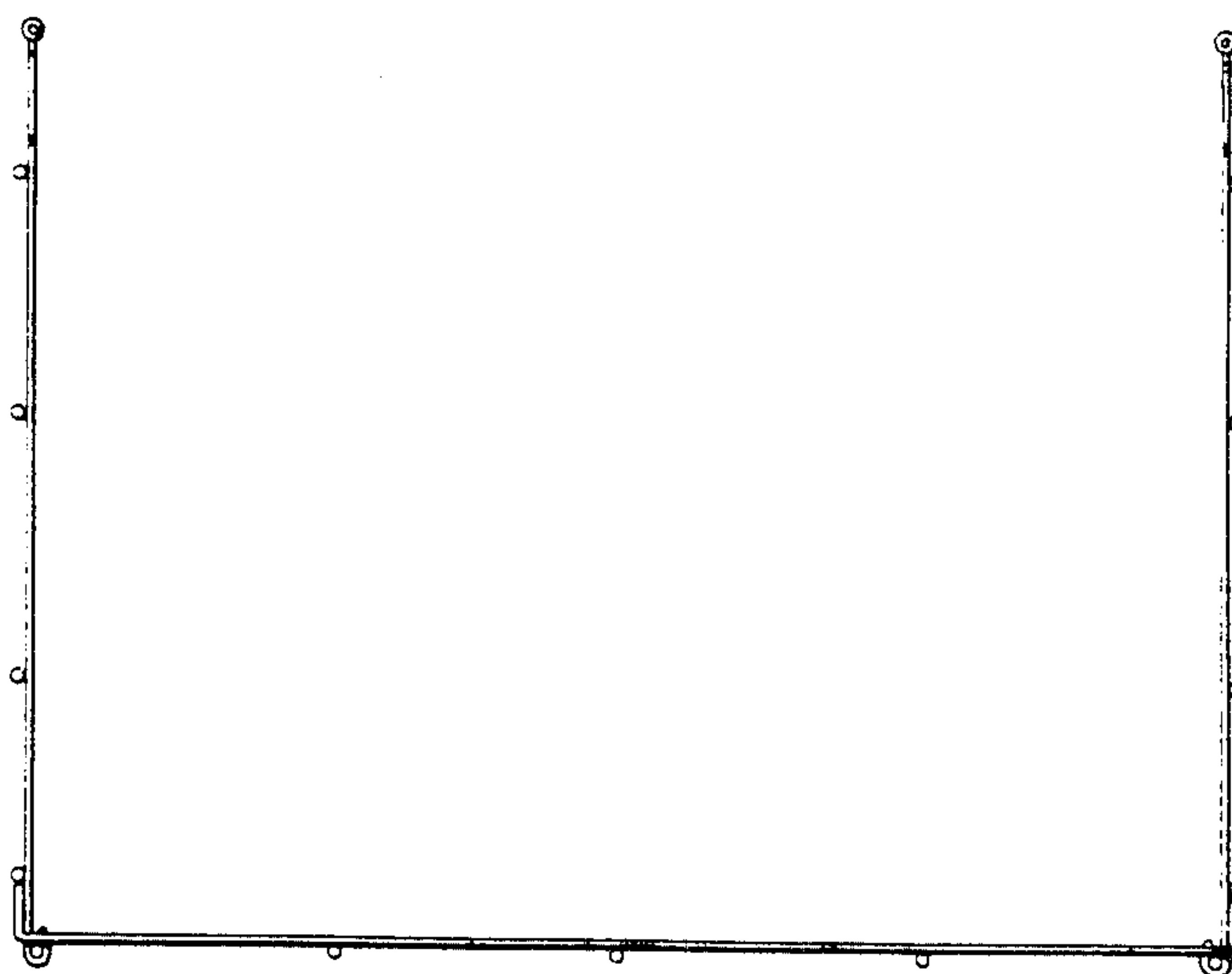


FIG. 2