

[54] KITCHEN MACHINE BASE UNIT

[75] Inventor: Marten F. Elkerbout, Pieze, Netherlands

[73] Assignee: U.S. Philips Corporation, New York, N.Y.

[**] Term: 14 Years

[21] Appl. No.: 456,946

[22] Filed: Jan. 10, 1983

[30] Foreign Application Priority Data

Jul. 13, 1982 [XB] Benelux 57015-01

Jul. 13, 1982 [XB] Benelux 57015-02

[52] U.S. Cl. D7/386

[58] Field of Search D7/386, 376, 378, 379, D7/384, 386, 412; 241/92, 282.1, 282.2; 366/292, 279

[56] References Cited

U.S. PATENT DOCUMENTS

- D. 189,308 11/1960 Willman D7/379
- D. 189,936 3/1961 Grange D7/379
- D. 242,109 11/1976 Da Silva, Jr. D7/379
- D. 254,949 5/1980 Besford D7/379
- D. 256,319 8/1980 Ernest et al. D7/412
- 2,632,635 3/1953 Van Guilder 366/292 X
- 3,875,423 4/1975 Kemper D7/379 X

OTHER PUBLICATIONS

Design, p. 146, 1961, Mixer.

Primary Examiner—Bernard Ansher

Assistant Examiner—Linda Titolo

Attorney, Agent, or Firm—Rolf E. Schneider

[57] CLAIM

The ornamental design for a kitchen machine base unit, as shown and described.

DESCRIPTION

FIG. 1 is a front, top and right side perspective view of a kitchen machine base unit showing my new design, the unit being in open position;

FIG. 2 is a front elevational view thereof;

FIG. 3 is a rear elevational view thereof;

FIG. 4 is a right side elevational view thereof;

FIG. 5 is a left side elevational view thereof;

FIG. 6 is a top plan view thereof;

FIG. 7 is a bottom plan view thereof;

FIG. 8 is a perspective view of the kitchen machine base unit in the closed position with the motor block removed for ease of illustration;

FIG. 9 is a front elevational view of FIG. 8;

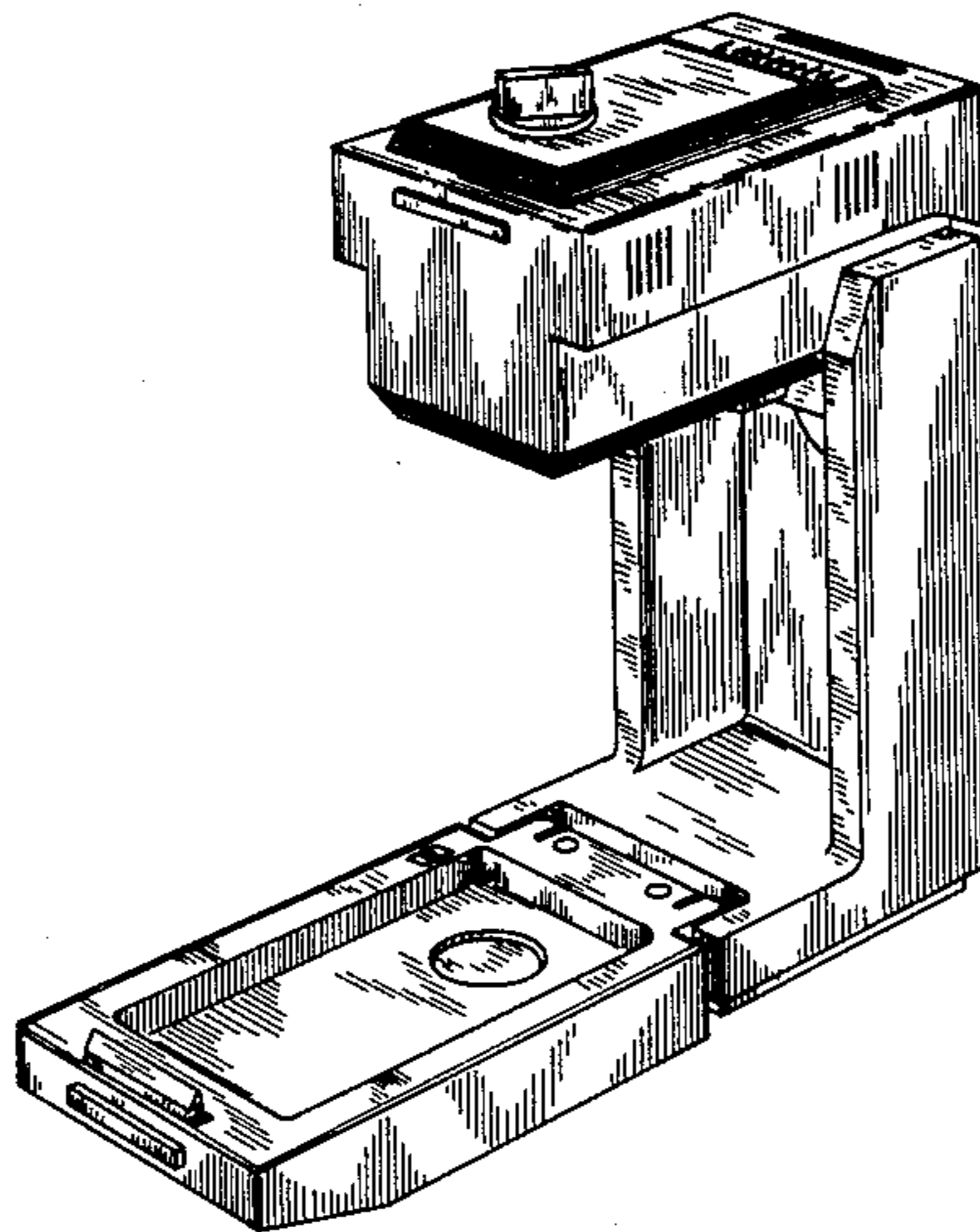
FIG. 10 is a rear elevational view of FIG. 8;

FIG. 11 is a top plan view of FIG. 8;

FIG. 12 is a bottom plan view of FIG. 8;

FIG. 13 is a right side elevational view of FIG. 8; and

FIG. 14 is a left side elevational view of FIG. 8.



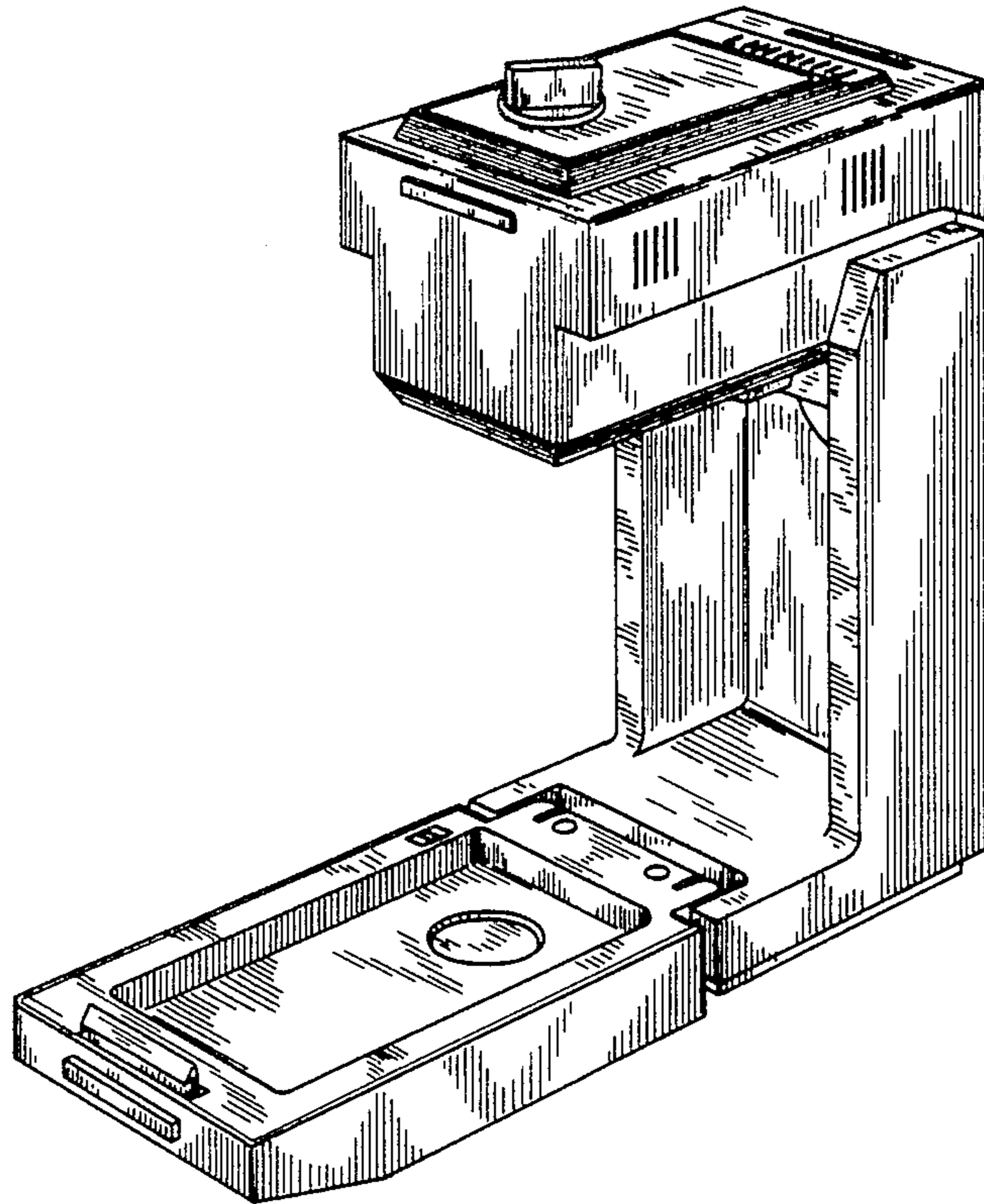


FIG. 1

FIG. 2

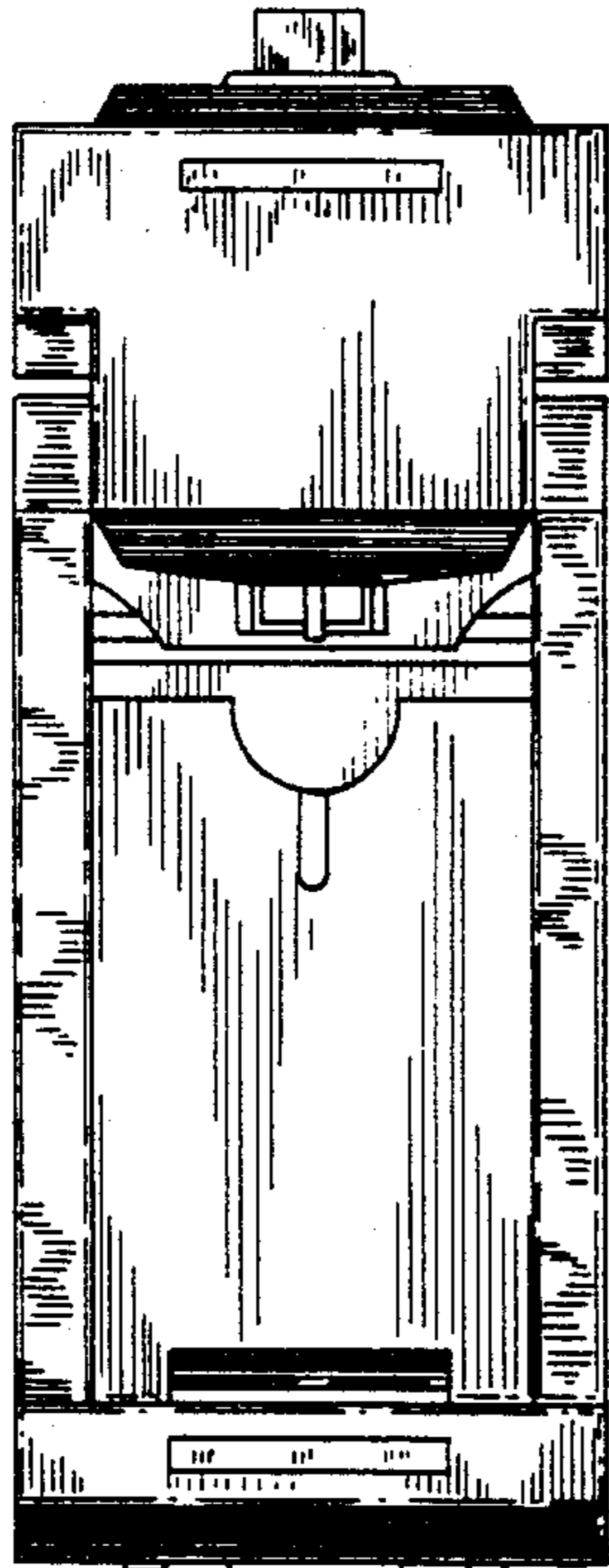


FIG. 3

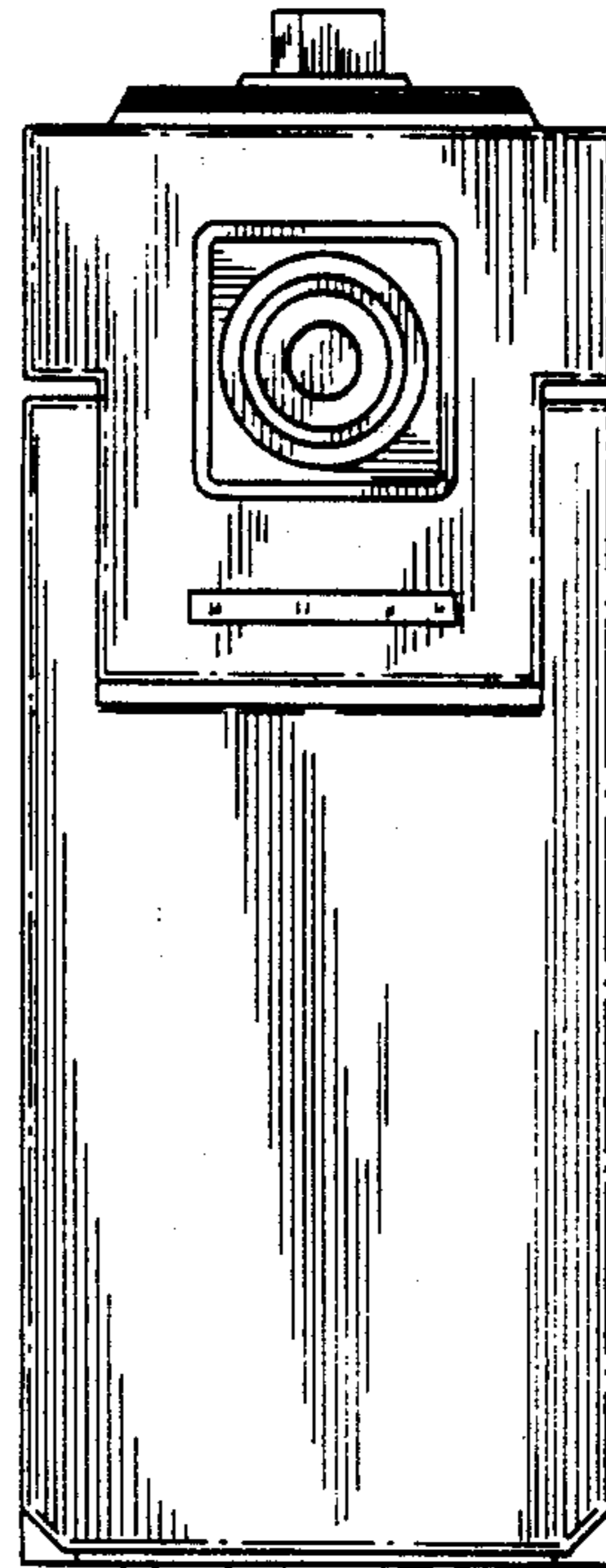
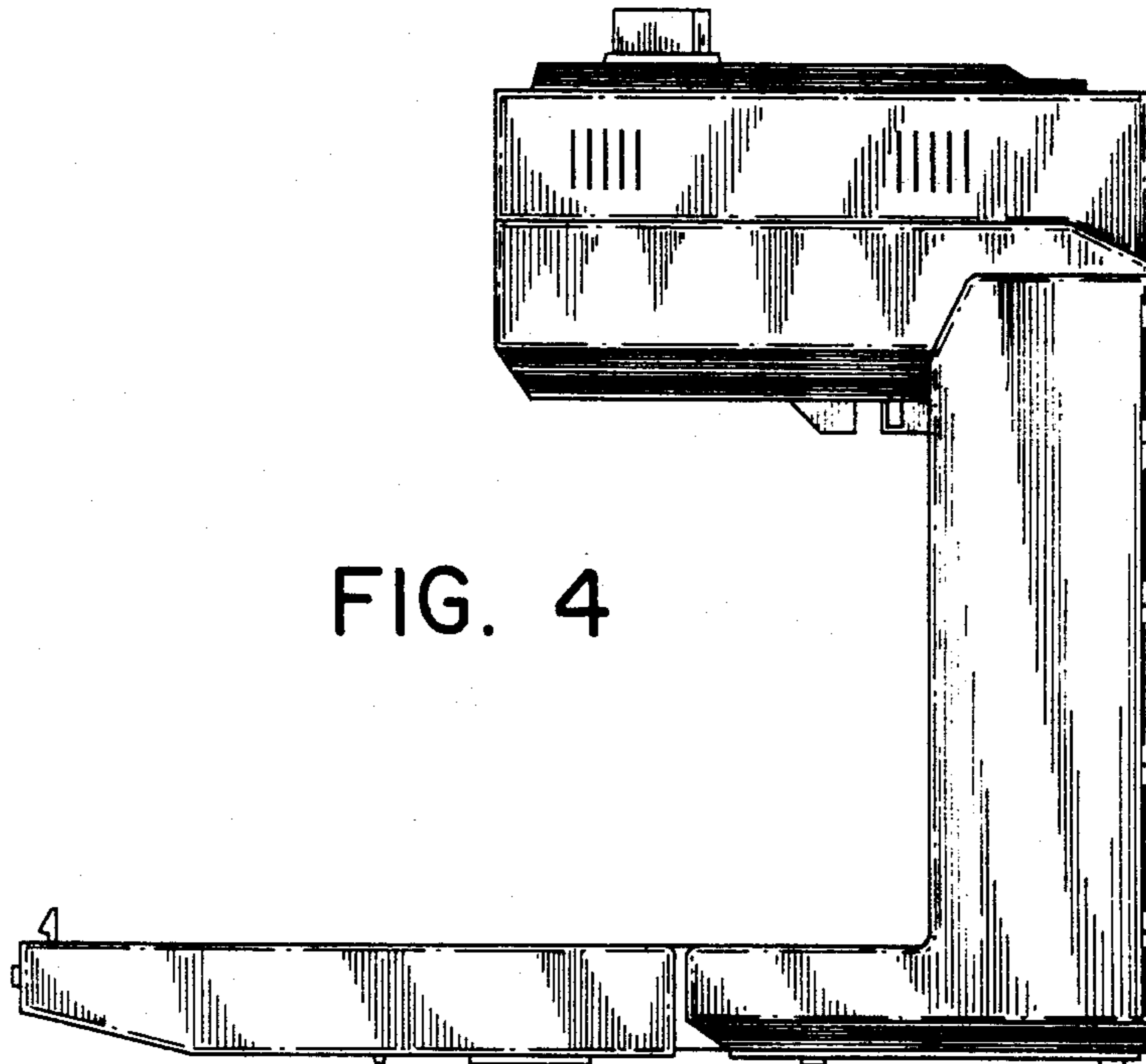


FIG. 4



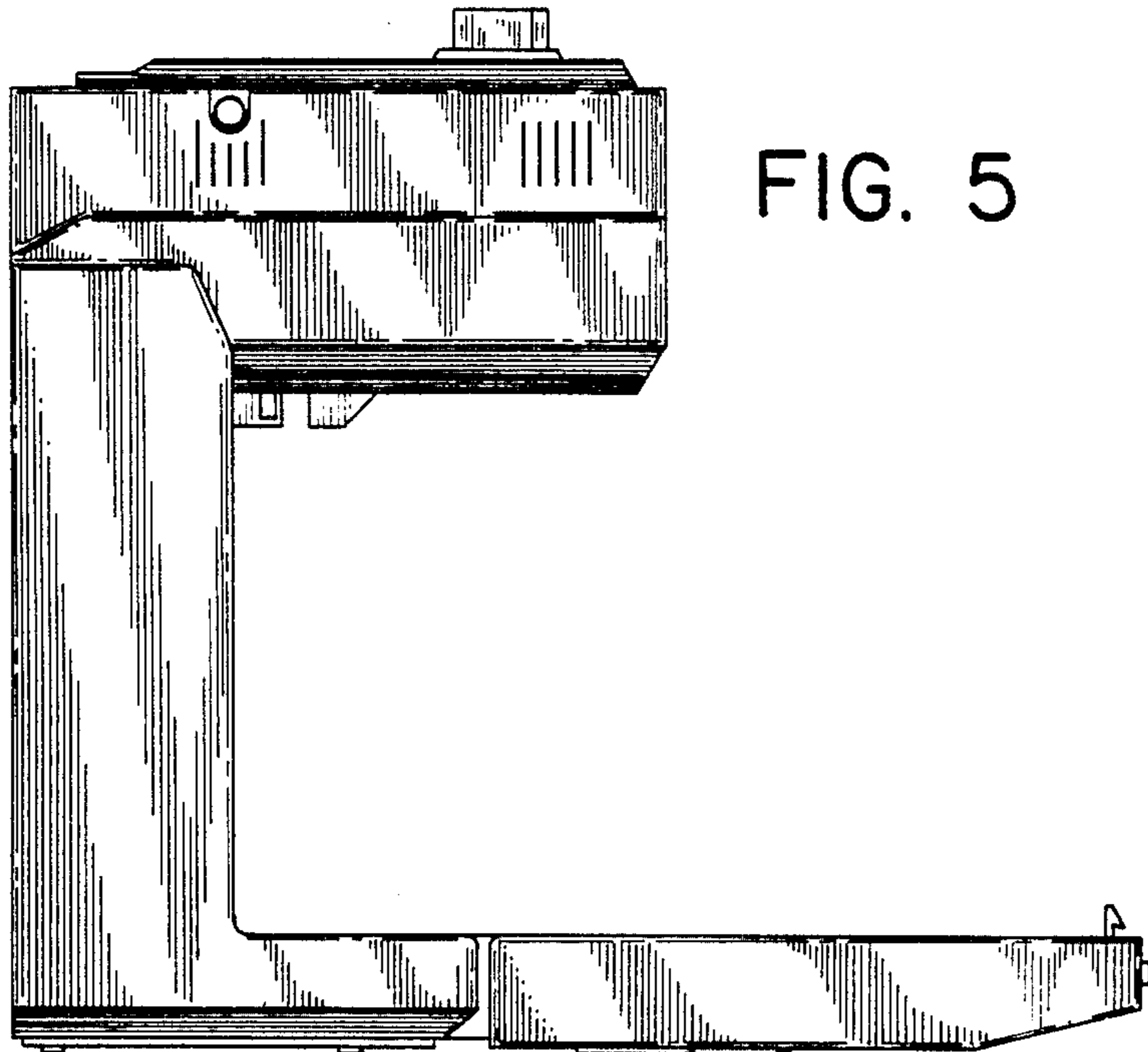


FIG. 5

FIG. 6

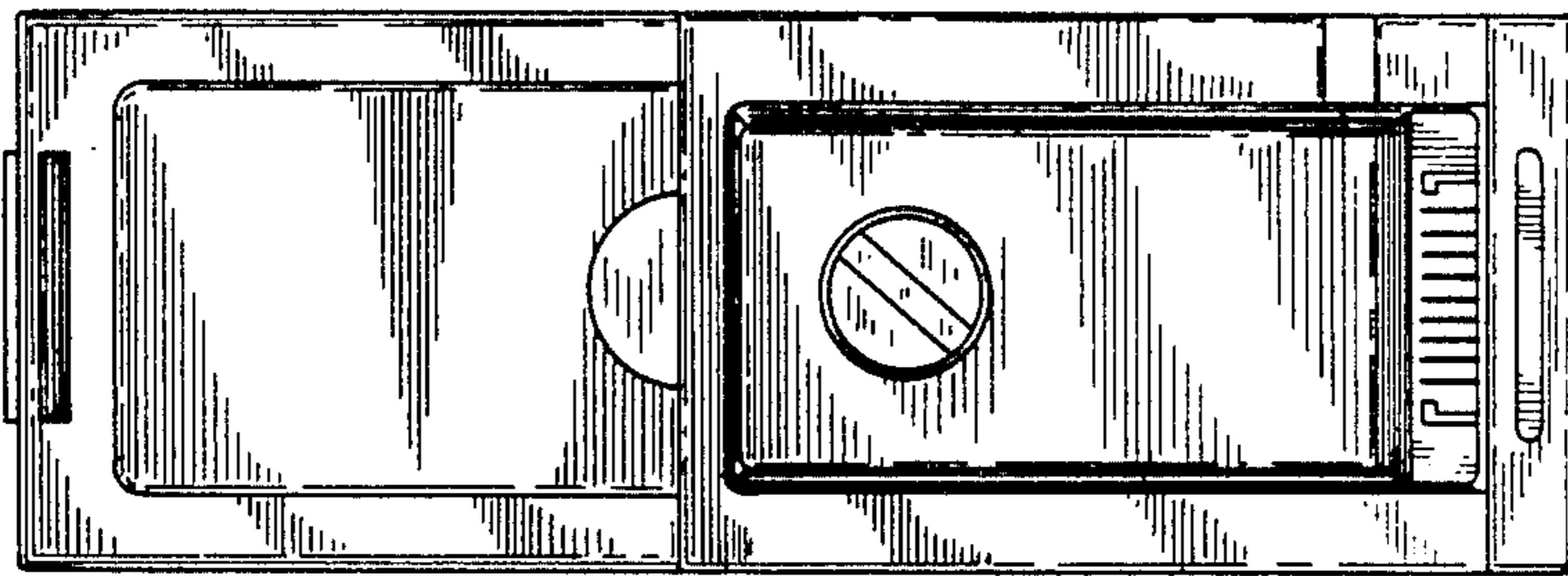
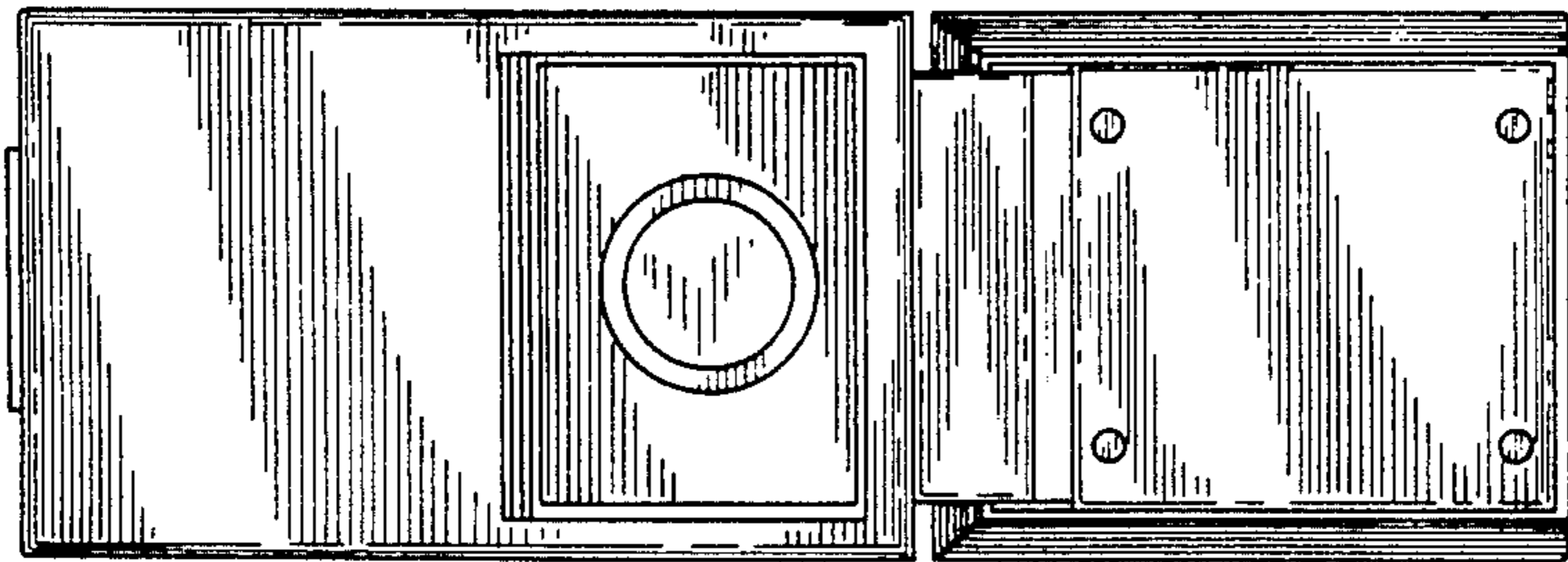


FIG. 7



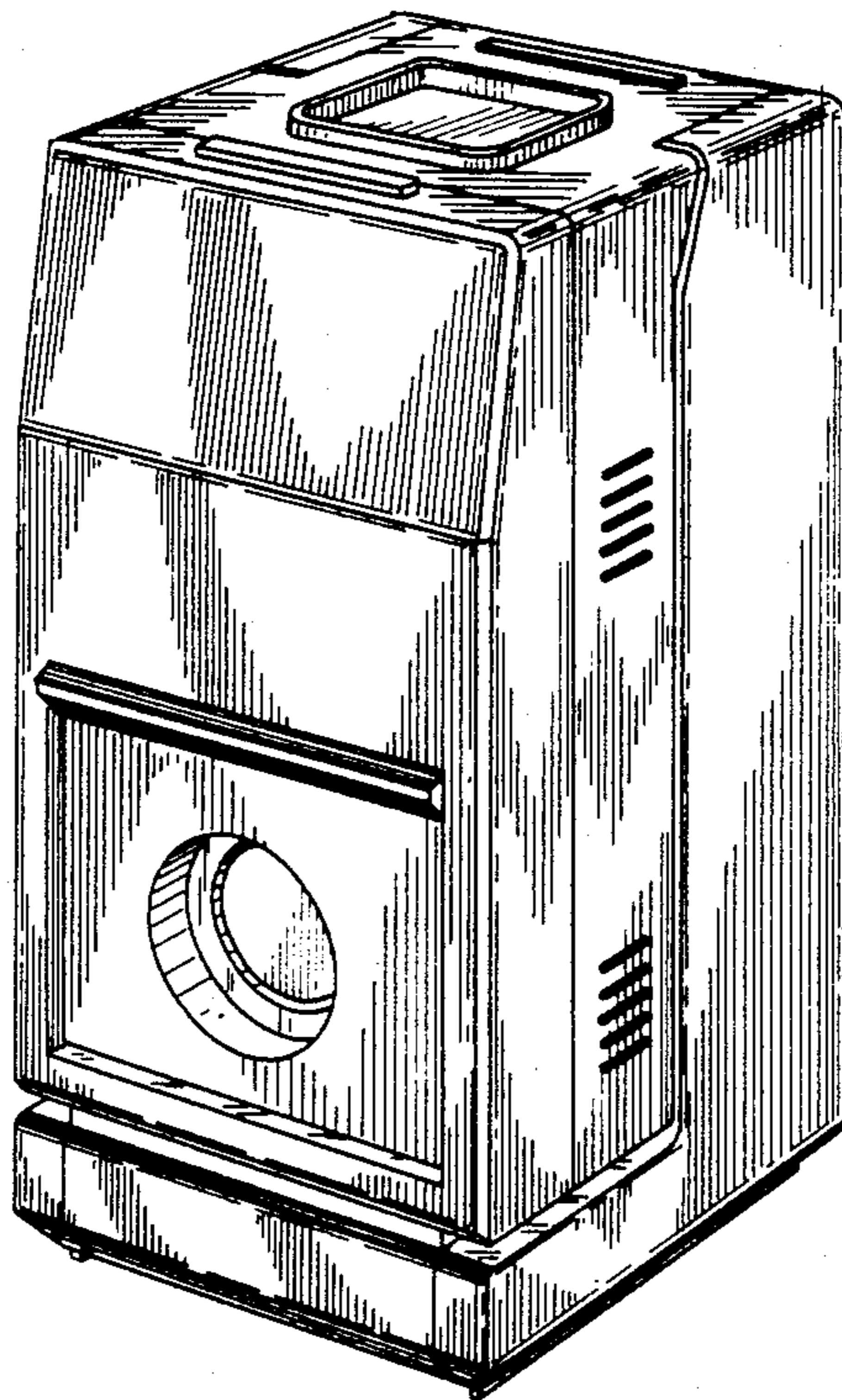


FIG. 8

FIG. 9

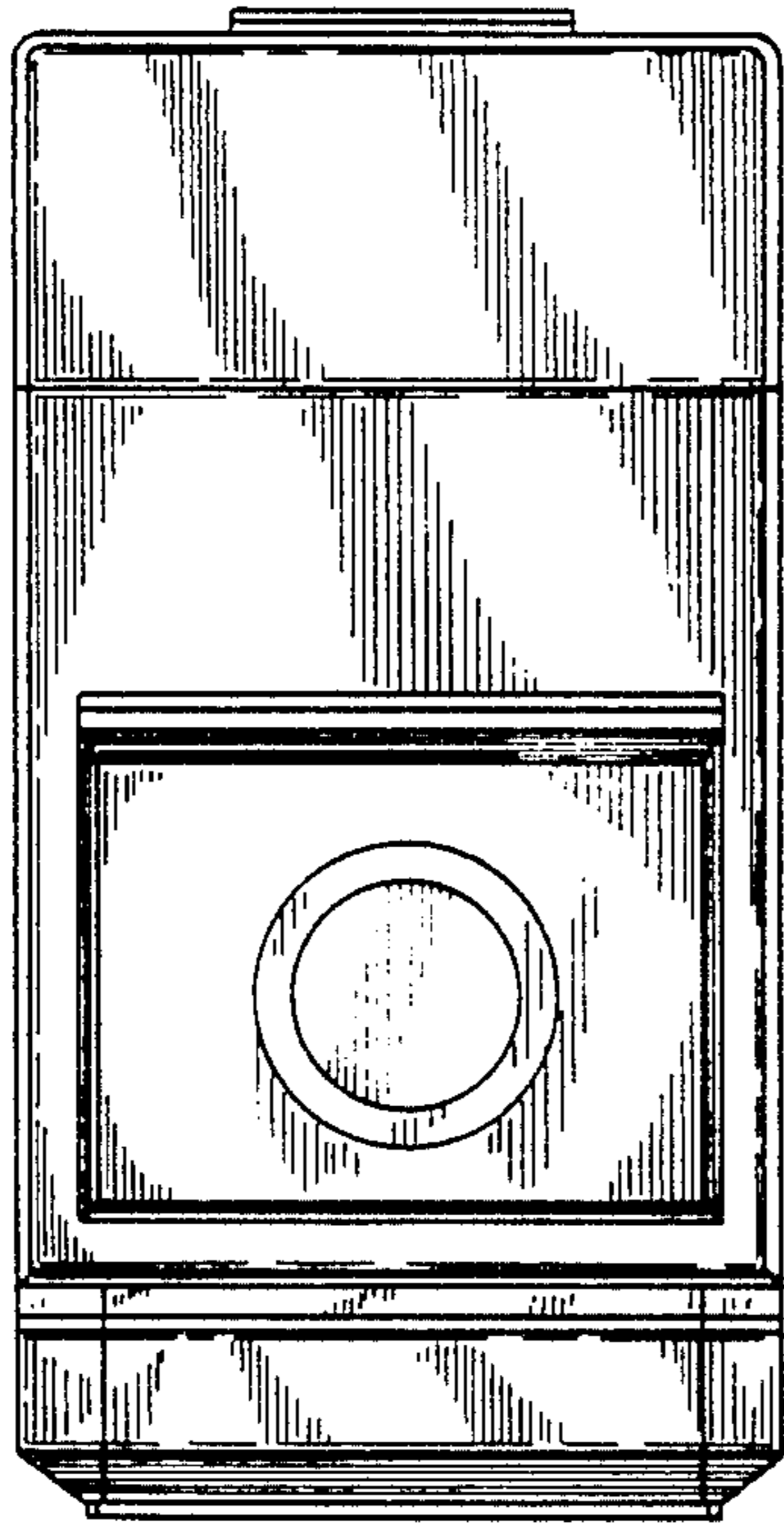


FIG. 10

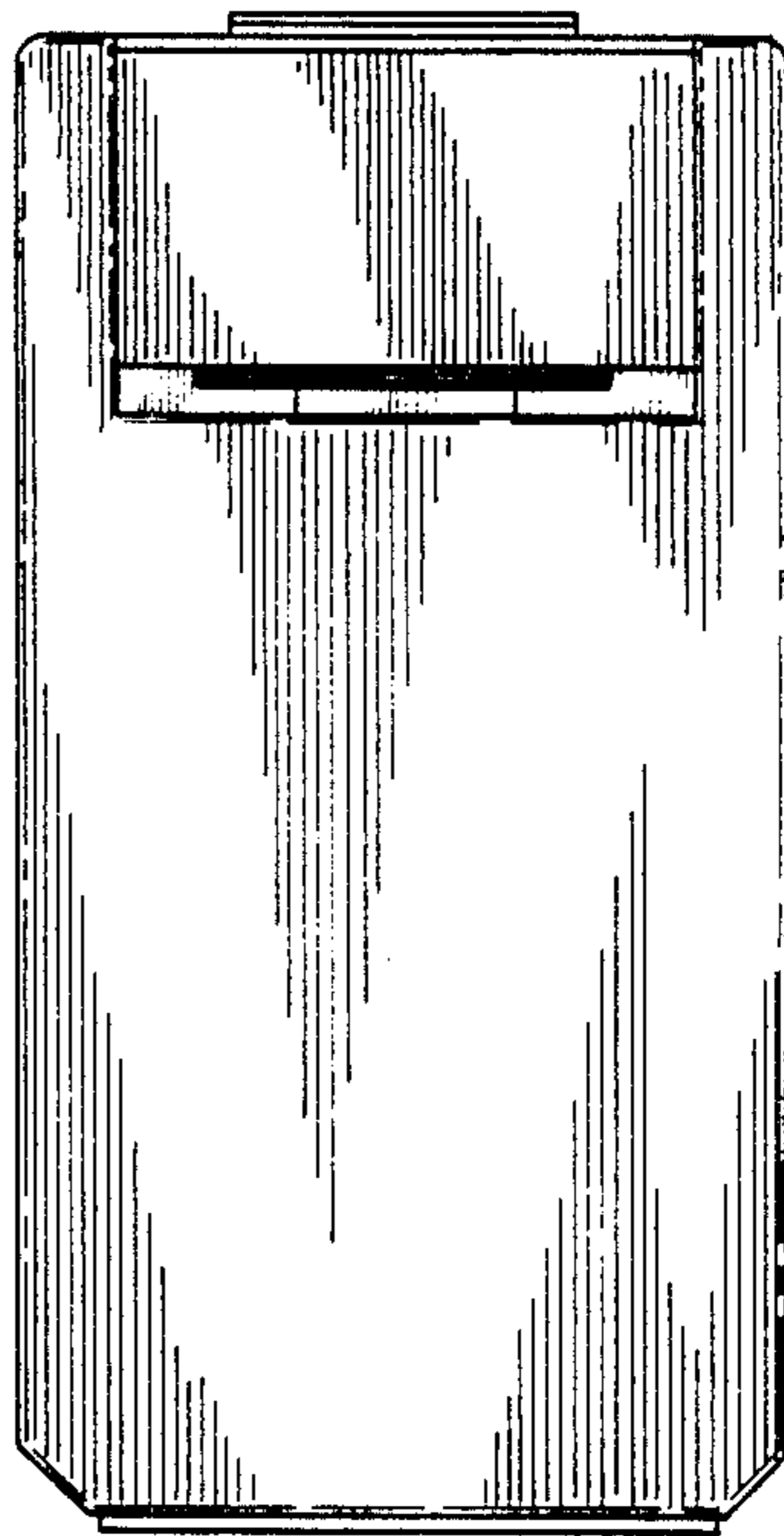


FIG. 11

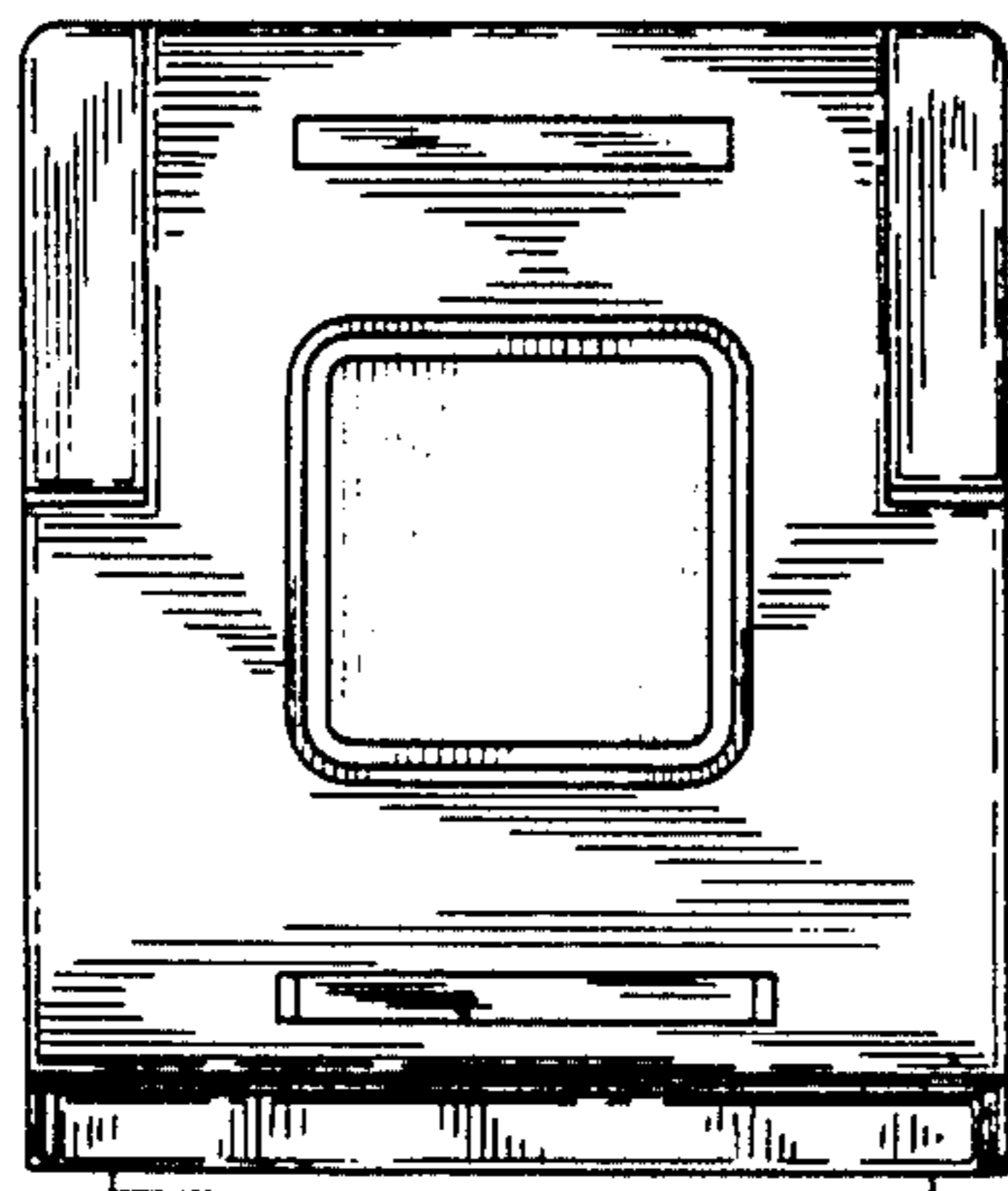
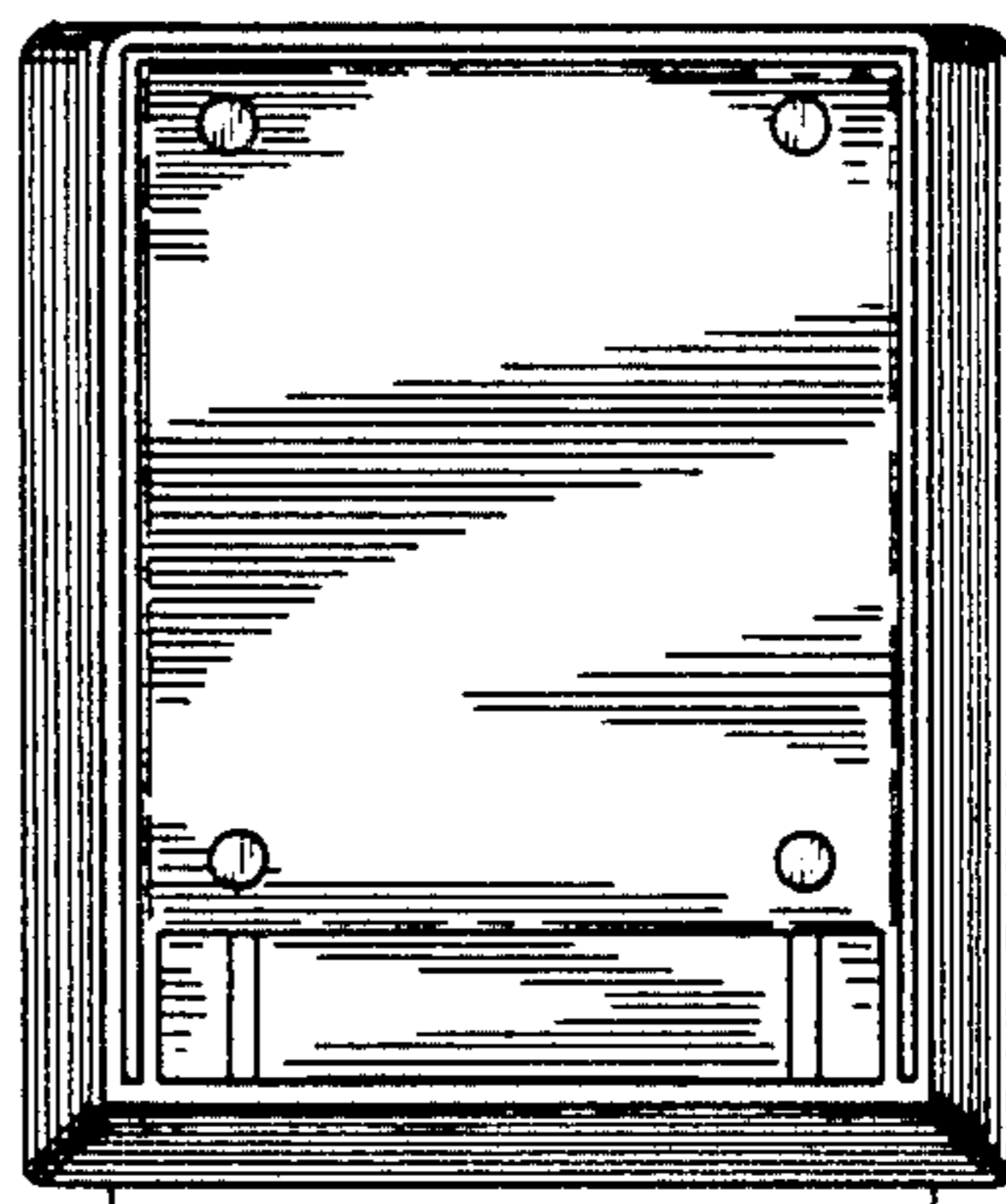


FIG. 12



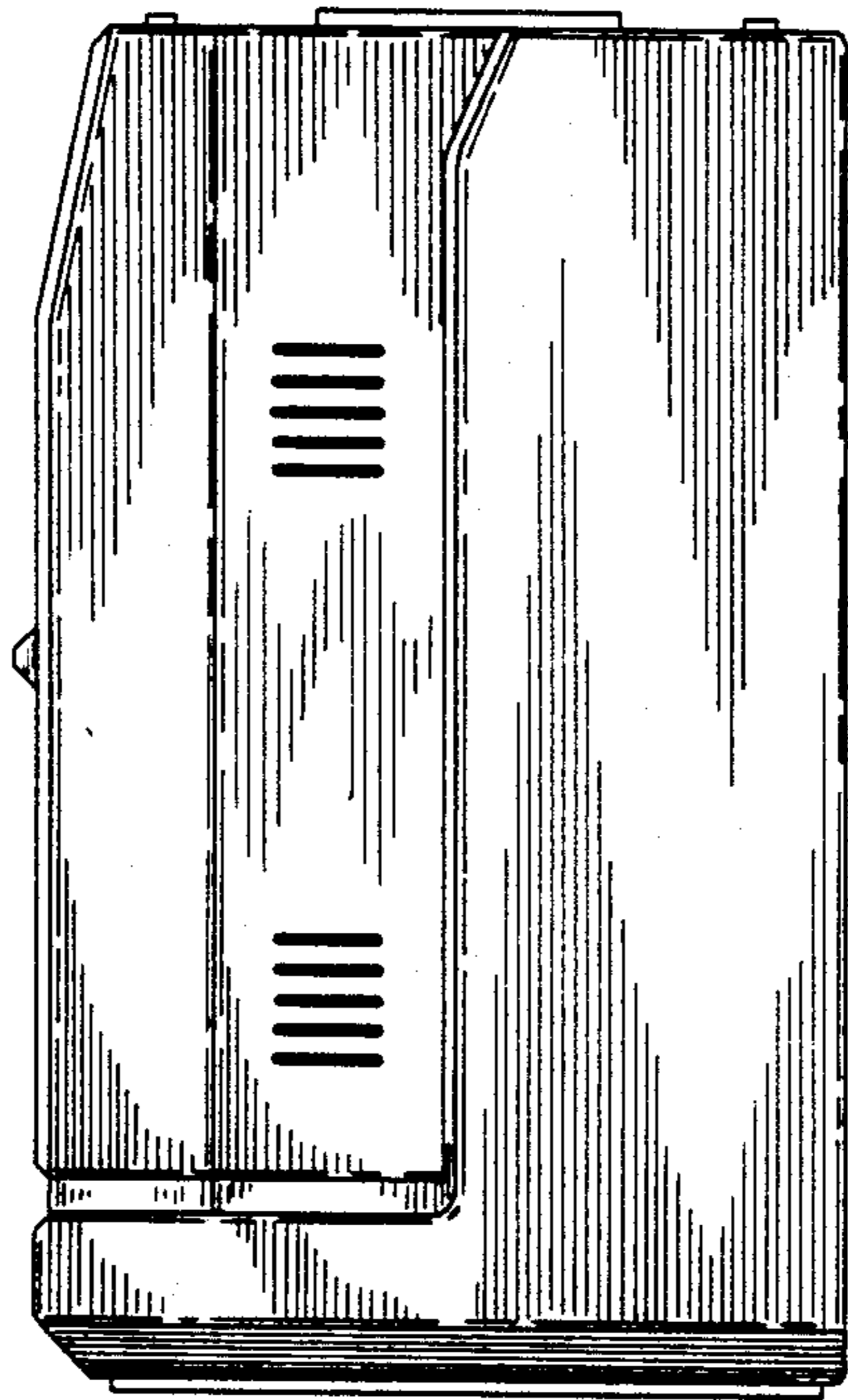


FIG. 13

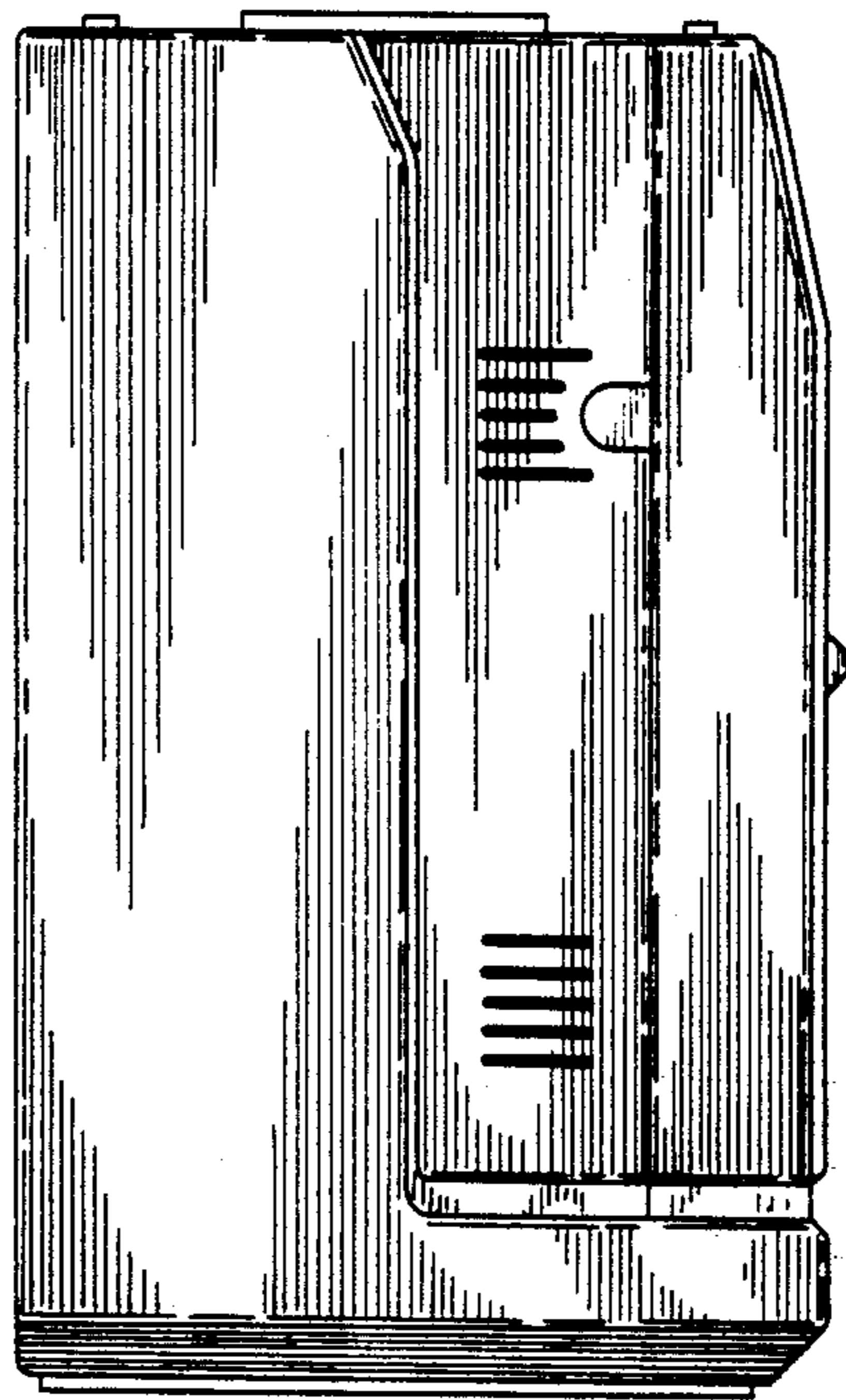


FIG. 14