

[54] BROILING GRILL

[76] Inventor: Liviu Christea, 26-45 Ninth St., Astoria, N.Y. 11102

[\*\*] Term: 14 Years

[21] Appl. No.: 412,778

[22] Filed: Aug. 30, 1982

[52] U.S. Cl. .... D7/359; D7/361

[58] Field of Search ..... D7/354, 359, 409, 411; 99/425, 422, 445

[56] References Cited

U.S. PATENT DOCUMENTS

D. 154,967	8/1949	Watkins	.....	D7/359
D. 166,780	5/1952	Watkins	.....	D7/359
D. 197,663	3/1964	O'Reilly	.....	D7/359
1,257,234	2/1918	Hollands	.....	99/425
3,407,723	10/1968	Varkala	.....	99/425 X

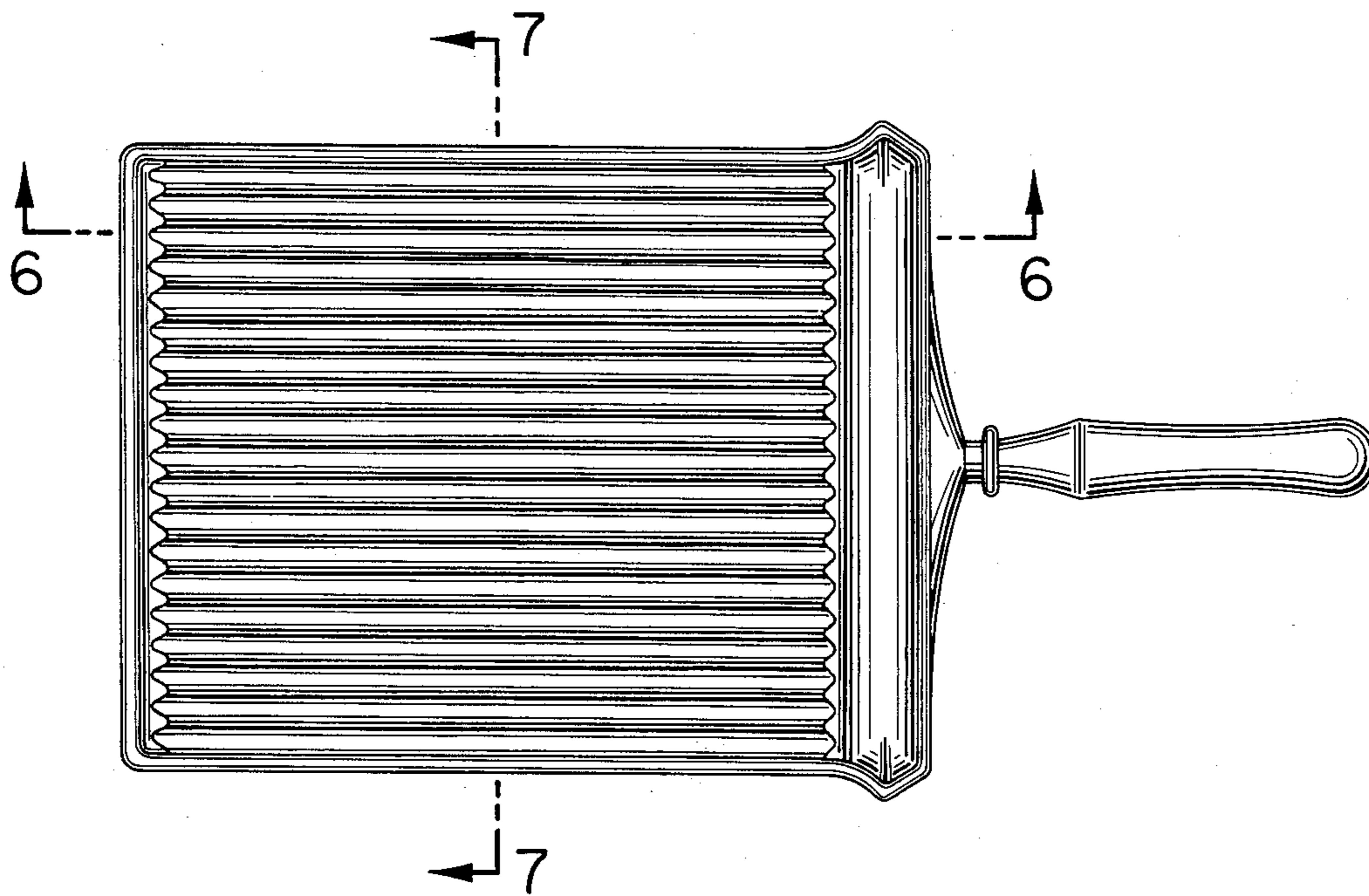
Primary Examiner—Bernard Ansher  
Assistant Examiner—Linda Titolo  
Attorney, Agent, or Firm—Collard, Roe & Galgano

[57] CLAIM

The ornamental design for a broiling grill, substantially as shown.

DESCRIPTION

FIG. 1 is a top plan view of a broiling grill, showing my new design;  
FIG. 2 is a left side elevational view thereof;  
FIG. 3 is a front elevational view thereof (the rear elevational view being the same);  
FIG. 4 is a right side elevational view thereof;  
FIG. 5 is a bottom view thereof;  
FIG. 6 is a longitudinal sectional view taken along lines 6—6 of FIG. 1; and  
FIG. 7 is a transverse sectional view taken along lines 7—7 of FIG. 1.



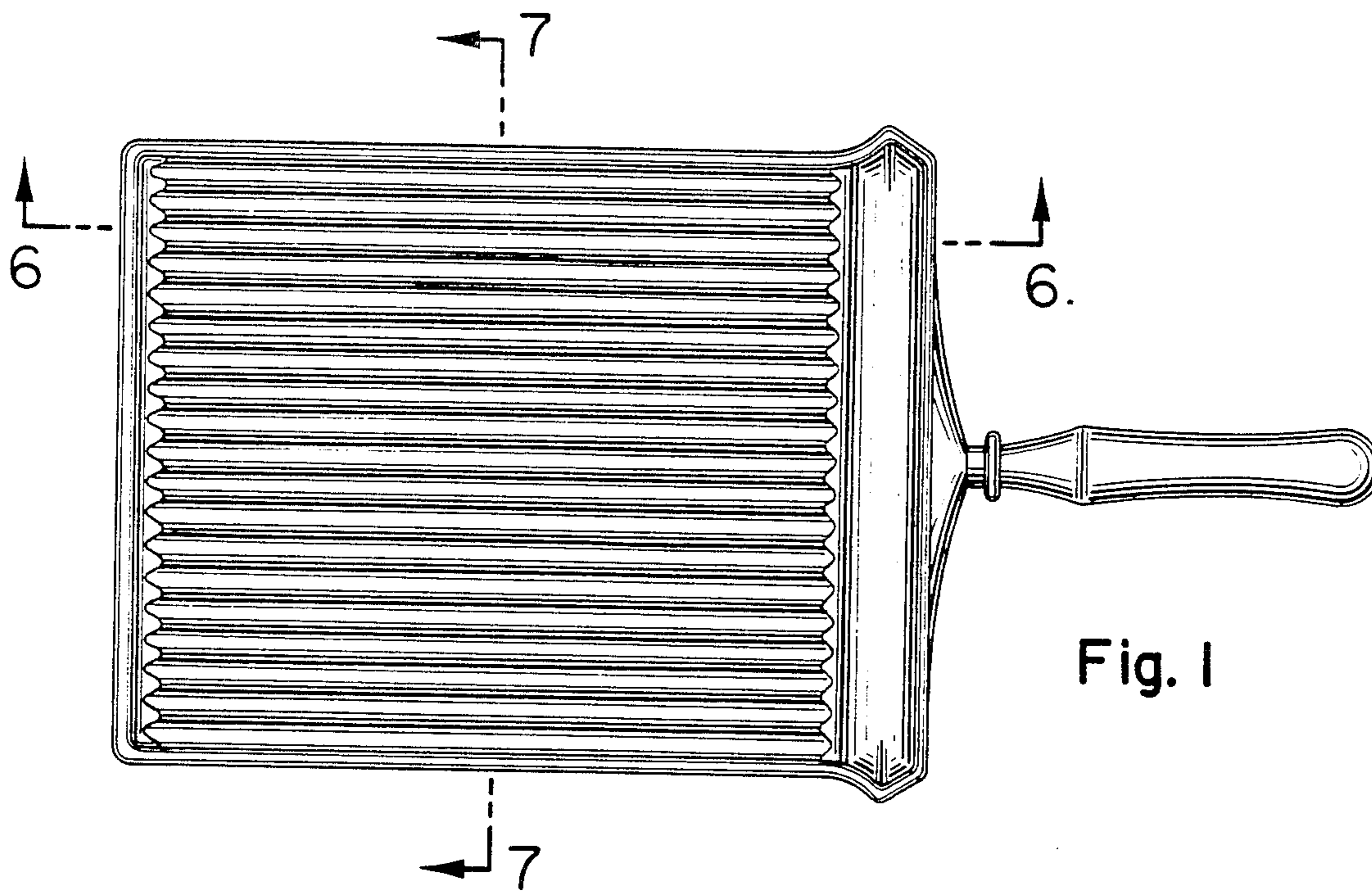


Fig. 1

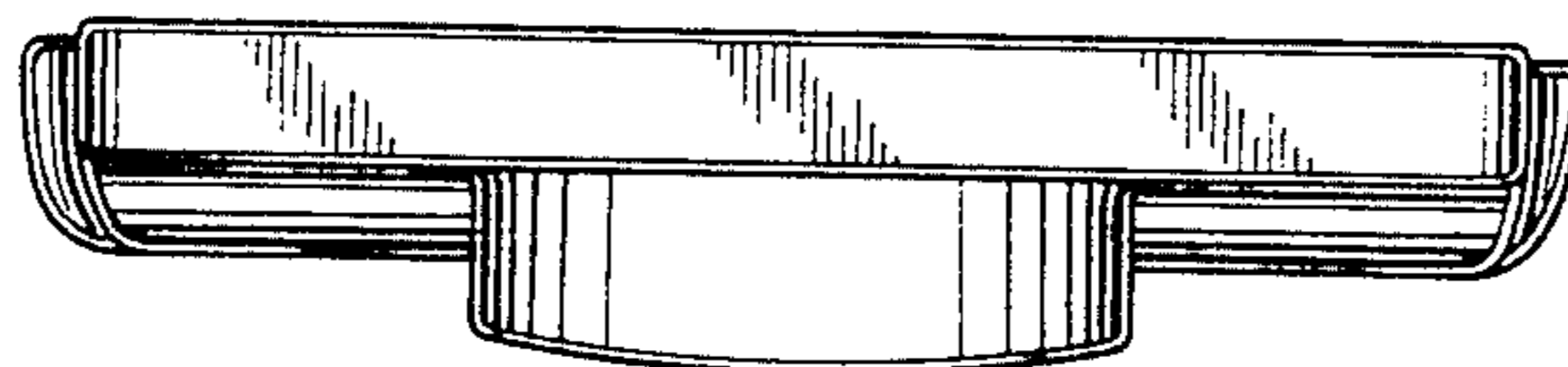


Fig. 2

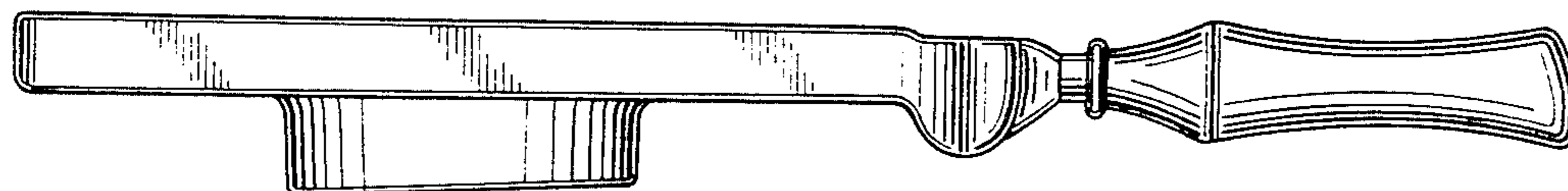


Fig. 3

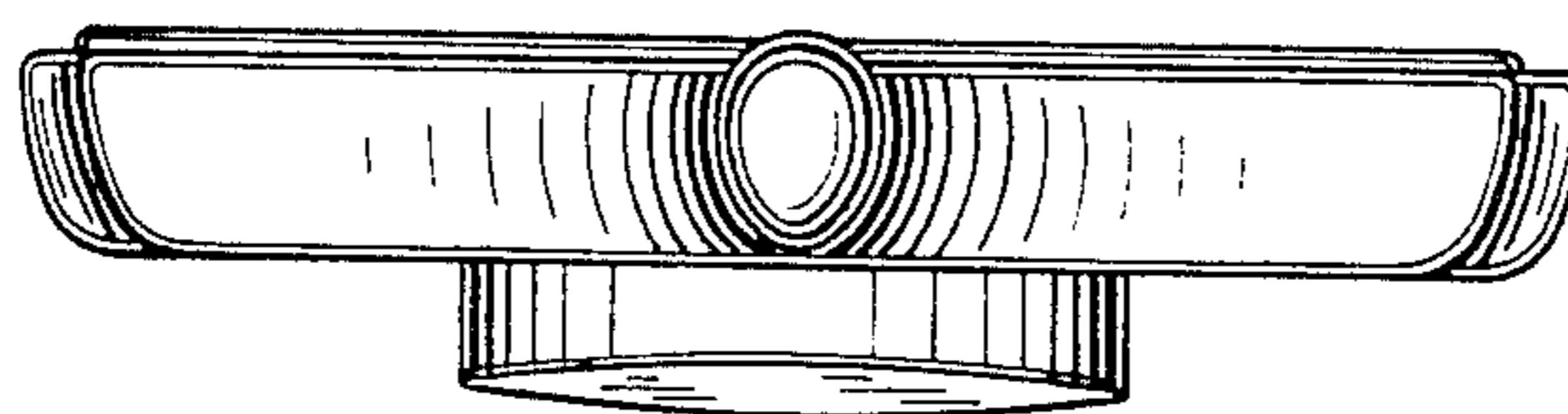


Fig. 4

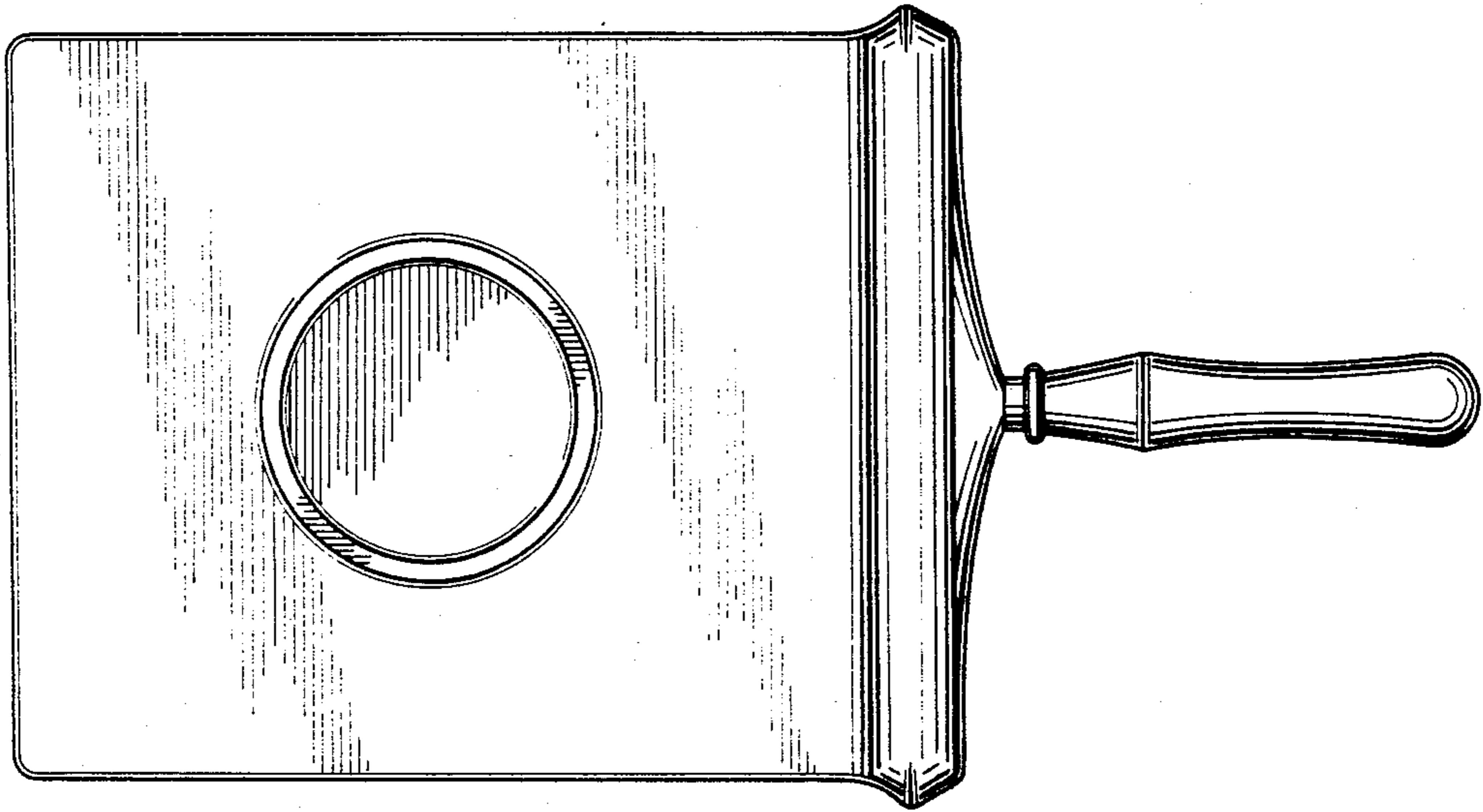


Fig. 5



Fig. 6

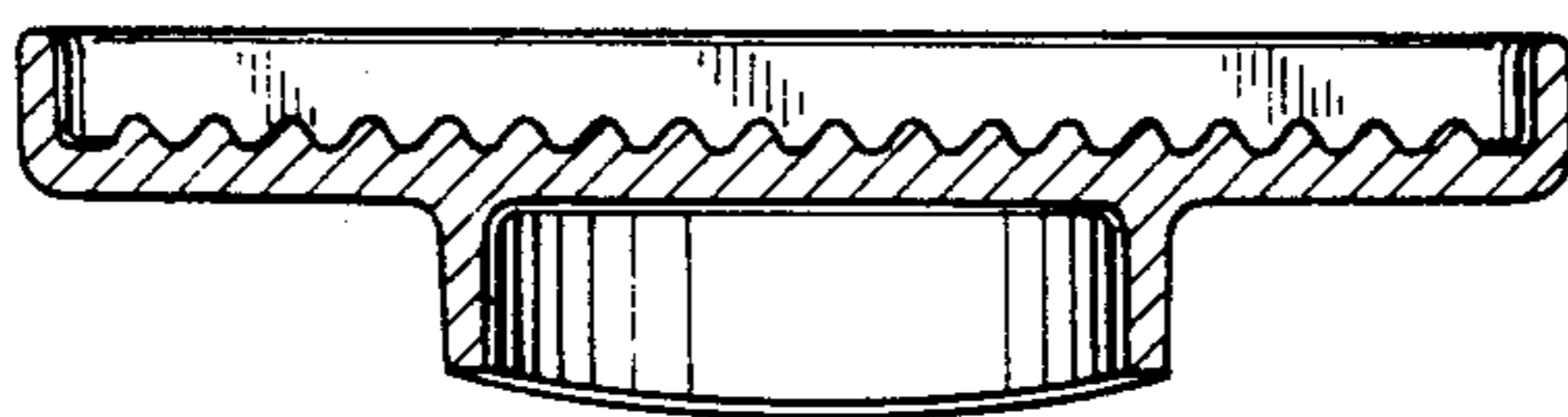


Fig. 7