

[54] HOT AIR POPCORN POPPER

[75] Inventors: Thurber H. Morrison, Evanston; Robert W. Becker, Naperville; Robert S. Huff, Oak Park, all of Ill.

[73] Assignee: National Presto Industries, Inc., Eau Claire, Wis.

[**] Term: 14 Years

[21] Appl. No.: 476,119

[22] Filed: Mar. 17, 1983

[52] U.S. Cl. D7/325

[58] Field of Search D7/325, 323, 76, 374; 49/323.5-323.11

[56] References Cited

U.S. PATENT DOCUMENTS

D. 256,019	7/1980	Boldt et al.	D7/325
D. 256,467	8/1980	Johnson et al.	D7/325
D. 259,385	6/1981	Levin	D7/325
D. 260,649	9/1981	Wondergem	D7/325
D. 273,358	4/1984	Johnson et al.	D7/325
4,152,974	5/1979	Tienor	99/323.8

OTHER PUBLICATIONS

Retailing Home Furnishings, 1-1978, Sec. 2, p. 23, Popcorn Pumper.

Wear-Ever, "Popcorn Pumper".
Shetland, "Pops-A-Lot Corn Popper".
Sunbeam, "Great American Popcorn Machine".
"Hot Air Corn Popper" (Model HF1).
Shetland, "Hot Air Corn Popper" Model CP-100).
"Mr. Popper Continuous Corn Popper".
Ambassador, Model No. 61222 Corn Popper.
Hamilton Beach Popaire Hot Air Corn Popper.
Hamilton Beach Popaire 2 Corn Popper.
J. C. Penney Hot Air Popcorn Popper.

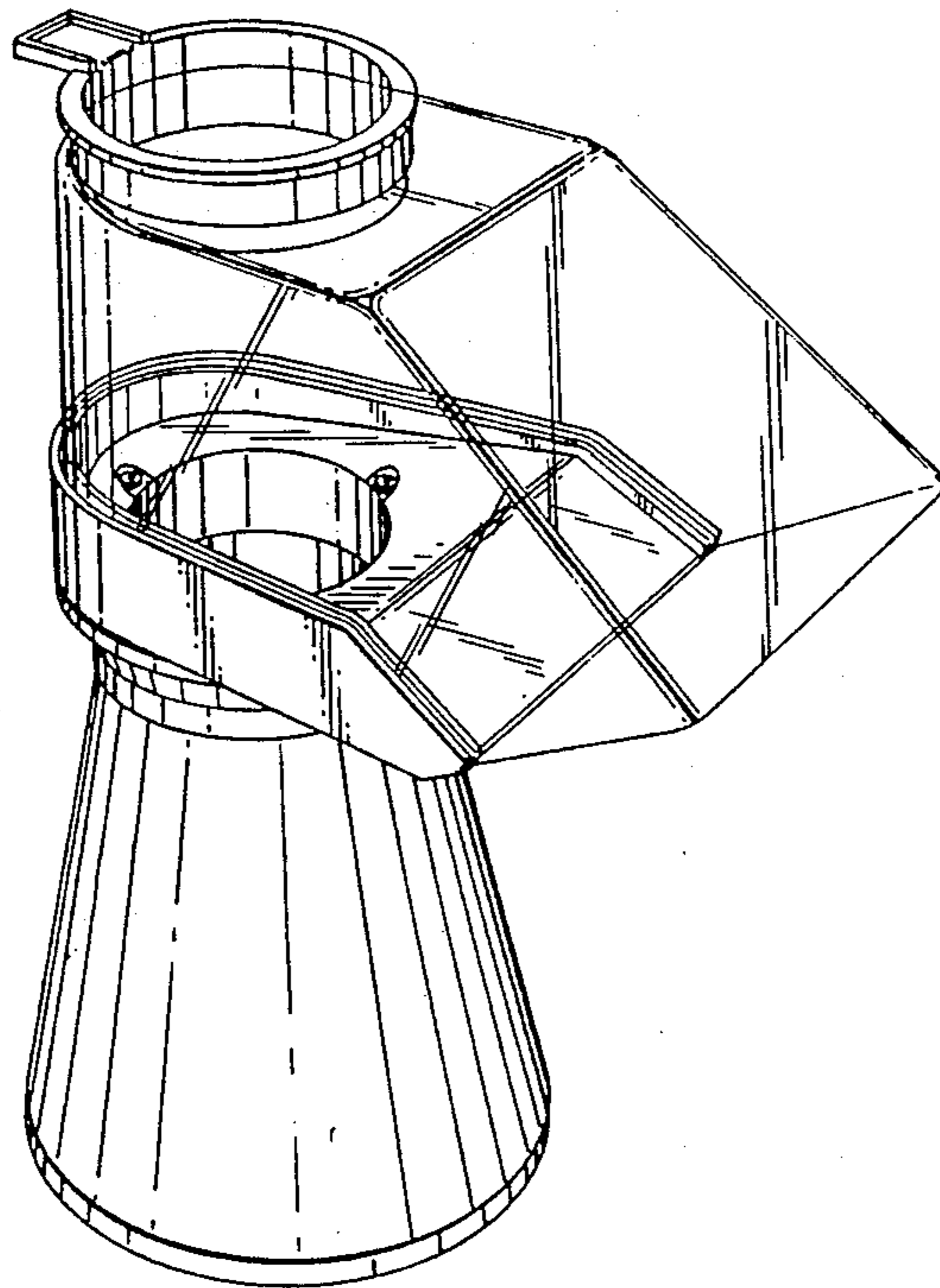
Primary Examiner—Bernard Ansher
Assistant Examiner—Linda Titolo
Attorney, Agent, or Firm—Merchant, Gould, Smith, Edell, Welter & Schmidt

[57] CLAIM

The ornamental design for a hot air popcorn popper, substantially as shown and described.

DESCRIPTION

FIG. 1 is a top front perspective view of a hot air popcorn popper showing my new design; FIG. 2 is a left side elevation thereof, the opposite side of which is a mirror image thereof; FIG. 3 is a front elevational view thereof; FIG. 4 is a rear elevational view thereof; FIG. 5 is a top plan view thereof; and FIG. 6 is a bottom plan view thereof.



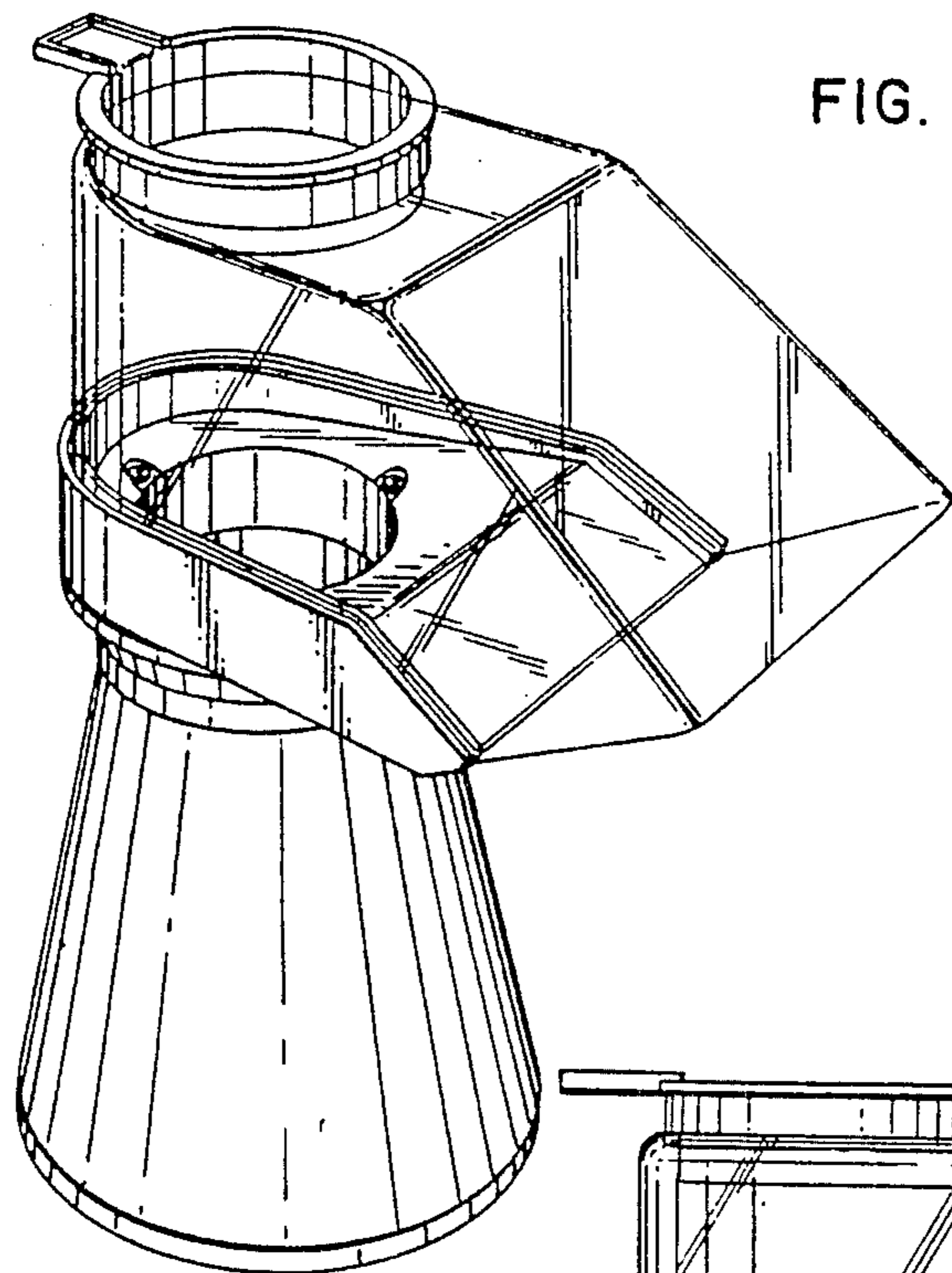


FIG. 2

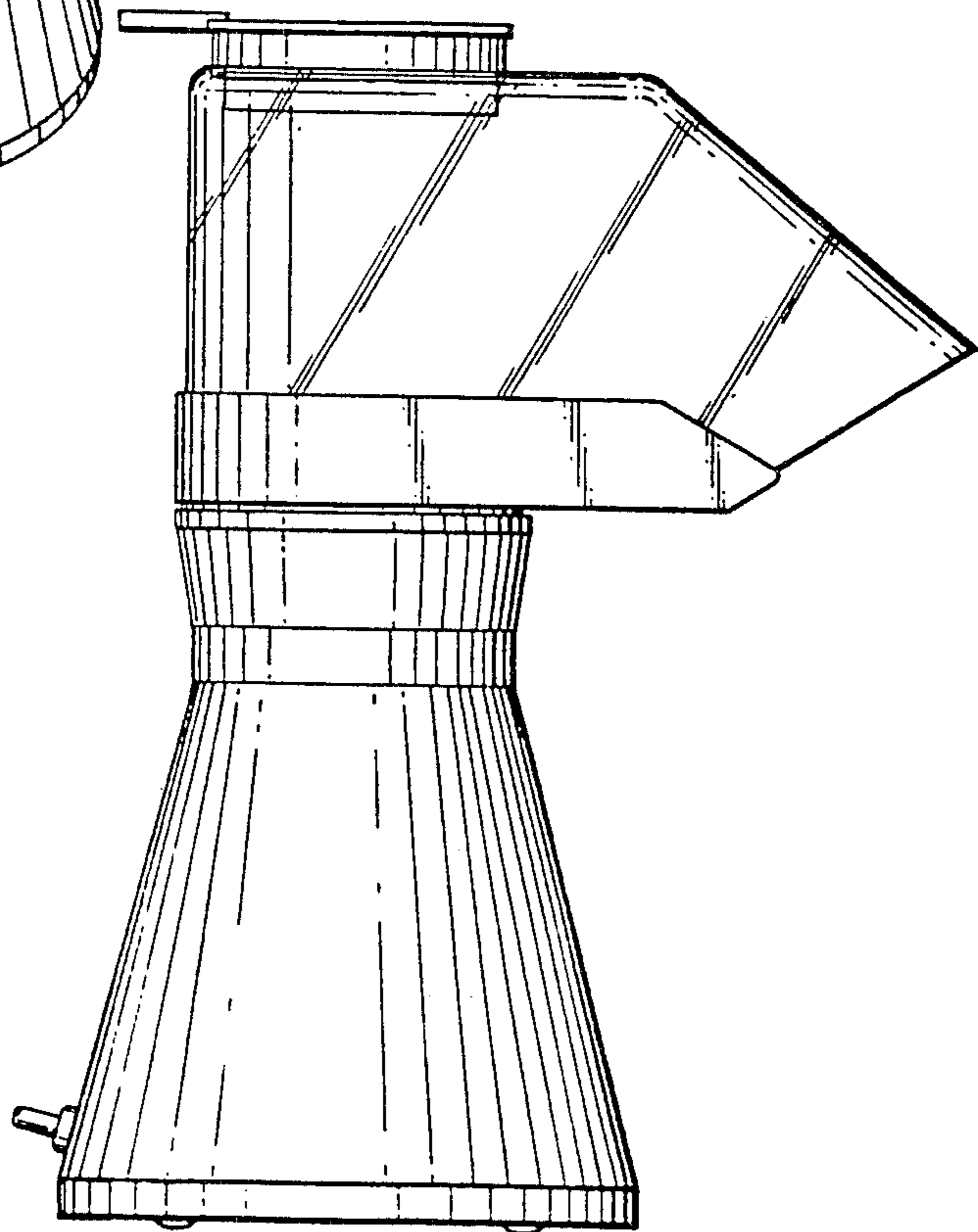


FIG. 3

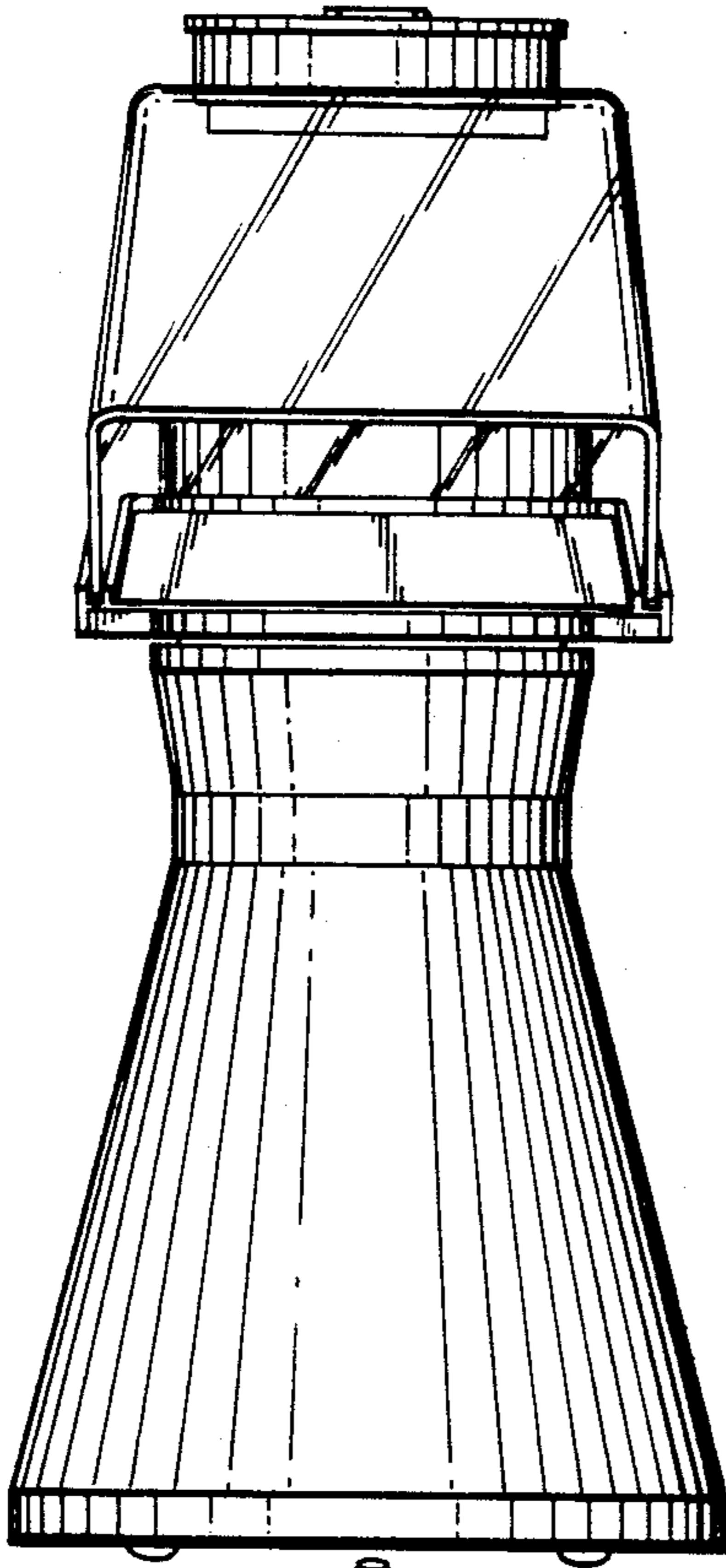


FIG. 4

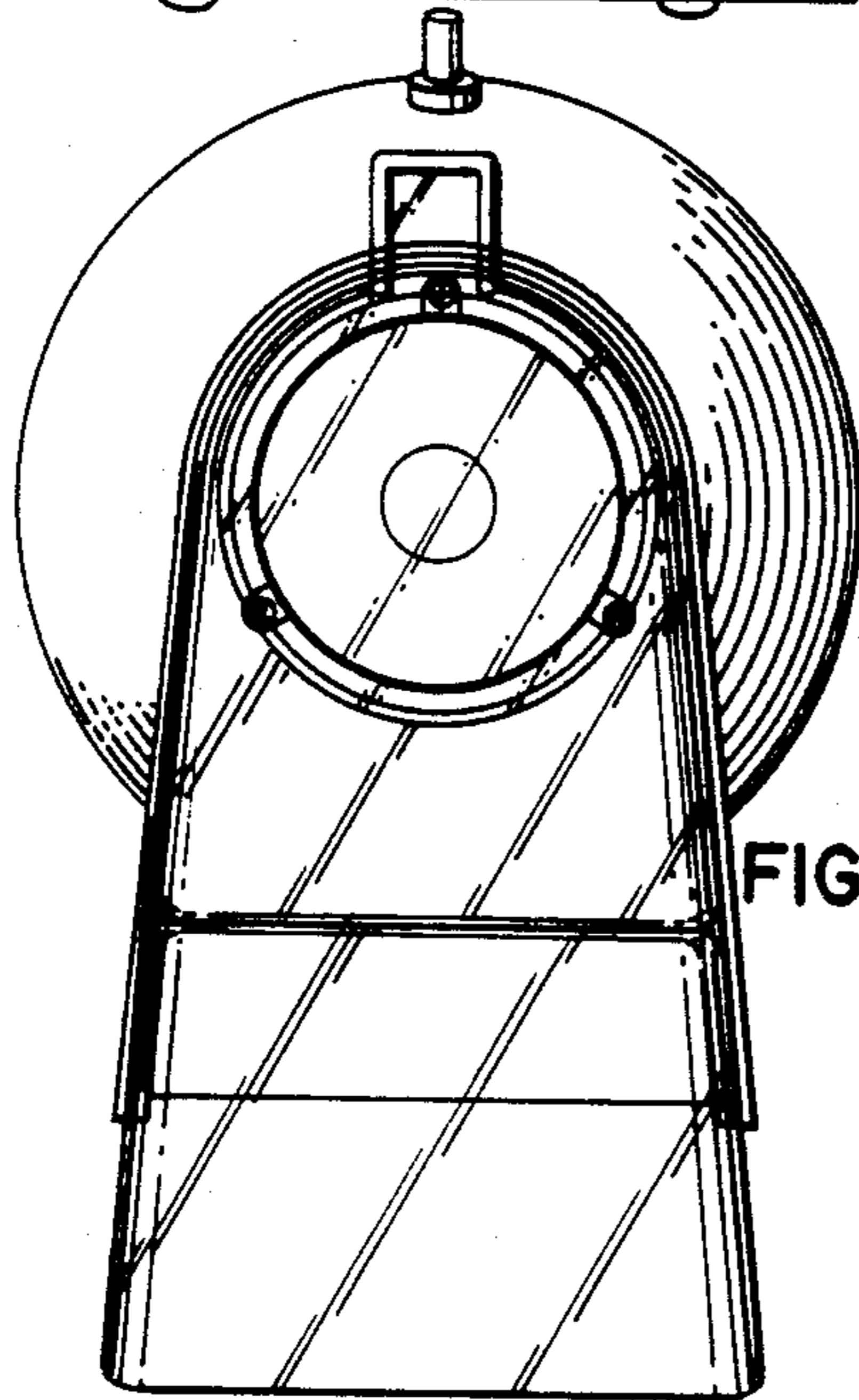
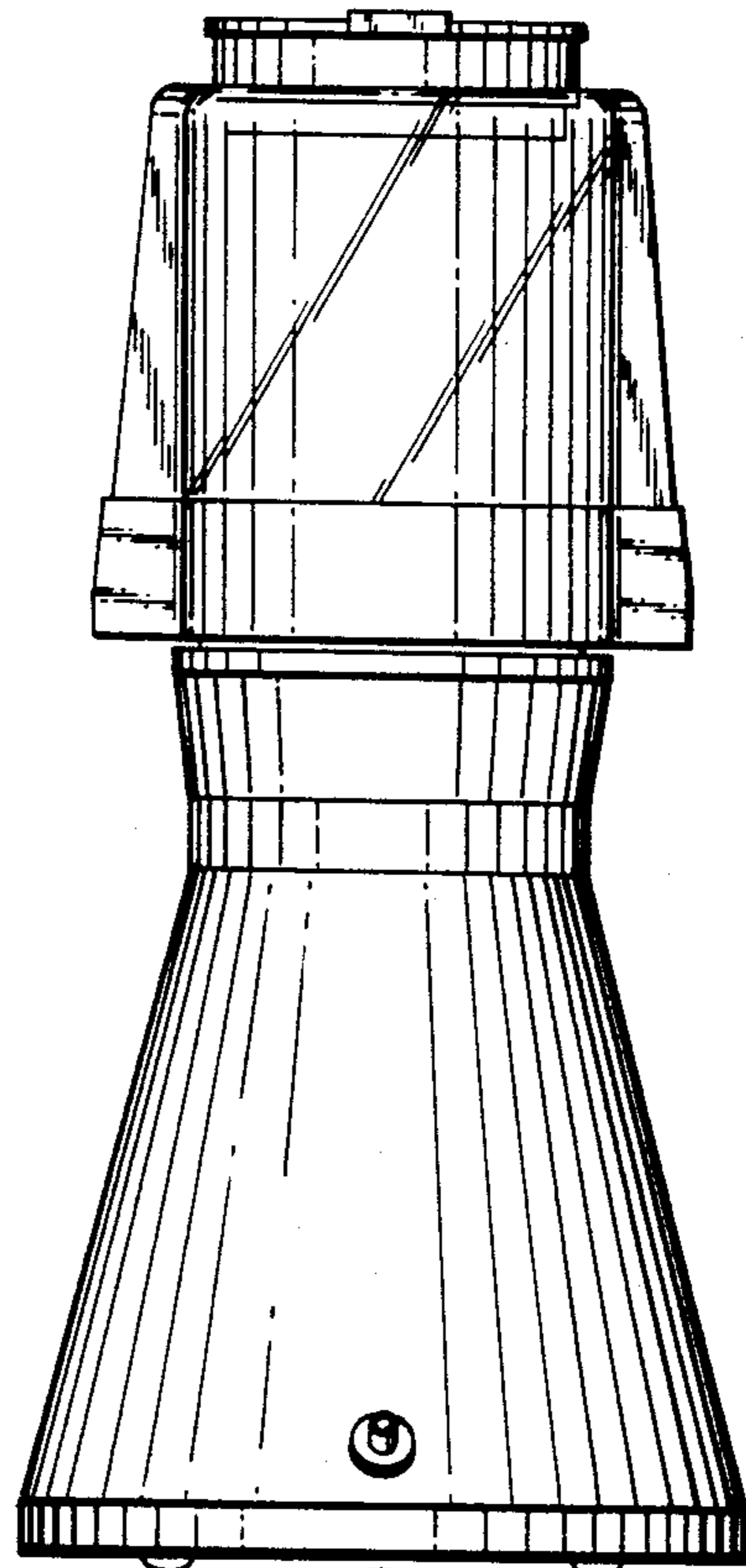


FIG. 5

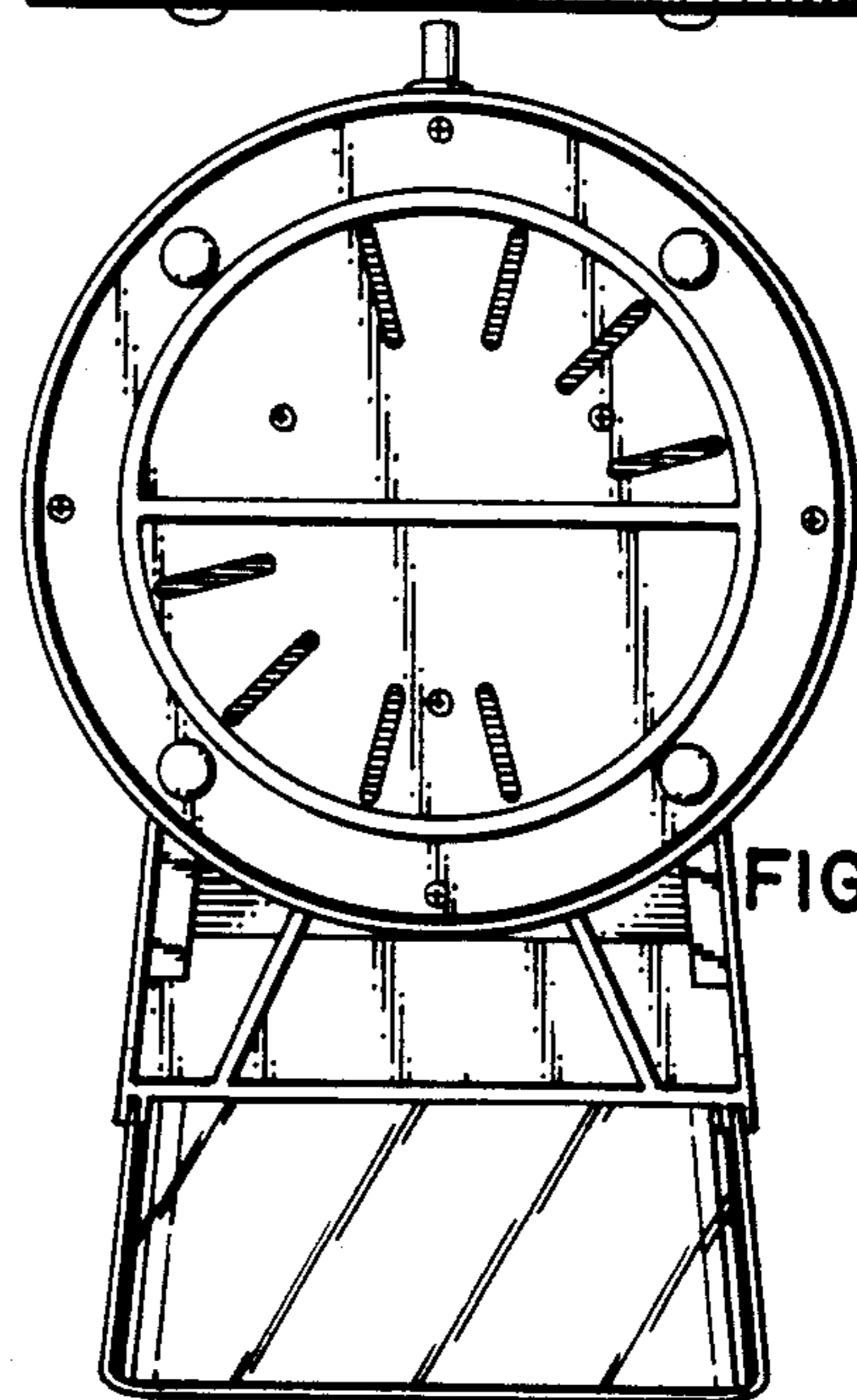


FIG. 6