

[54] **CORN POPPER**

[76] **Inventor: John D. Goodlaxson, 701 S. Goodrich, Colfax, Iowa 50054**

[**] **Term: 14 Years**

[21] **Appl. No.: 427,779**

[22] **Filed: Sep. 29, 1982**

[52] **U.S. Cl. D7/325**

[58] **Field of Search D7/375; 99/323.5, 323.6, 99/323.7**

[56] **References Cited**

U.S. PATENT DOCUMENTS

| | | | | |
|------------|---------|------------|-------|--------|
| D. 95,121 | 4/1935 | Cretors | | D7/325 |
| D. 163,497 | 5/1951 | Waas | | D7/325 |
| D. 177,161 | 3/1956 | Waas | | D7/325 |
| D. 177,456 | 4/1956 | Altemiller | | D7/325 |
| D. 179,170 | 11/1956 | Waas | | D7/325 |

OTHER PUBLICATIONS

Gold Medal Products Co., "Proper Popper," Items D and E, p. 26, Foodservice Equip. Dealer/Feb. 1976.

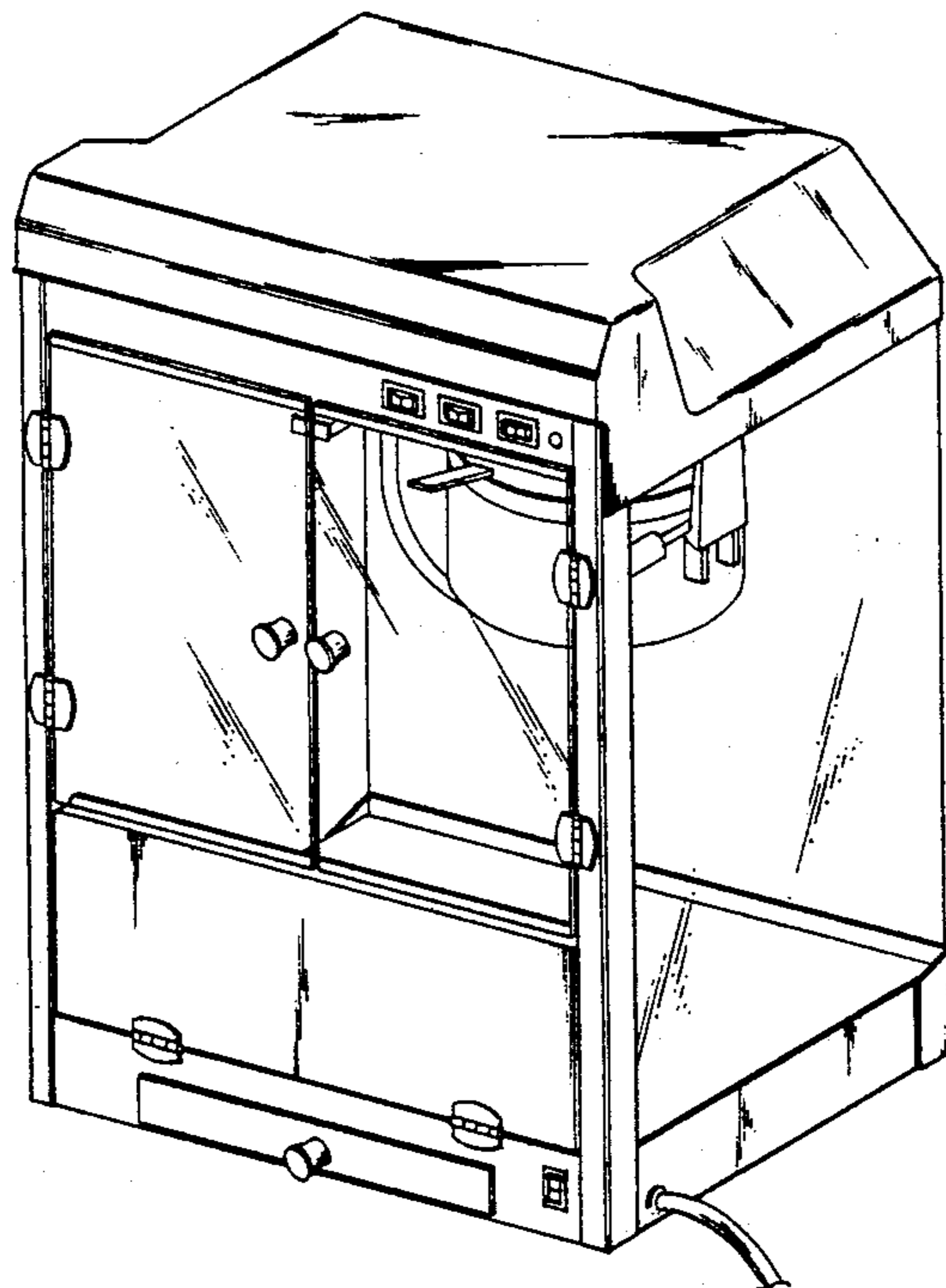
Primary Examiner—Wallace R. Burke
Assistant Examiner—Lynn Wilder
Attorney, Agent, or Firm—Zarley, McKee, Thomte, Voorhees & Sease

[57] **CLAIM**

The ornamental design for a corn popper, substantially as shown and described.

DESCRIPTION

FIG. 1 is a rear perspective view of a corn popper showing my new design;
FIG. 2 is a rear elevational view thereof;
FIG. 3 is a frontal elevational view thereof;
FIG. 4 is a top plan view thereof;
FIG. 5 is a side elevational view thereof taken from the side as seen from the left in FIG. 2; and
FIG. 6 is a side elevational view thereof taken from the side as seen from the right in FIG. 2.



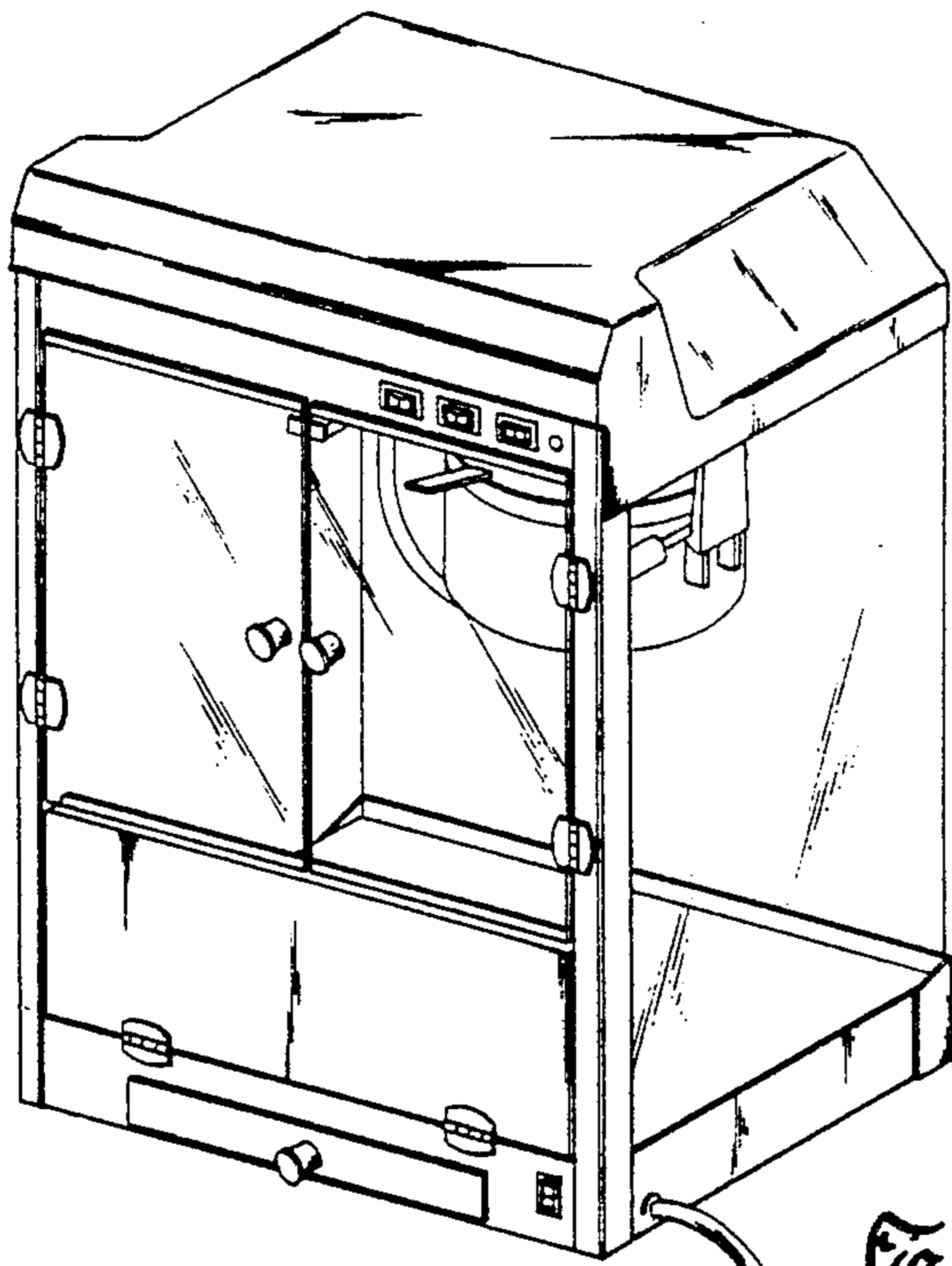


Fig. 1

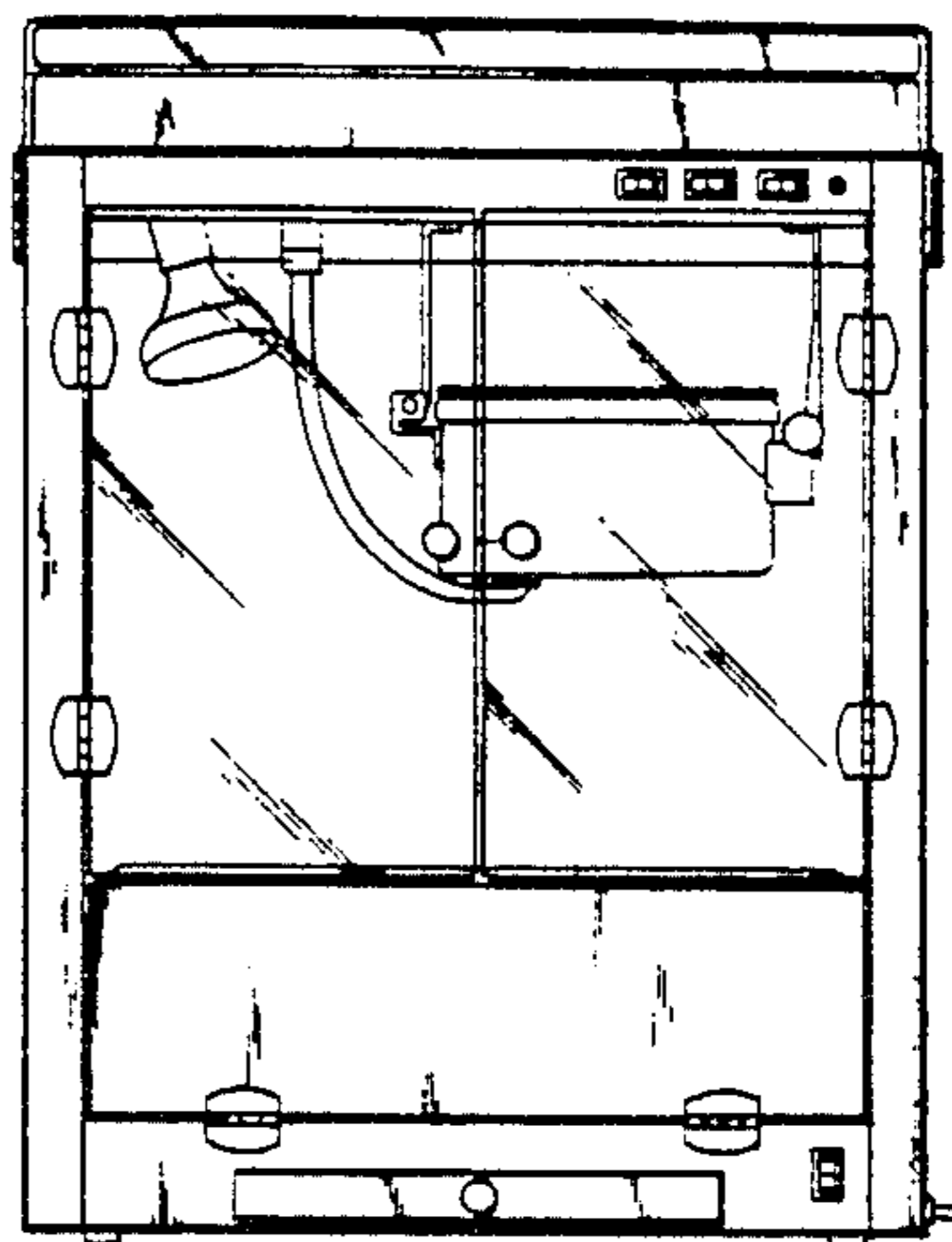


Fig. 2

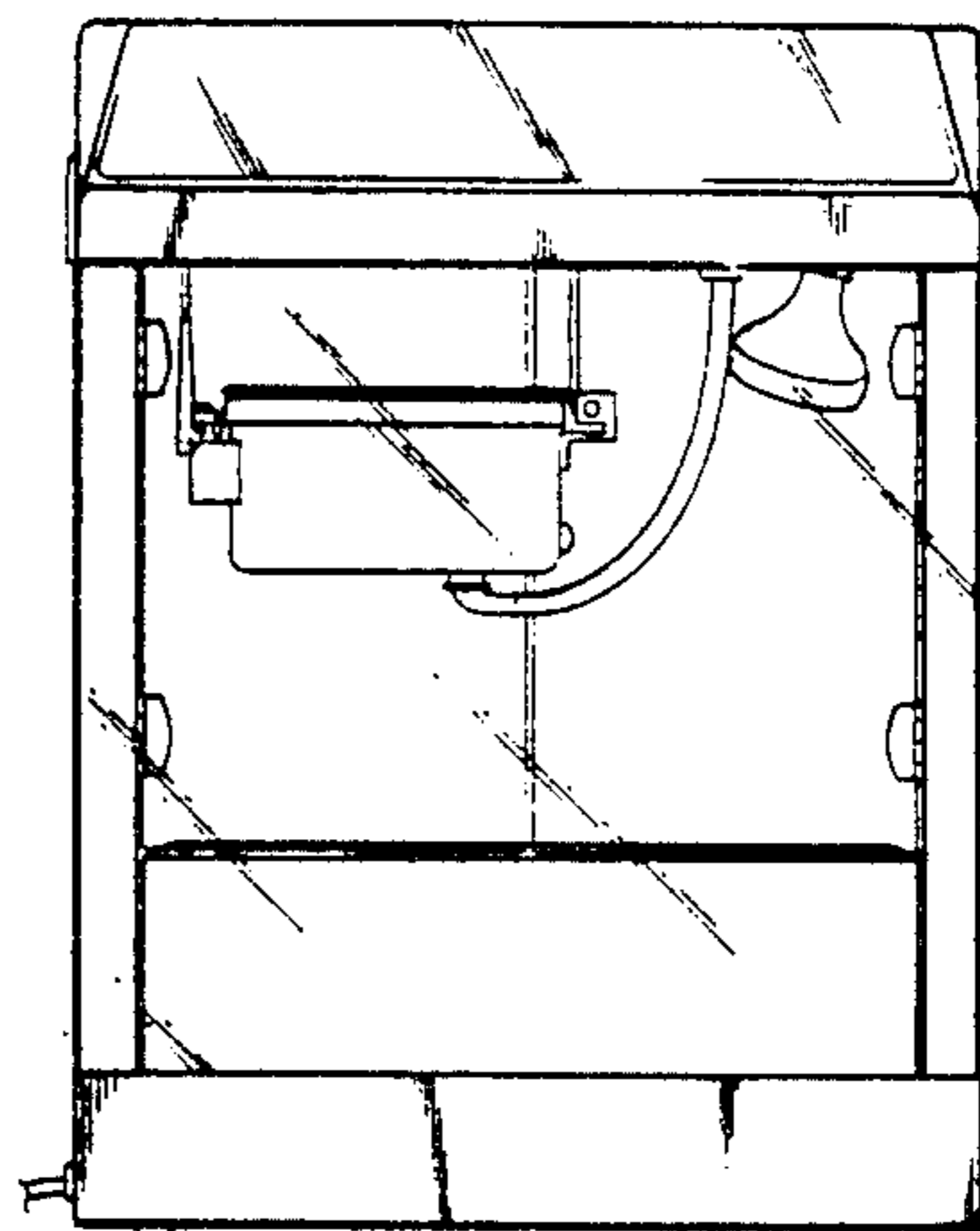


Fig. 3

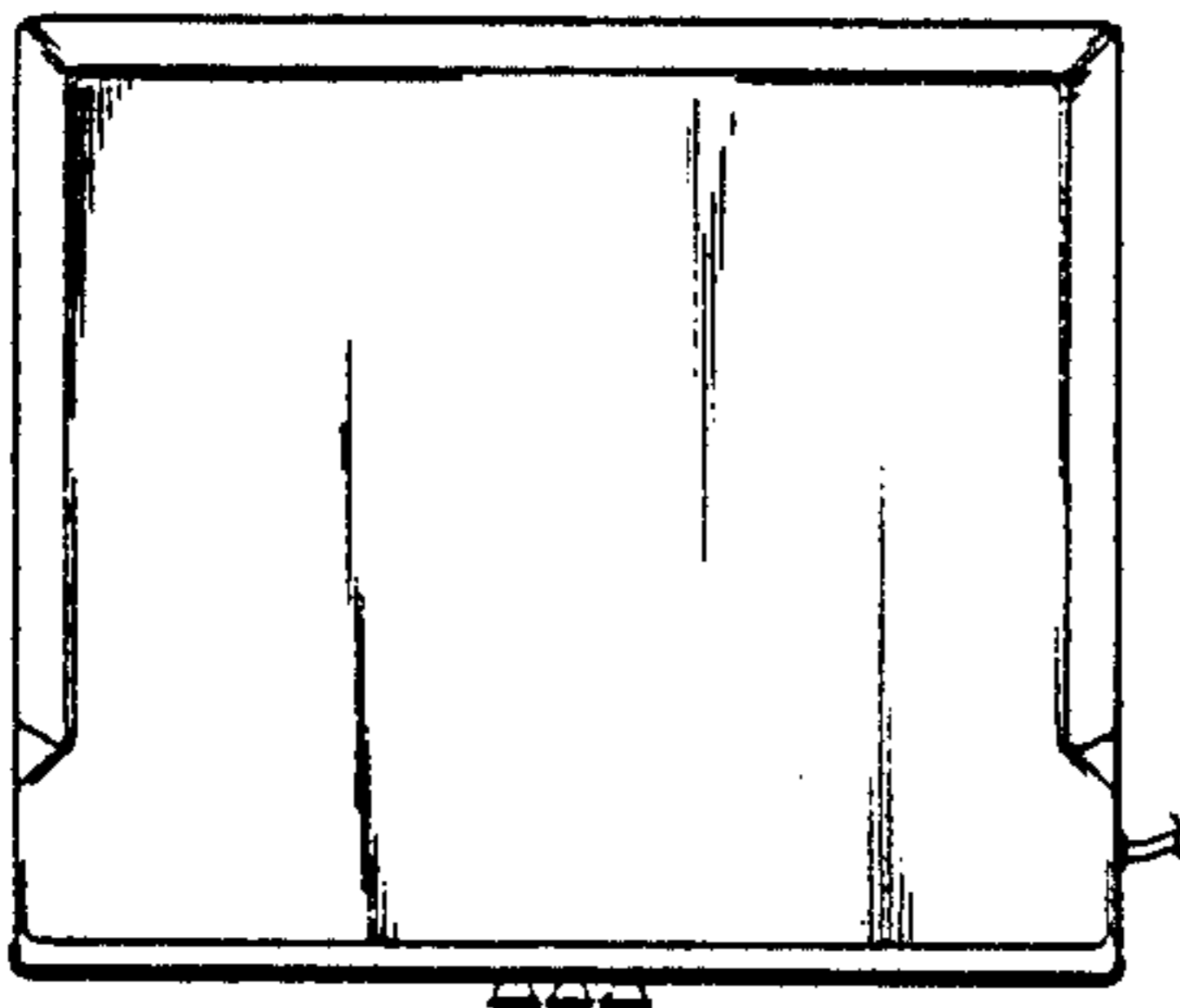


Fig. 4

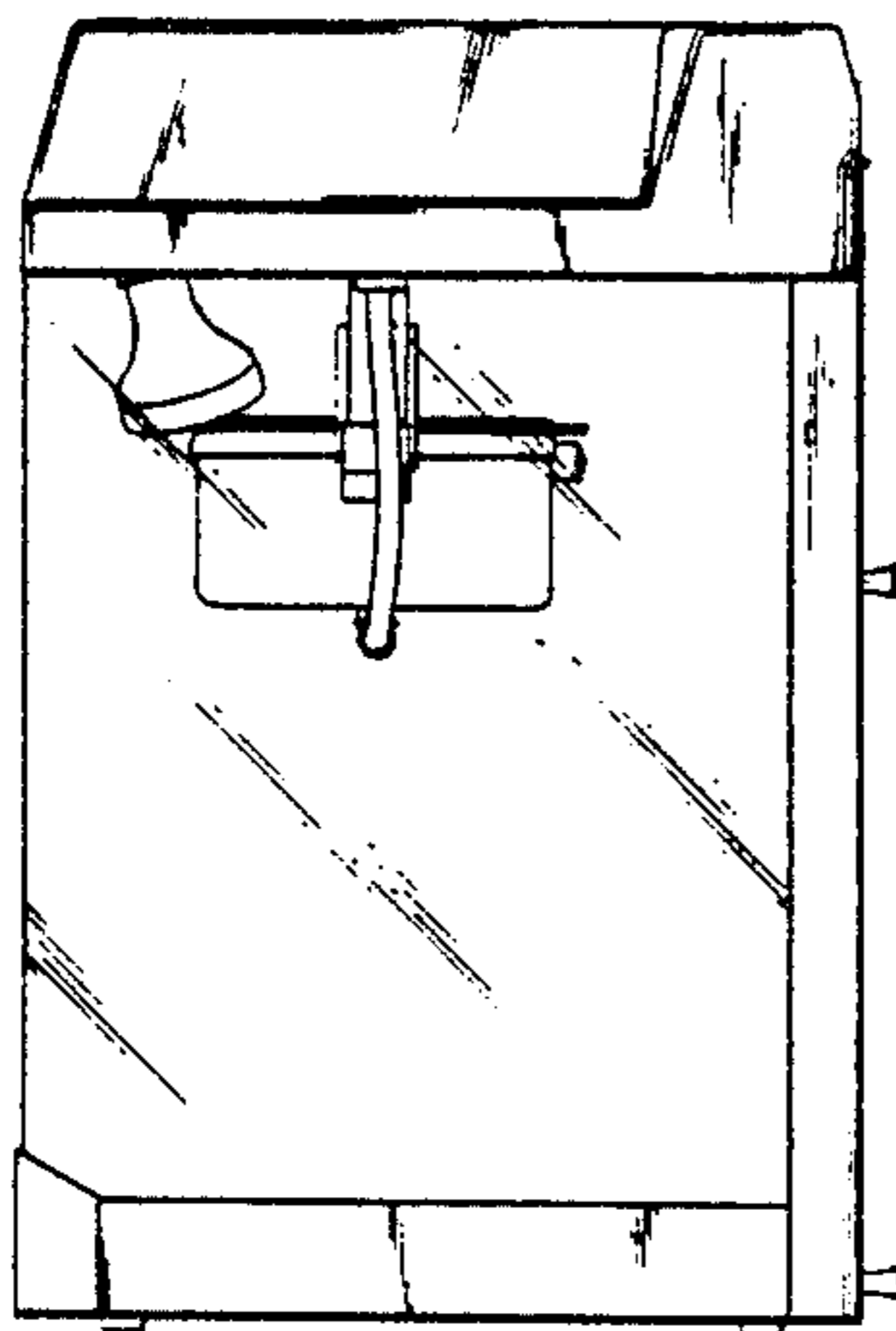


Fig. 5

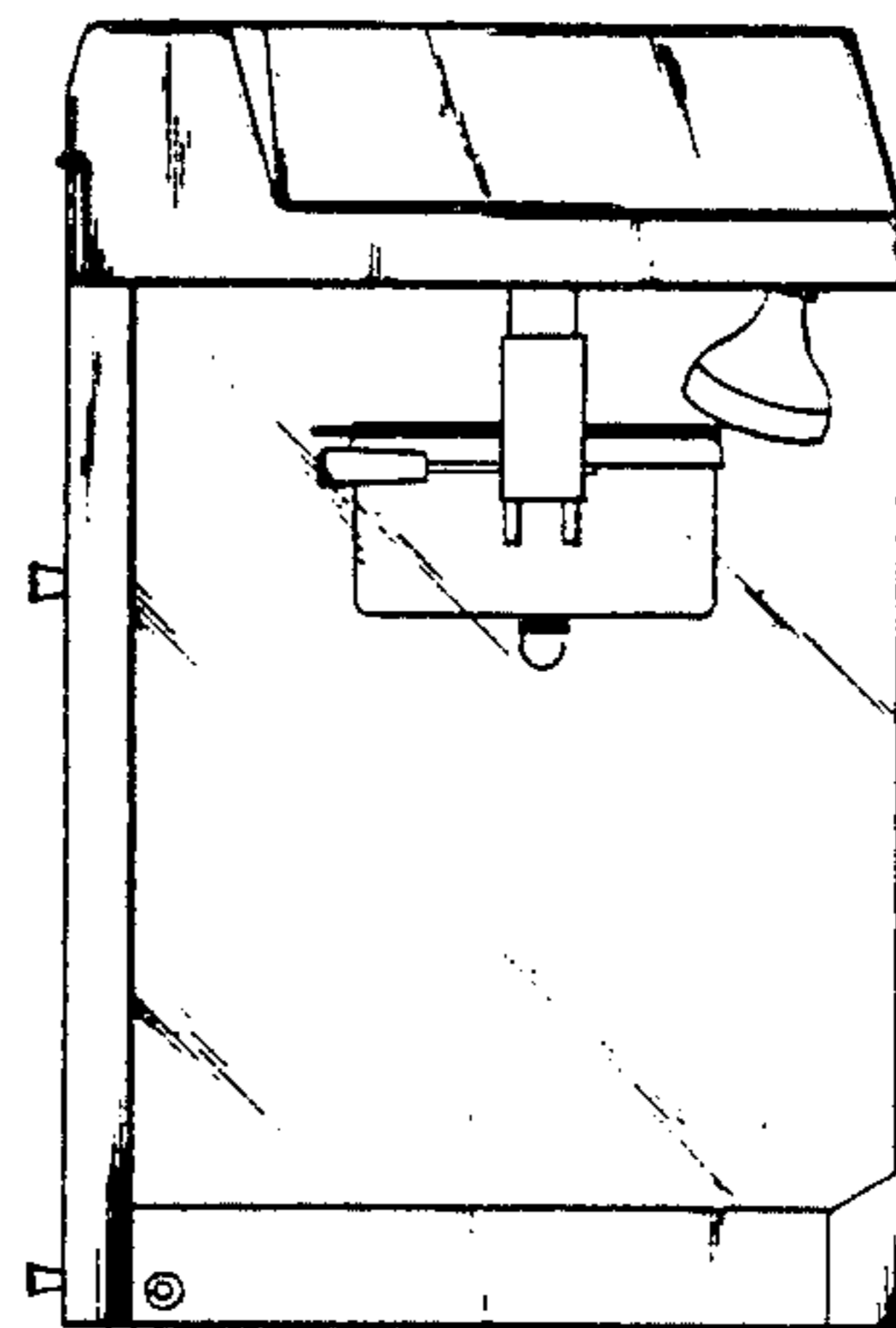


Fig. 6