

[54] DISPENSING FUNNEL FOR MELTED CANDY

[75] Inventor: Ralph R. Burin, Glen Ellyn, Ill.

[73] Assignee: Wilton Enterprises, Inc., Woodridge, Ill.

[**] Term: 14 Years

[21] Appl. No.: 446,349

[22] Filed: Dec. 2, 1982

[52] U.S. Cl. D7/312

[58] Field of Search D7/58, 52, 47, 68, 312; 141/331, 344, 345; 222/460, 462, 471, 472, 473

[56] References Cited

U.S. PATENT DOCUMENTS

- D. 208,261 8/1967 Alkonis D7/58
- 1,094,350 4/1914 Walter 222/472

- 1,237,800 8/1917 Melchiori 222/472
- 1,568,504 1/1926 Duggan 222/473
- 3,150,802 9/1964 Pribyl D7/52 X
- 3,260,419 7/1966 Weimer et al. D7/52 X

Primary Examiner—Bernard Ansher

Assistant Examiner—Linda Titolo

[57] CLAIM

The ornamental design for a dispensing funnel for melted candy, as shown.

DESCRIPTION

FIG. 1 is a top perspective view of a dispensing funnel for melted candy showing my new design; FIG. 2 is a left side elevational view thereof; FIG. 3 is a top plan view thereof; FIG. 4 is a rear elevational view thereof; FIG. 5 is a front elevational view thereof; and FIG. 6 is a bottom plan view thereof.

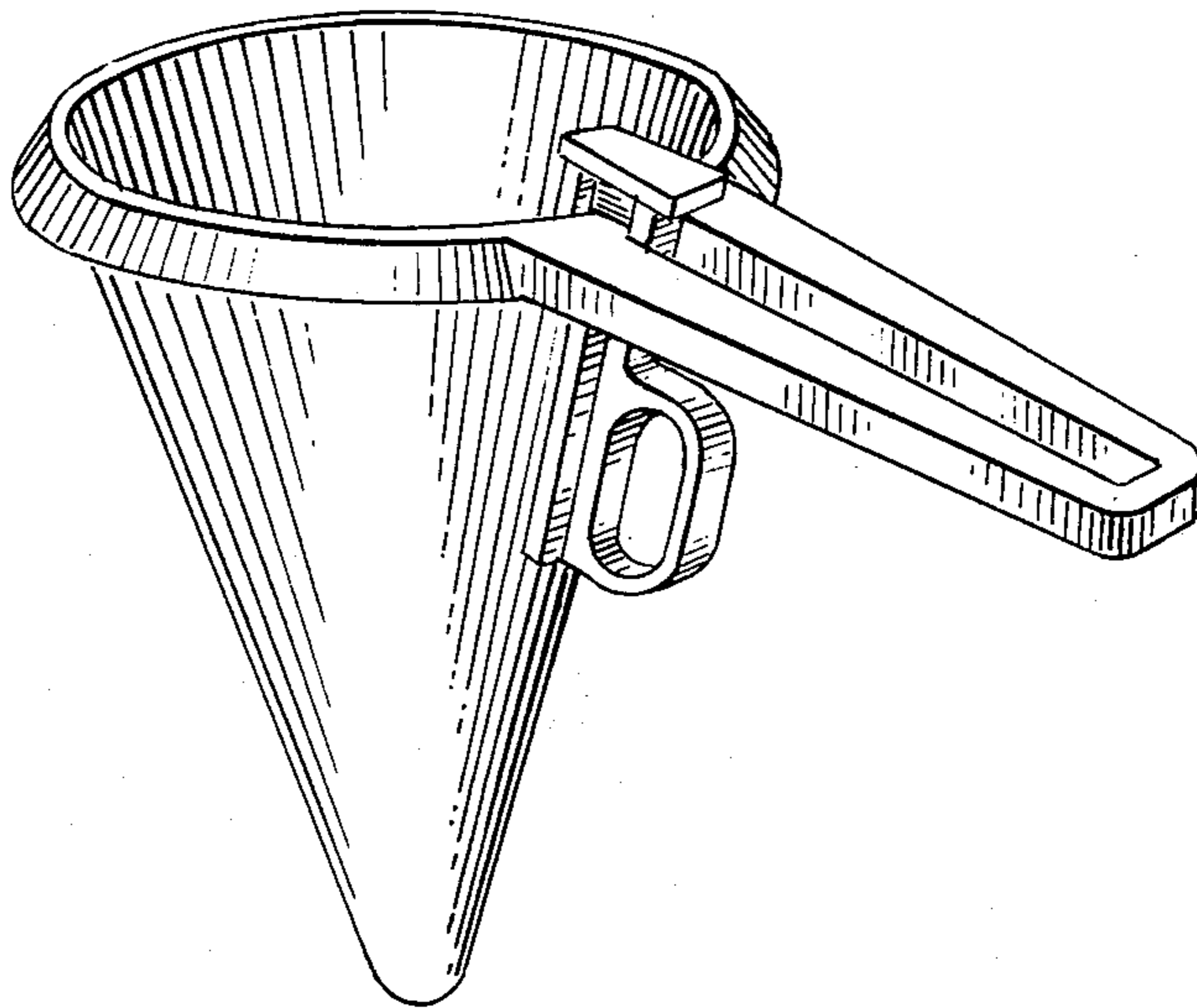


FIG. 1

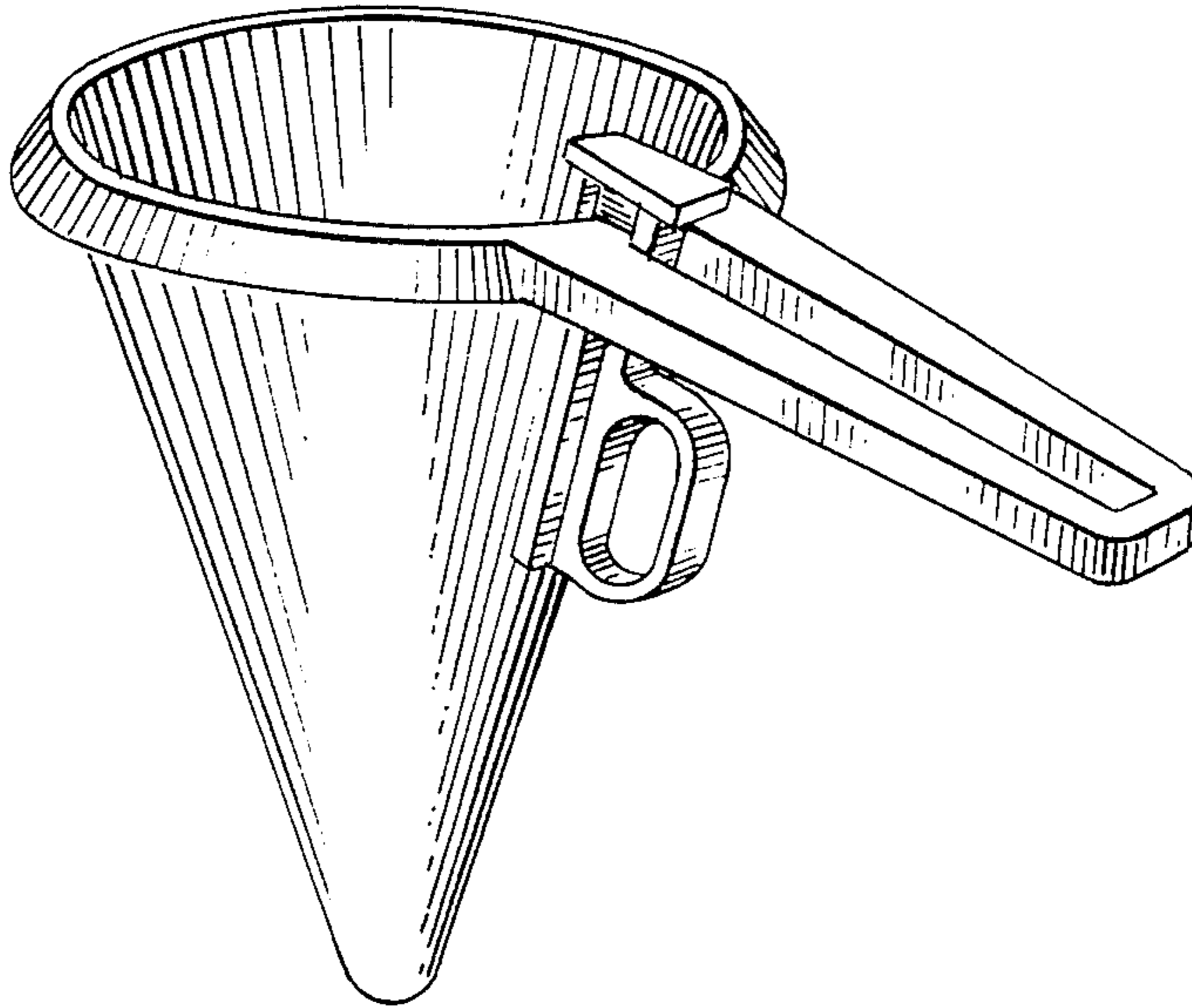
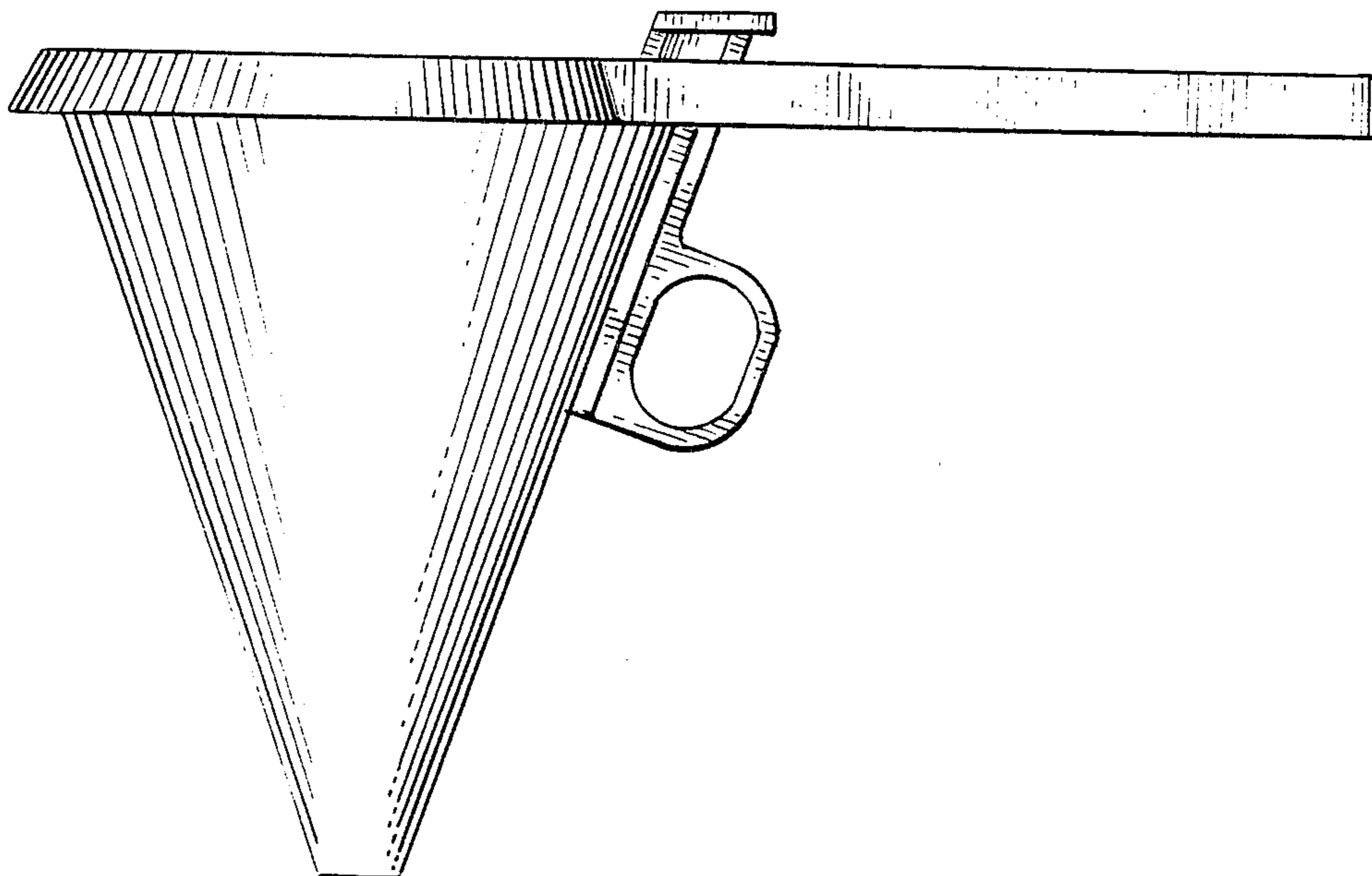


FIG. 2



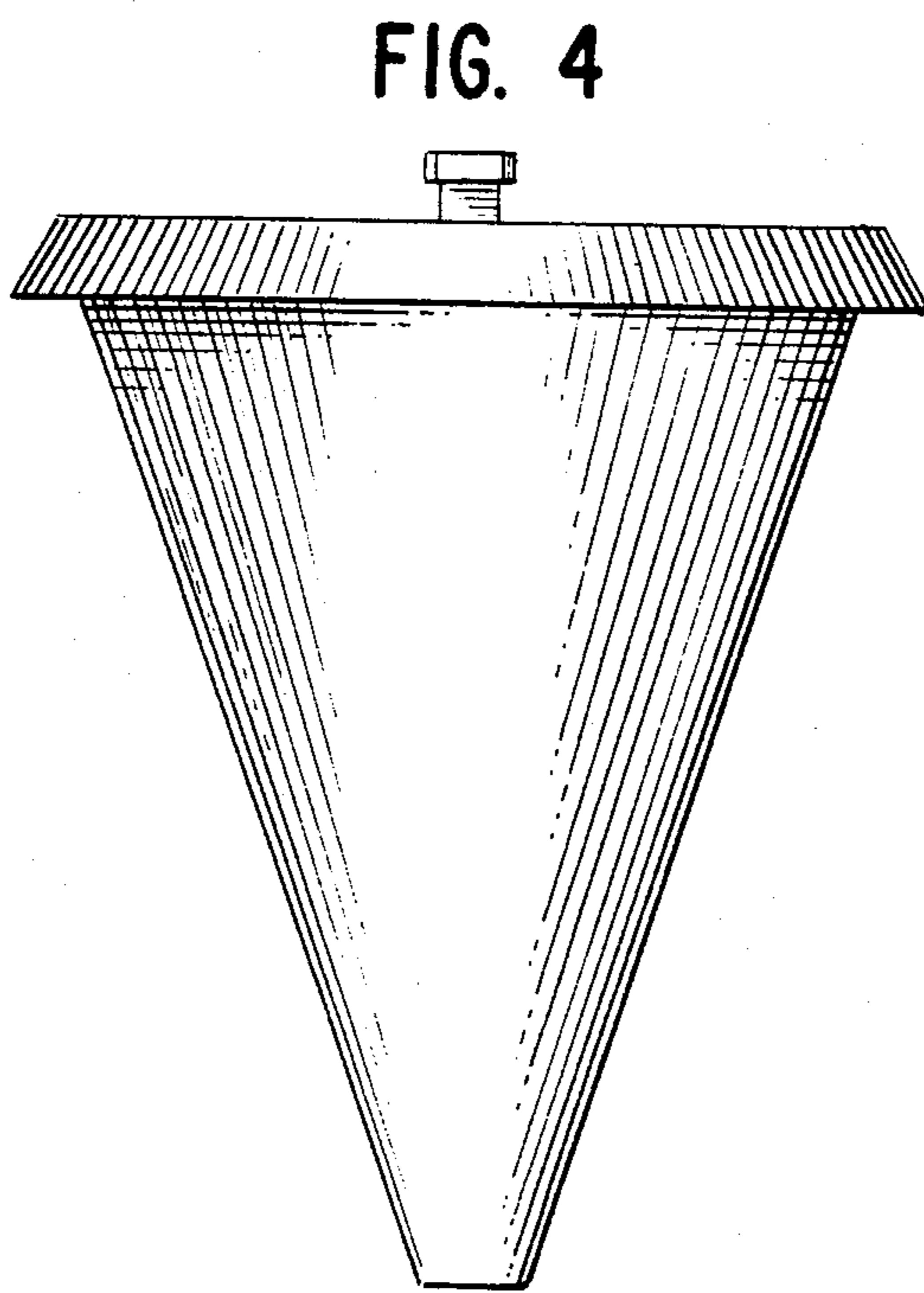
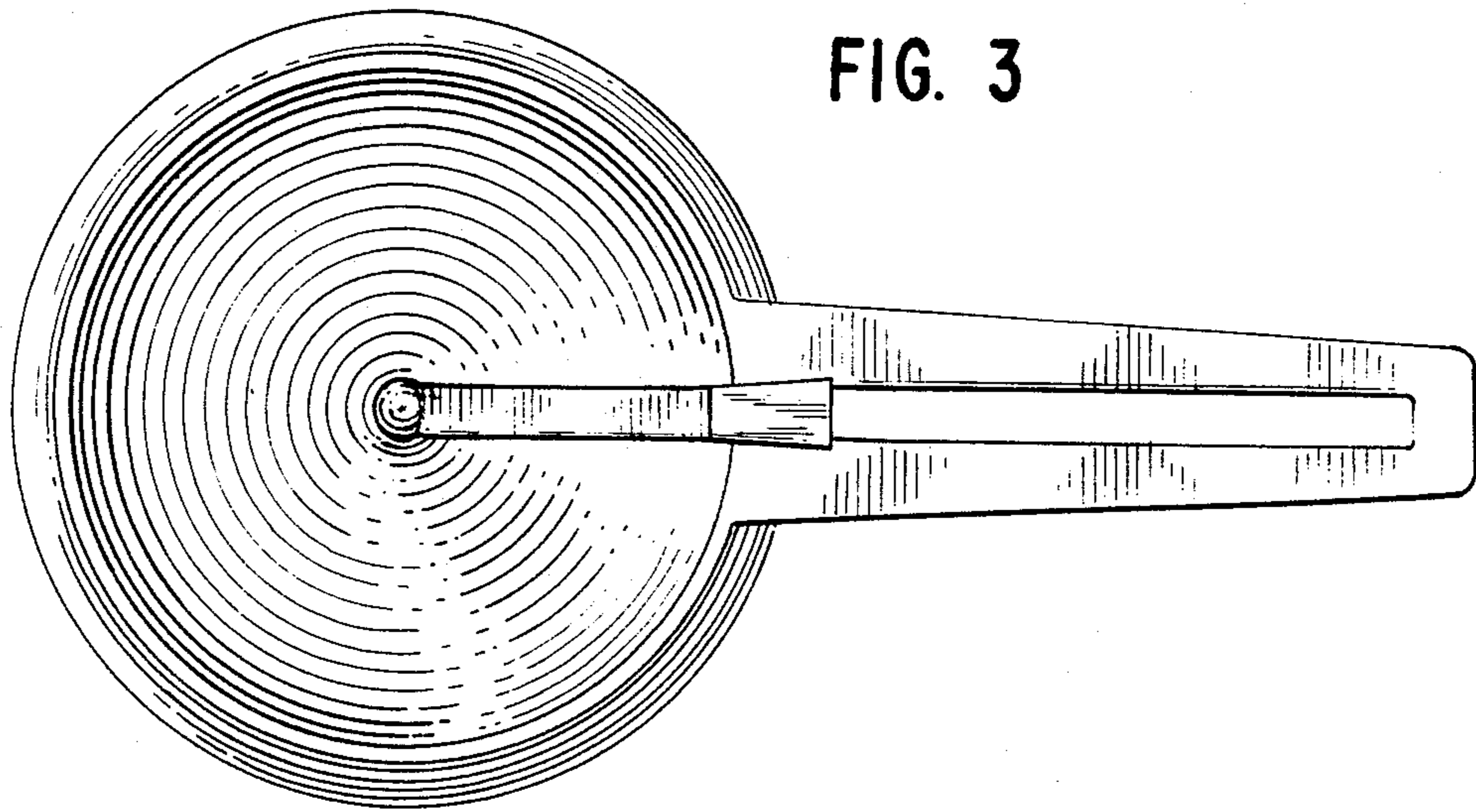


FIG. 5

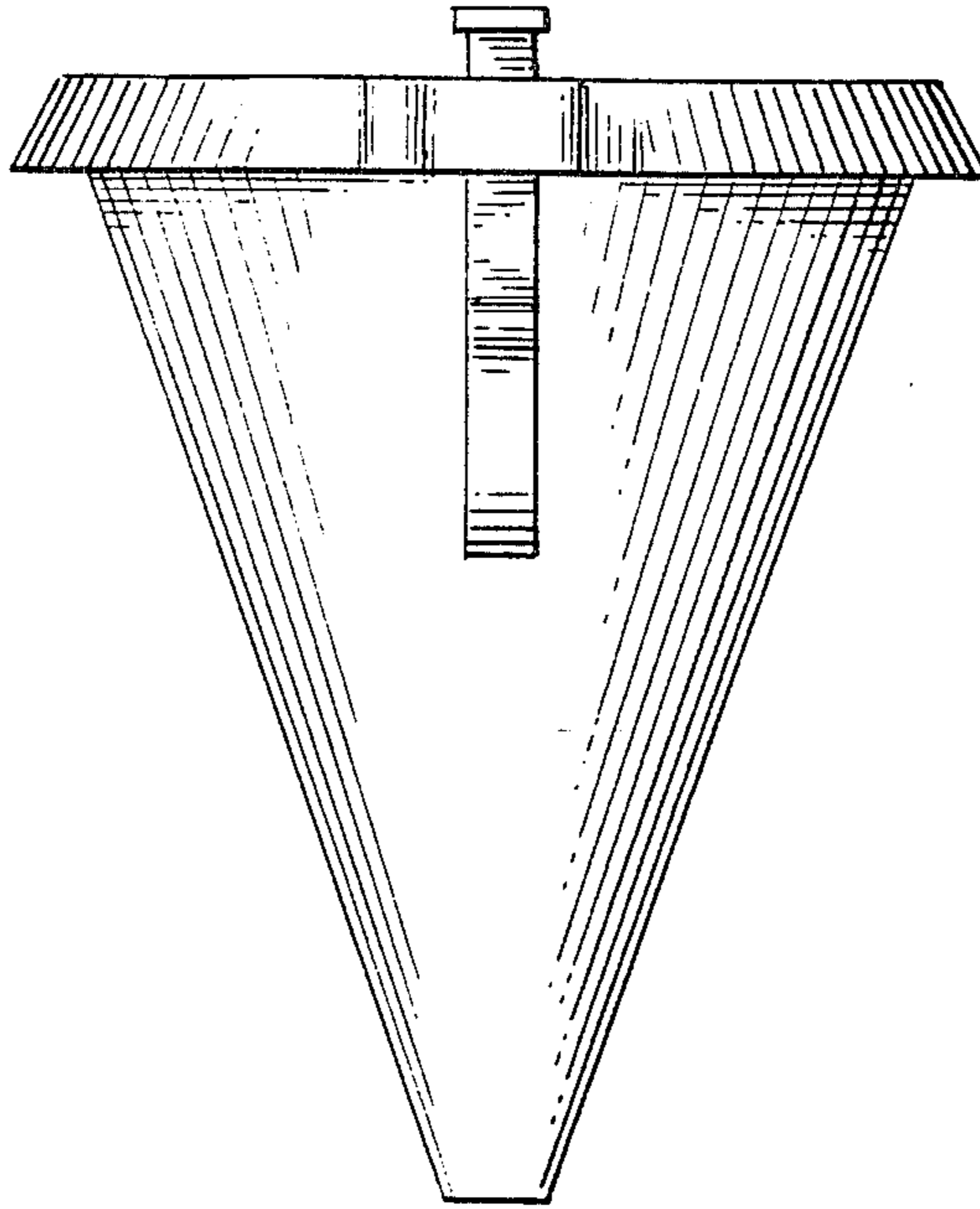


FIG. 6

