

[54] LIQUID DISPENSER

[76] Inventor: Joseph S. Kanfer, 2825 N. Walnut Ridge, Akron, Ohio 44313

[\*\*] Term: 14 Years

[21] Appl. No.: 499,314

[22] Filed: May 31, 1983

[52] U.S. Cl. .... D6/545; D6/542

[58] Field of Search ..... D6/542, 545, 553; 222/173, 180, 181, 156, 159, 215; 221/282; D9/300

[56] References Cited

U.S. PATENT DOCUMENTS

- D. 228,105 8/1973 Cook ..... D6/543
- D. 235,290 6/1975 Corris ..... D6/542
- D. 235,598 7/1975 Peterson ..... D6/543

- D. 267,454 1/1985 Fine ..... D6/542
- D. 272,988 3/1984 Podall et al. .... D9/300

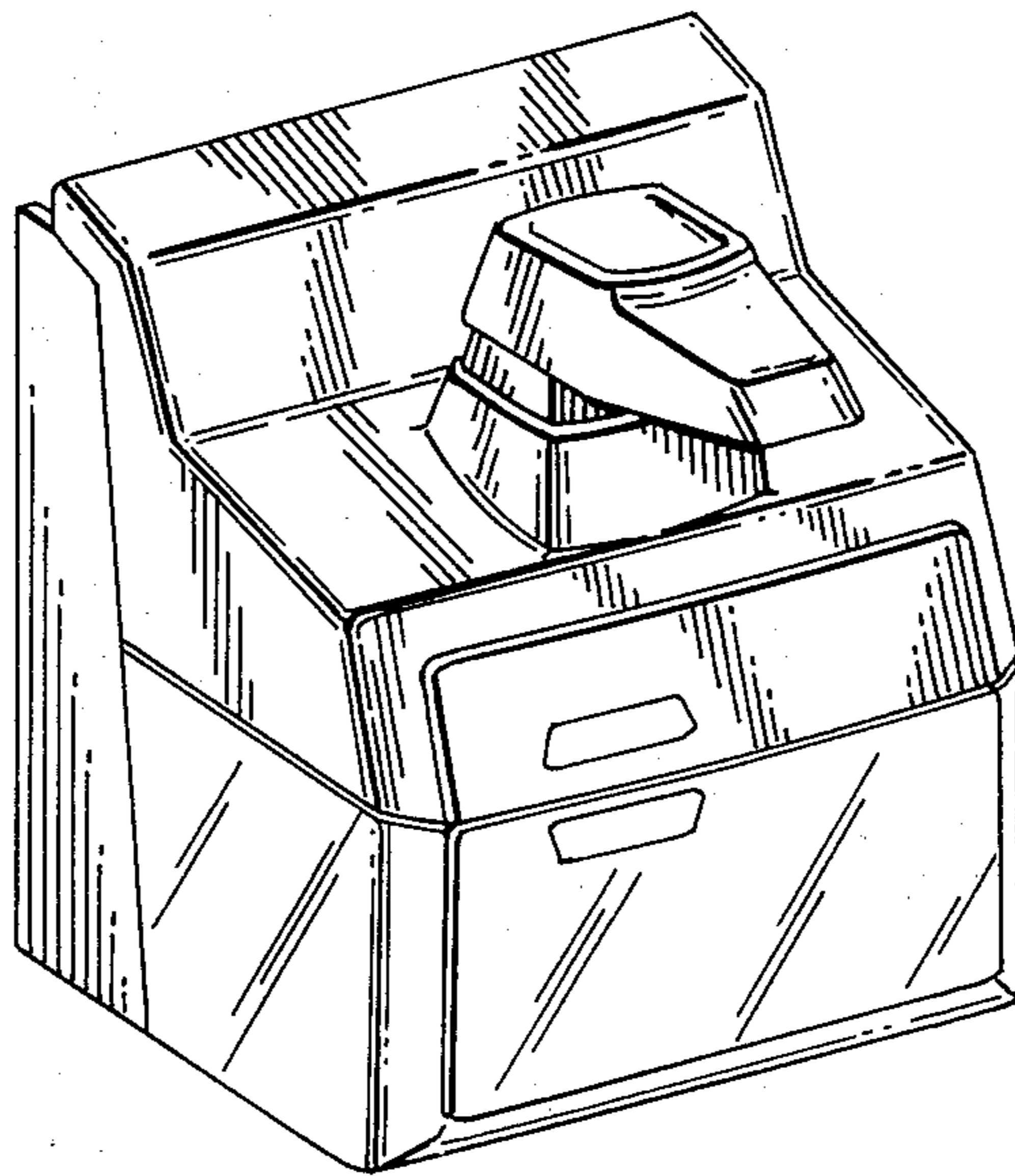
Primary Examiner—B. J. Bullock  
Assistant Examiner—Suzanne N. Gitlin  
Attorney, Agent, or Firm—Reese Taylor

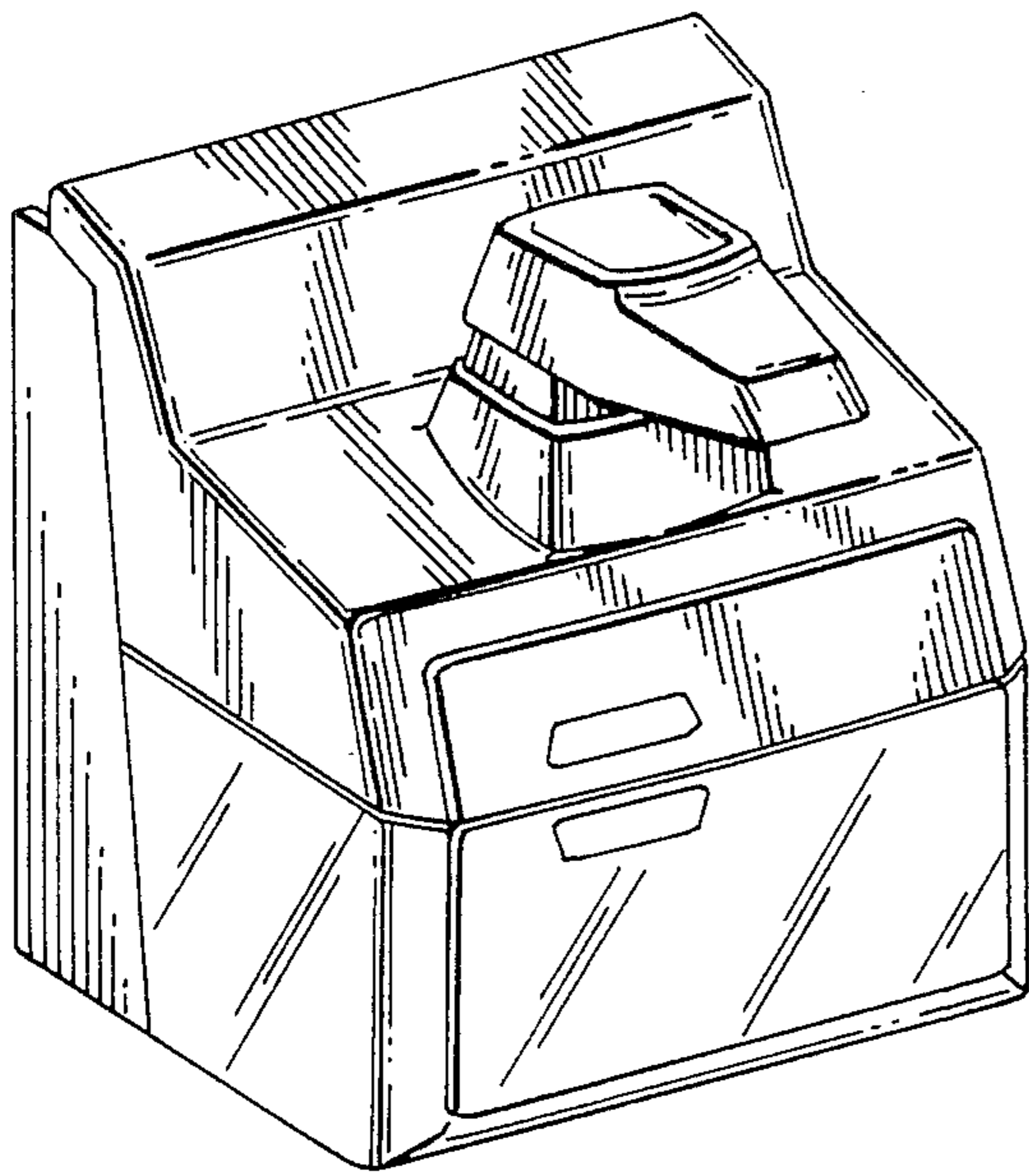
[57] CLAIM

The ornamental design for a liquid dispenser, as shown and described.

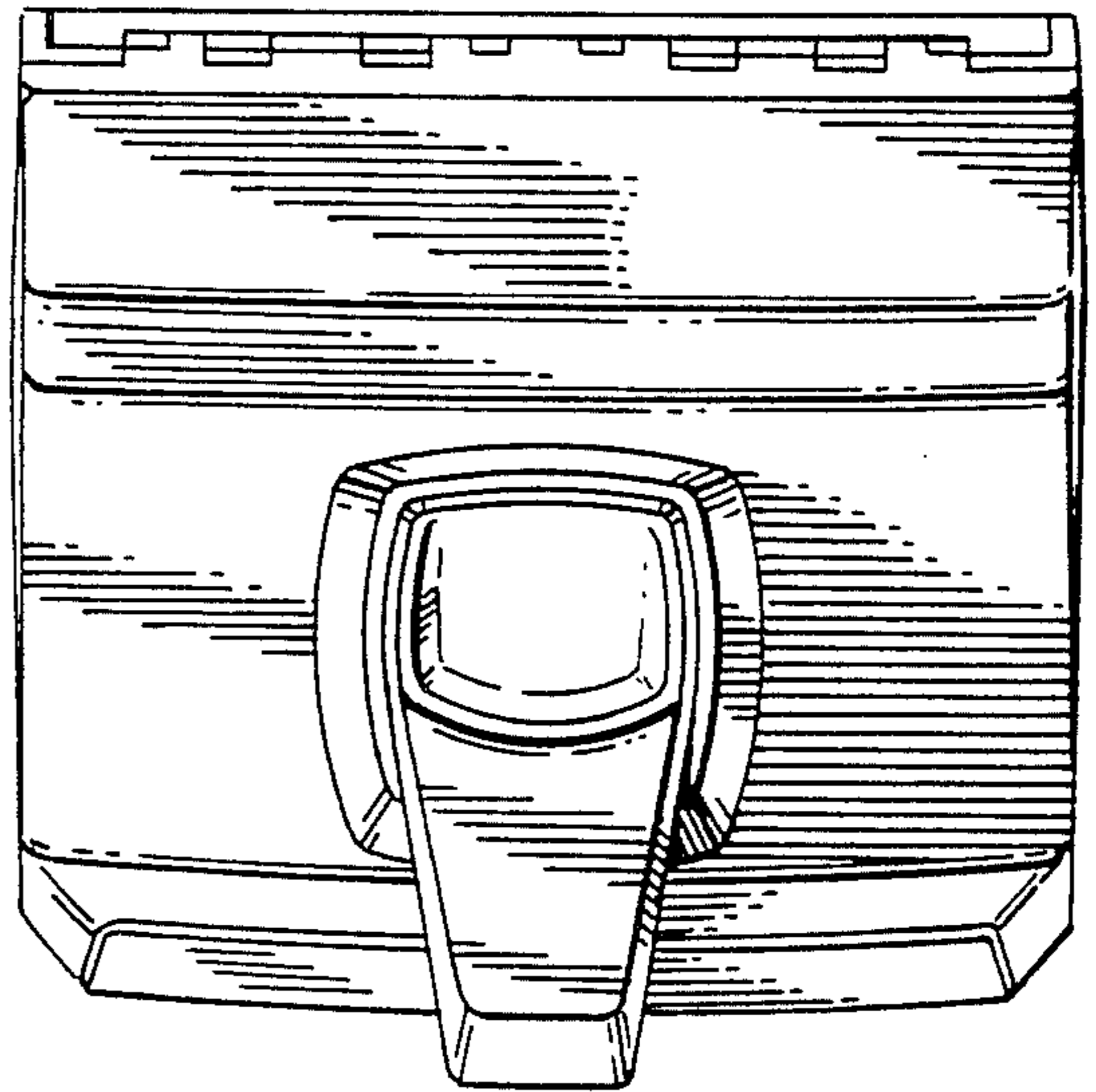
DESCRIPTION

FIG. 1 is a perspective view of a liquid dispenser showing my new design;  
FIG. 2 is a top plan view thereof;  
FIG. 3 is a front elevational view thereof;  
FIG. 4 is a side elevational view from the left of FIG. 3; the opposed side is a mirror image thereof;  
FIG. 5 is a rear elevational view thereof;  
FIG. 6 is a bottom plan view.

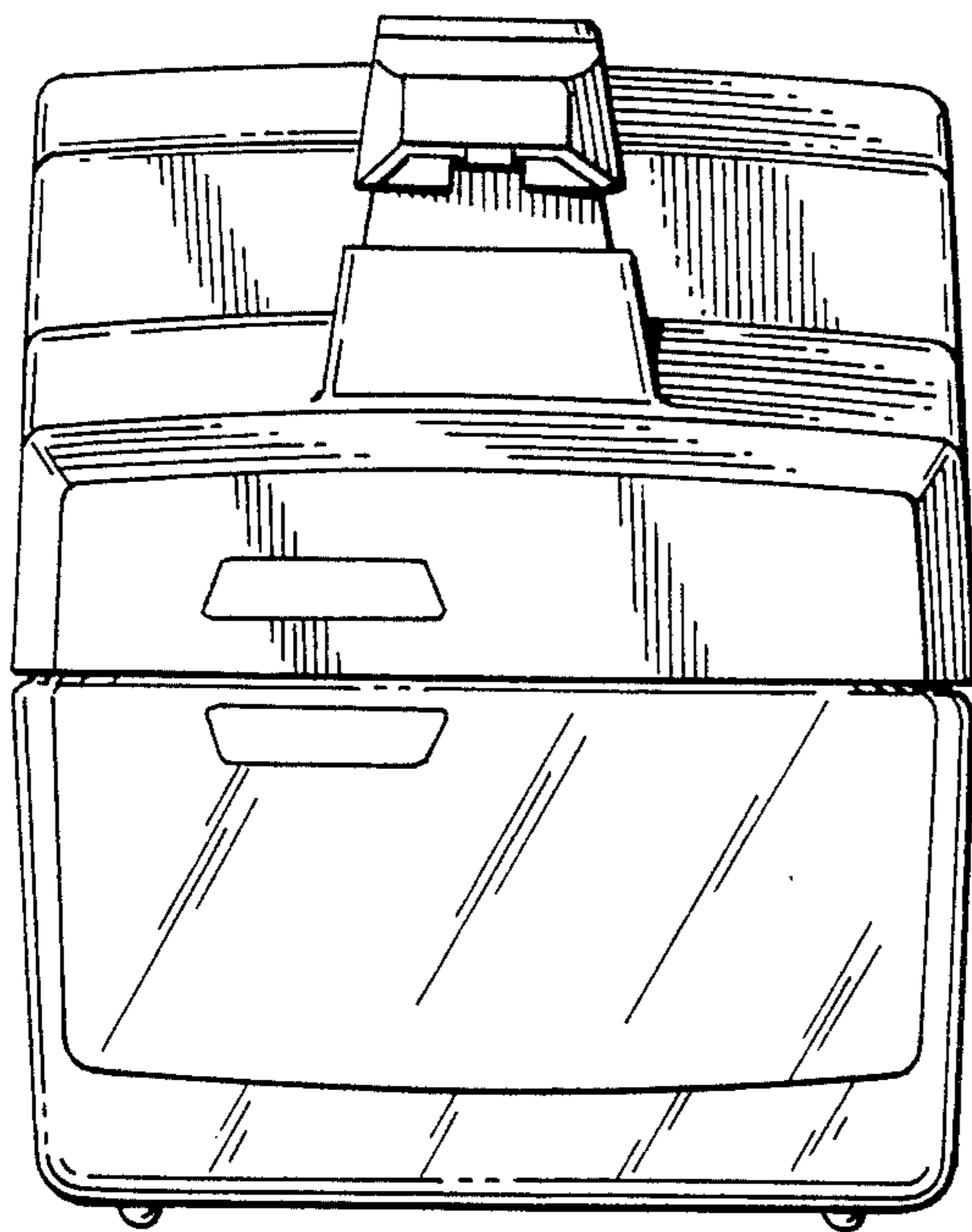




*FIG. 1*



*FIG. 2*



*FIG. 3*

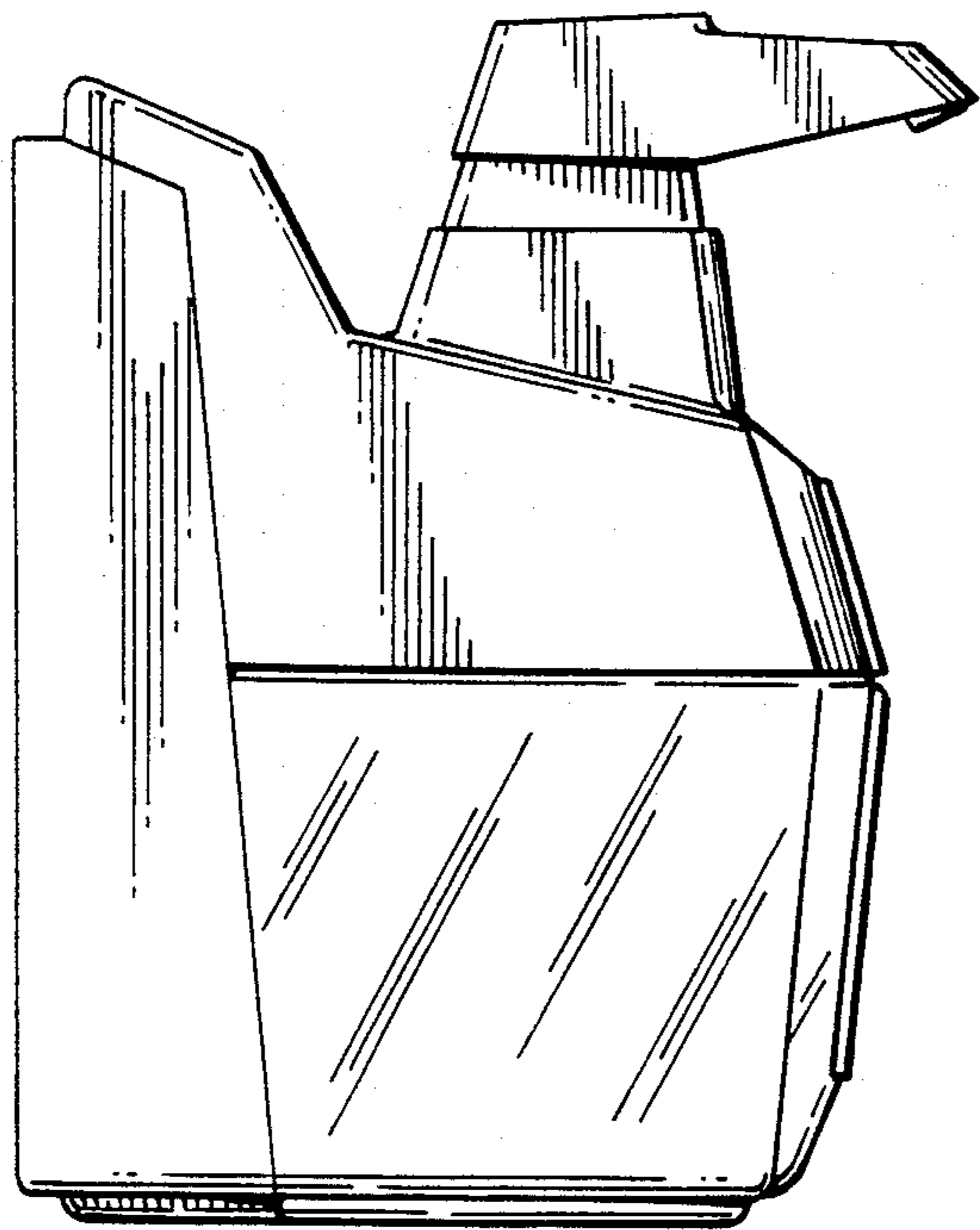


FIG. 4

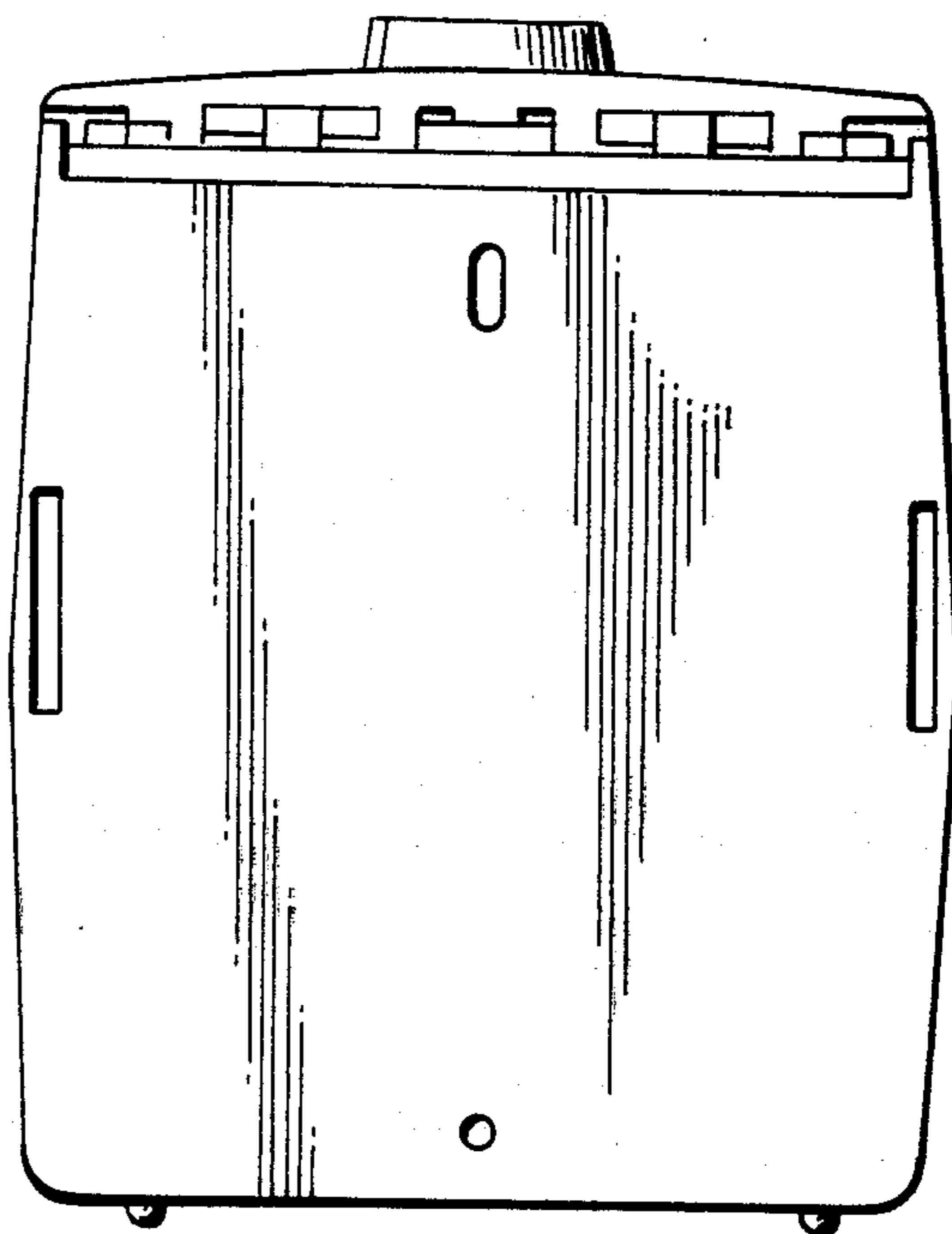


FIG. 5

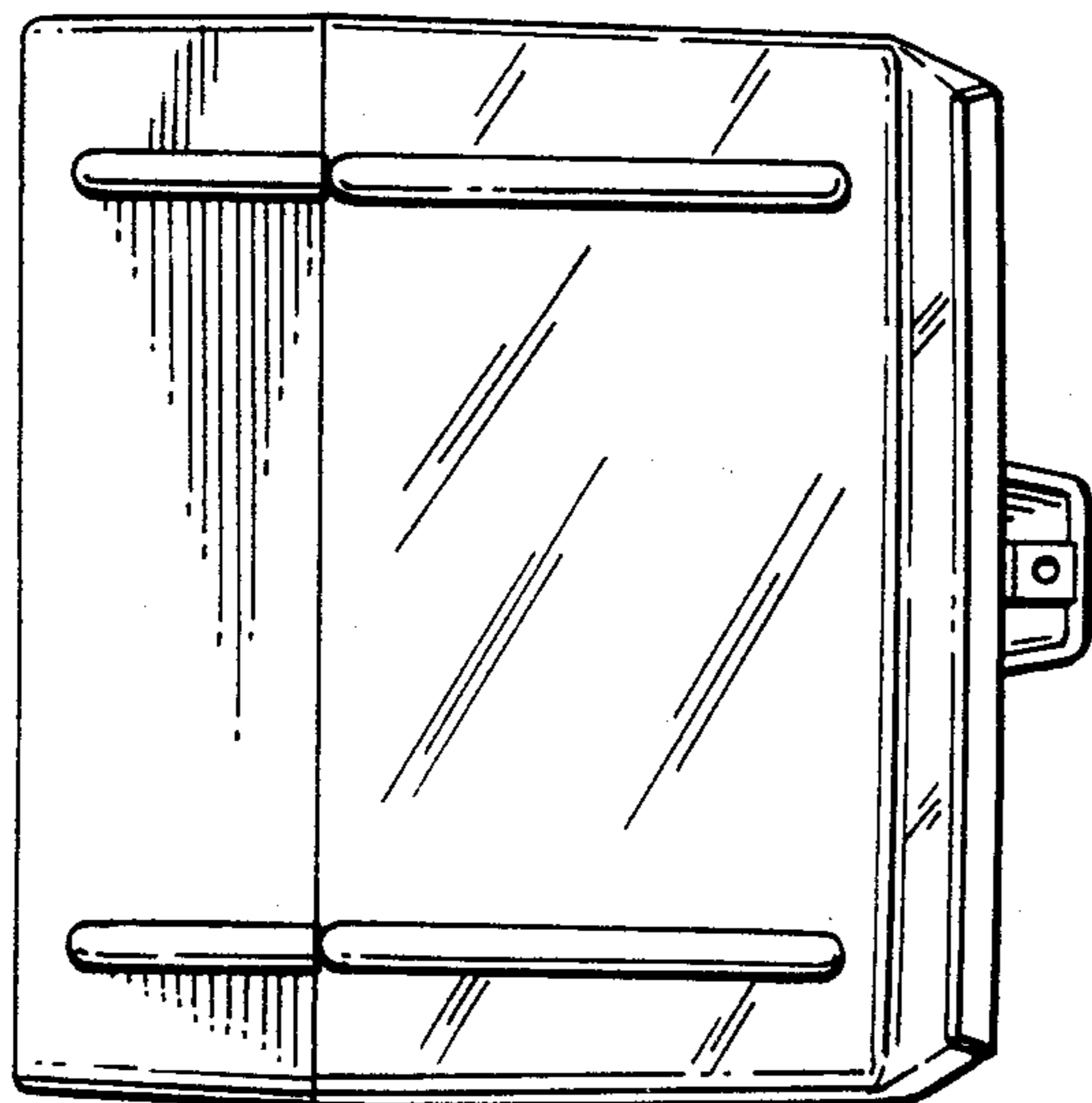


FIG. 6