

[54] TABLE

[76] Inventor: Paul Tekel, 515 SW. 62nd Ave.,
Plantation, Fla. 33317

[**] Term: 14 Years

[21] Appl. No.: 427,749

[22] Filed: Sep. 29, 1982

[52] U.S. Cl. D6/482

[58] Field of Search D6/27, 146-149,
D6/175, 177-179

[56] References Cited

U.S. PATENT DOCUMENTS

D. 114,306	4/1939	Hokstad	D6/85
D. 236,062	7/1975	Winston	D6/201
D. 242,388	11/1976	Castleberry	D6/201 X
D. 248,697	8/1978	Miller	D6/146 X

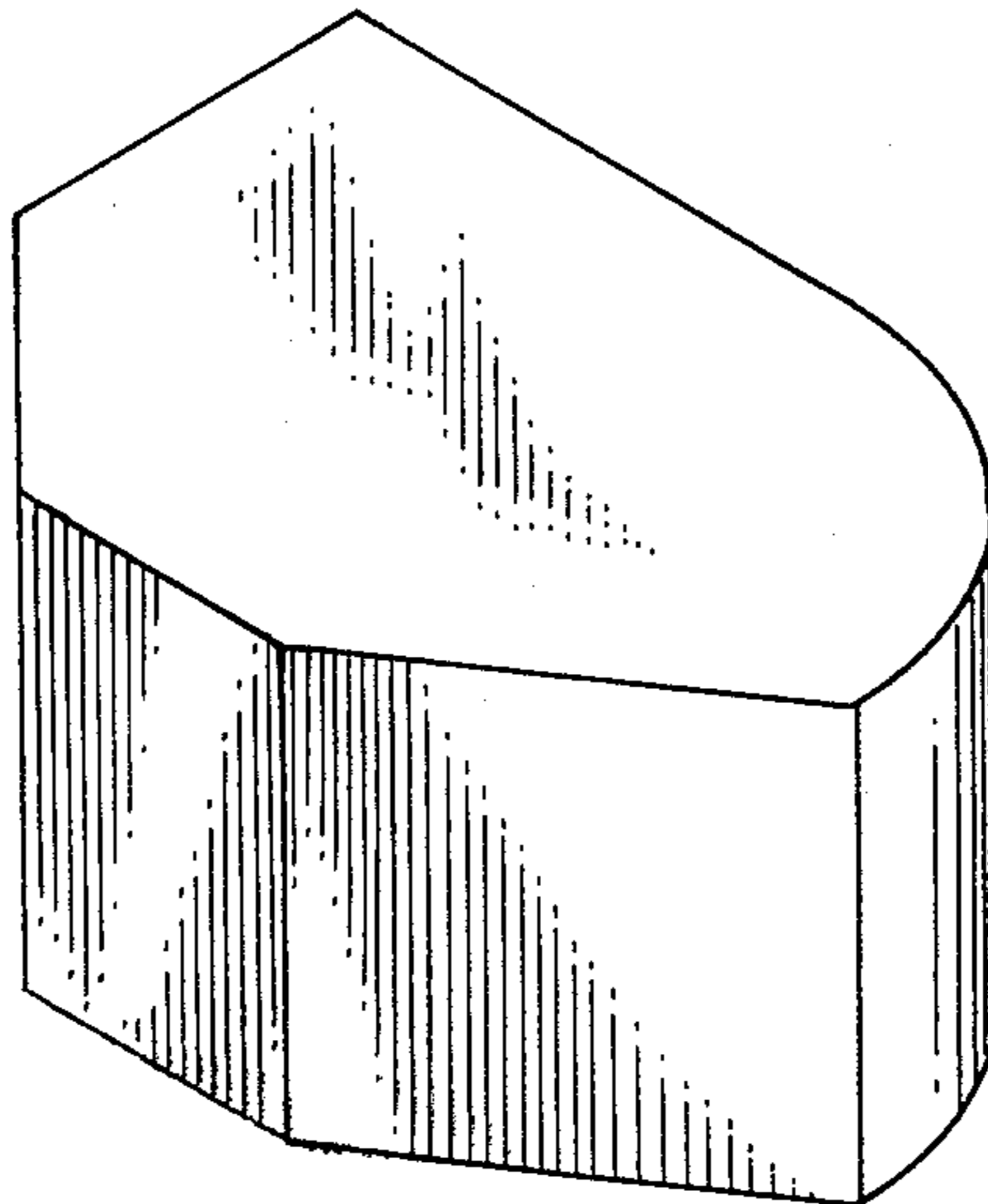
Primary Examiner—Bruce W. Dunkins
Attorney, Agent, or Firm—Eugene F. Malin

[57] CLAIM

The ornamental design for table, as shown and described.

DESCRIPTION

FIG. 1 is a top view of the table shown in FIG. 8;
 FIG. 2 is a front view of the table shown in FIG. 8;
 FIG. 3 is a right side view of the table in FIG. 8;
 FIG. 4 is a rear view of the table in FIG. 8;
 FIG. 5 is a rear forty-five degree side view of the table in FIG. 8;
 FIG. 6 is a left side view of the table in FIG. 8;
 FIG. 7 is a front forty-five degree side view of the table in FIG. 8;
 FIG. 8 is an isometric view of the table.



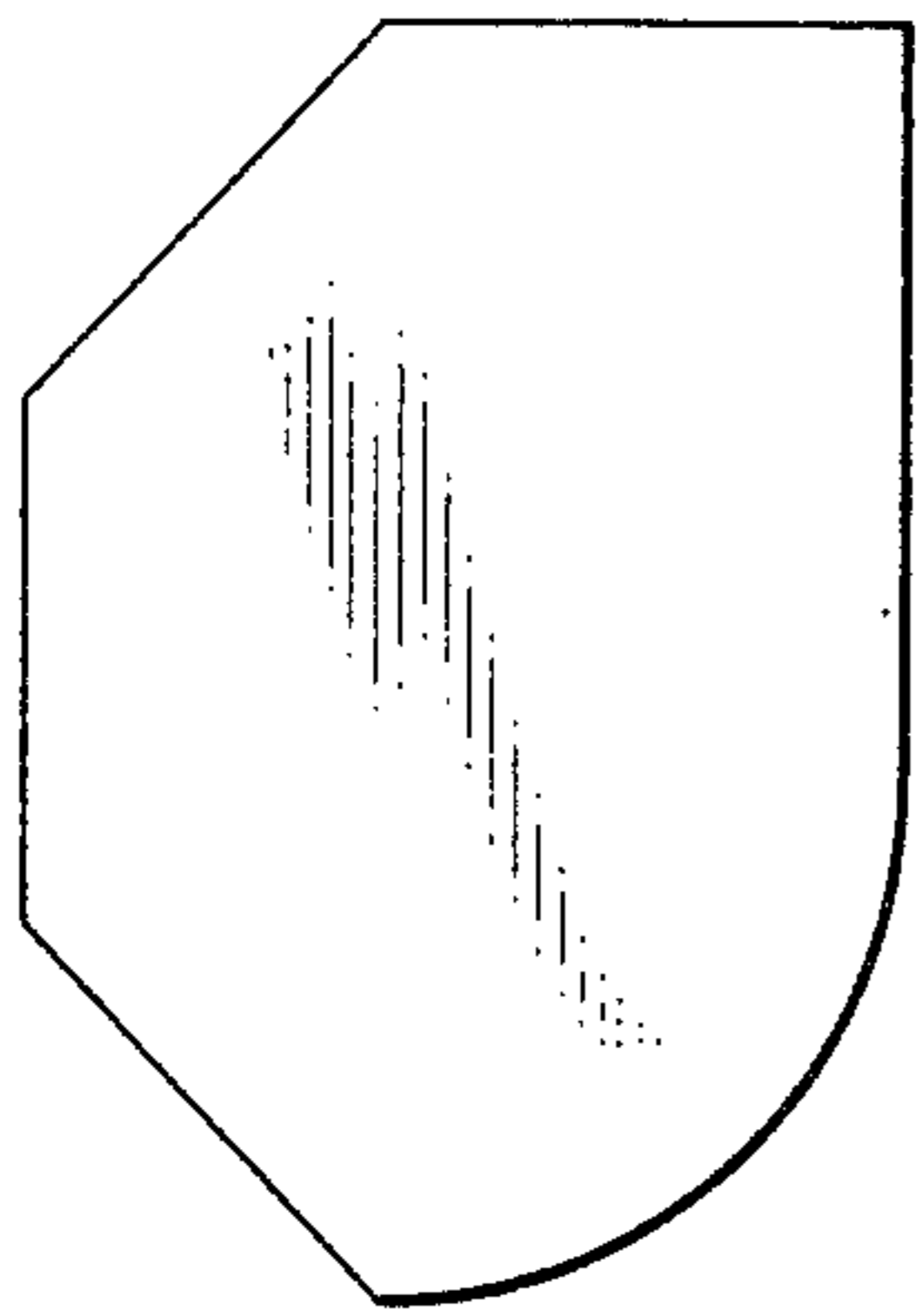


FIG. 1

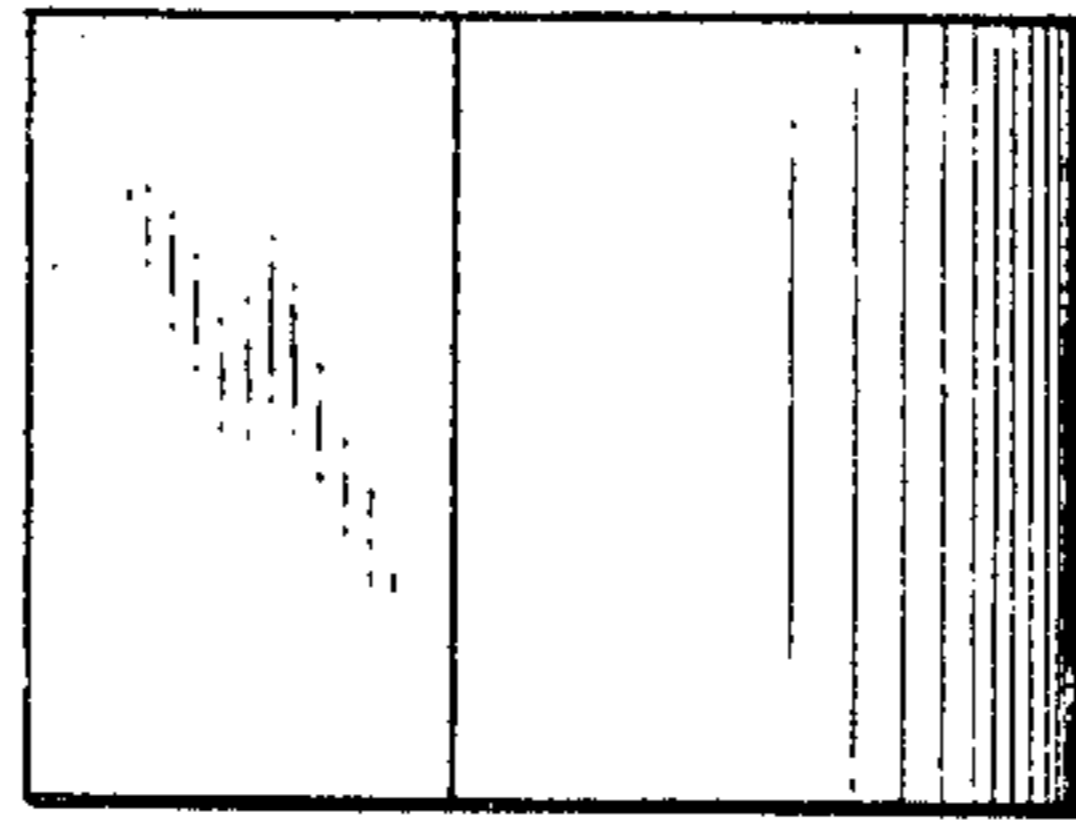


FIG. 2

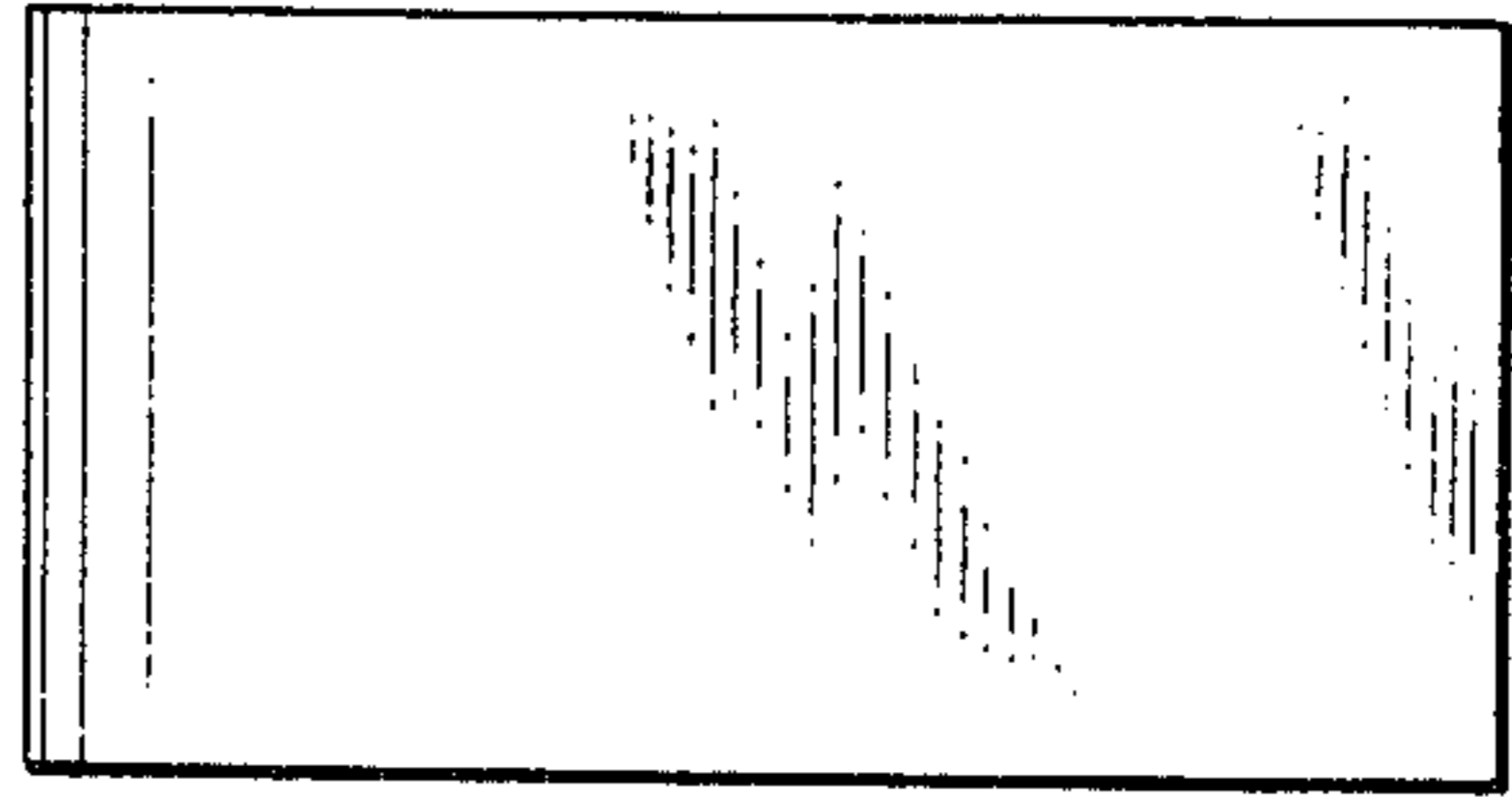


FIG. 3

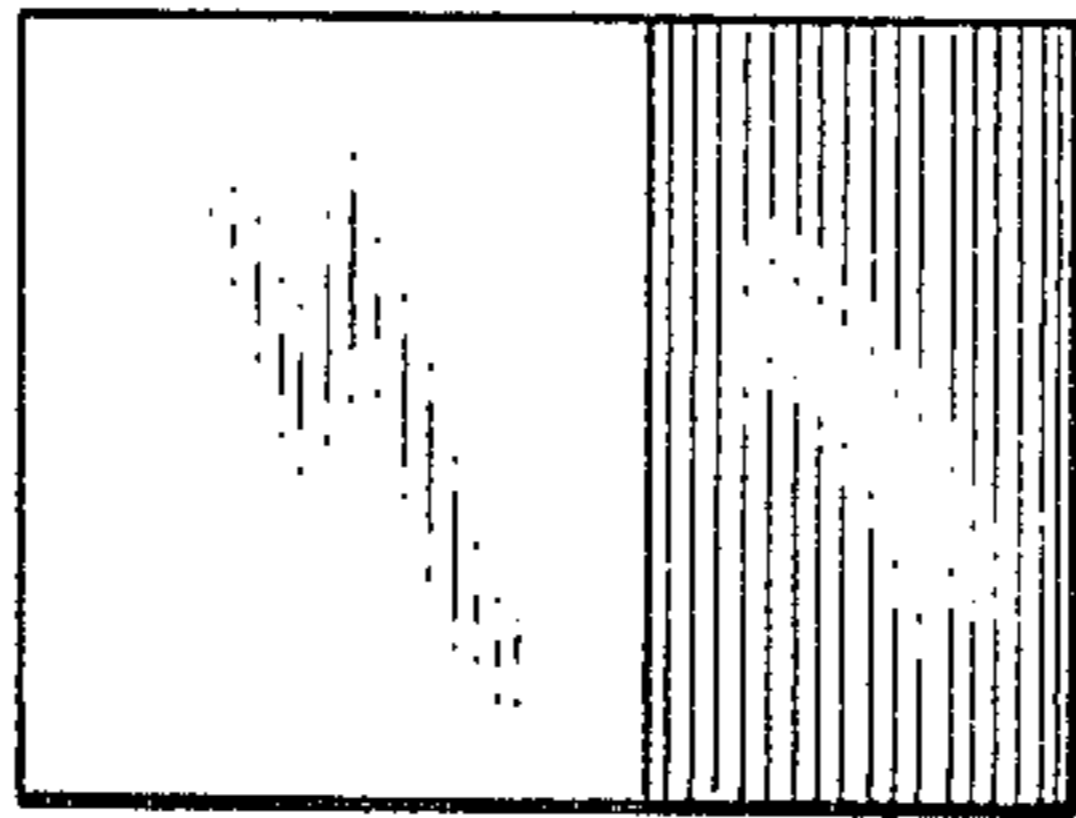


FIG. 4

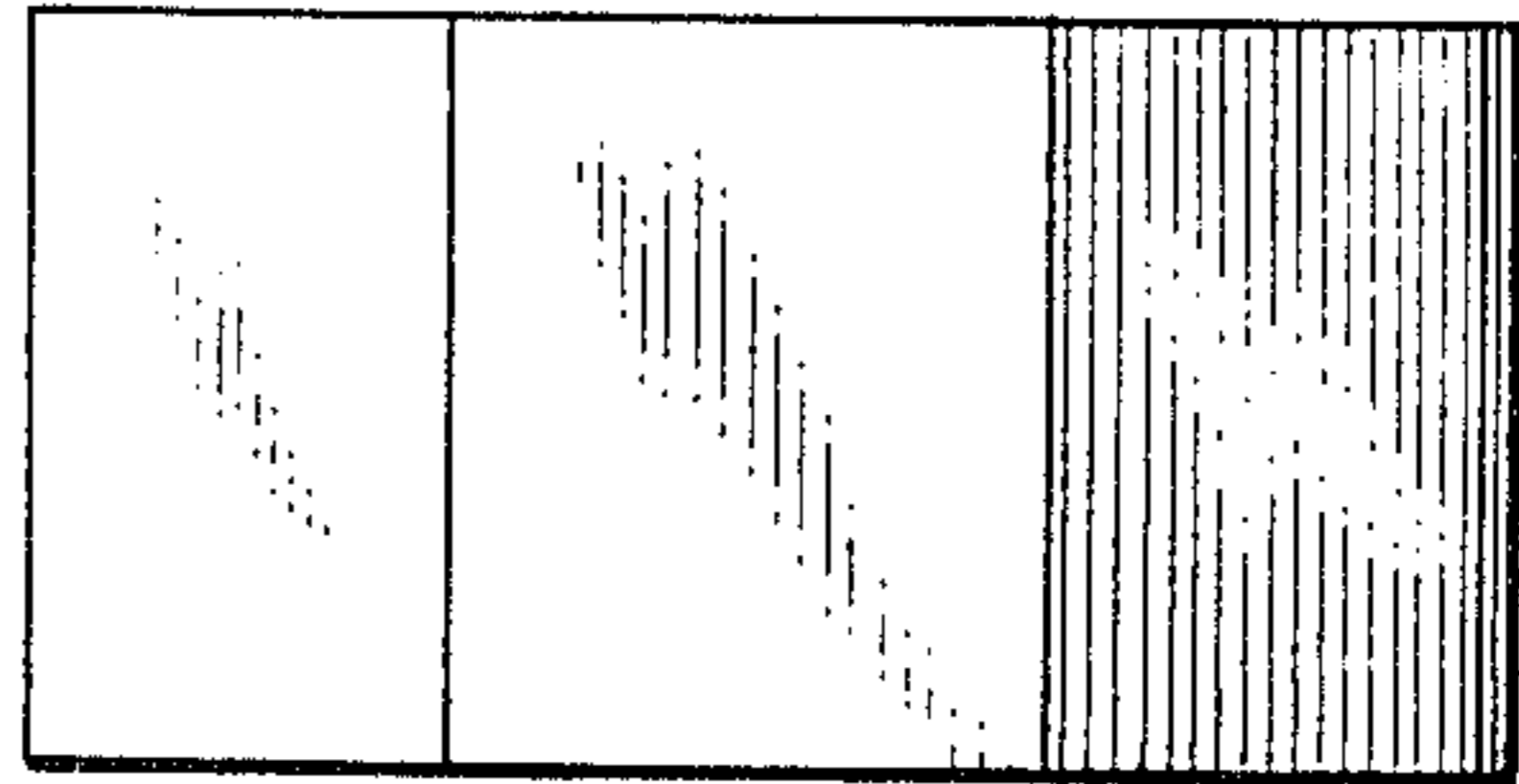


FIG. 5

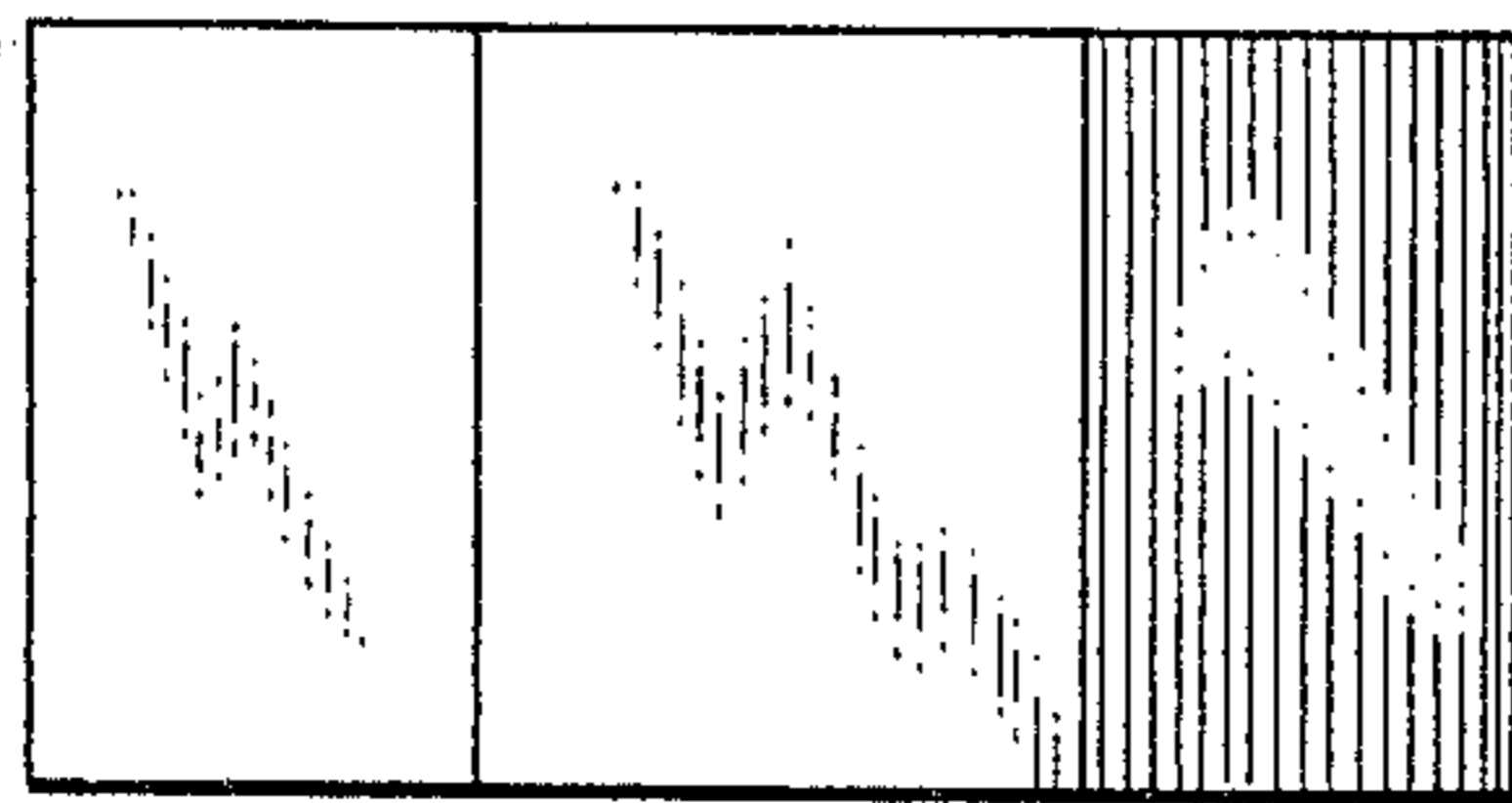


FIG. 6

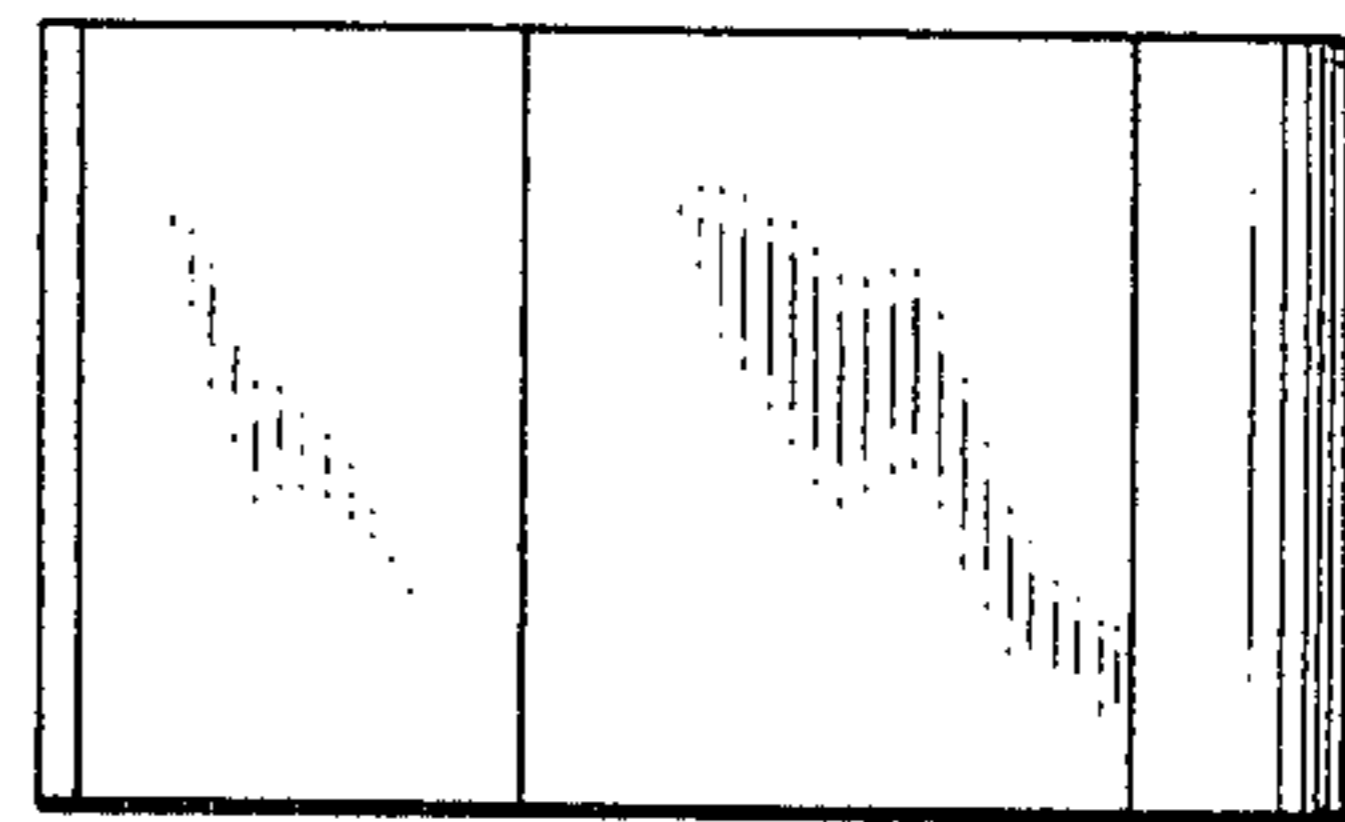


FIG. 7

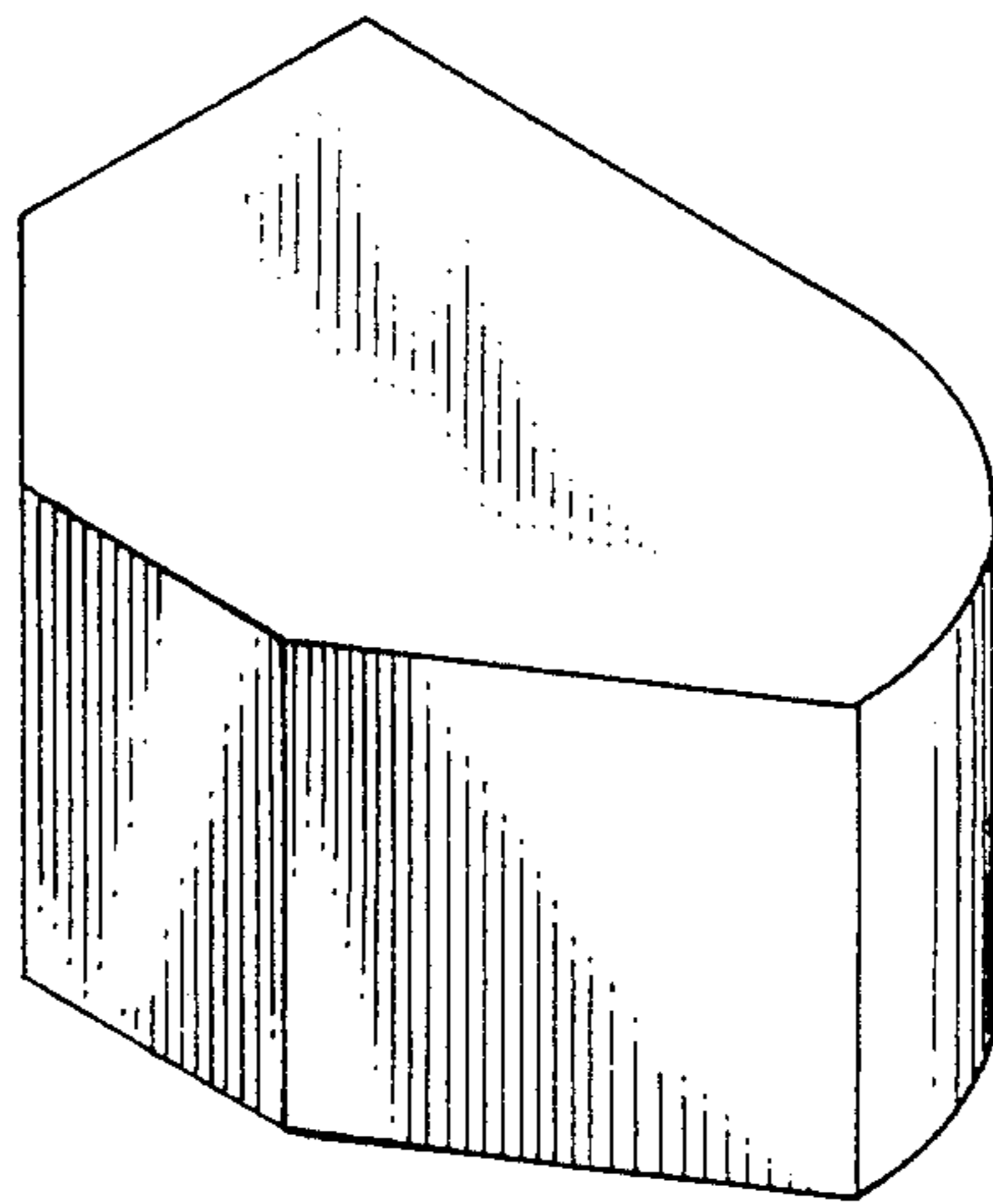


FIG. 8