

[54] CHILDS TOY

2,907,570 10/1959 Horowitz ..... D21/247 X  
3,011,825 12/1961 Hannas ..... D21/246 X

[76] Inventor: Lowell Tietz, 738 Wheaton Ave.,  
Roseville, Minn. 55113

Primary Examiner—Bruce W. Dunkins  
Attorney, Agent, or Firm—Schroeder, Siegfried, Vidas &  
Arrett

[\*\*] Term: 14 Years

[21] Appl. No.: 413,800

[57] CLAIM

[22] Filed: Sep. 1, 1982

The ornamental design for a child's toy, as shown and  
described.

[52] U.S. Cl. .... D6/348

[58] Field of Search ..... D6/10, 53, 52, 54;  
D21/246, 247

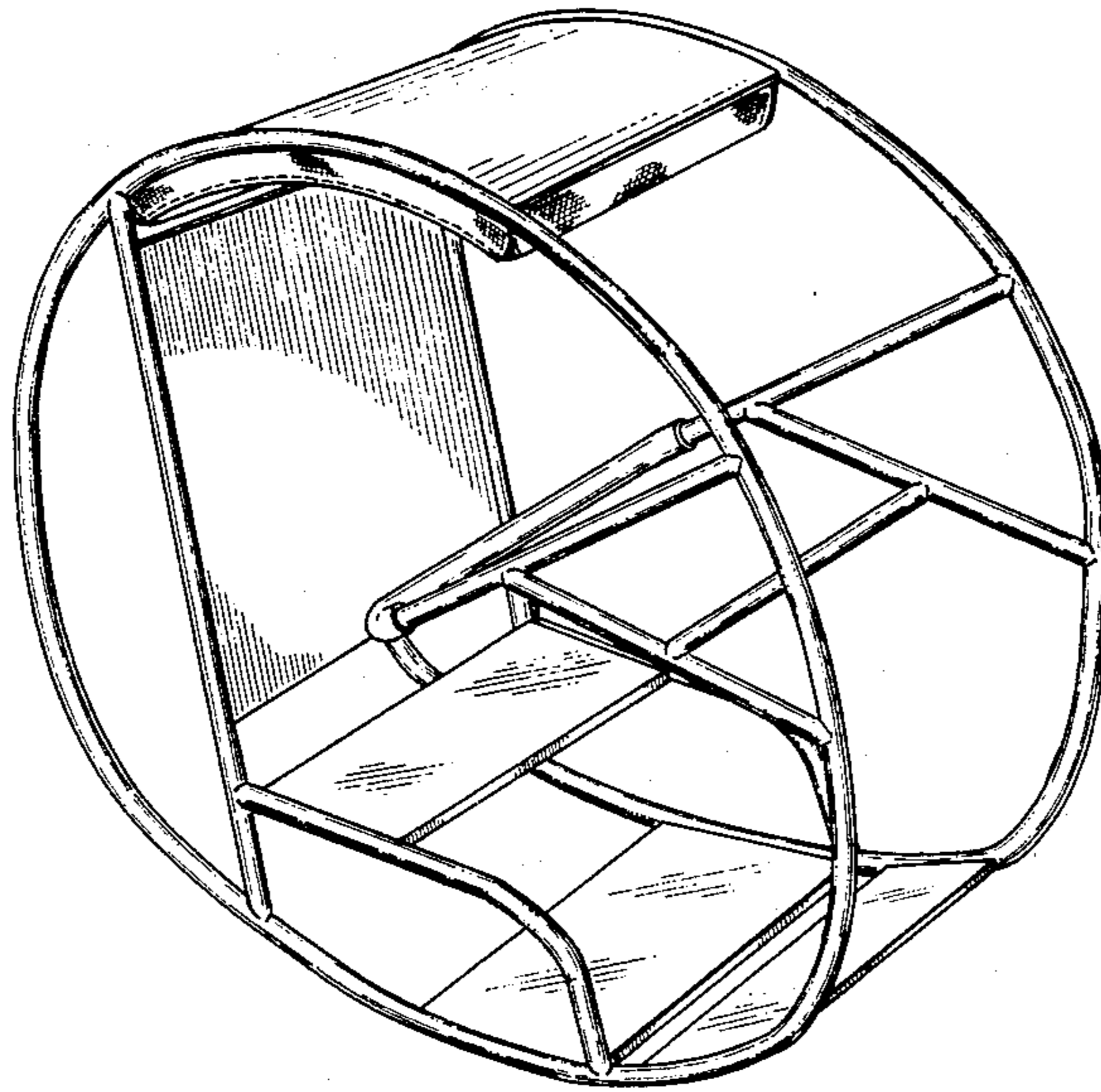
DESCRIPTION

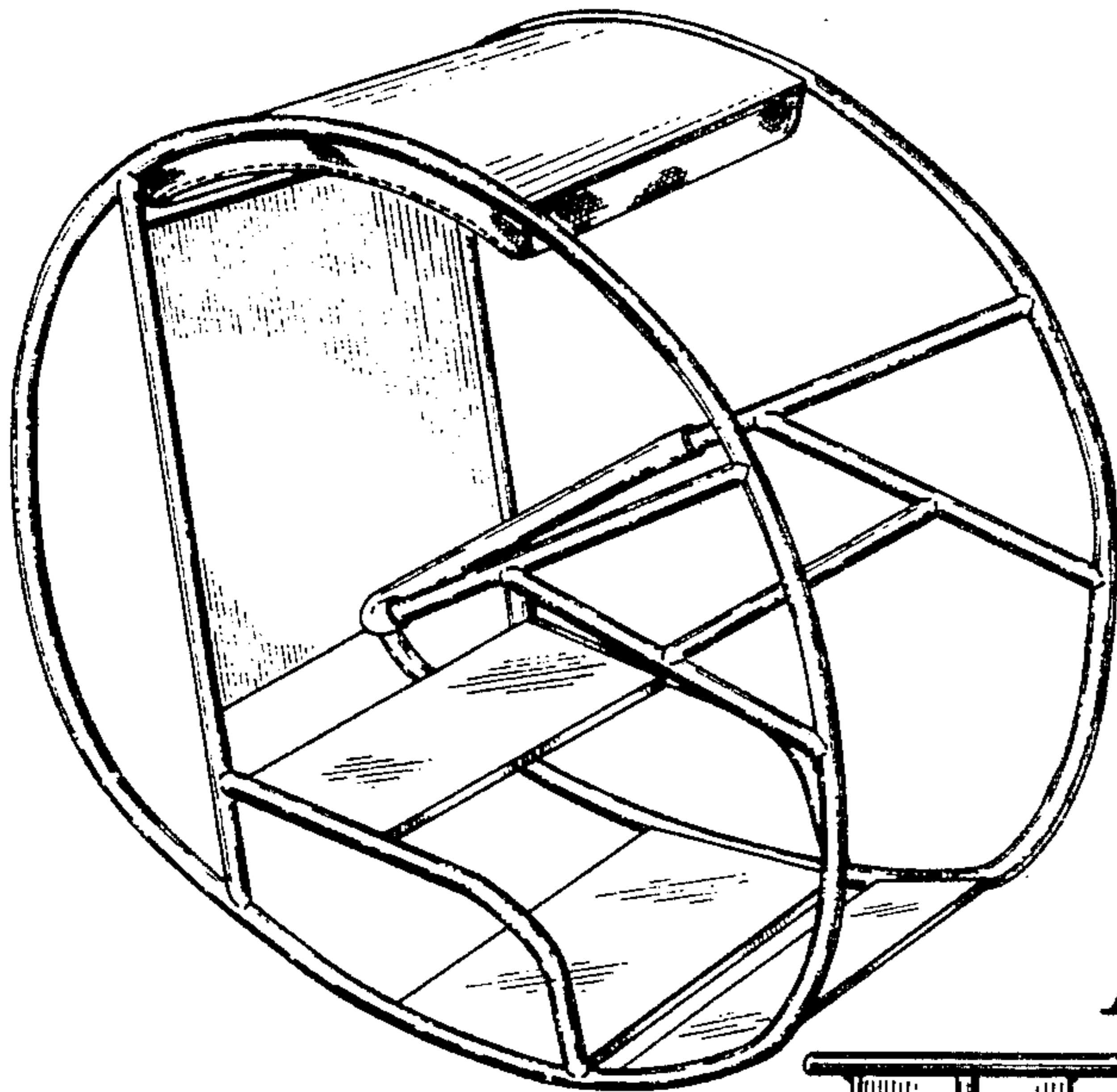
[56] References Cited

U.S. PATENT DOCUMENTS

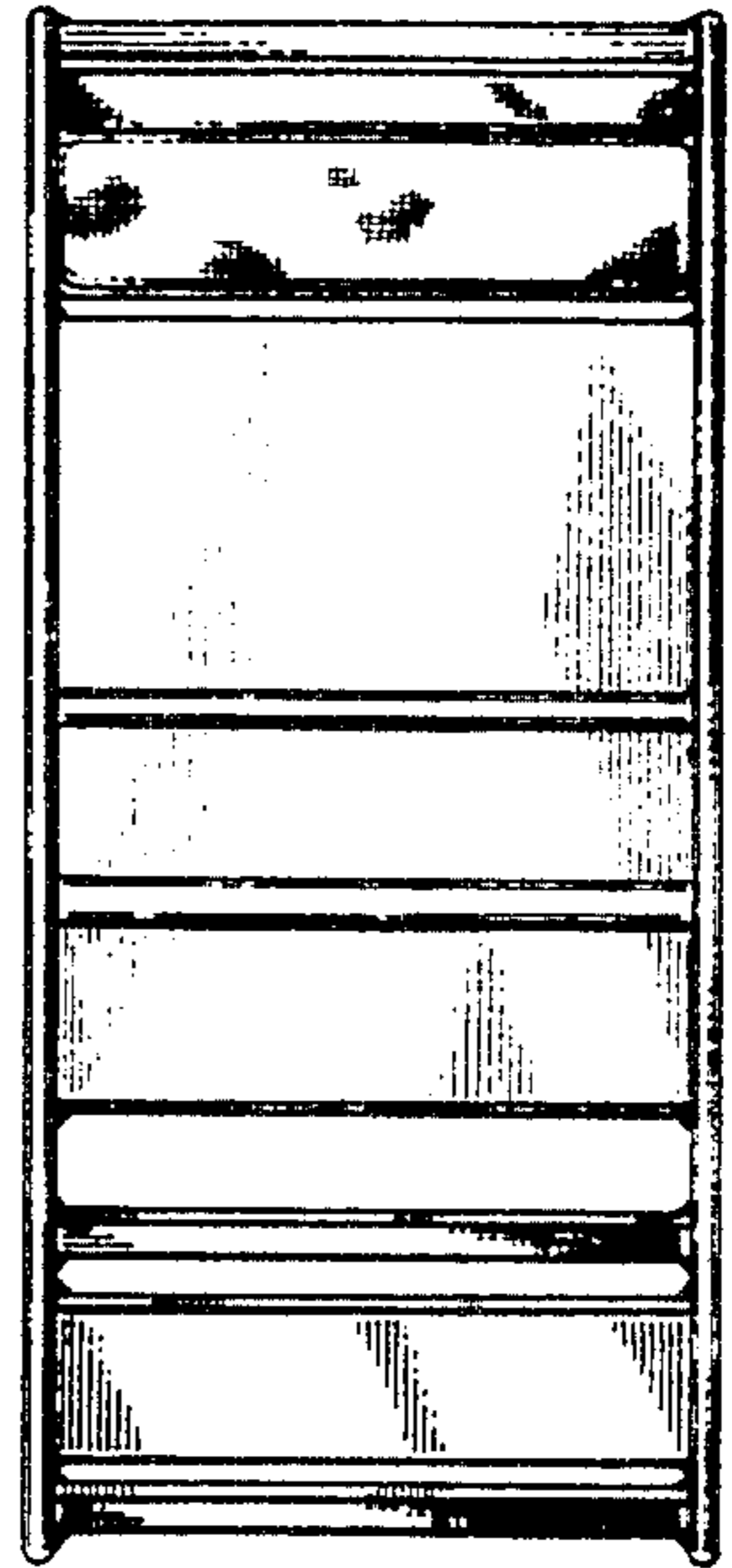
- D. 148,333 1/1948 Sebel ..... D21/246
- D. 171,458 2/1954 Peltier ..... D6/10
- D. 194,111 11/1962 Tosti ..... D6/10 X
- D. 241,289 9/1976 Lishman ..... D6/10 X

FIG. 1 is a right hand perspective view of a child's toy  
embodying the invention;  
FIG. 2 is a front elevational view thereof;  
FIG. 3 is a top plan view thereof;  
FIG. 4 is a bottom plan view thereof;  
FIG. 5 is a rear elevational view thereof; and  
FIG. 6 is a left side elevational view, the right side  
elevational view being a mirror image thereof.

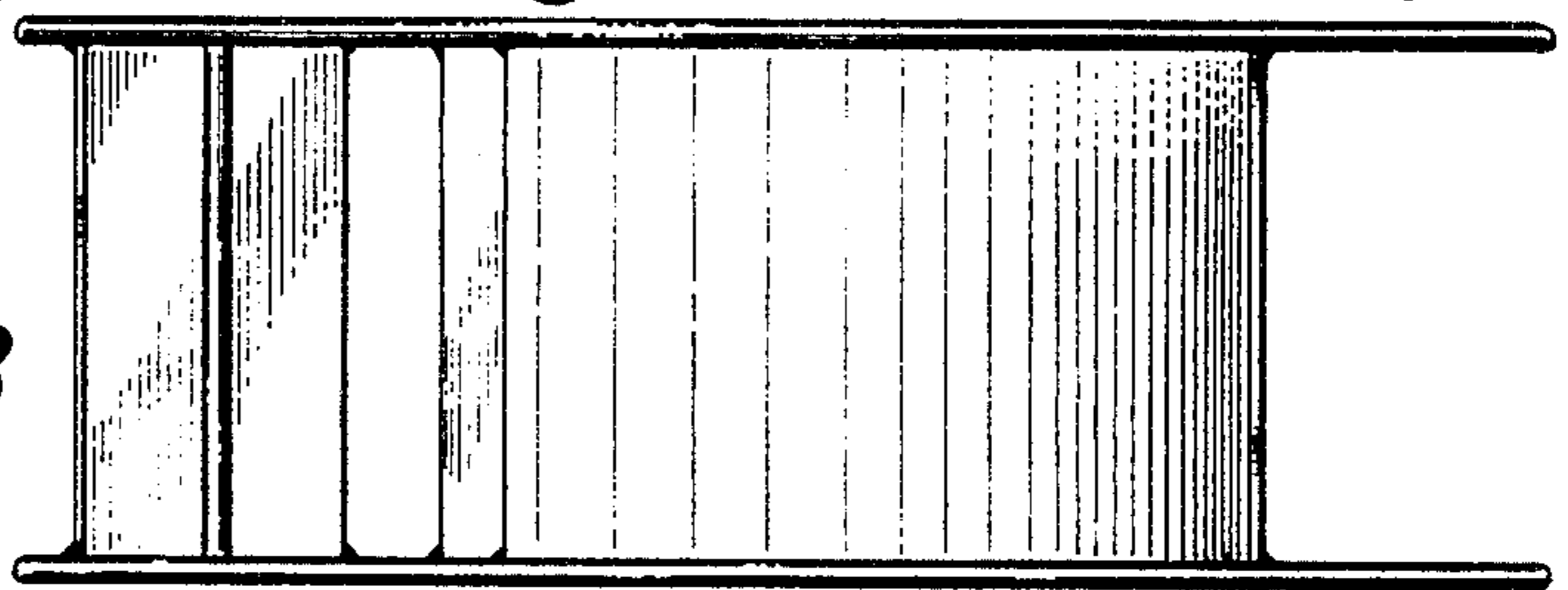




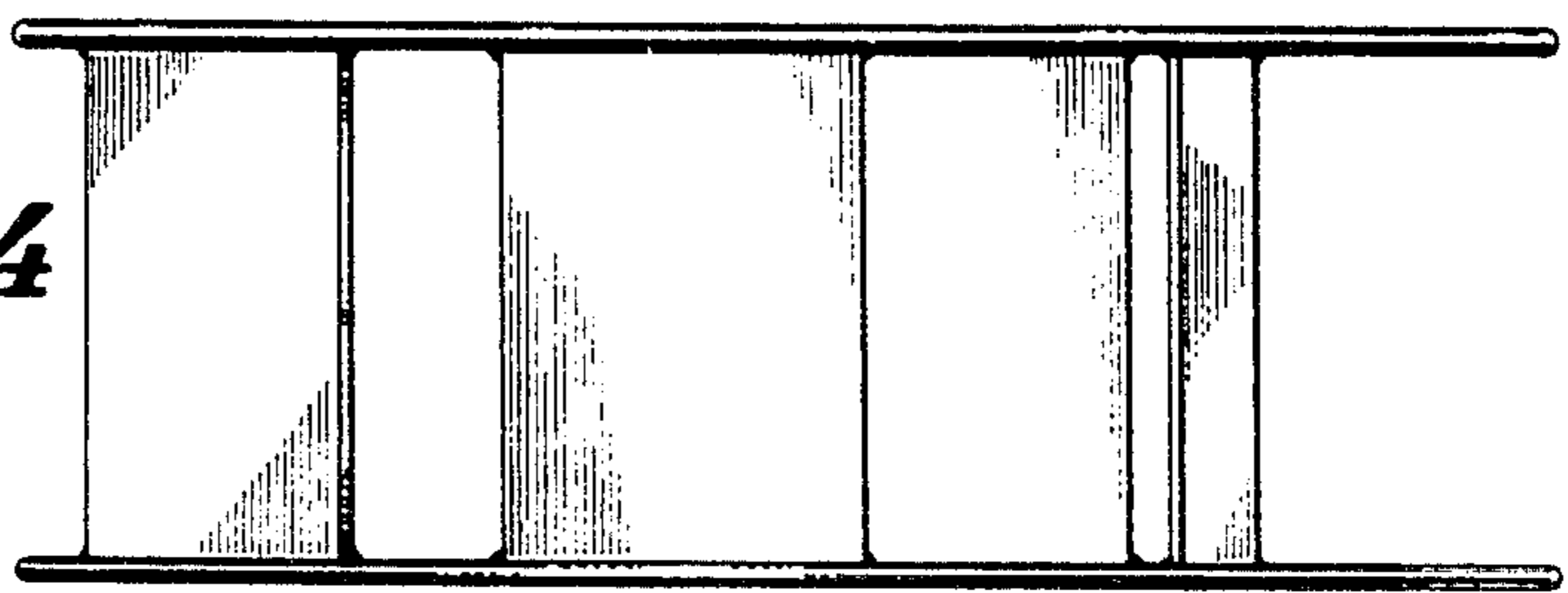
*Fig. 1*



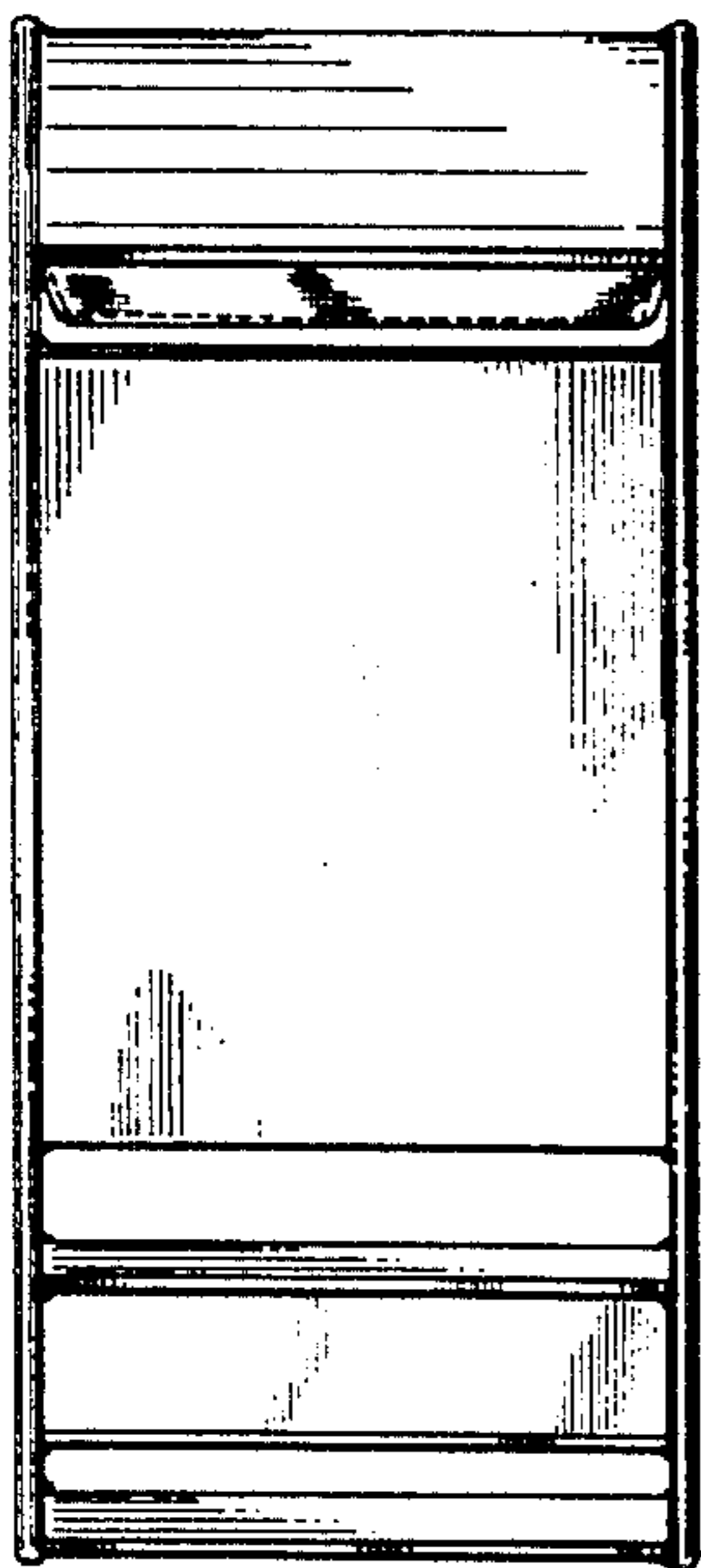
*Fig. 2*



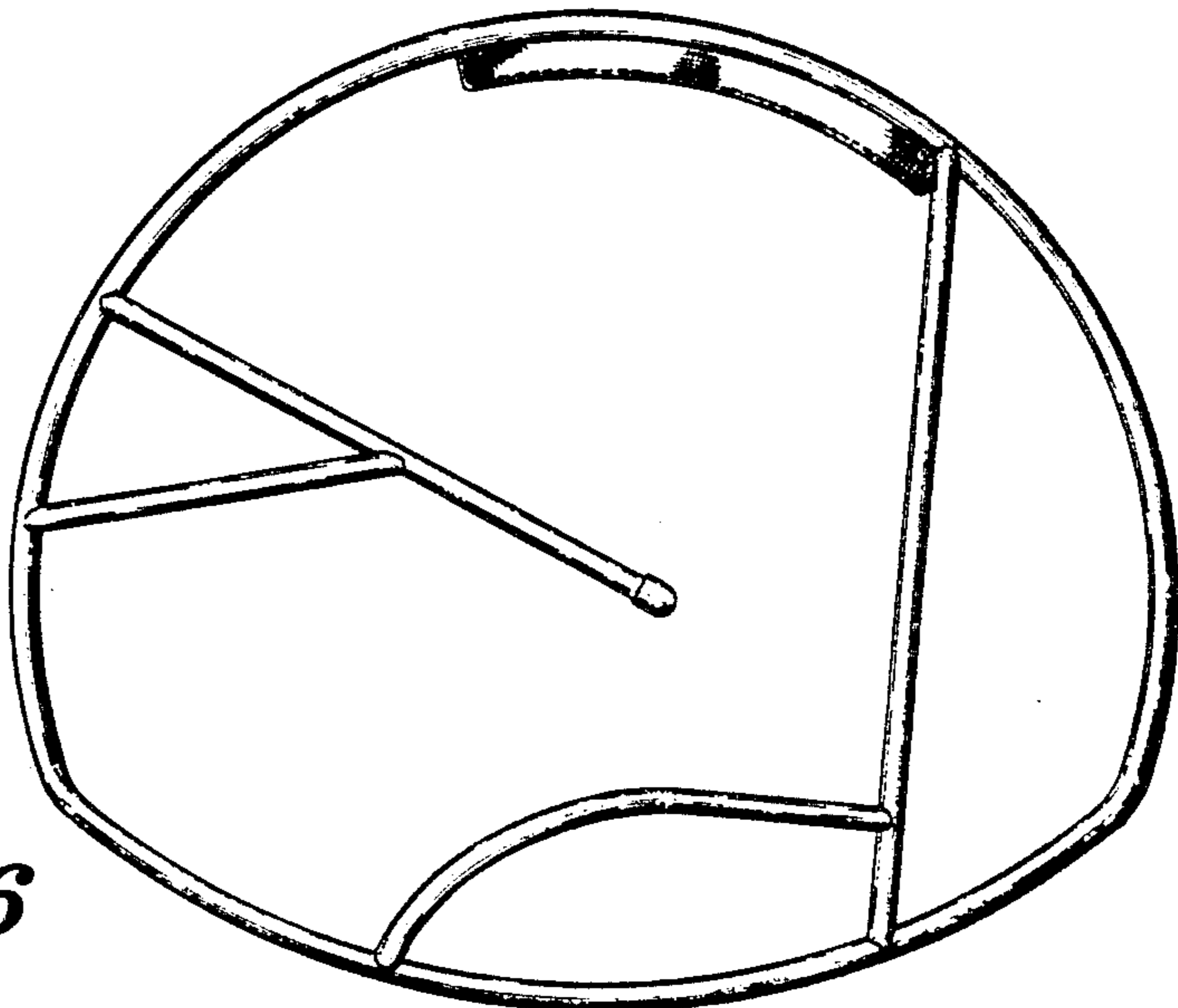
*Fig. 3*



*Fig. 4*



*Fig. 5*



*Fig. 6*