

[54] CONTAINER FOR STORING BRUSHES OR THE LIKE

[76] Inventor: Jacob P. Schuler, Kerkpad Noordzijde 43, AH Soest, Netherlands

[\*\*] Term: 14 Years

[21] Appl. No.: 430,131

[22] Filed: Sep. 30, 1982

[30] Foreign Application Priority Data

Jan. 4, 1982 [XB] Benelux ..... 56739-00

[52] U.S. Cl. .... D32/35; D9/426; D9/428

[58] Field of Search ..... 206/361, 362, 209, 15.2, 206/209.1; 220/306, 308, 357, 358, 378, 304, 293; 215/352, 341; D9/426, 428, 453, 454, 366; D32/35, 53, 54

[56] References Cited

U.S. PATENT DOCUMENTS

3,156,364 11/1964 Wolcott ..... 206/209 X  
3,433,385 3/1969 Metivier ..... 220/293

FOREIGN PATENT DOCUMENTS

494435 10/1938 United Kingdom ..... 206/209

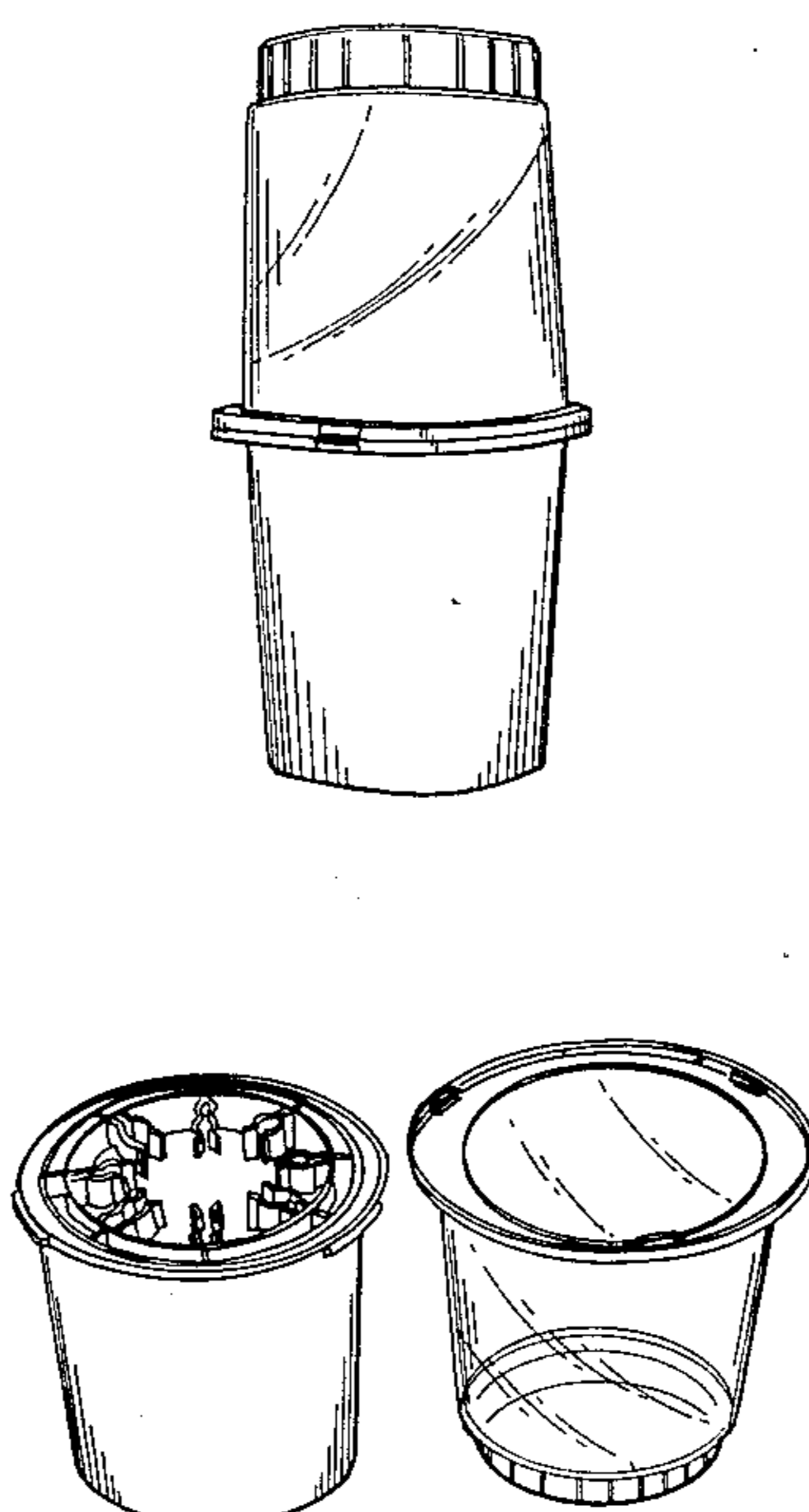
Primary Examiner—Catherine E. Kemper  
Attorney, Agent, or Firm—Kane, Dalsimer, Kane, Sullivan and Kurucz

[57] CLAIM

The ornamental design for a container for storing brushes or the like, as shown and described.

DESCRIPTION

FIG. 1 is a perspective view of a container for storing brushes or the like, showing my new design;  
FIG. 2 is a top plan view thereof;  
FIG. 3 is a bottom view of my new container;  
FIG. 4 is a perspective view of the device, shown with the top and bottom halves separated; and  
FIG. 5 is a side elevational view of the device as shown in FIG. 1, shown on a larger scale and partially in section.



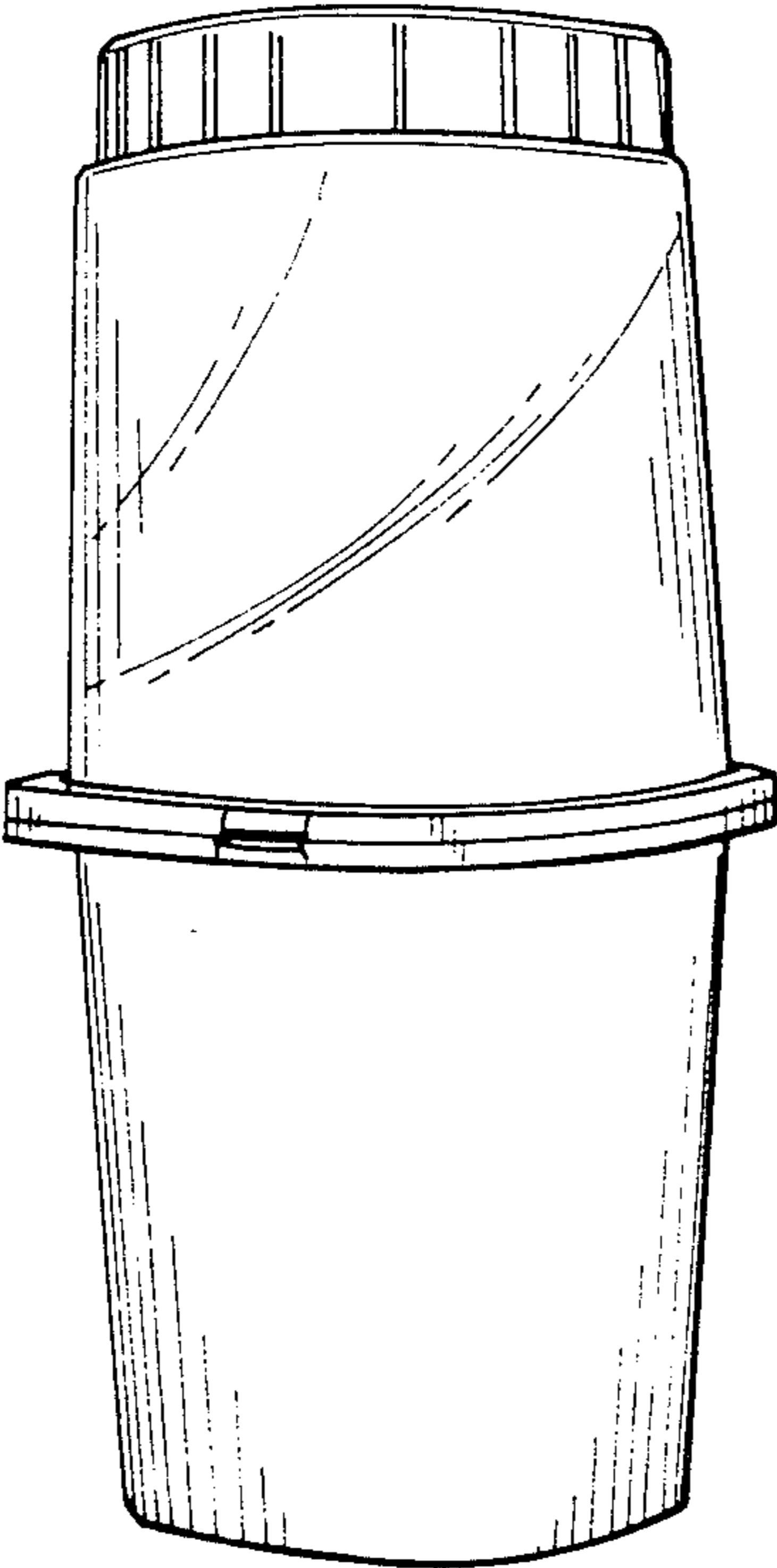


FIG.1

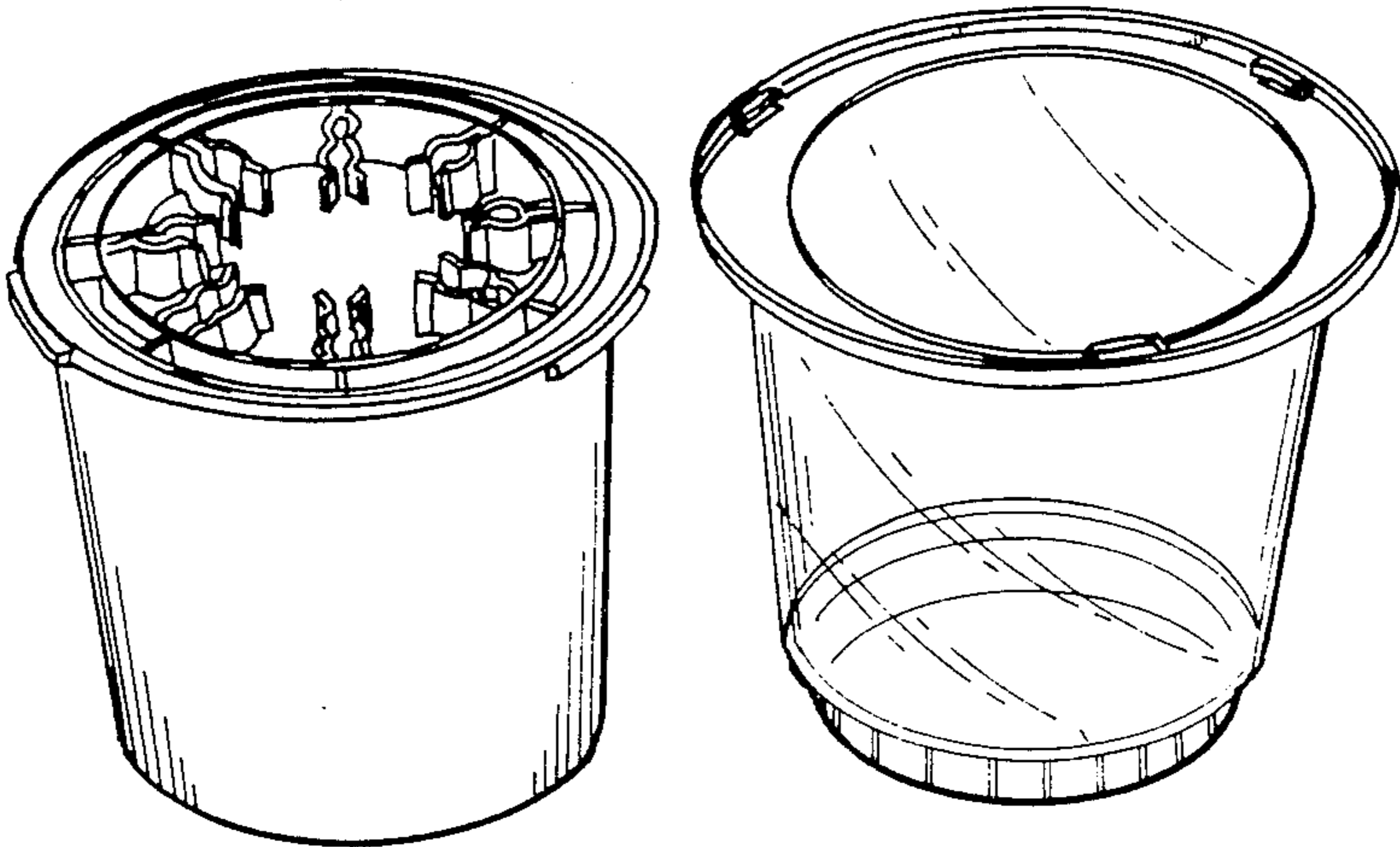


FIG.4

FIG.2

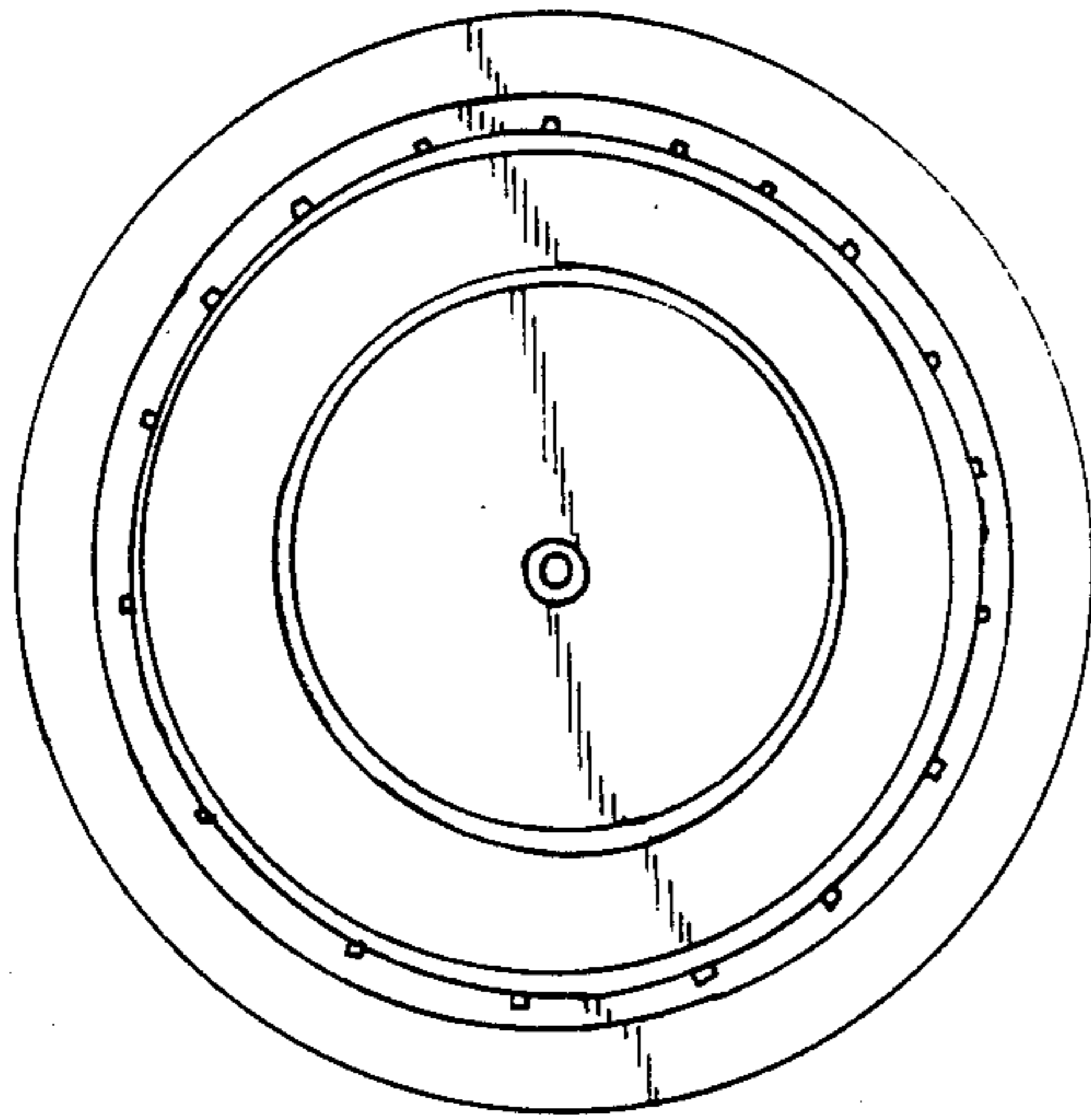


FIG.3

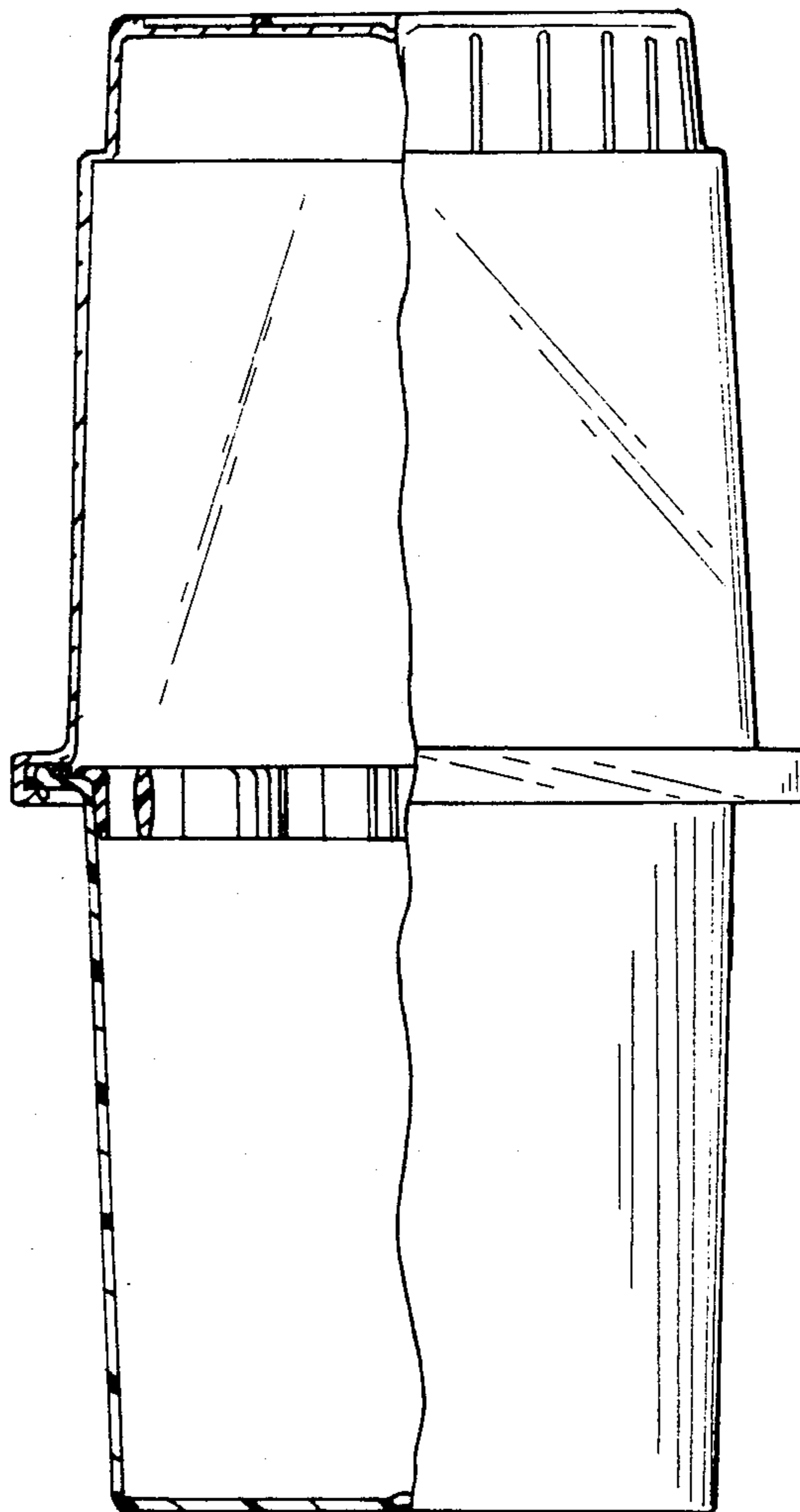
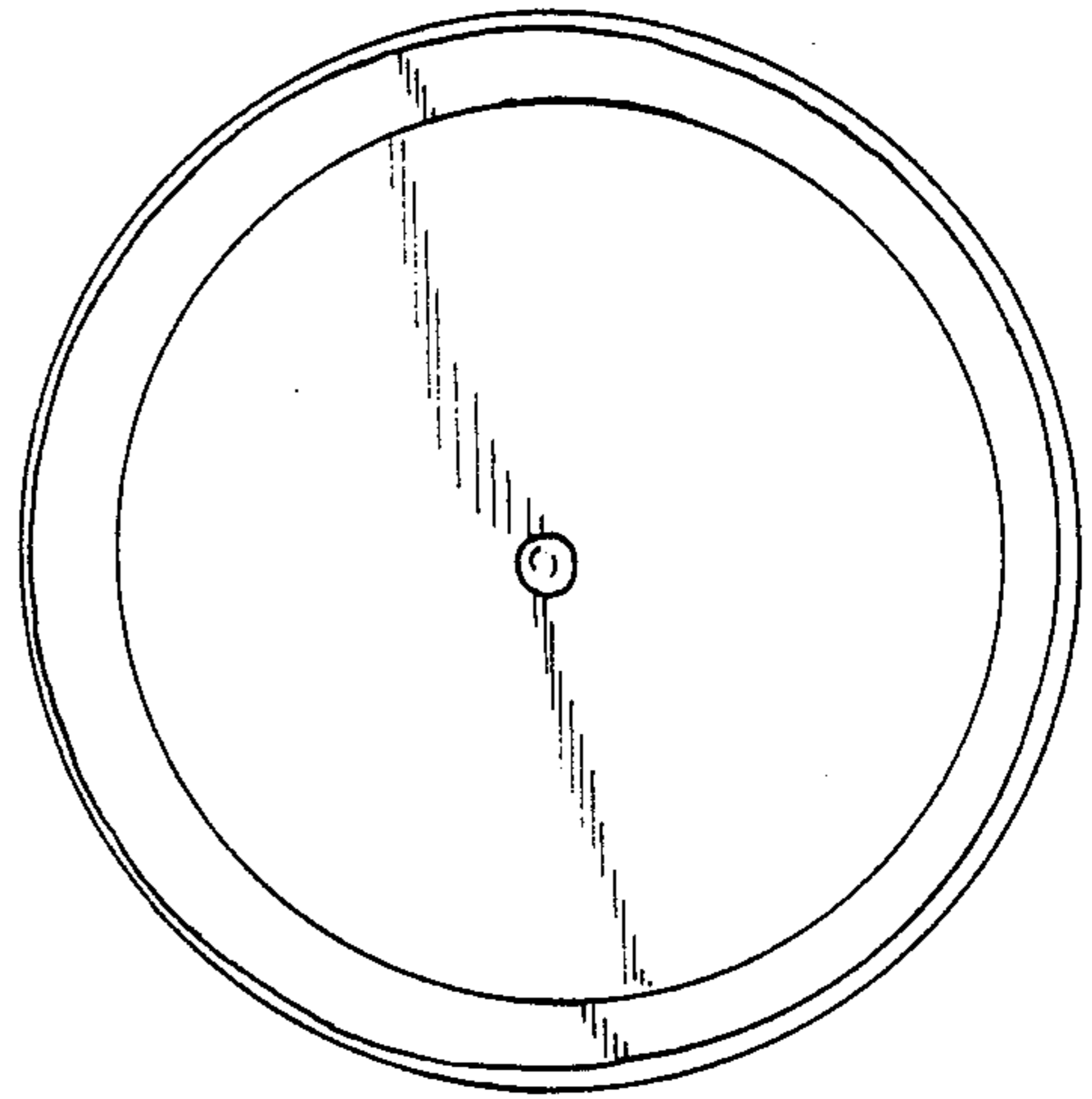


FIG.5