

[54] FIRE EXTINGUISHER HEAD ASSEMBLY

[76] Inventor: Ronald E. Braswell, P.O. Box 110008, Arlington, Tex. 76011

[**] Term: 14 Years

[21] Appl. No.: 438,022

[22] Filed: Nov. 1, 1982

[52] U.S. Cl. D29/5

[58] Field of Search D29/1-5; 169/30, 71, 74, 75, 77, 89

[56] References Cited

U.S. PATENT DOCUMENTS

- 2,562,963 8/1951 Stroop D29/3
- 2,681,707 6/1954 Mapes 169/75

FOREIGN PATENT DOCUMENTS

2630519 12/1978 Fed. Rep. of Germany 169/74

Primary Examiner—James M. Gandy

Assistant Examiner—Kay H. Chin

Attorney, Agent, or Firm—Charles W. McHugh

[57] CLAIM

The ornamental design for a fire extinguisher head assembly, as shown.

DESCRIPTION

FIG. 1 is a front elevational view of a fire extinguisher head assembly showing my design;

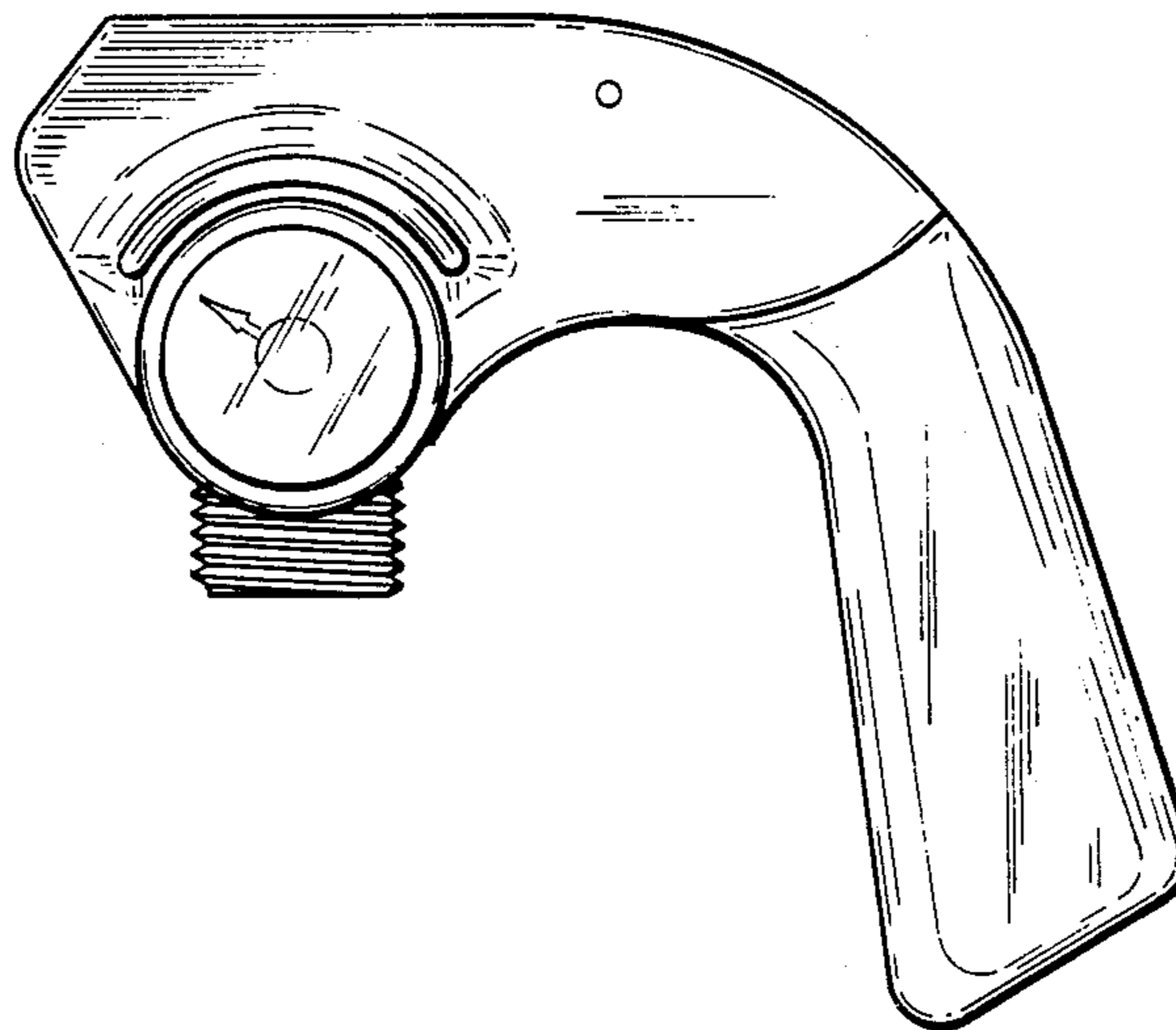
FIG. 2 is a left side elevational view thereof;

FIG. 3 is a rear elevational view thereof;

FIG. 4 is a right side elevational view thereof;

FIG. 5 is a top plan view thereof; and

FIG. 6 is a bottom plan view thereof.



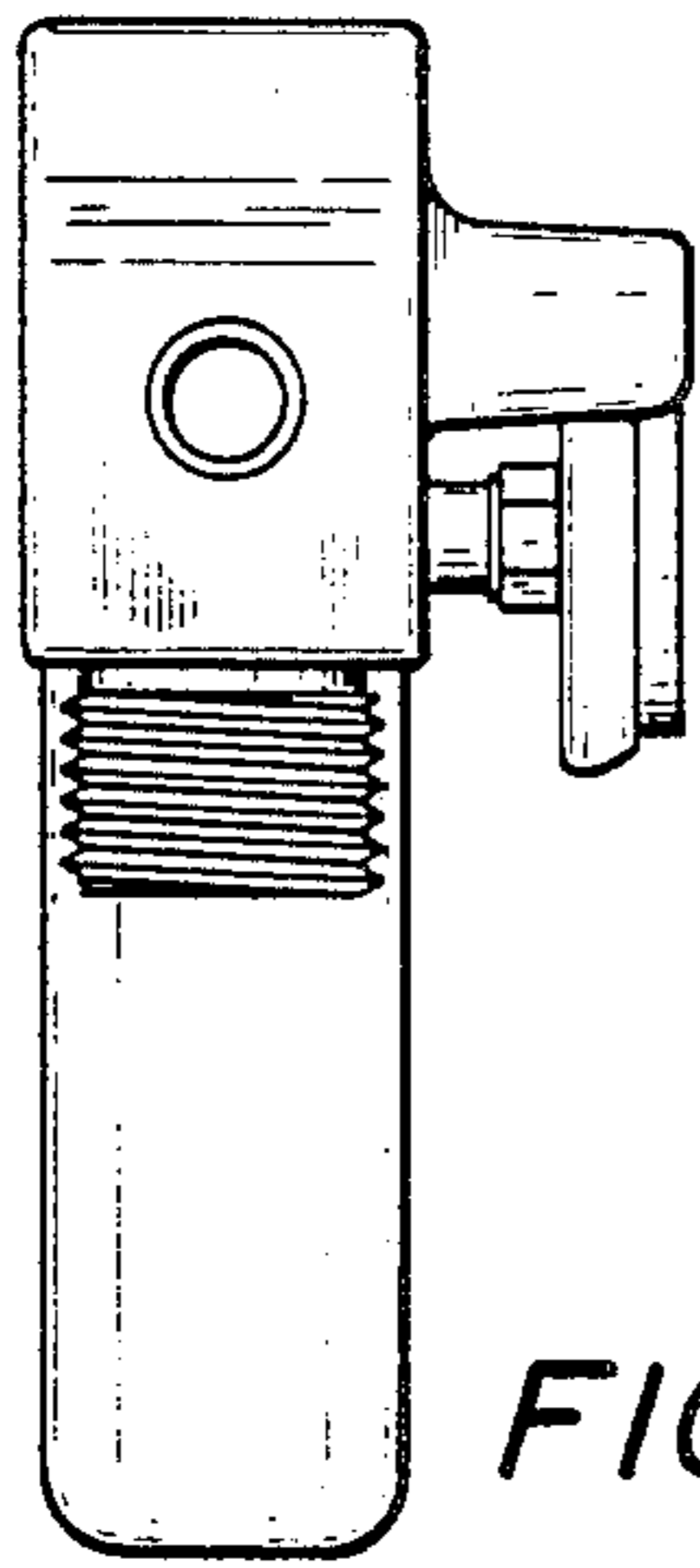


FIG. 1

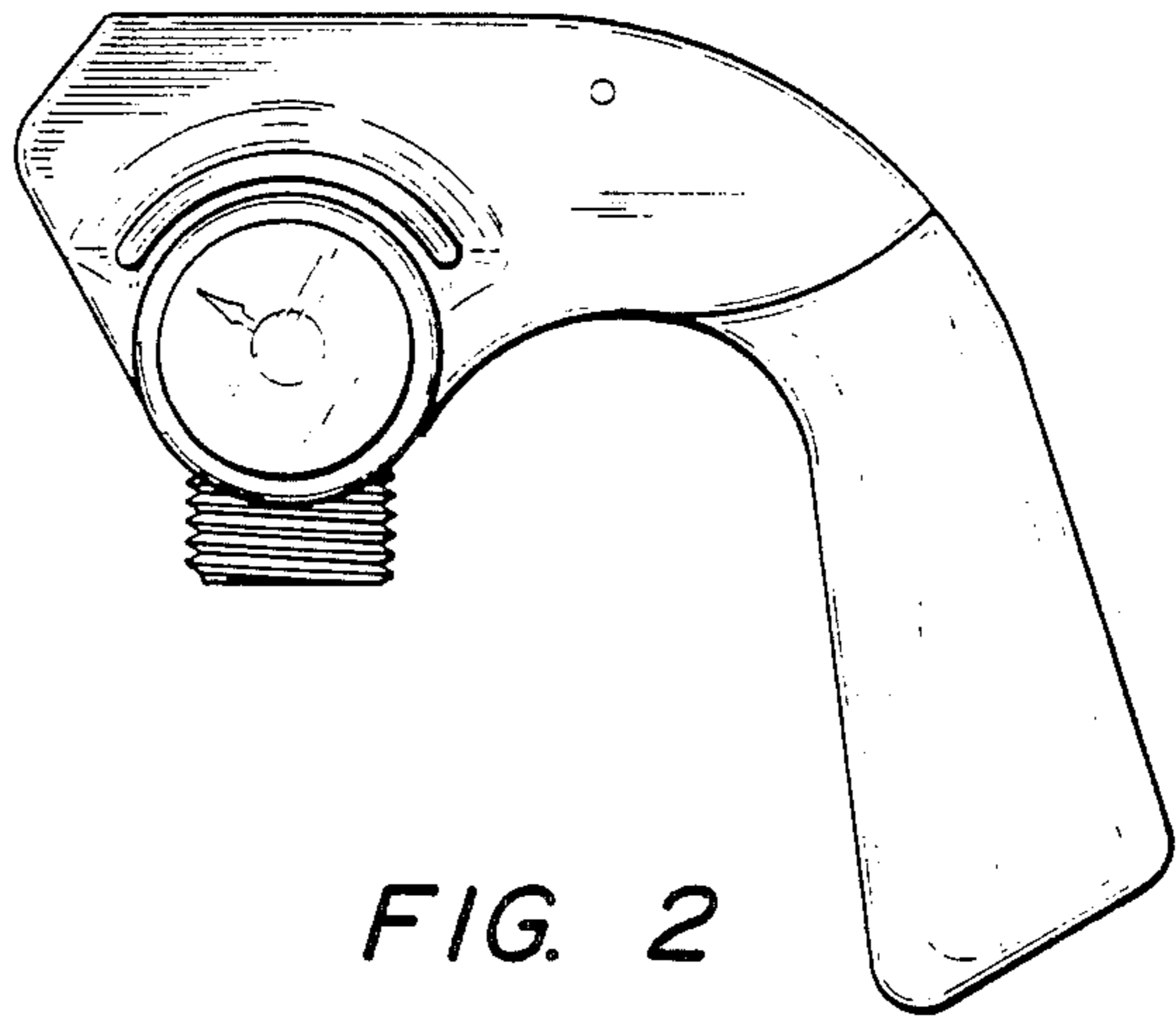


FIG. 2

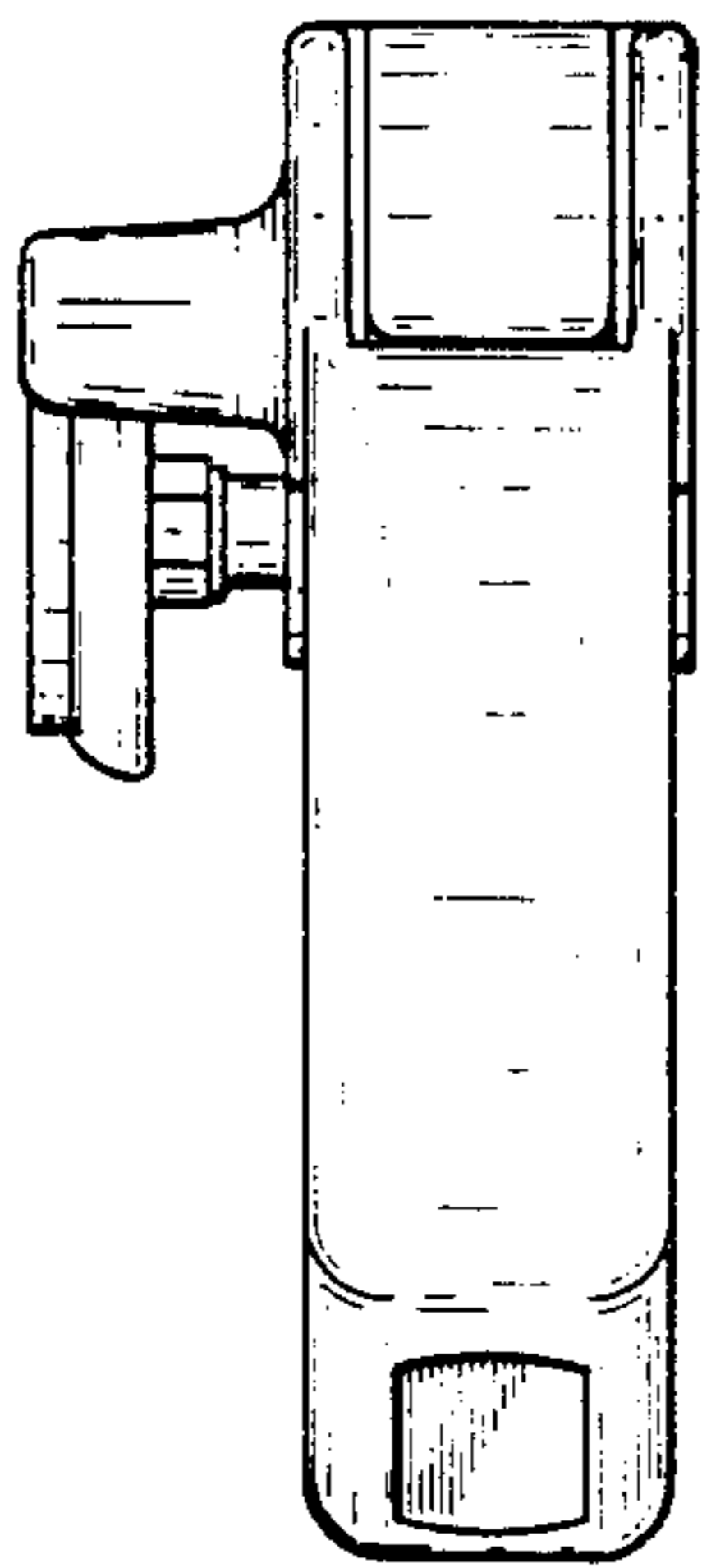


FIG. 3

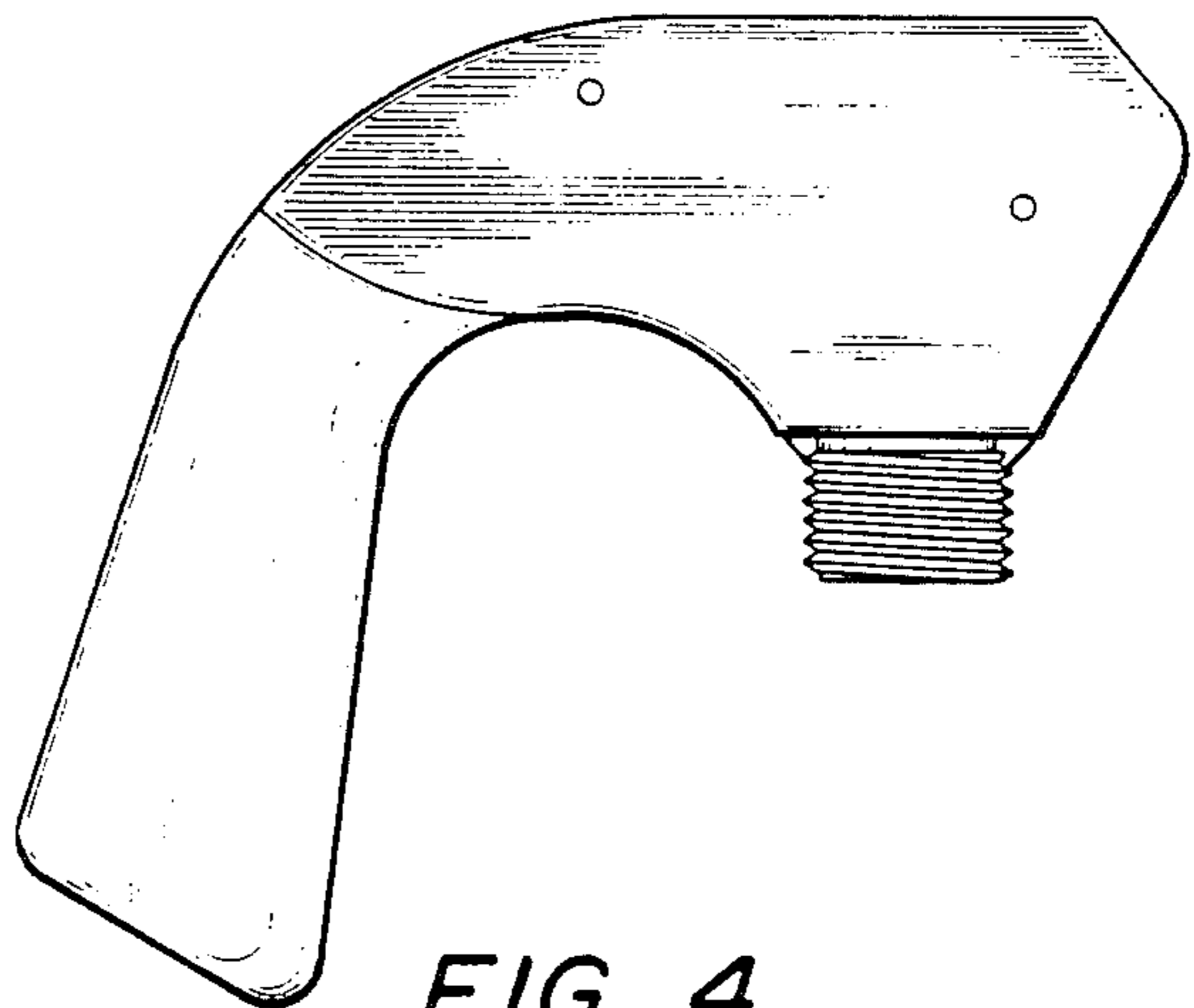


FIG. 4

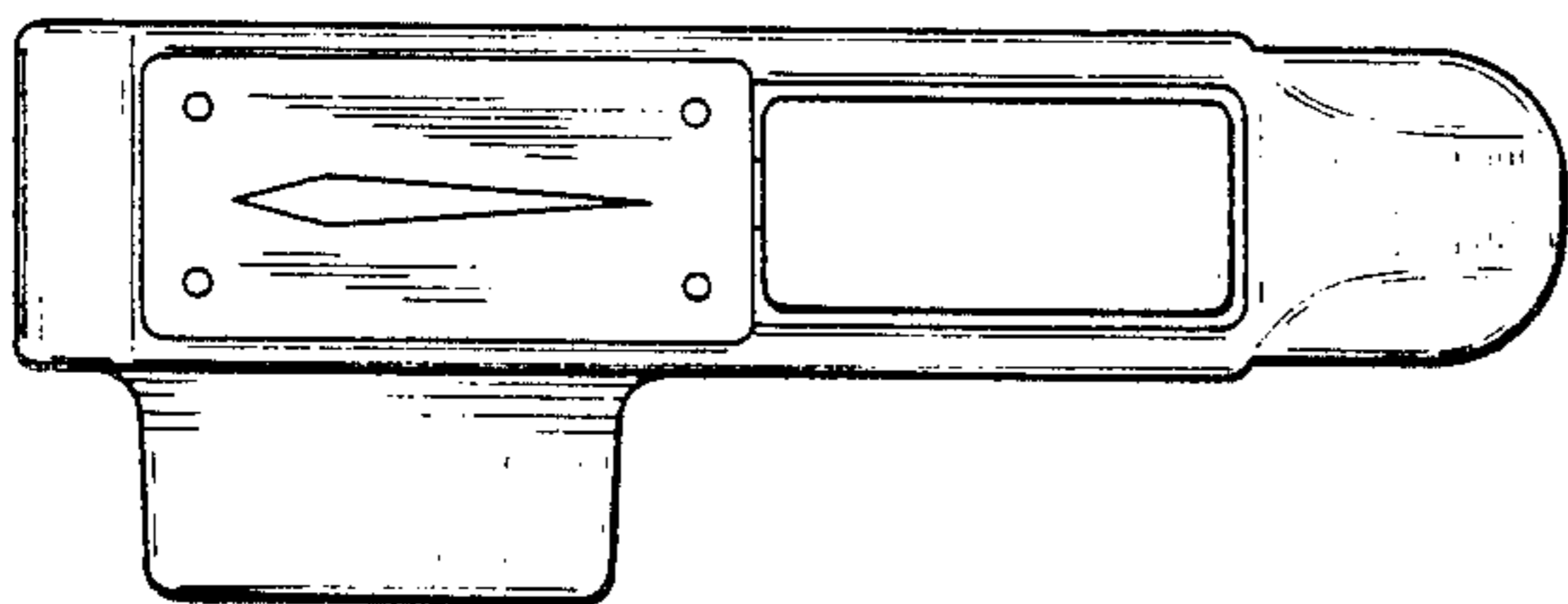


FIG. 5

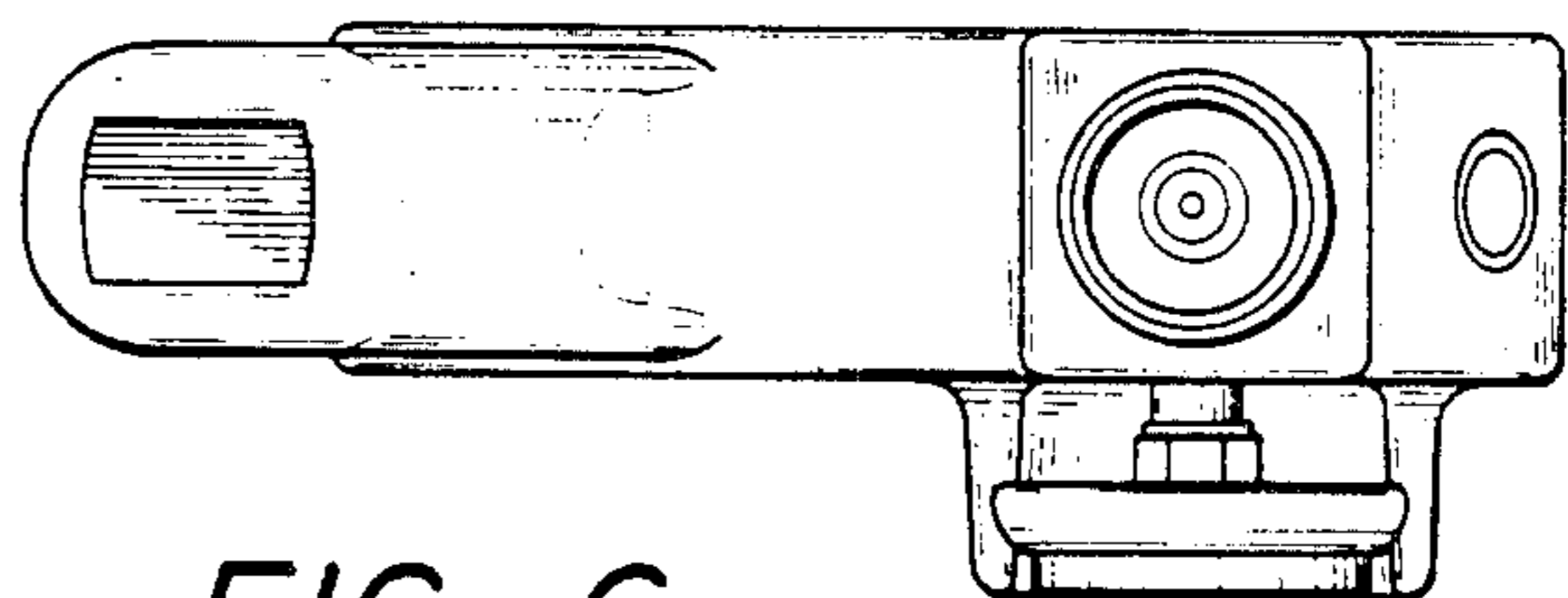


FIG. 6