

- [54] **HANDLE FOR A CURLING IRON OR STYLER**
- [75] **Inventor: Benjamin H. Stansbury, Jr., Beverly Hills, Calif.**
- [73] **Assignee: Redken Laboratories, Inc., Canoga Park, Calif.**
- [**] **Term: 14 Years**
- [21] **Appl. No.: 403,552**
- [22] **Filed: Jul. 30, 1982**
- [52] **U.S. Cl. D28/35**
- [58] **Field of Search D28/9-18, D28/35; 219/222, 225; 34/96-101; 132/7, 9, 33 R, 33 A, 37 R, 37 A**

- [56] **References Cited**
U.S. PATENT DOCUMENTS
4,368,376 1/1983 Andis 219/222

FOREIGN PATENT DOCUMENTS

2827547 1/1980 Fed. Rep. of Germany 219/222

Primary Examiner—Louis S. Zarfes
Attorney, Agent, or Firm—Christie, Parker & Hale

[57] **CLAIM**

The ornamental design for a handle for a curling iron or styler, substantially as shown and described.

DESCRIPTION

FIG. 1 is a perspective view of a handle for a curling iron or styler showing my new design the broken line depiction of the tip and cord being illustrative of environment only;
FIG. 2 is a bottom plan view of the handle;
FIG. 3 is an end elevational view of the handle as viewed from the left of FIG. 2;
FIG. 4 is an end elevational view of the handle as viewed from the right of FIG. 2;
FIG. 5 is a side elevational view of the handle shown in FIG. 2; and
FIG. 6 is a top view of the handle shown in FIG. 2.

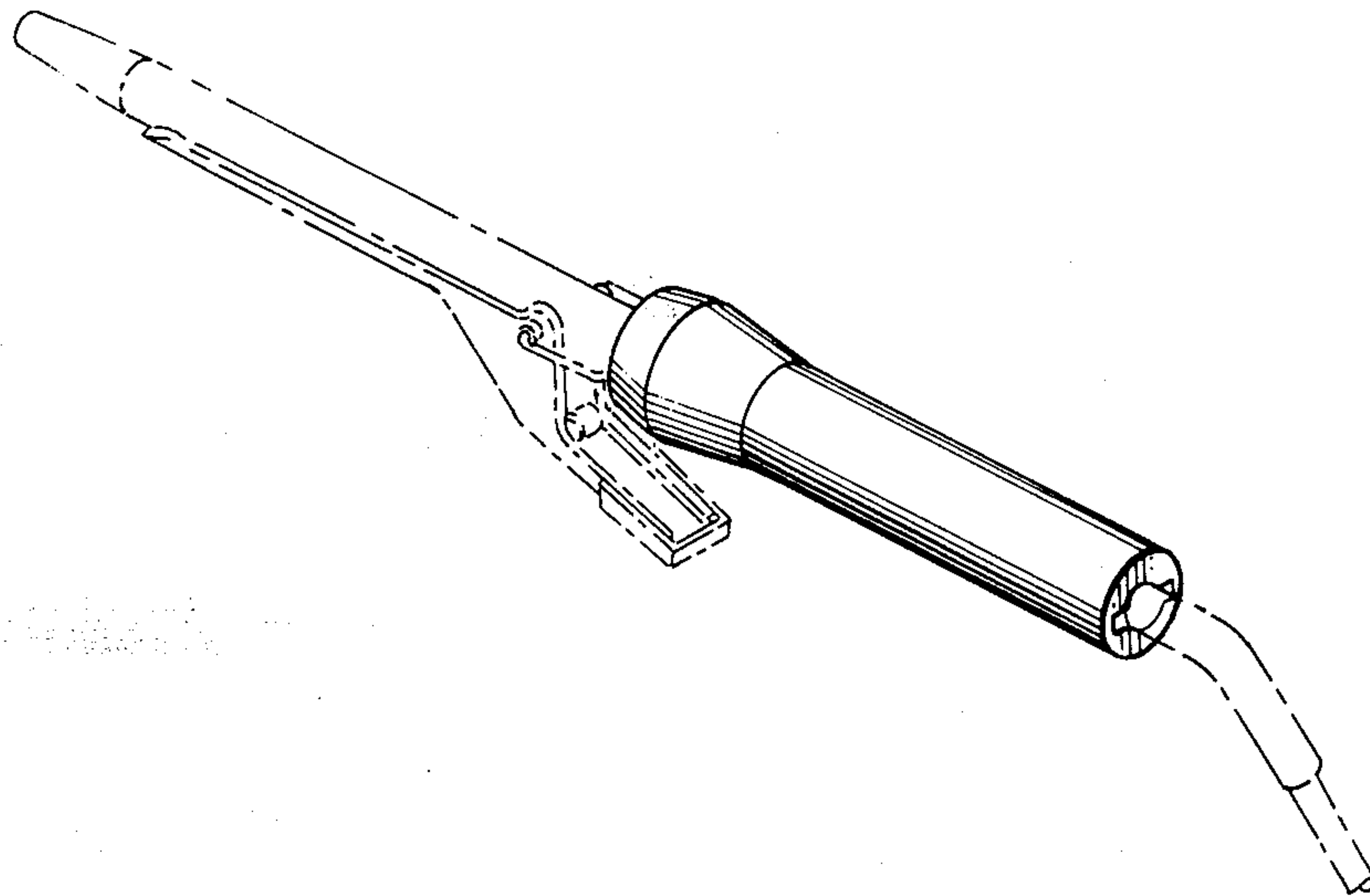


Fig. 1

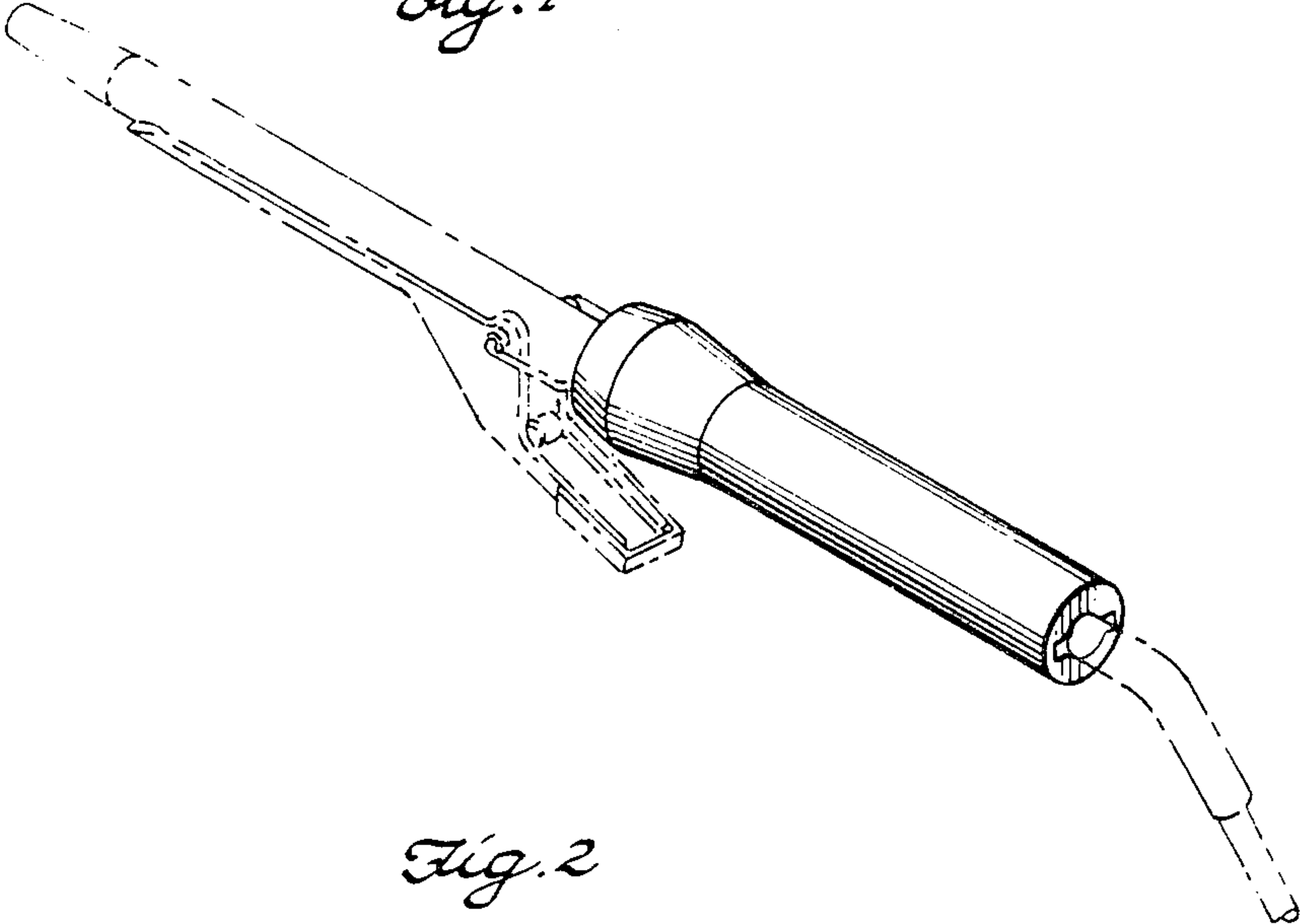


Fig. 2

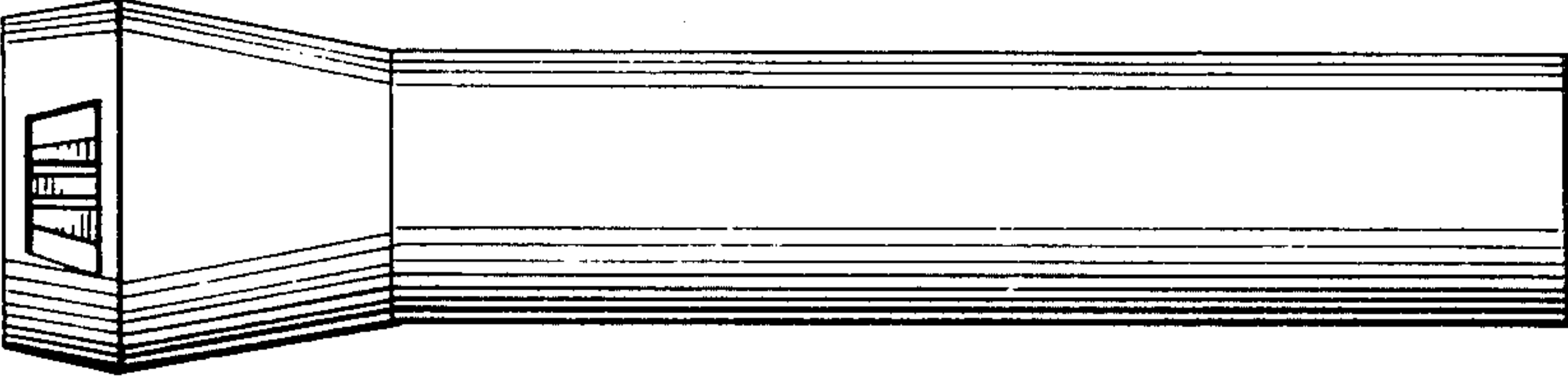


Fig. 3

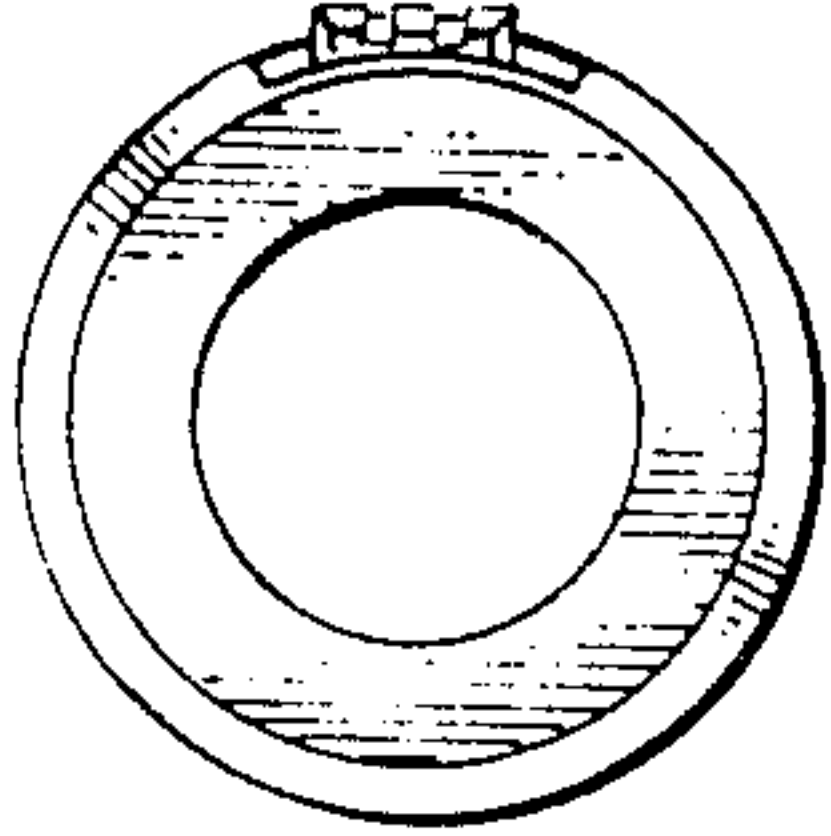


Fig. 4

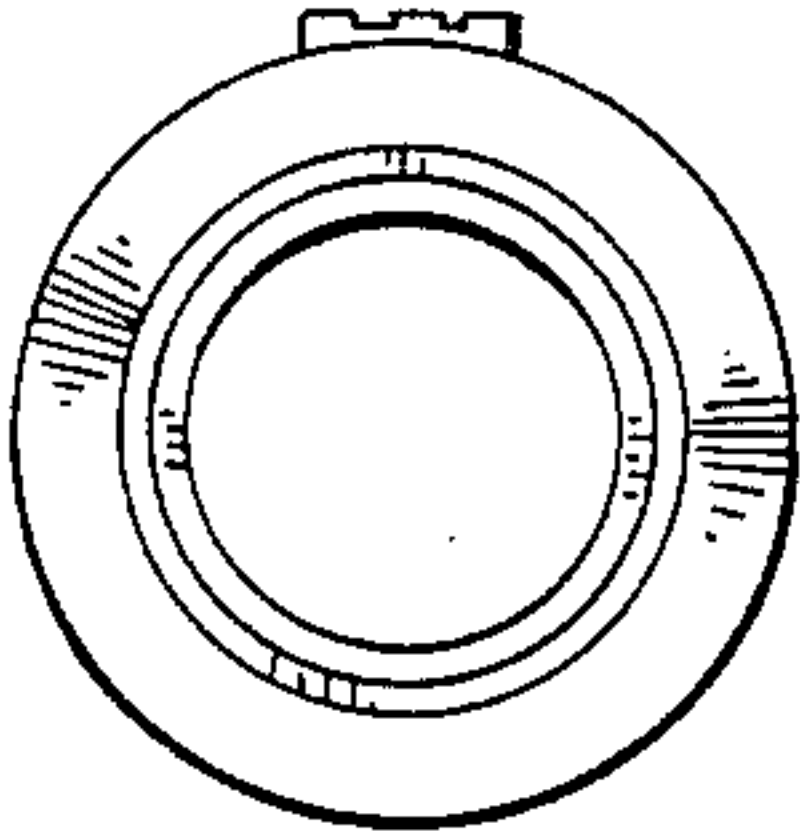


Fig. 5

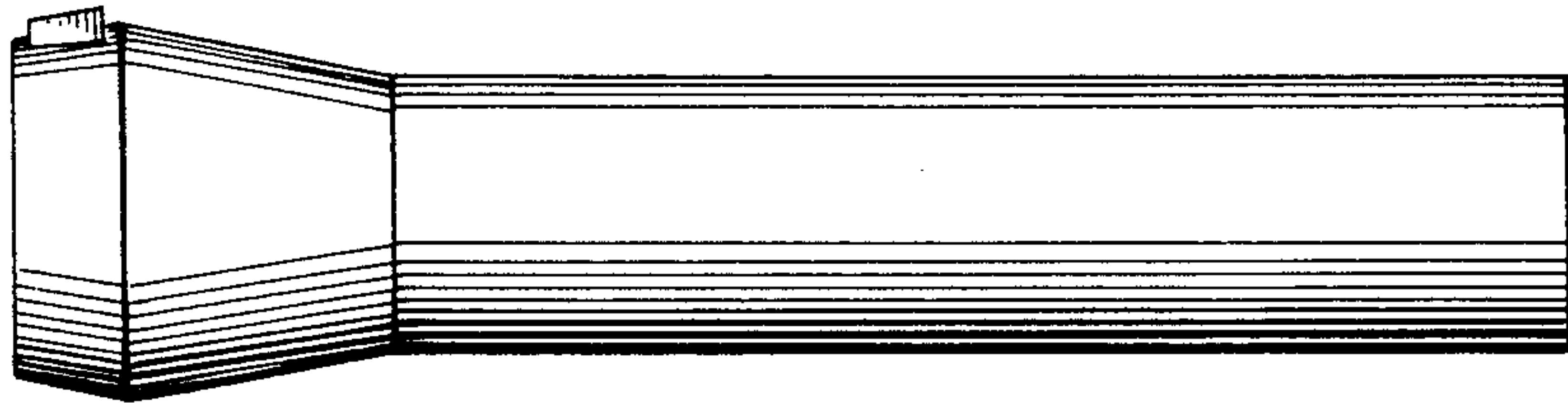


Fig. 6

