

[54] BOOKLIGHT

3,092,335 6/1963 Wilson ..... 362/99

[76] Inventor: John S. Doyel, 404 W. 20th St., New York, N.Y. 10011

Primary Examiner—Susan J. Lucas  
Attorney, Agent, or Firm—Cooper, Dunham, Clark, Griffin & Moran

[\*\*] Term: 14 Years

[57] CLAIM

[21] Appl. No.: 431,199

The ornamental design for a booklight, as shown and described.

[22] Filed: Sep. 30, 1982

[52] U.S. Cl. .... D26/60

[58] Field of Search ..... D26/60-66,  
D26/37, 42; 362/98, 99, 190, 191, 200, 201, 199,  
396

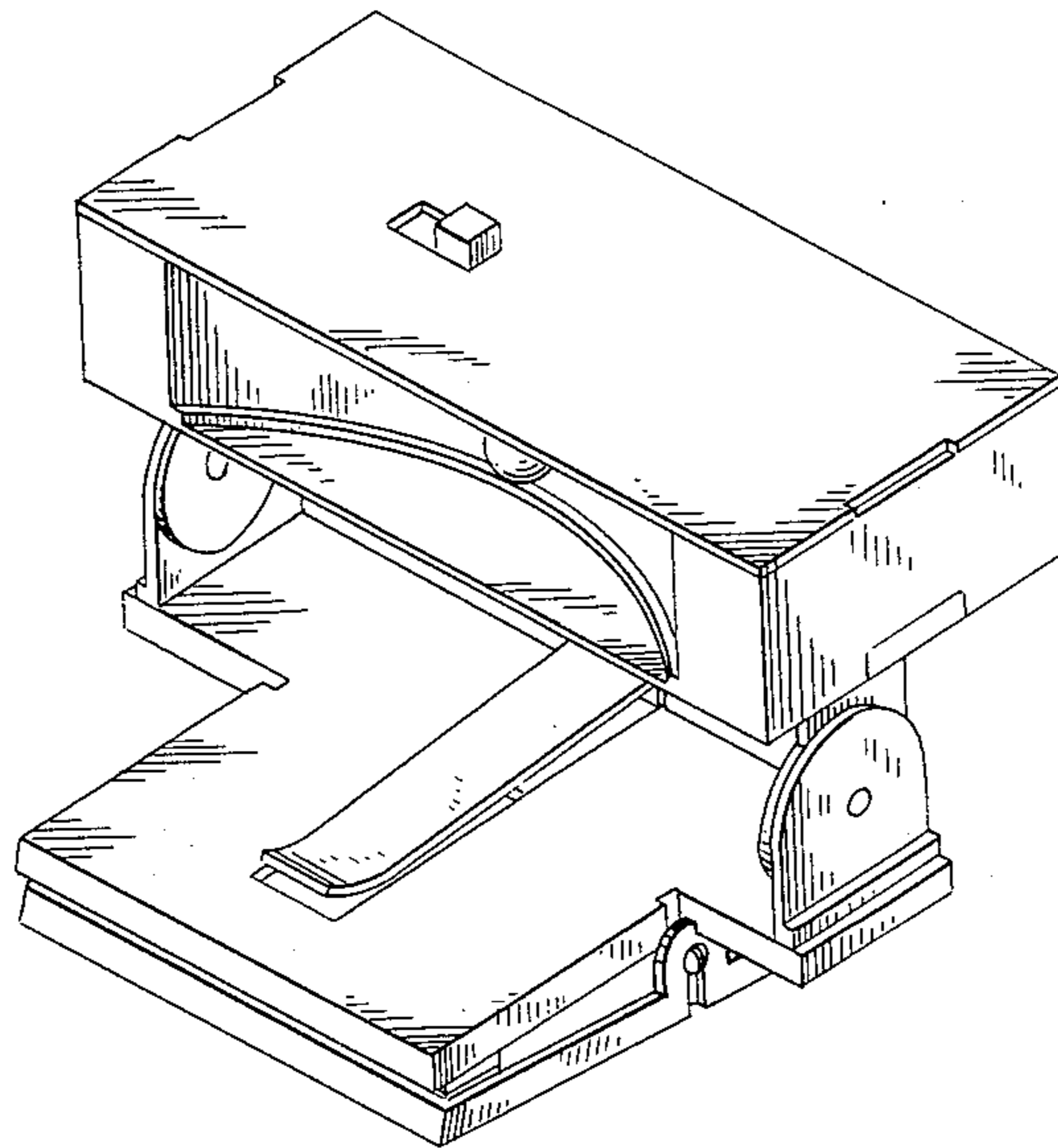
DESCRIPTION

[56] References Cited

U.S. PATENT DOCUMENTS

D. 255,275 6/1980 Brown ..... D26/60  
3,046,389 7/1962 Catelli et al. .... 362/200

FIG. 1 is a perspective view of a booklight embodying my new design;  
FIG. 2 is a rear elevational view thereof;  
FIG. 3 is an elevational view of the side opposite that shown in FIG. 1;  
FIG. 4 is a side elevational view thereof, with the extendable hinges compressed;  
FIG. 5 is a bottom plan view thereof.



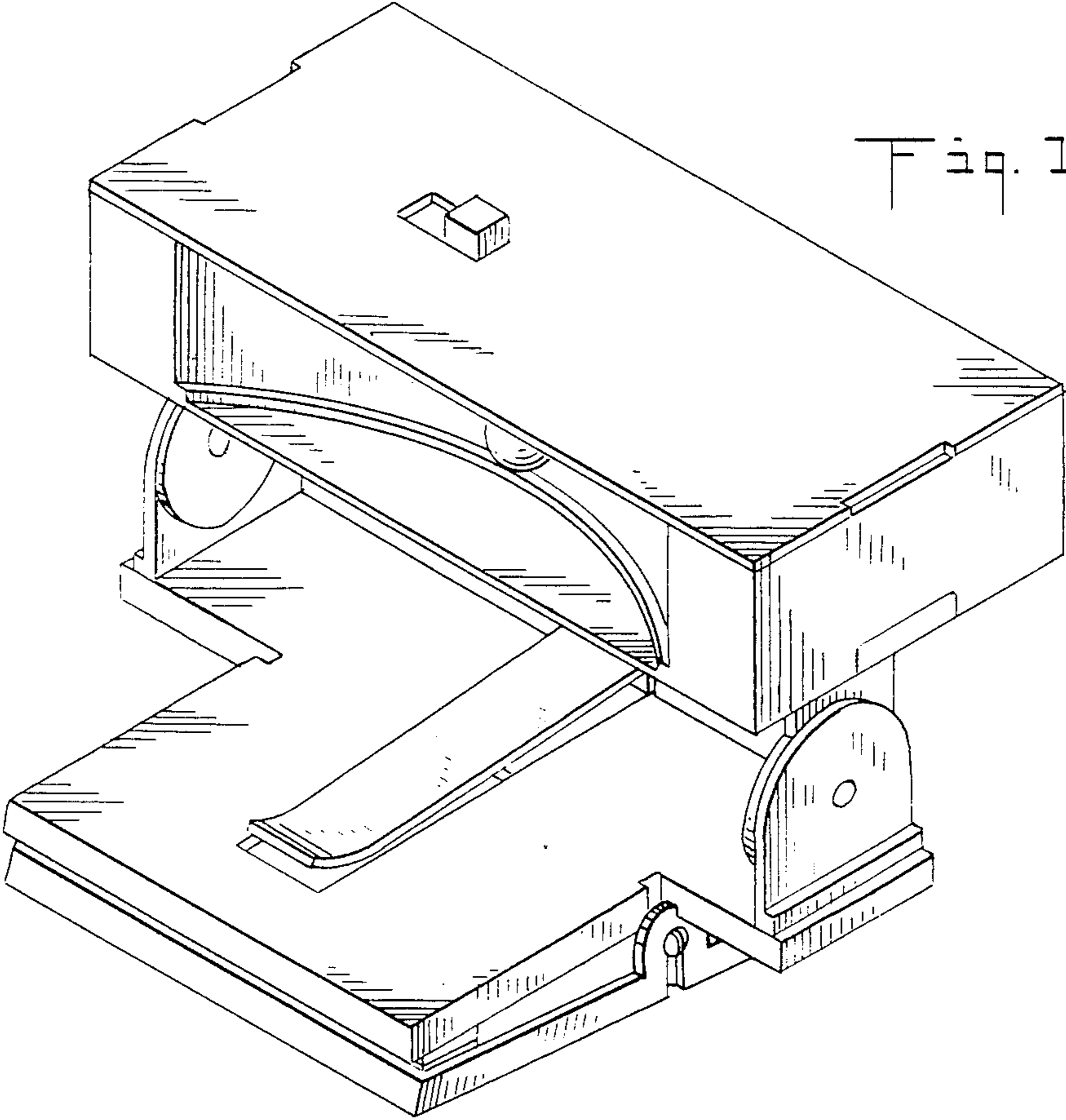


Fig. 1.

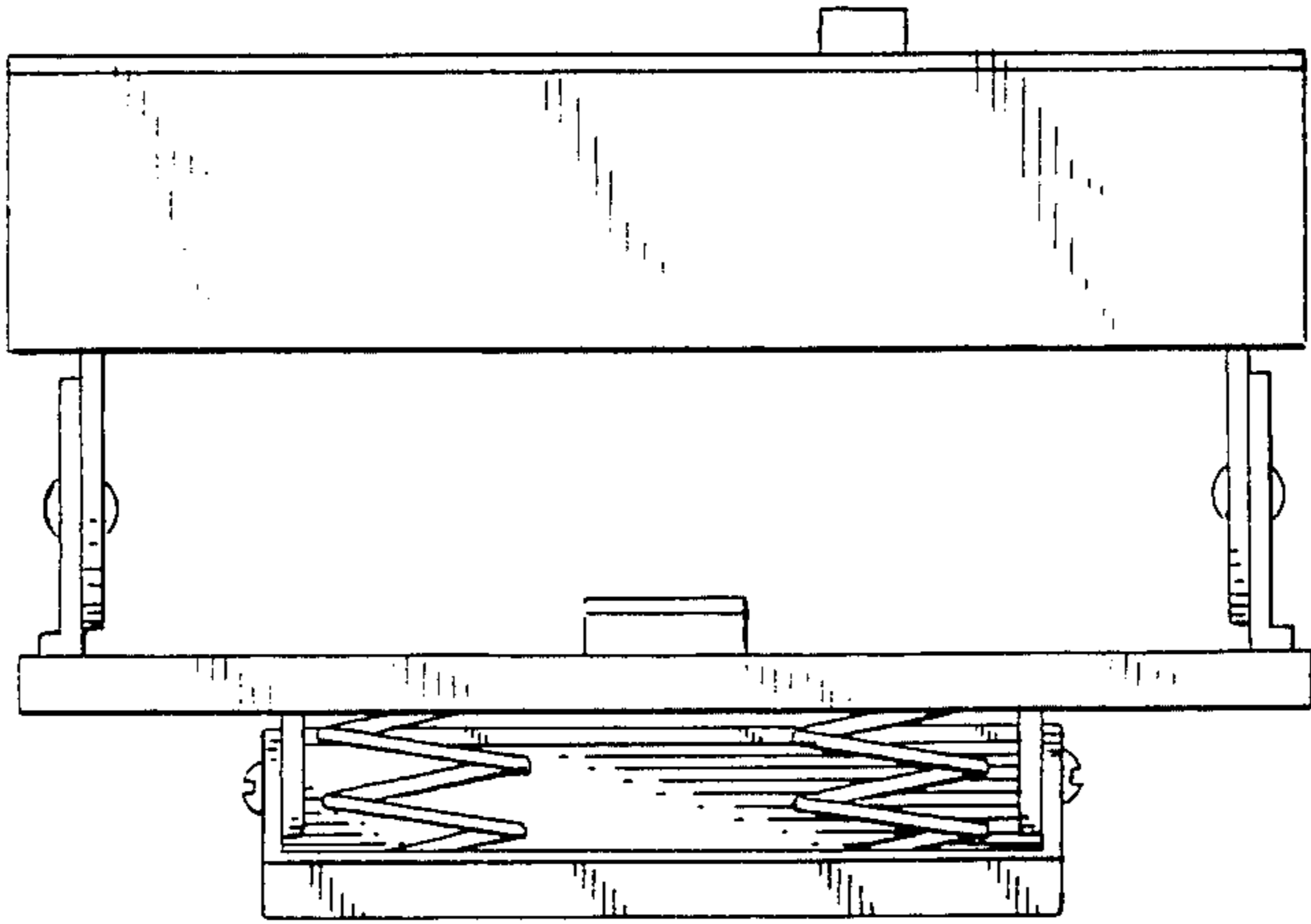


Fig. 2.

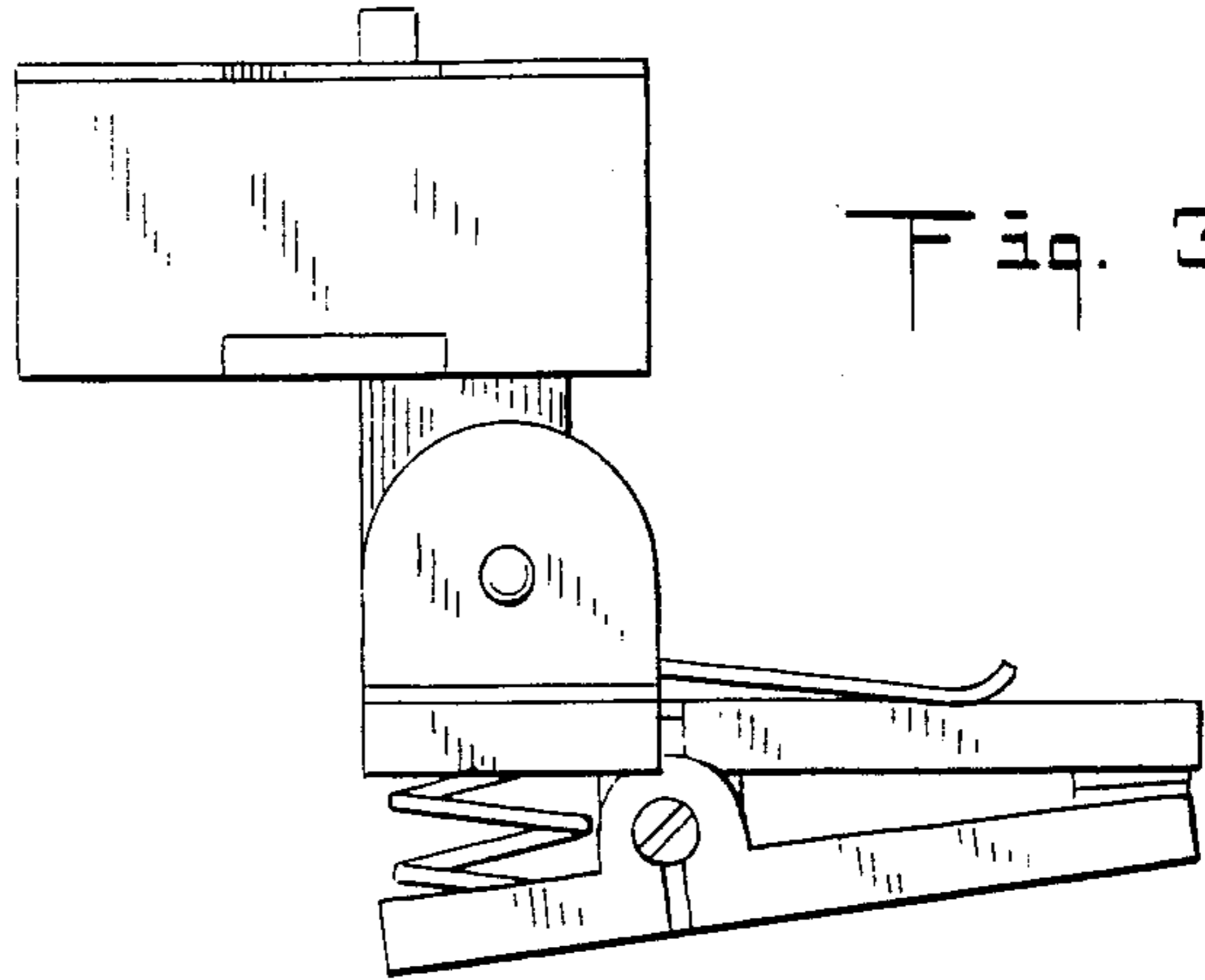


Fig. 3.

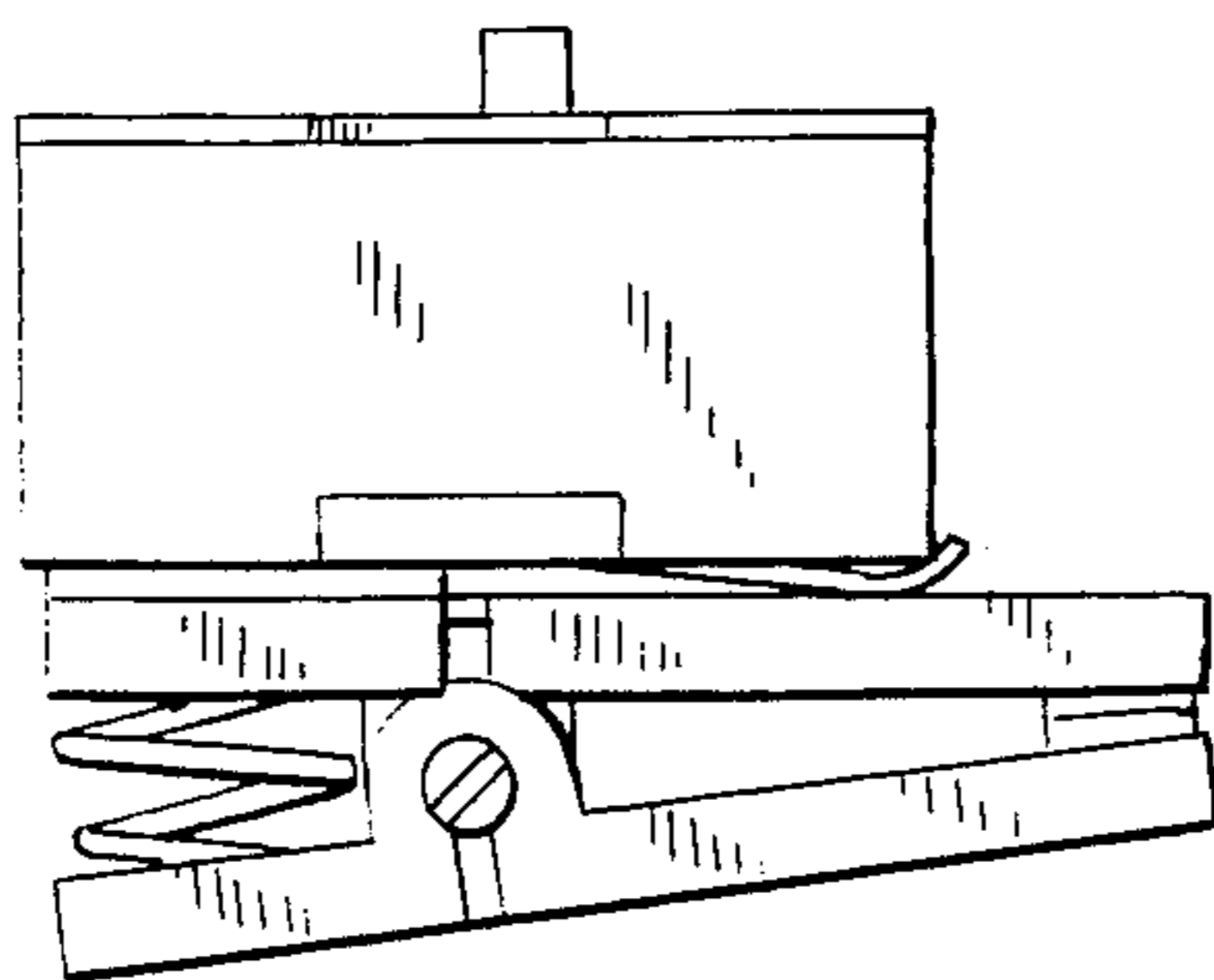


Fig. 4.

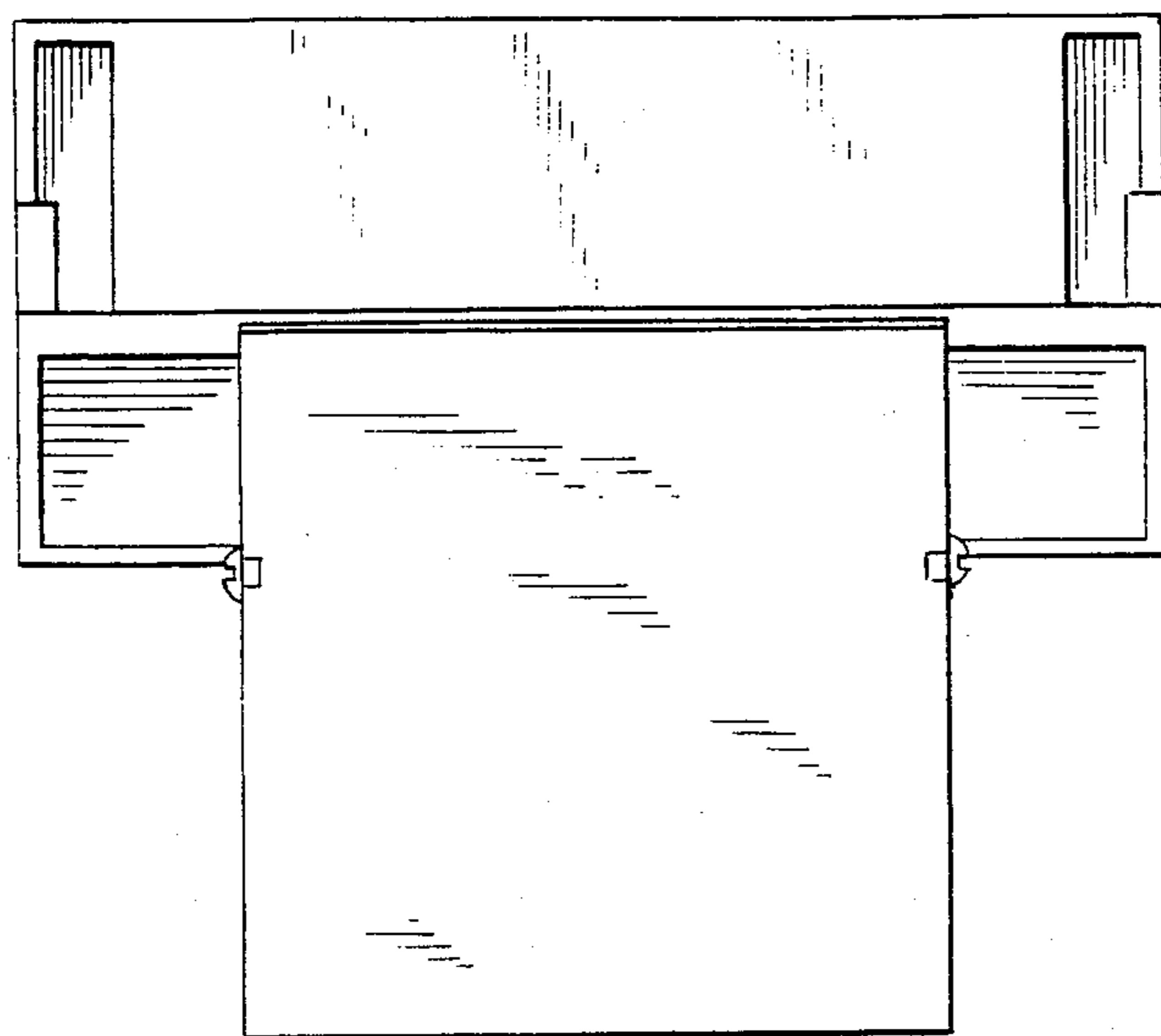


Fig. 5.