

[54] FLUORESCENT LAMP

[75] Inventor: Masumi Suzuki, Funabashi, Japan

[73] Assignee: Tokyo Shibaura Denki Kabushiki Kaisha, Kawasaki, Japan

[**] Term: 14 Years

[21] Appl. No.: 445,040

[22] Filed: Nov. 29, 1982

[52] U.S. Cl. D26/3; D26/26

[58] Field of Search D26/2, 3, 26, 79; 362/216; 313/317, 318, 483, 487, 493, 634; 315/53, 56, 58, 59

[56] References Cited

U.S. PATENT DOCUMENTS

- D. 132,213 4/1942 Miller D26/3
- 2,339,166 1/1944 Harrison 313/318
- 2,846,565 8/1958 Binkley et al. 362/216 X

FOREIGN PATENT DOCUMENTS

- 2603224 8/1977 Fed. Rep. of Germany 313/634

OTHER PUBLICATIONS

Japanese Design Reg. No. 586366, Reg. 07/20/82 For:

Fluorescent Lamp; Inventors: Hiroshi Ito et al., Proprietor: Mitsubishi Electric Corp.

Japanese Design Reg. No. 437859 Reg. 09/20/76 For: Fluorescent Lamp Fitting; Inventors: Toshiyuki Takeda et al.; Proprietor: Mitsubishi Electric Corp.

Japanese Design-of-Similarity No. 1 to Reg. No. 437859, 12/20/77 For: Fluorescent Lamp Fitting; Inventors: Toshiyuki Takeda et al.; Prop: Mitsubishi Electric Corp.

Primary Examiner—Susan J. Lucas

Attorney, Agent, or Firm—Finnegan, Henderson, Farabow, Garrett & Dunner

[57] CLAIM

The ornamental design for a fluorescent lamp, as shown and described.

DESCRIPTION

FIG. 1 is a front, top and right side perspective view of a fluorescent lamp showing my new design;
 FIG. 2 is a front elevational view thereof;
 FIG. 3 is a right side elevational view thereof;
 FIG. 4 is a top plan view thereof;
 FIG. 5 is a bottom plan view thereof;
 FIG. 6 is a rear elevational view thereof; and
 FIG. 7 is a left side elevational view thereof.

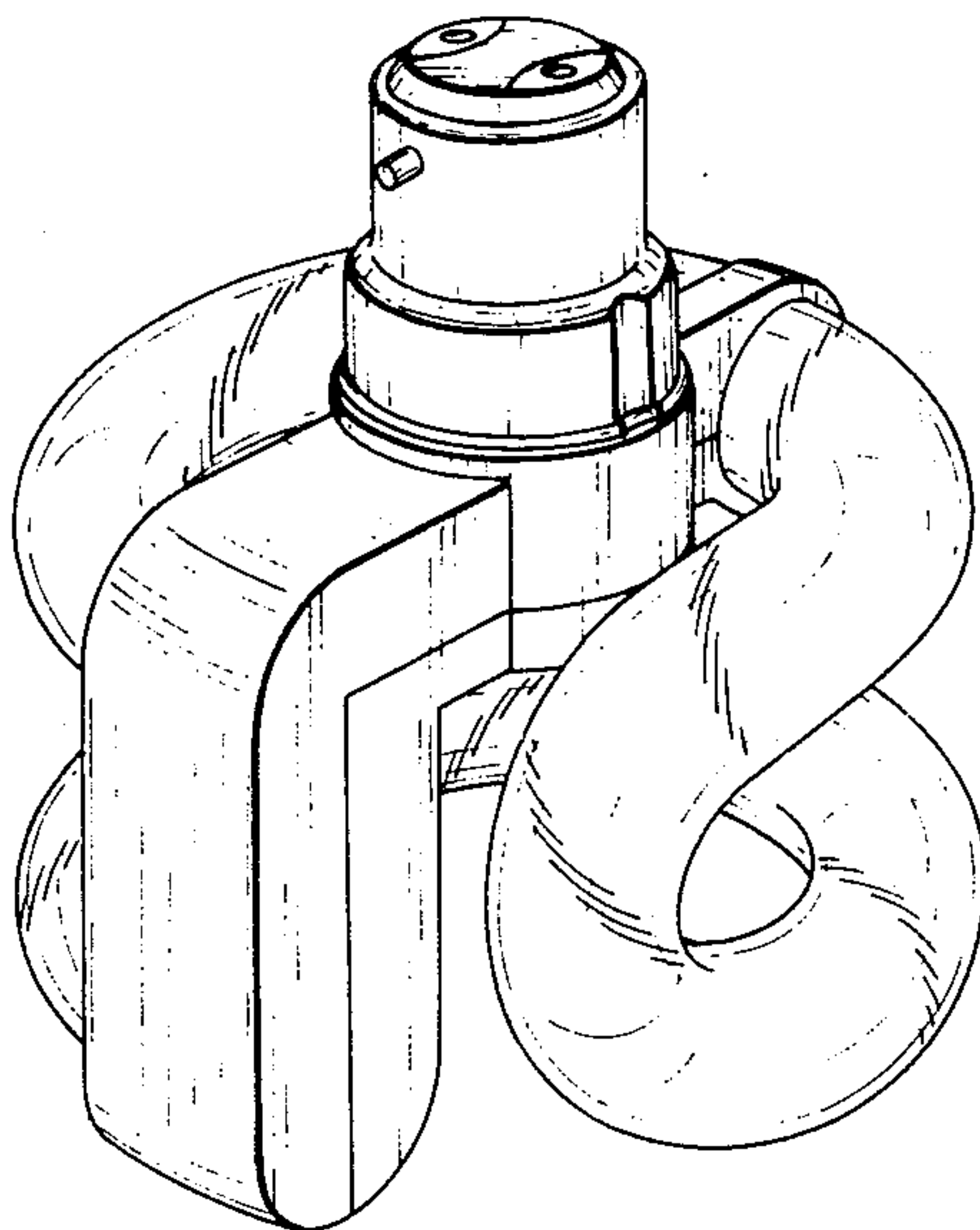


FIG. 1

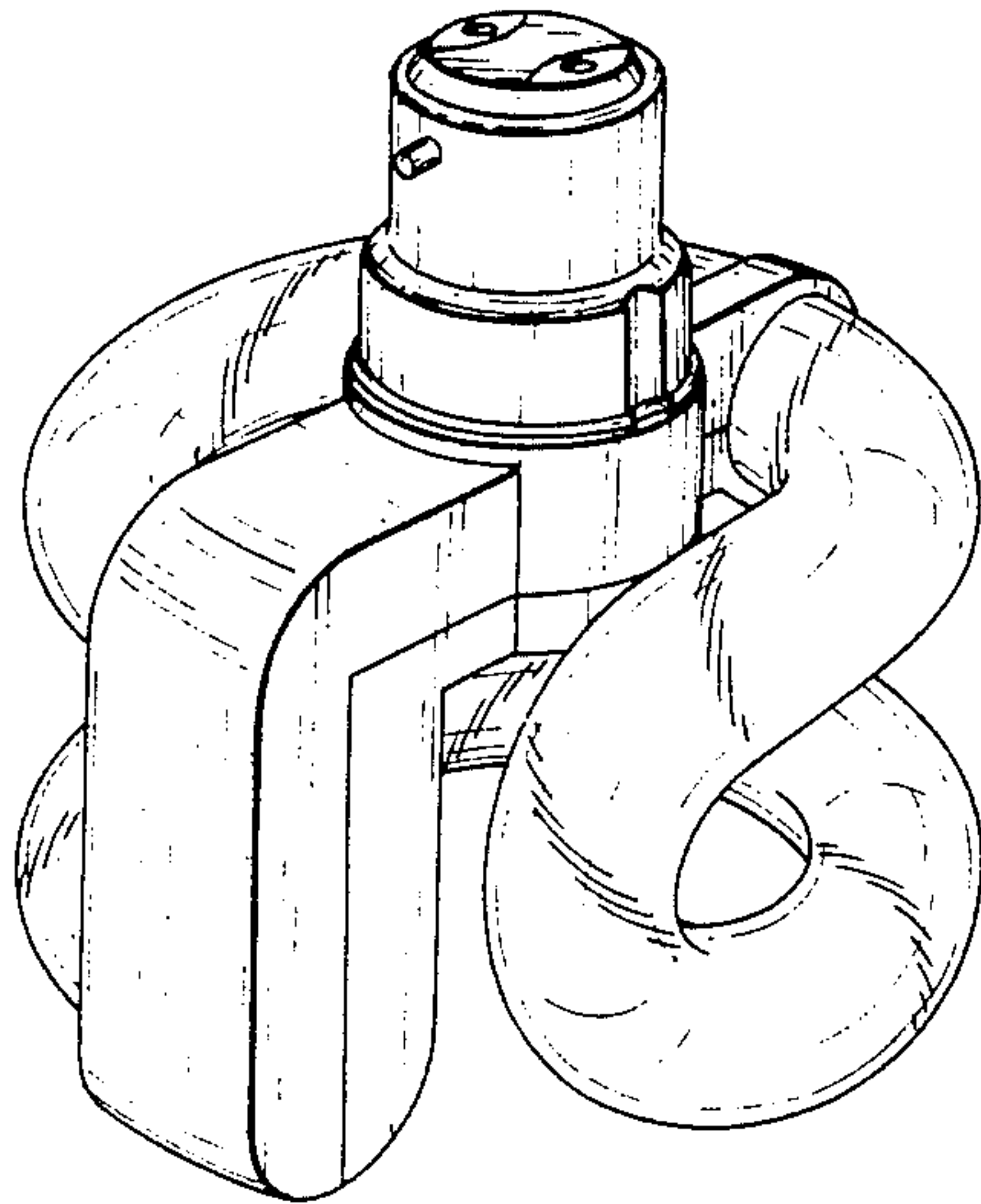


FIG. 2

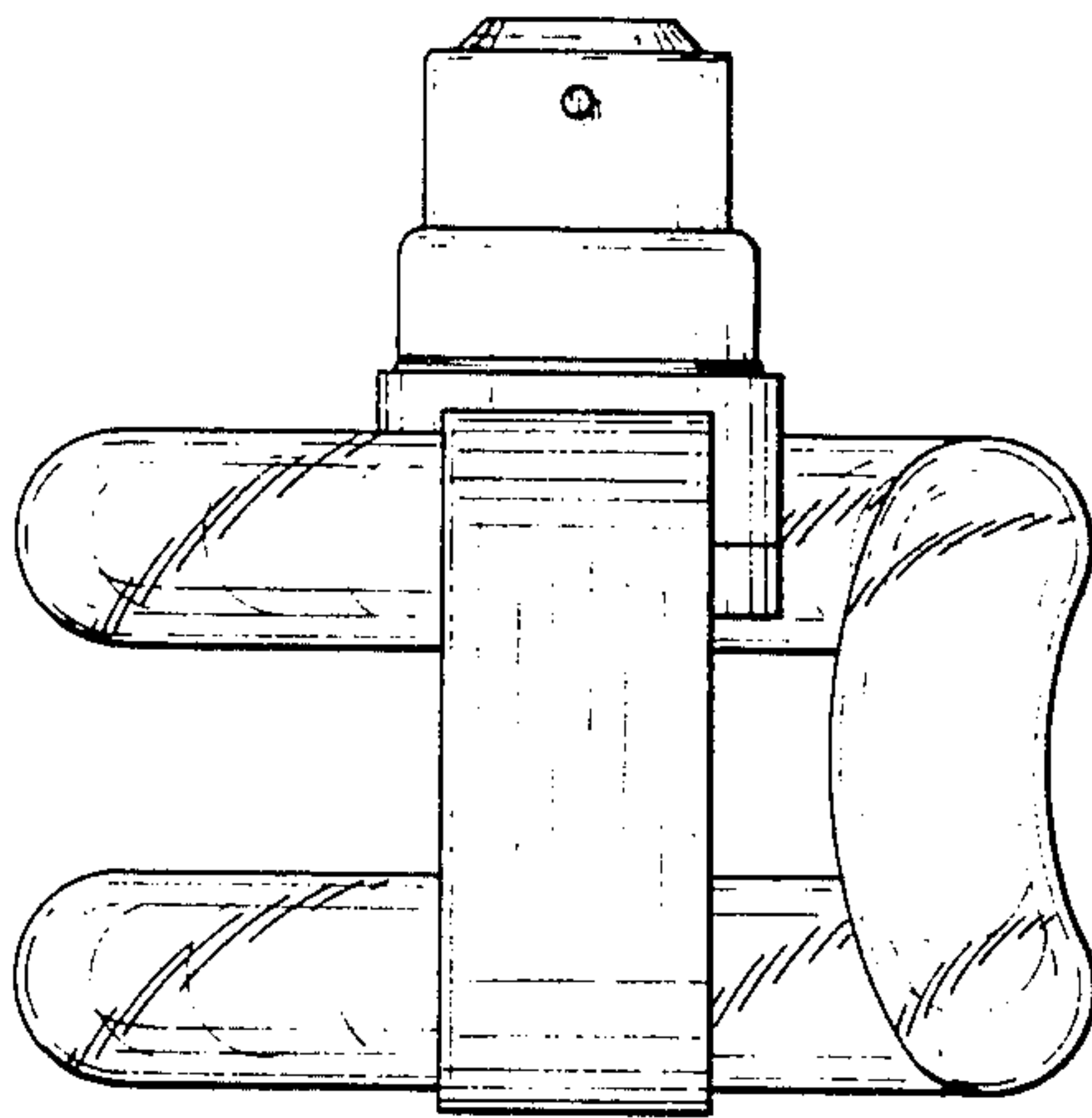


FIG. 3

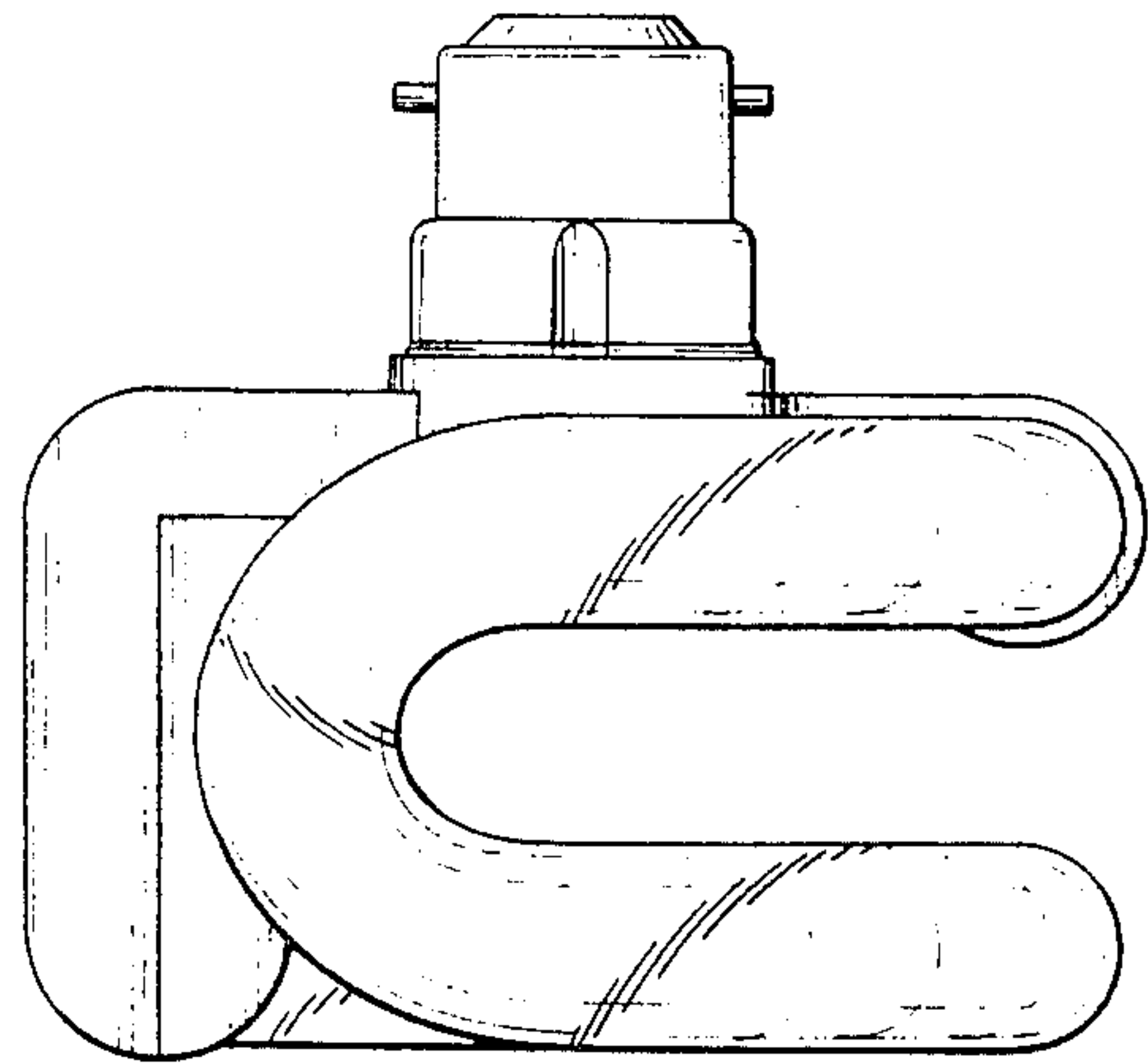


FIG. 4

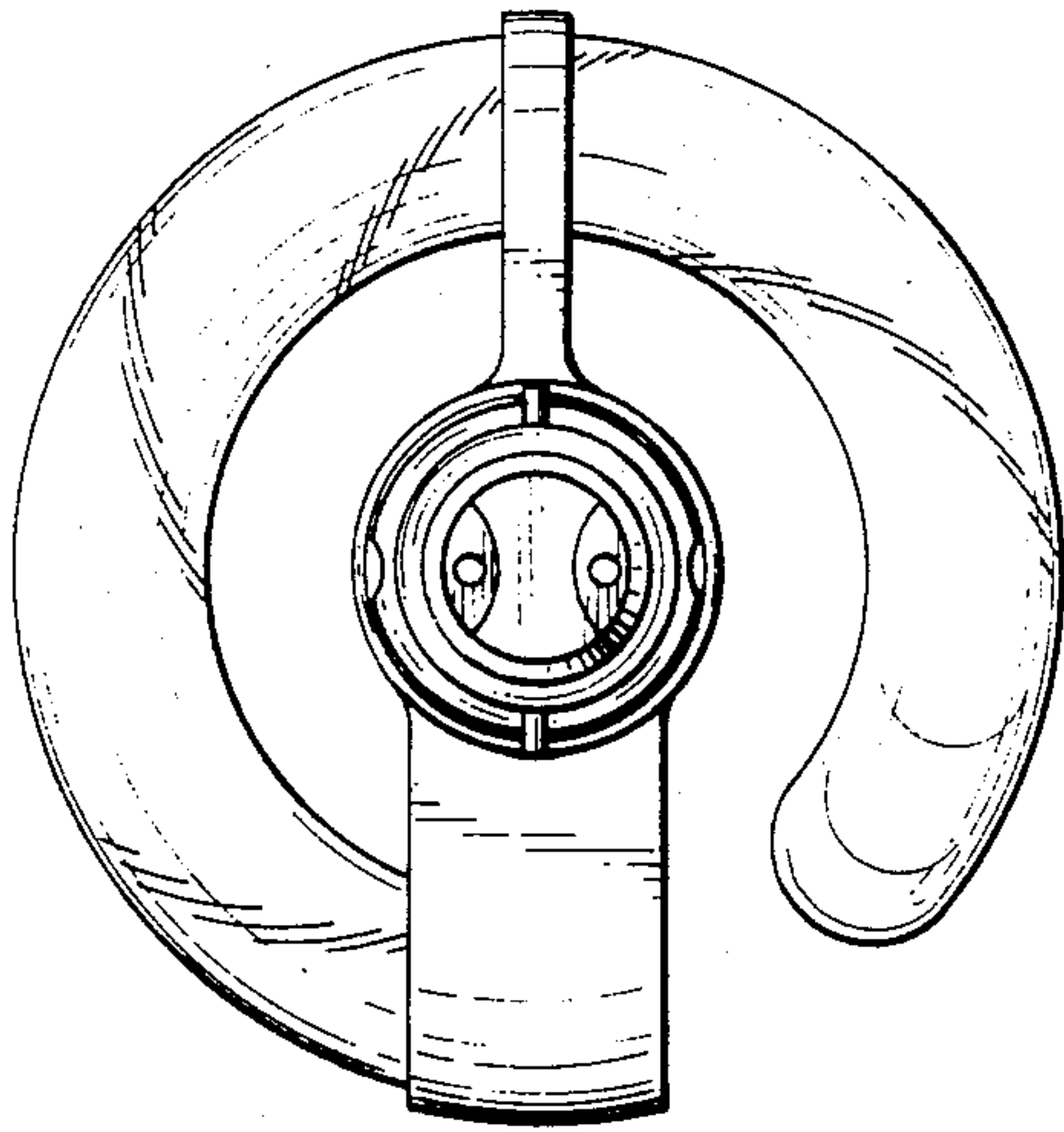


FIG. 5

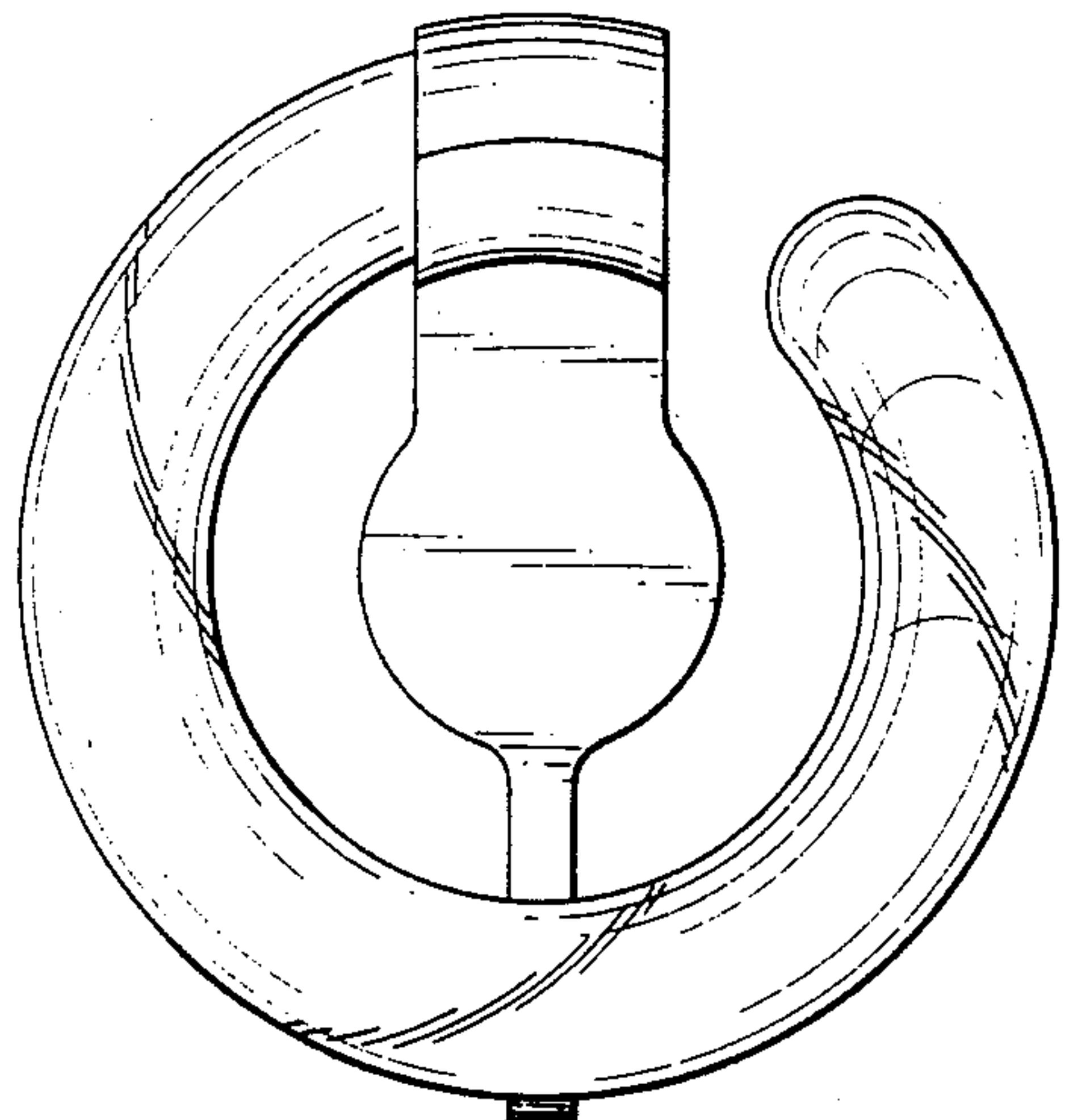


FIG. 6

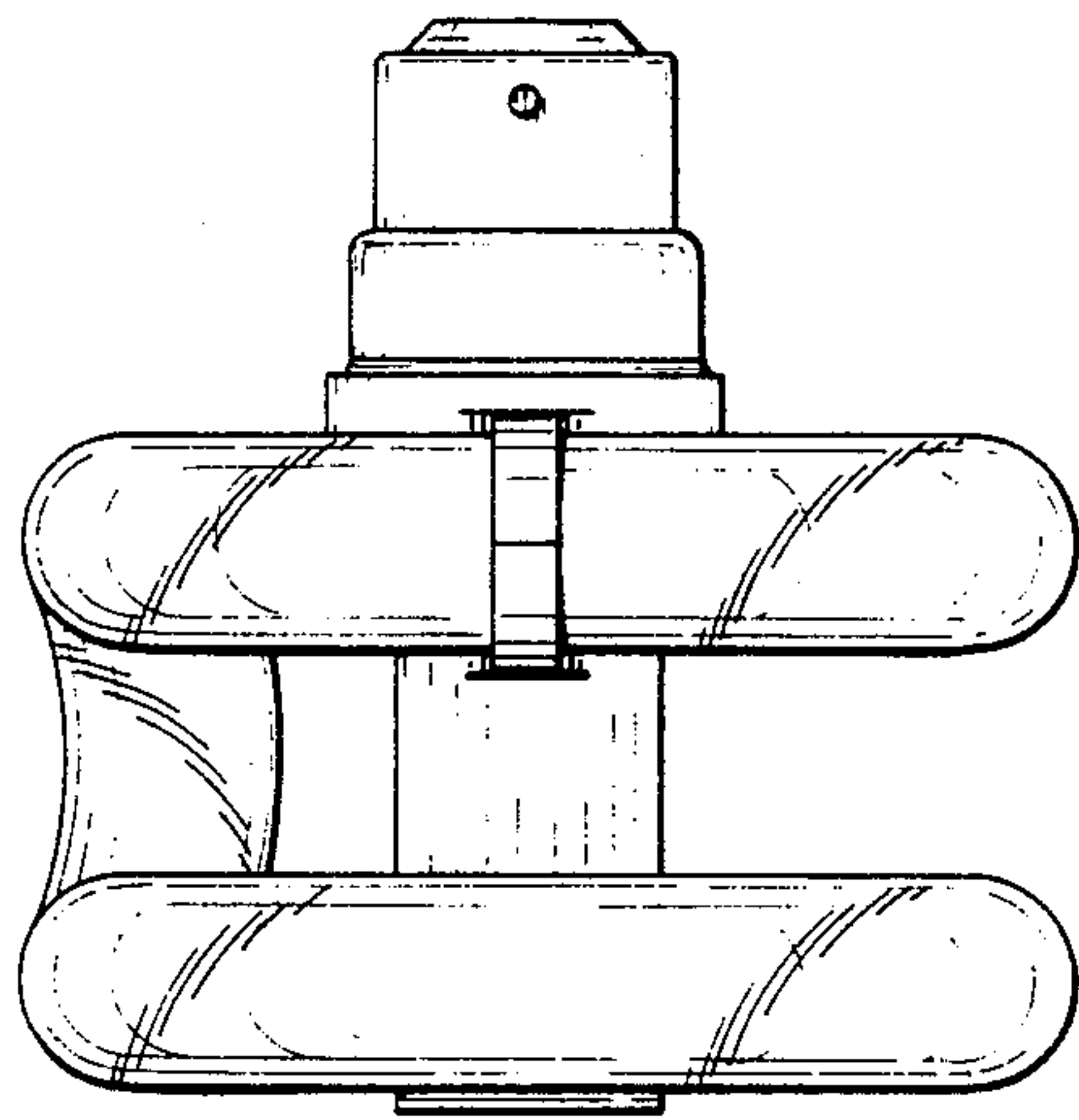


FIG. 7

