

[54] **HEADER FOR CRIBBING**

[76] Inventors: **Angelo Risi; Antonio Risi**, both of P.O. Box 370, Gormley, Ontario, Canada, L0H 1G0

[**] Term: **14 Years**

[21] Appl. No.: **398,290**

[22] Filed: **Sep. 8, 1982**

[30] **Foreign Application Priority Data**

Jun. 24, 1982 [CA] Canada 24-06-82-2
[52] U.S. Cl. **D25/80**
[58] Field of Search 405/16, 35, 34, 33, 405/30, 273, 272, 262, 284, 286; D25/73, 74, 75, 76, 77, 78, 80, 91, 92, 93, 85, 86, 57

[56] **References Cited**

U.S. PATENT DOCUMENTS

1,773,579 8/1930 Flath 405/273
4,175,888 11/1979 Ijima 405/31

FOREIGN PATENT DOCUMENTS

2817549 10/1979 Fed. Rep. of Germany 405/16

Primary Examiner—A. Hugo Word
Attorney, Agent, or Firm—Weldon F. Green

[57] **CLAIM**

The ornamental design for a header for cribbing, as shown and described.

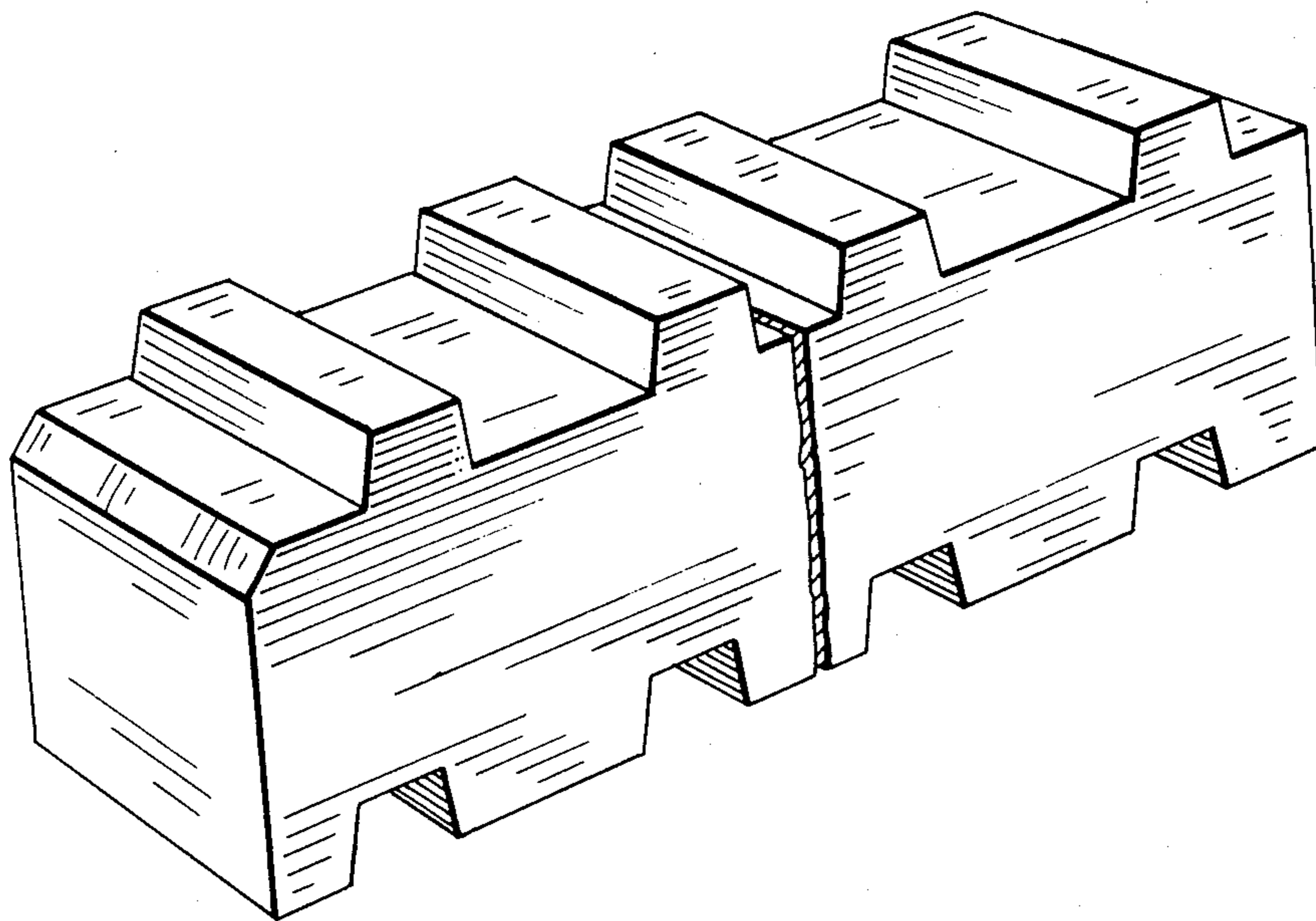
DESCRIPTION

FIG. 1 is a perspective view of the header for cribbing showing our new design from a point forwardly and upwardly and to the left of the front elevation thereof illustrated in FIG. 2;

FIG. 2 is a front elevational view of the header for cribbing showing our new design;

FIG. 3 is a perspective view taken from a point rearwardly and downwardly and to the right of the front elevation of the header for cribbing illustrated in FIG. 2;

FIG. 4 is an end elevational view taken from the right of the header for cribbing illustrated in FIG. 2.



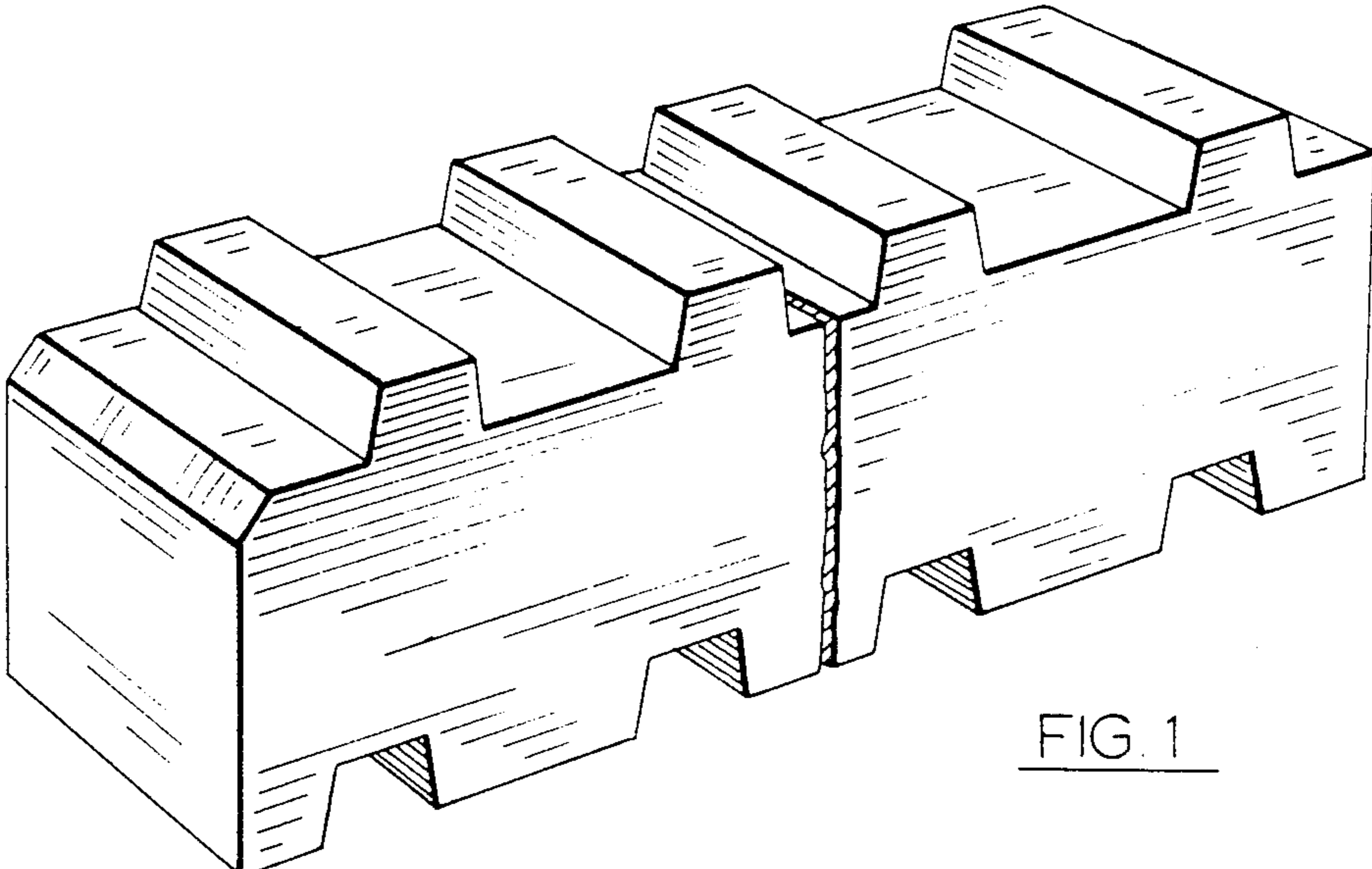


FIG. 1

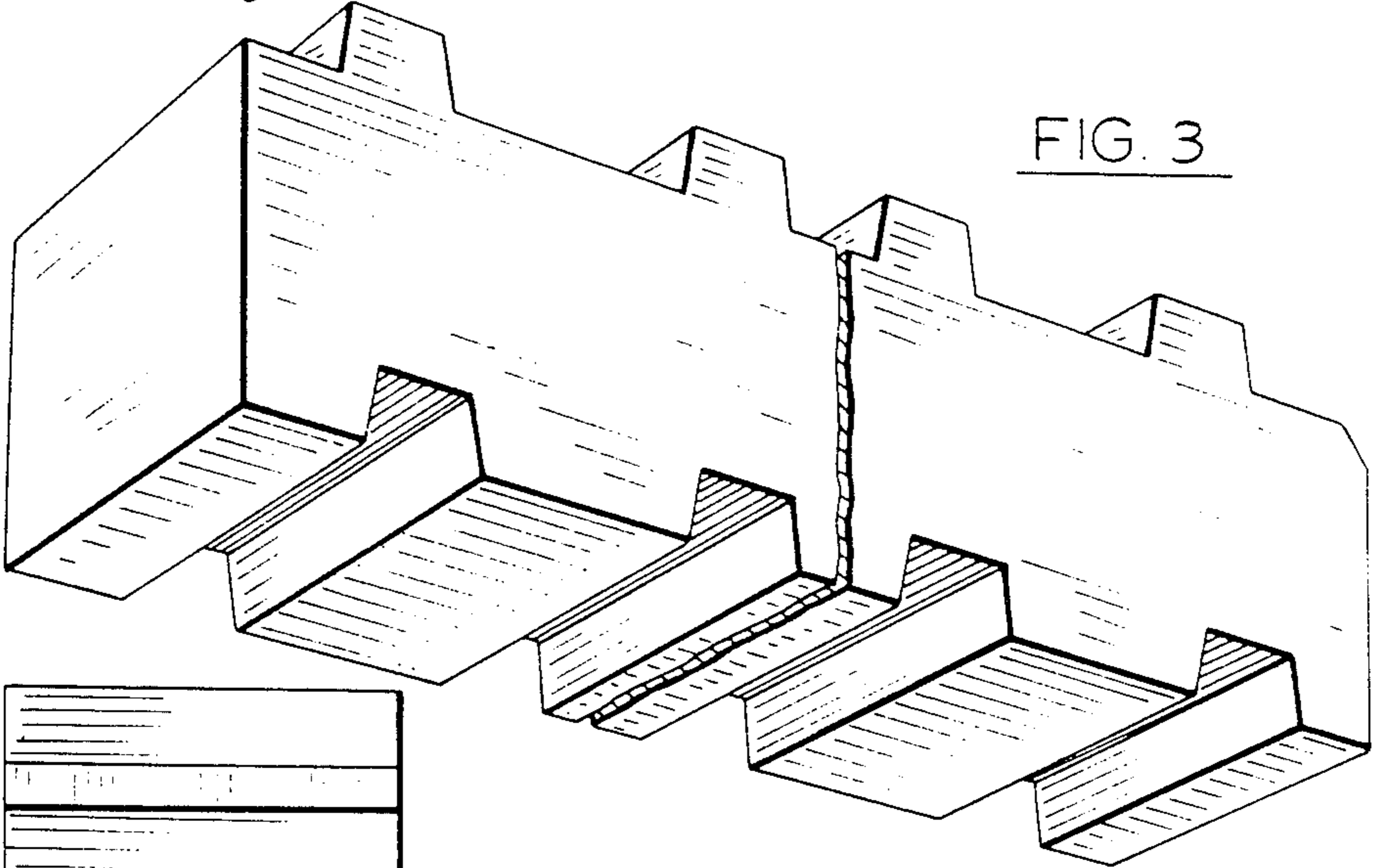


FIG. 3

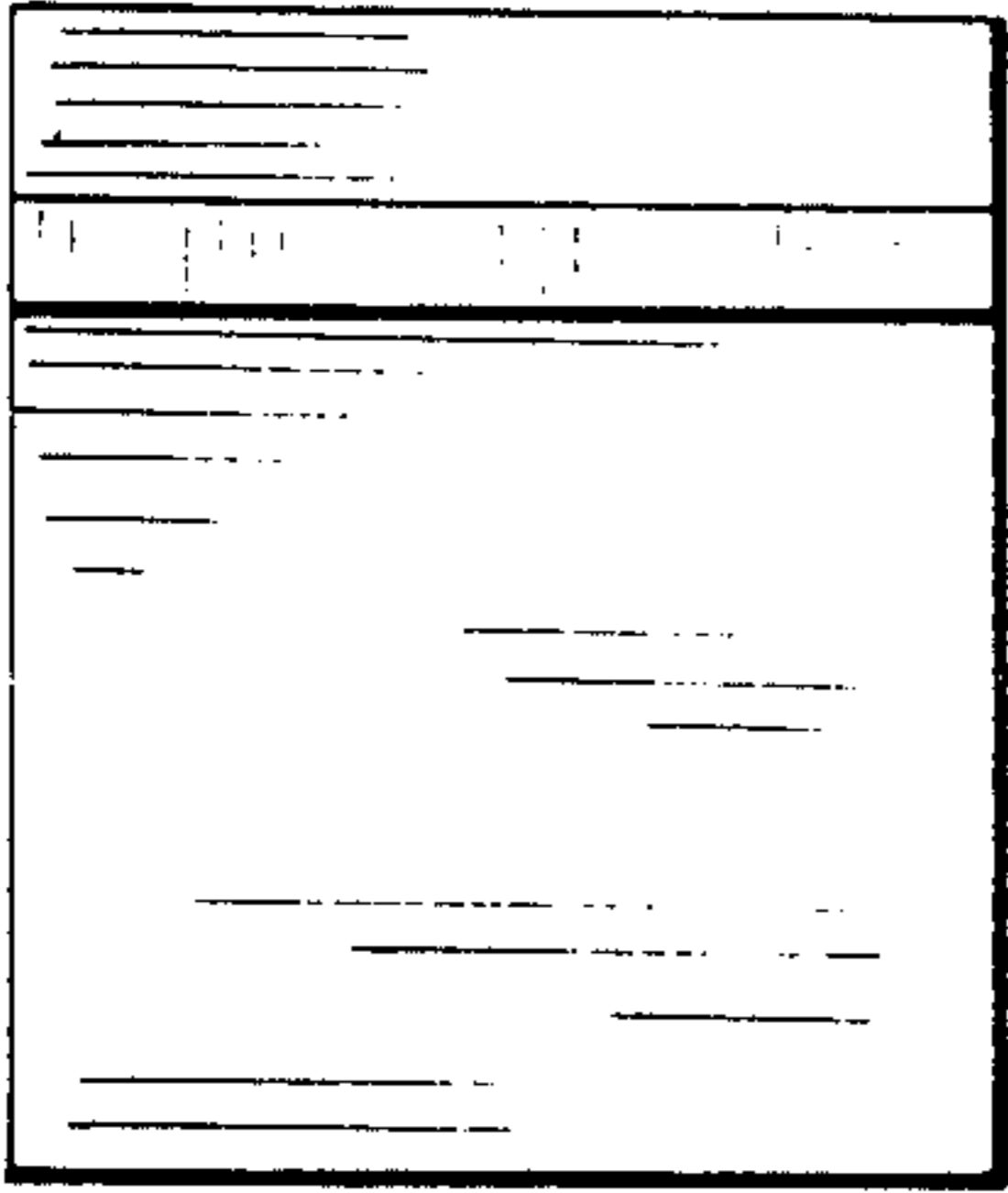


FIG. 4

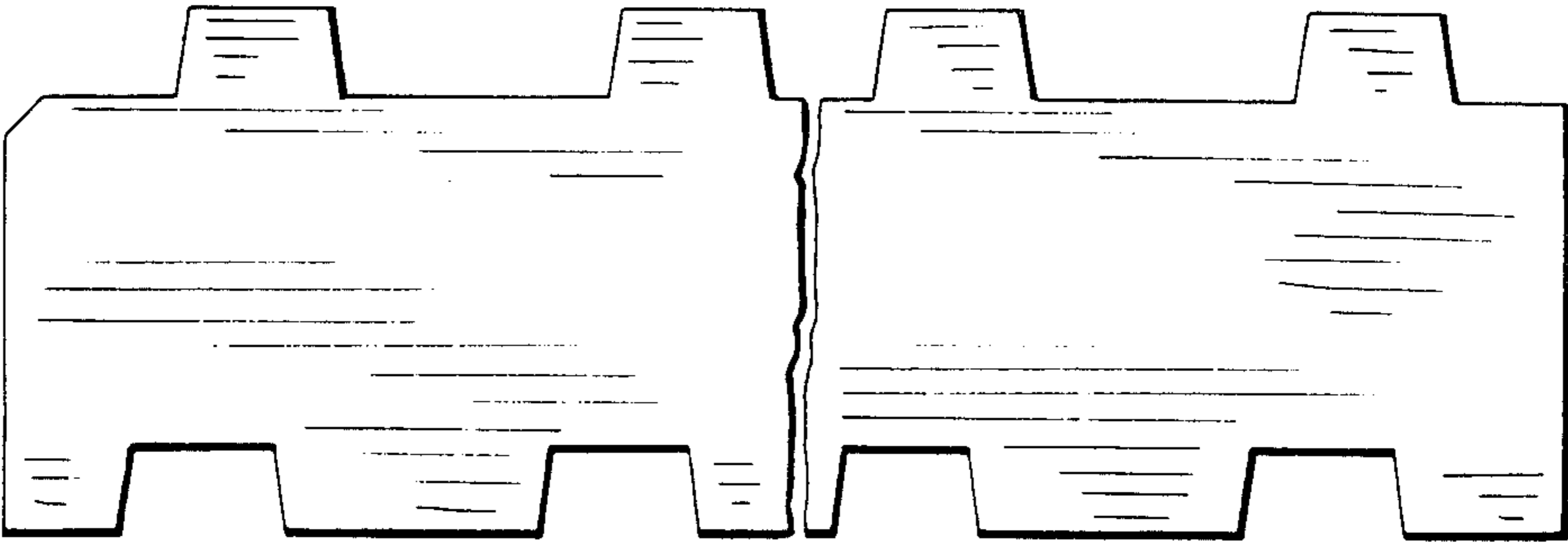


FIG. 2