

[54] **BLOWER UNIT FOR PORTABLE HEATER**

[75] Inventor: **Wayne F. Sieverding**, Marshalltown, Iowa

[73] Assignee: **Western Manufacturing Corporation**, Marshalltown, Iowa

[\*\*] Term: **14 Years**

[21] Appl. No.: **429,304**

[22] Filed: **Sep. 30, 1982**

[52] U.S. Cl. .... **D23/155; D23/127; D23/162**

[58] **Field of Search** ..... 126/201, 202, 110, 67, 126/58, 83; 237/52, 79; 165/39; 219/367; D23/127, 139, 140, 151, 155, 161, 162

2,035,653 3/1936 Haskell .

2,348,127 5/1944 Grimes ..... 126/110

3,324,938 6/1967 Berkoff ..... 126/110 B

4,379,446 4/1983 Porter ..... 126/110 B

4,392,478 7/1983 Black ..... 126/110 D X

4,458,666 7/1984 Osada ..... 126/110 B

**FOREIGN PATENT DOCUMENTS**

2021249 11/1979 United Kingdom .

*Primary Examiner*—Catherine E. Kemper  
*Attorney, Agent, or Firm*—James C. Nemmers

[57] **CLAIM**

The ornamental design for a blower unit for portable heater, as shown.

**DESCRIPTION**

FIG. 1 is a top left rear perspective view of a blower unit for a portable heater, showing my new design; FIG. 2 is a lower right front perspective view thereof; and FIG. 3 is a front elevational view thereof.

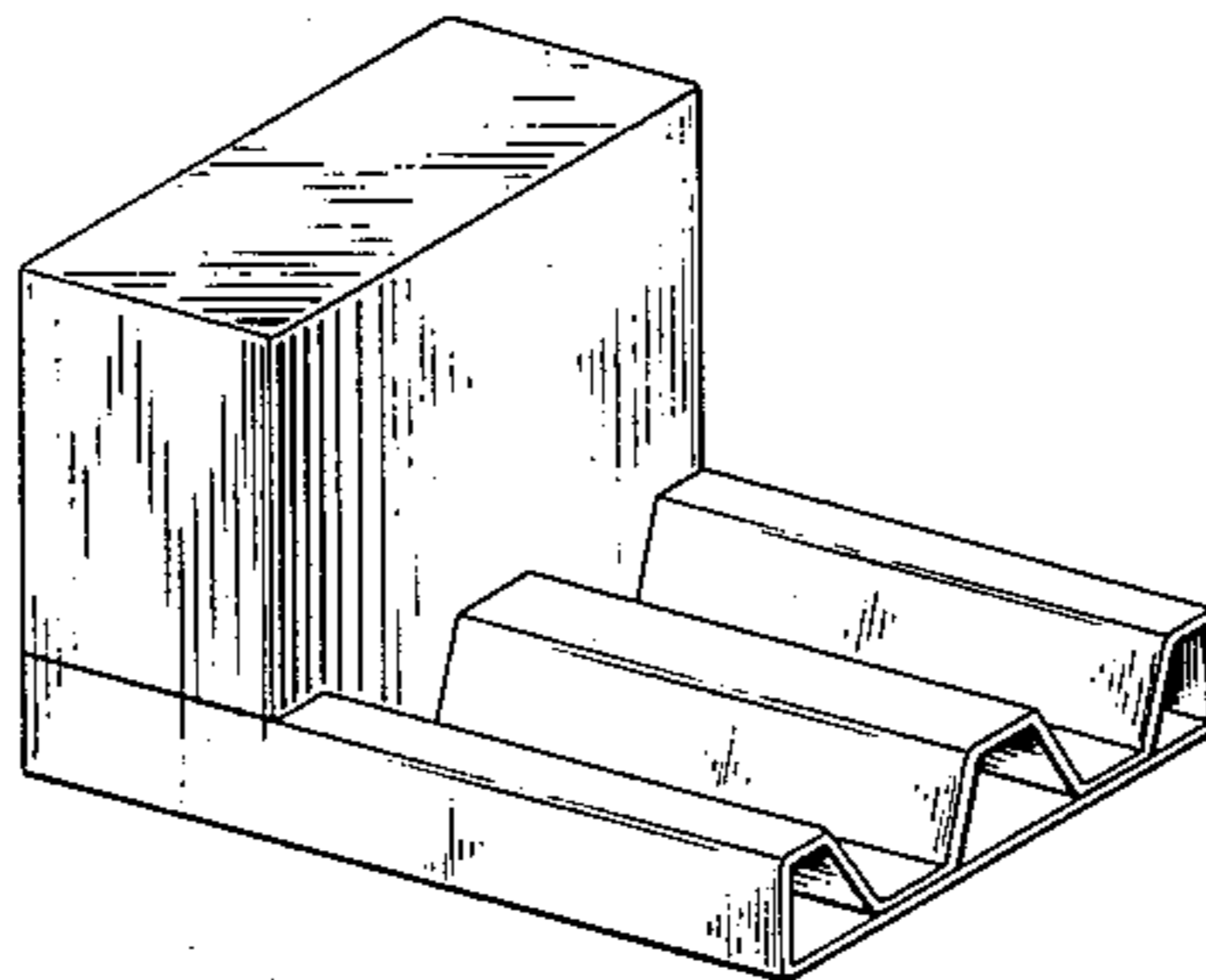
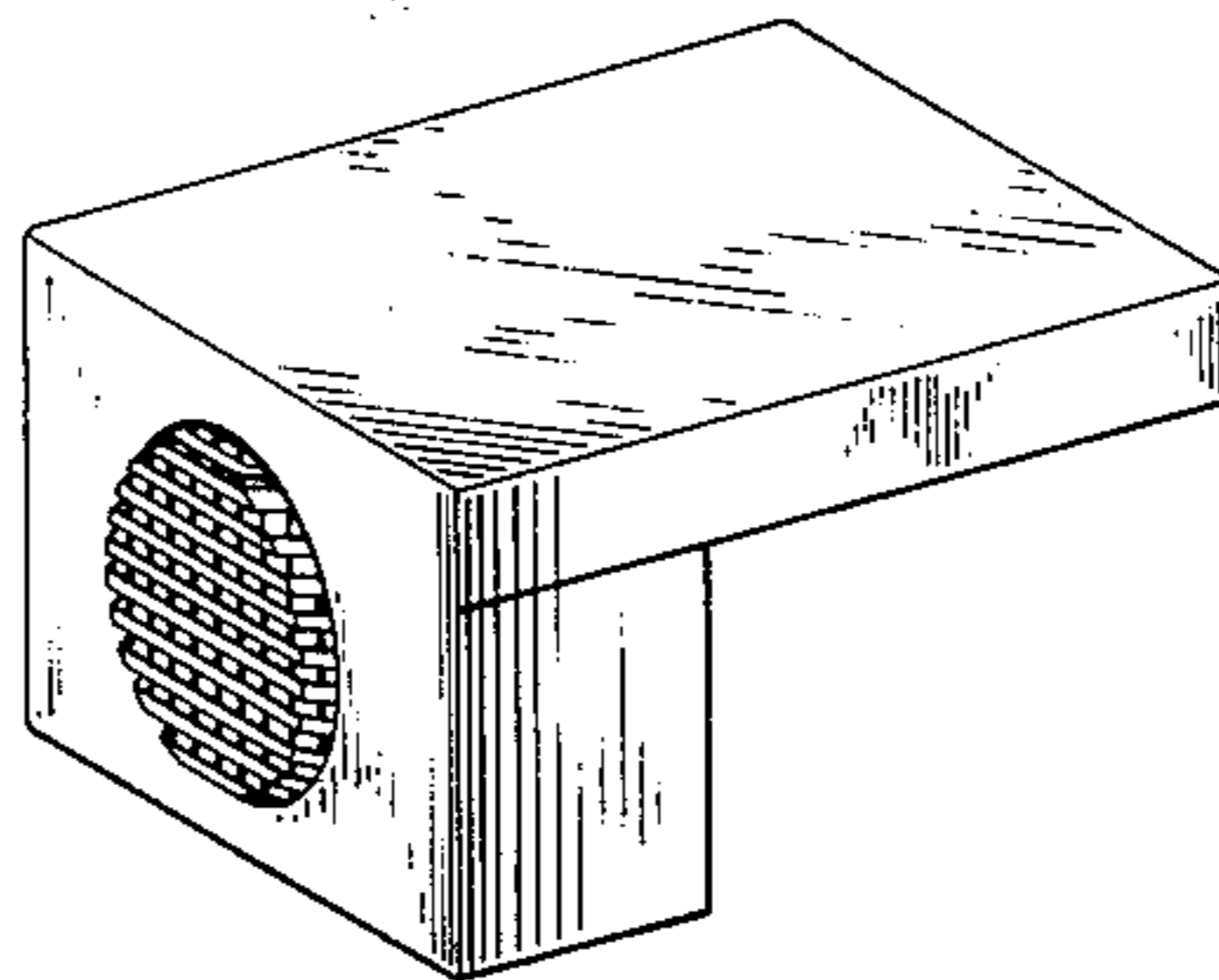
[56] **References Cited**

**U.S. PATENT DOCUMENTS**

D. 156,294 11/1949 Trow .

1,590,948 6/1926 Kelly ..... 126/58

1,745,828 2/1930 Barnes ..... 237/79



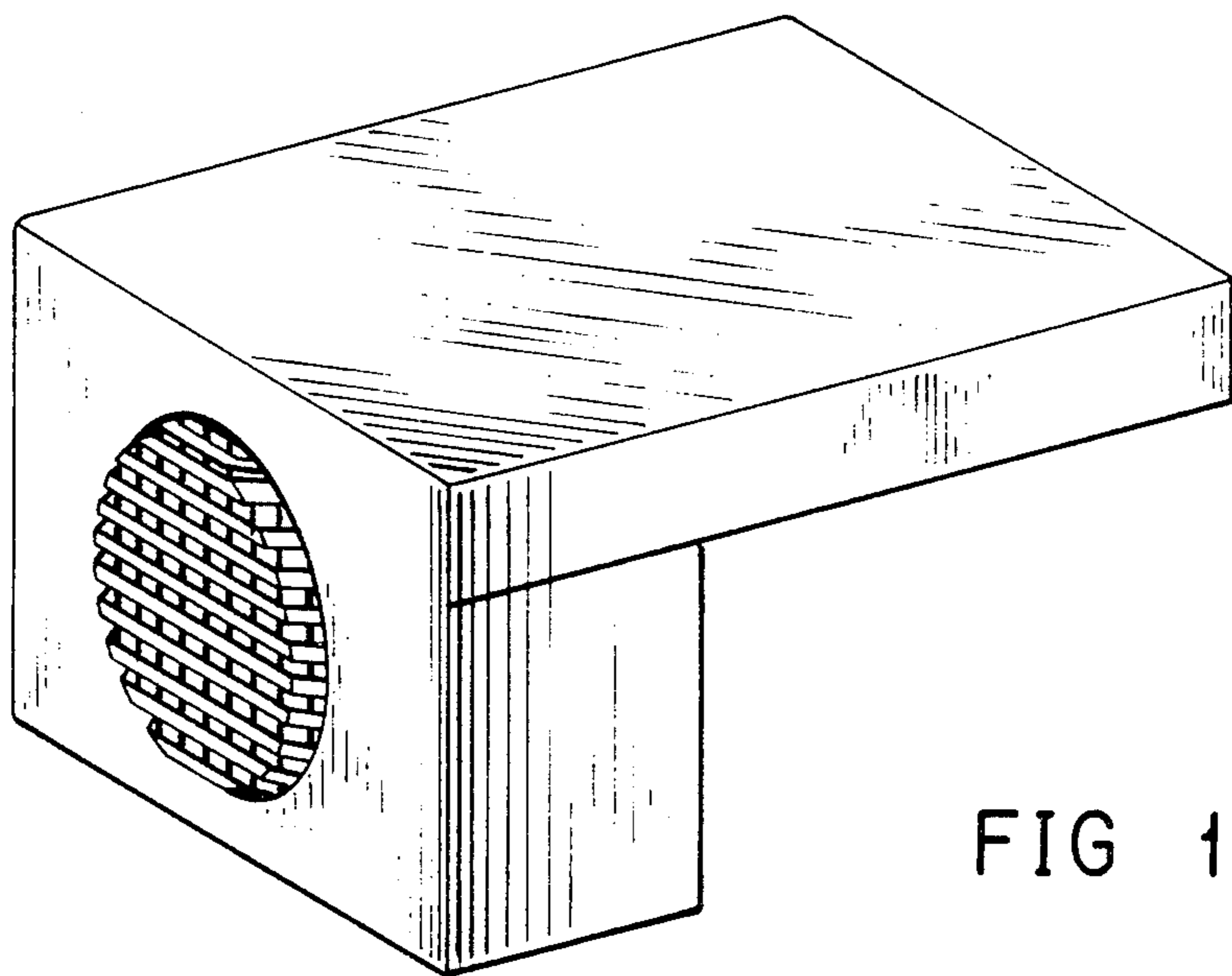


FIG 1

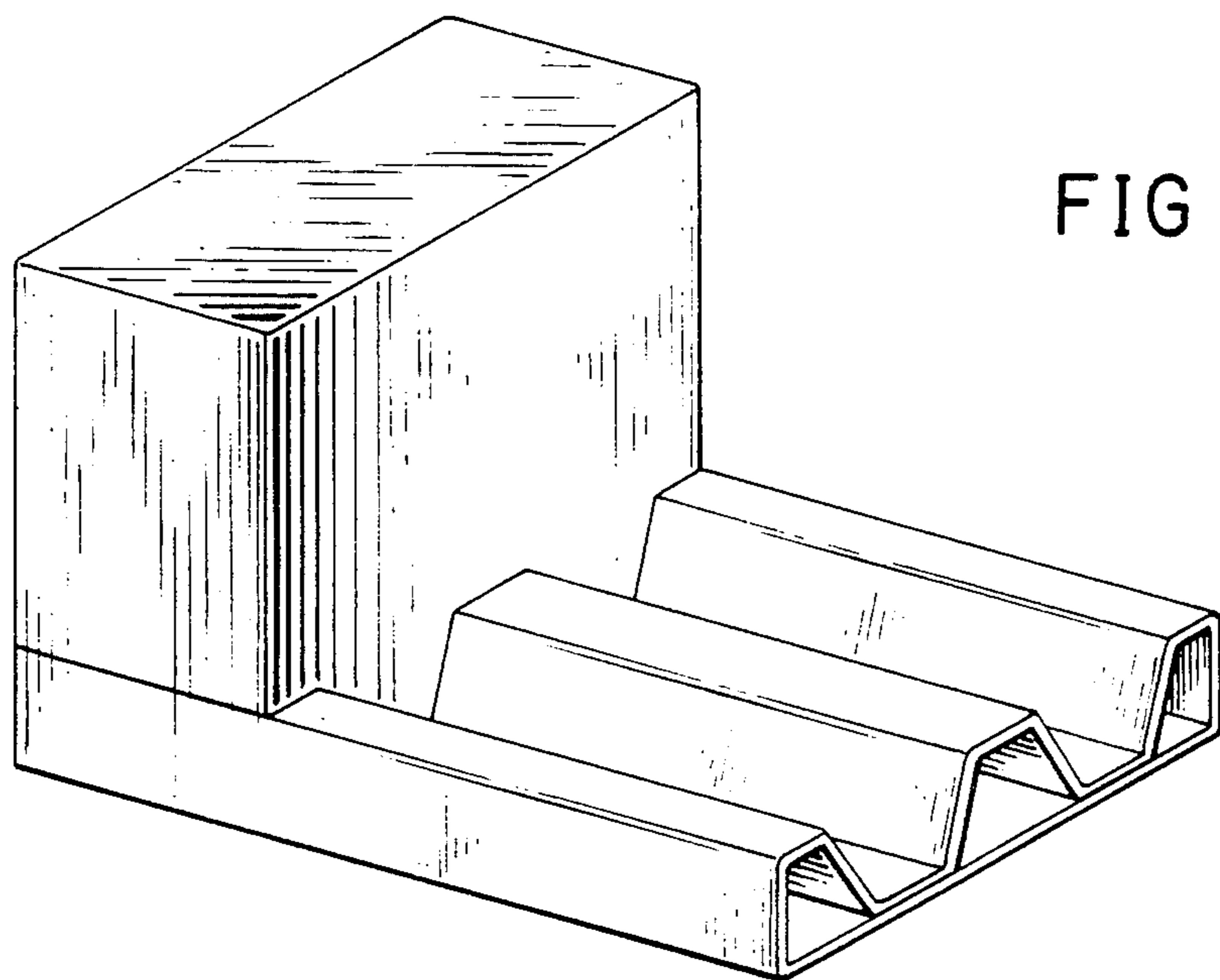


FIG 2

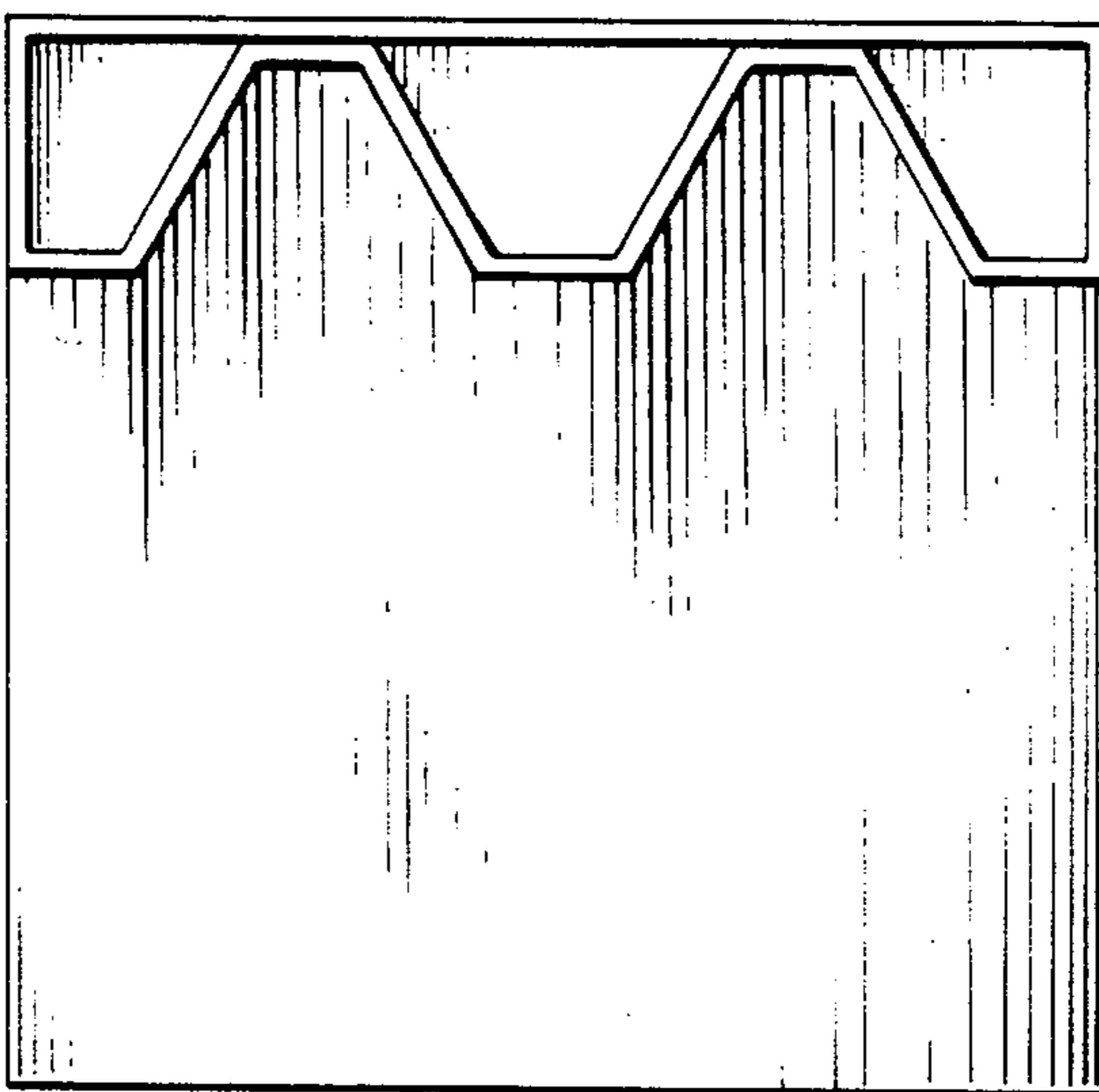


FIG 3