

[54] BATHTUB OR THE LIKE

[75] Inventors: Herbert V. Kohler, Jr., Kohler; Donald W. Doman, Janesville, both of Wis.

[73] Assignee: Kohler Co., Kohler, Wis.

[\*\*] Term: 14 Years

[21] Appl. No.: 506,654

[22] Filed: Jun. 22, 1983

[52] U.S. Cl. .... D23/55; D24/38

[58] Field of Search ..... D23/55, 56; D24/38; 4/538, 541-544, 546, 559, 573, 574, 576, 577, 582-584, 589, 590, 594, 607

[56] References Cited

U.S. PATENT DOCUMENTS

D. 227,101	6/1973	Primault	.....	D23/55
D. 244,855	6/1977	Doman	.....	D23/55
D. 253,547	11/1979	Beddome et al.	.....	D23/55
D. 265,582	7/1982	Kohler, Jr.	.....	D23/55
D. 269,460	6/1983	Kohler, Jr.	.....	D24/38
D. 275,597	9/1984	Lax	.....	D24/38
D. 276,456	11/1984	Primault	.....	D23/55
1,445,243	2/1923	Spaleck	.....	4/584
4,316,294	2/1982	Baldwin	.....	4/538

OTHER PUBLICATIONS

Shires Flyer Entitled "Concerto" Dated Aug., 1982, Showing Concerto Bath, p. 2.

Spring Flyer Entitled "Genesis-New Spring Fashions

To Fit Your Bathroom", Undated, Showing The Genesis Bath, p. 2.

The final page of a 1983 Kidde Advertisement Entitled "Lumiere Collection" Showing The Jacuzzi The Bath bath.

The 1982 "Kohler Co. K-300 Plumbing Products Catalog", Admitted Prior Art, pp. 12a, 15, 16, 19, and 23.

A Zin-Plas Advertisement, Undated, Showing A Bow-Tie Overflow Plate, p. 2.

Primary Examiner—James R. Largen

Attorney, Agent, or Firm—Quarles & Brady

[57] CLAIM

The ornamental design for a bathtub or the like, as shown and described.

DESCRIPTION

FIG. 1 is a top perspective view of a bathtub or the like showing my new design;

FIG. 2 is a top plan view thereof;

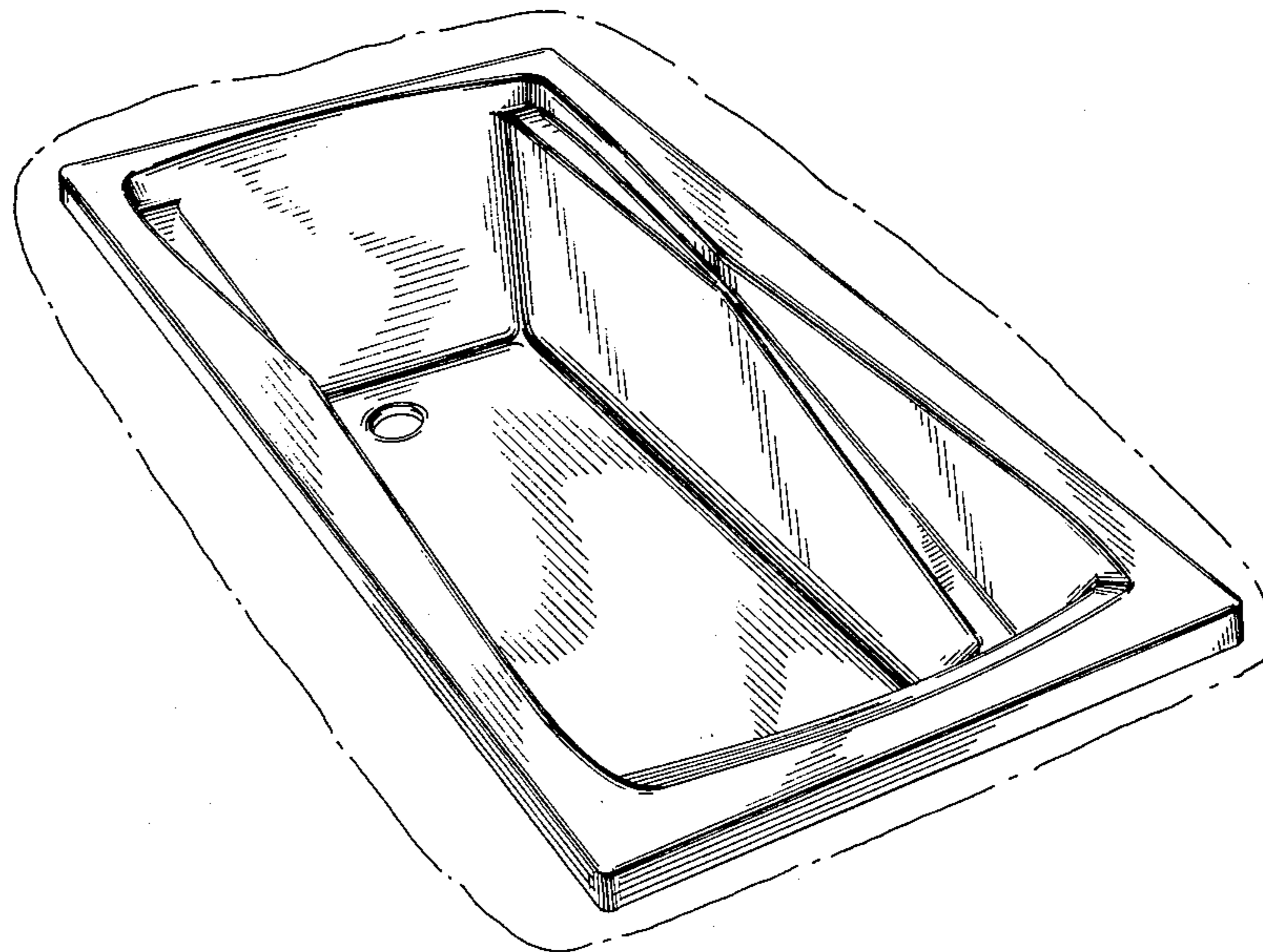
FIG. 3 is a cross sectional view taken on line 3—3 of FIG. 2;

FIG. 4 is an enlarged cross sectional view taken on line 4—4 of FIG. 2;

FIG. 5 is an enlarged cross sectional view taken on line 5—5 of FIG. 2; and

FIG. 6 is an enlarged cross sectional view taken on line 6—6 of FIG. 2.

The fragmentary broken line representation of a bathroom island in FIG. 1 is for purposes of illustration only.



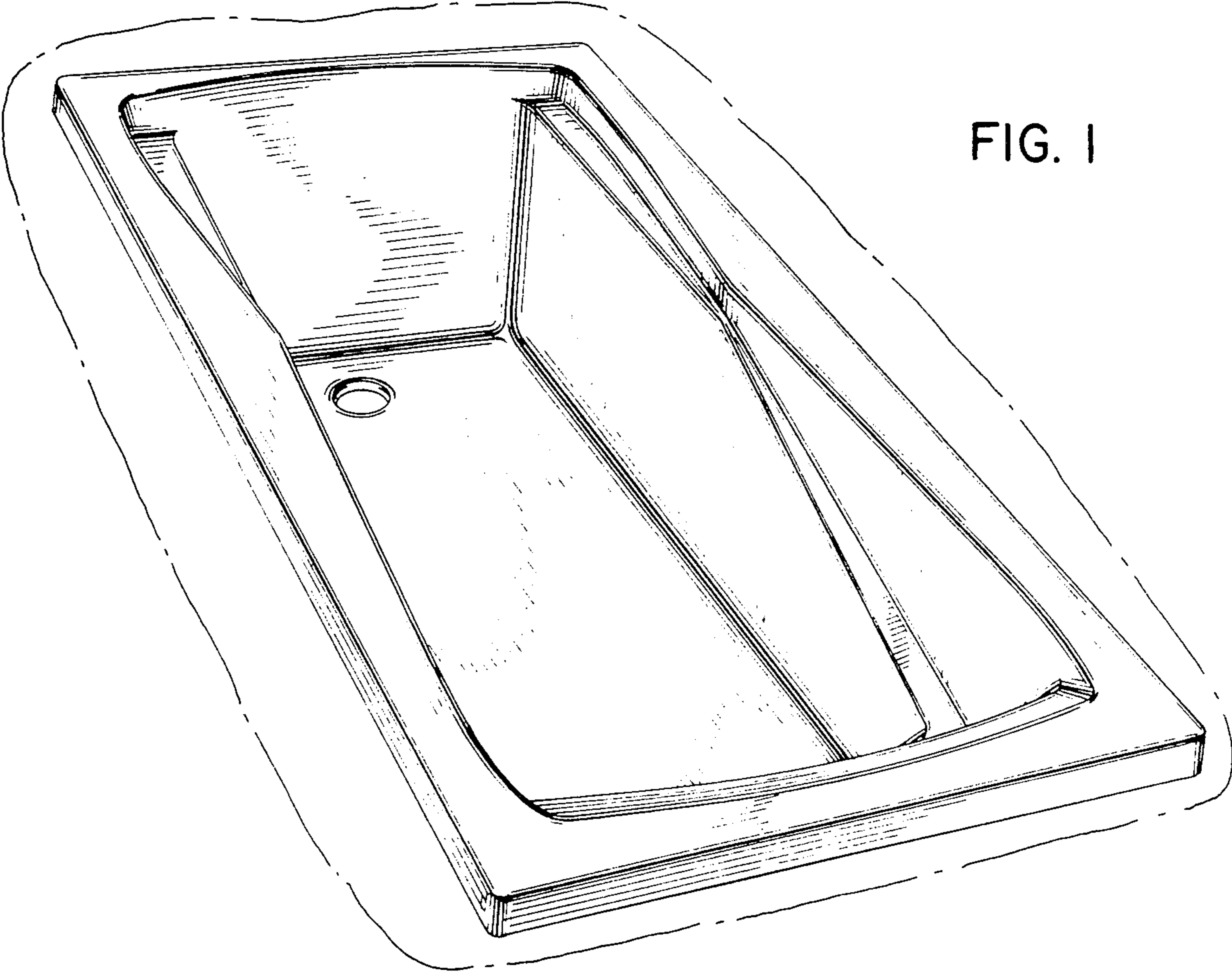


FIG. 1

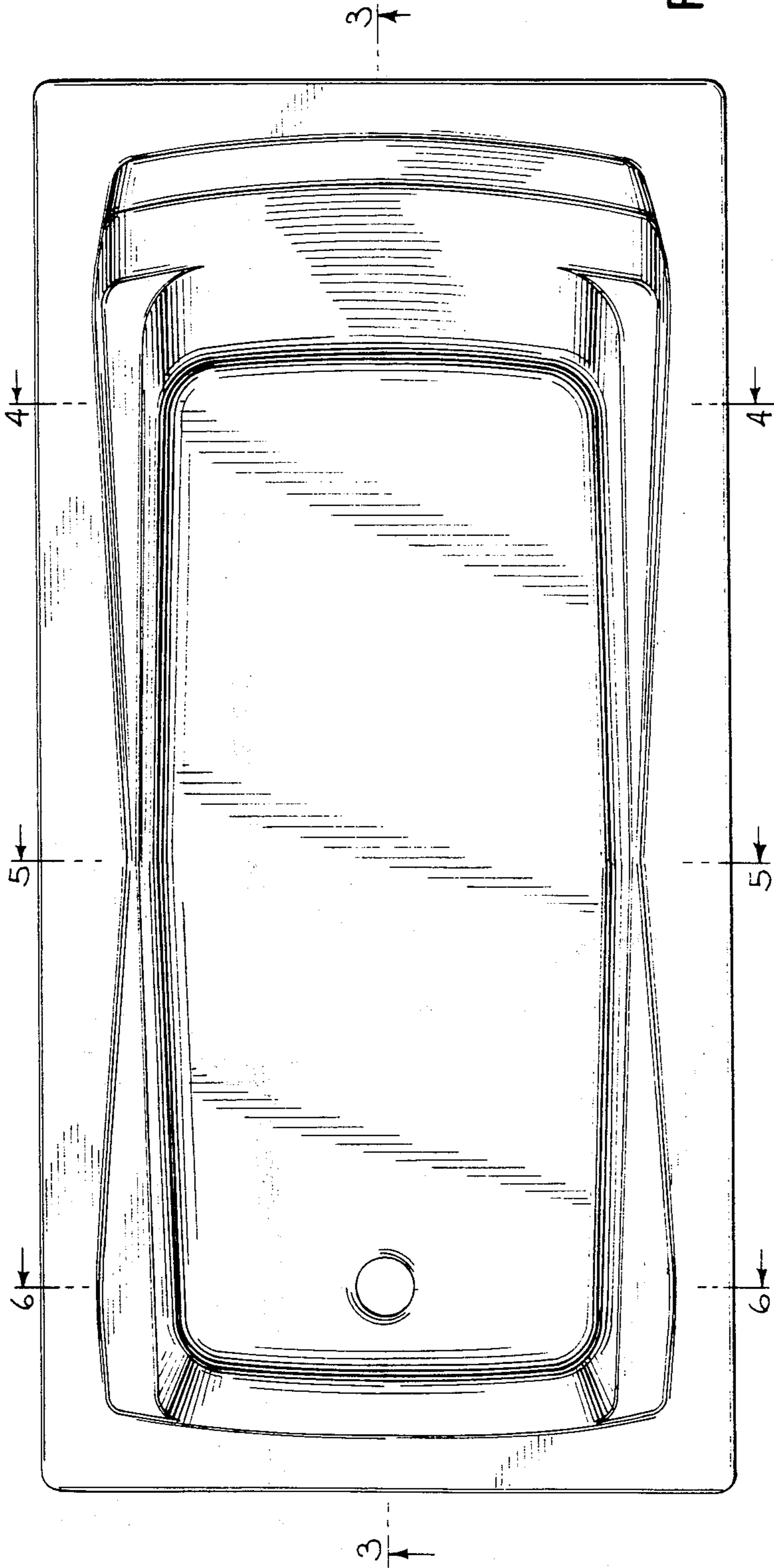


FIG. 2

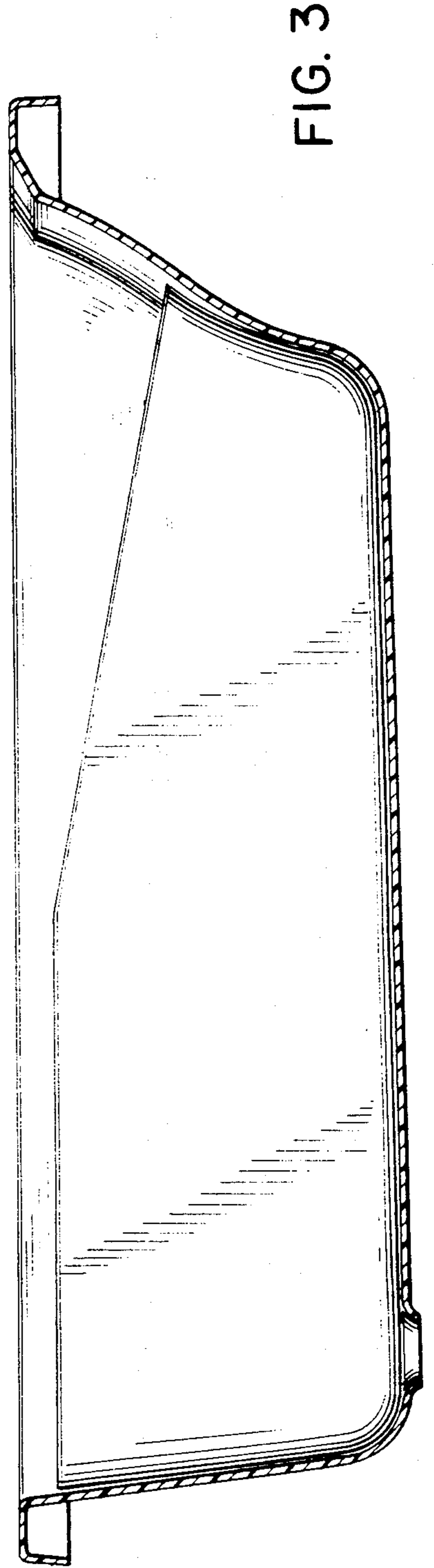


FIG. 3

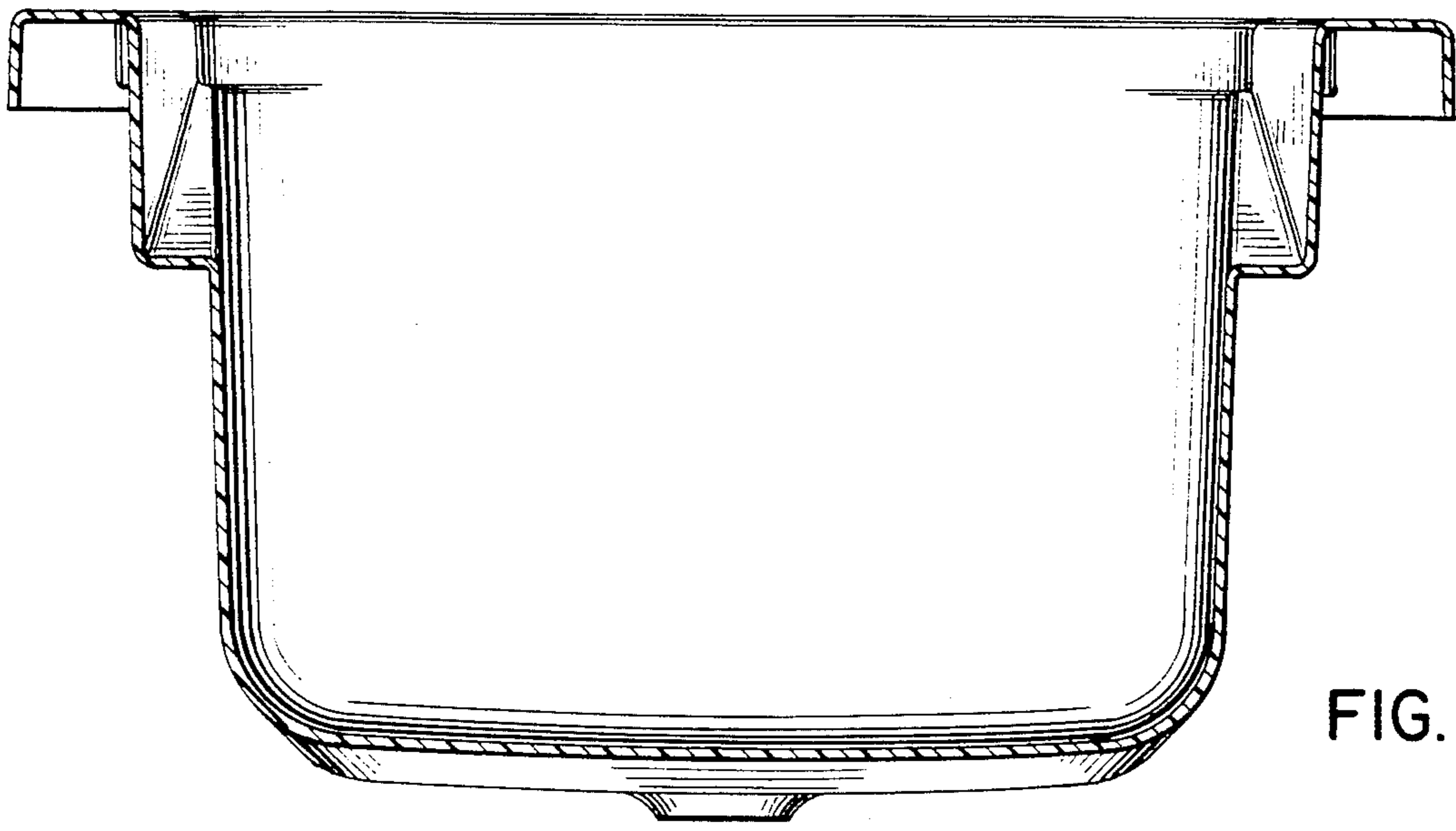


FIG. 4

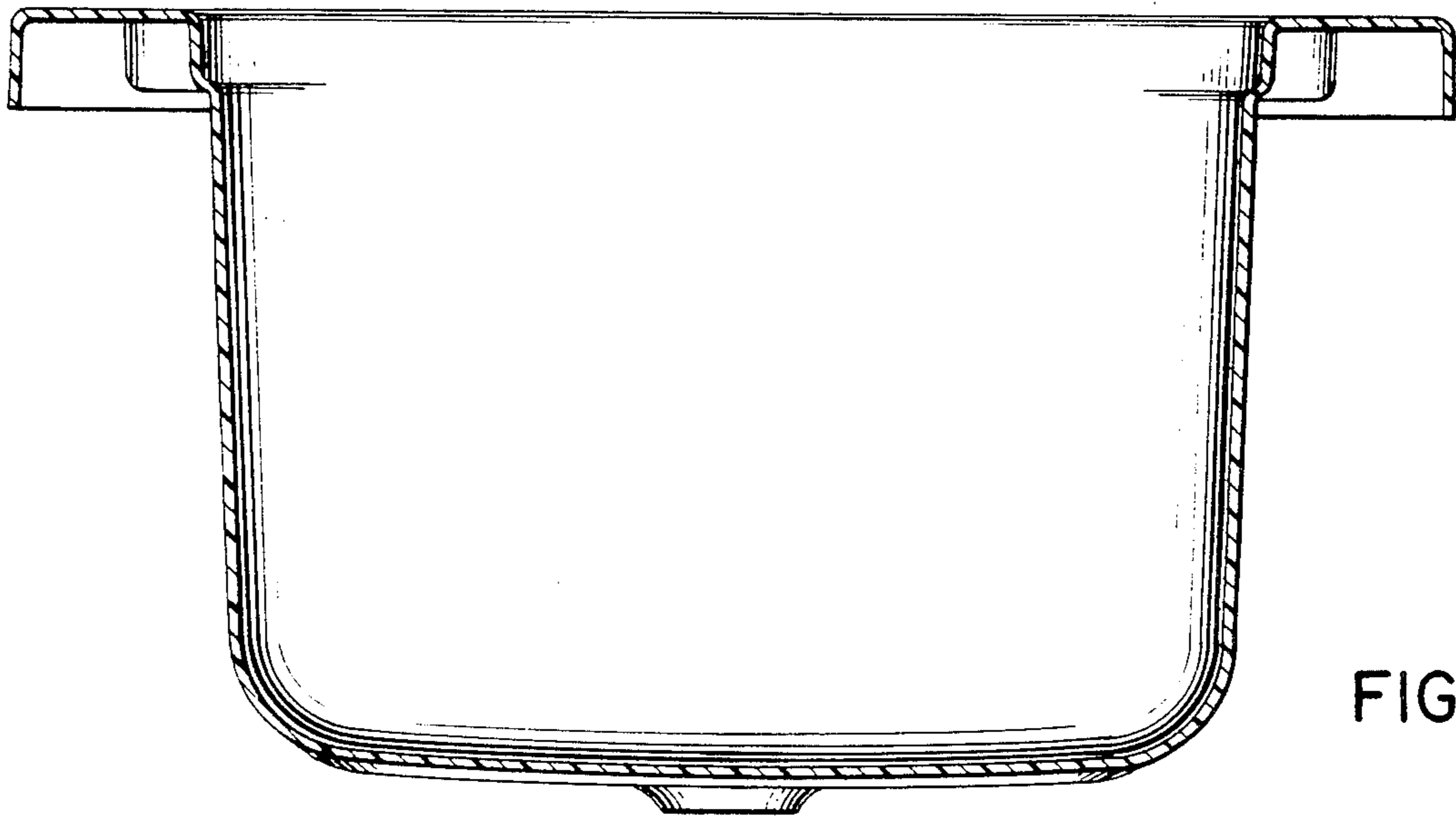


FIG. 5

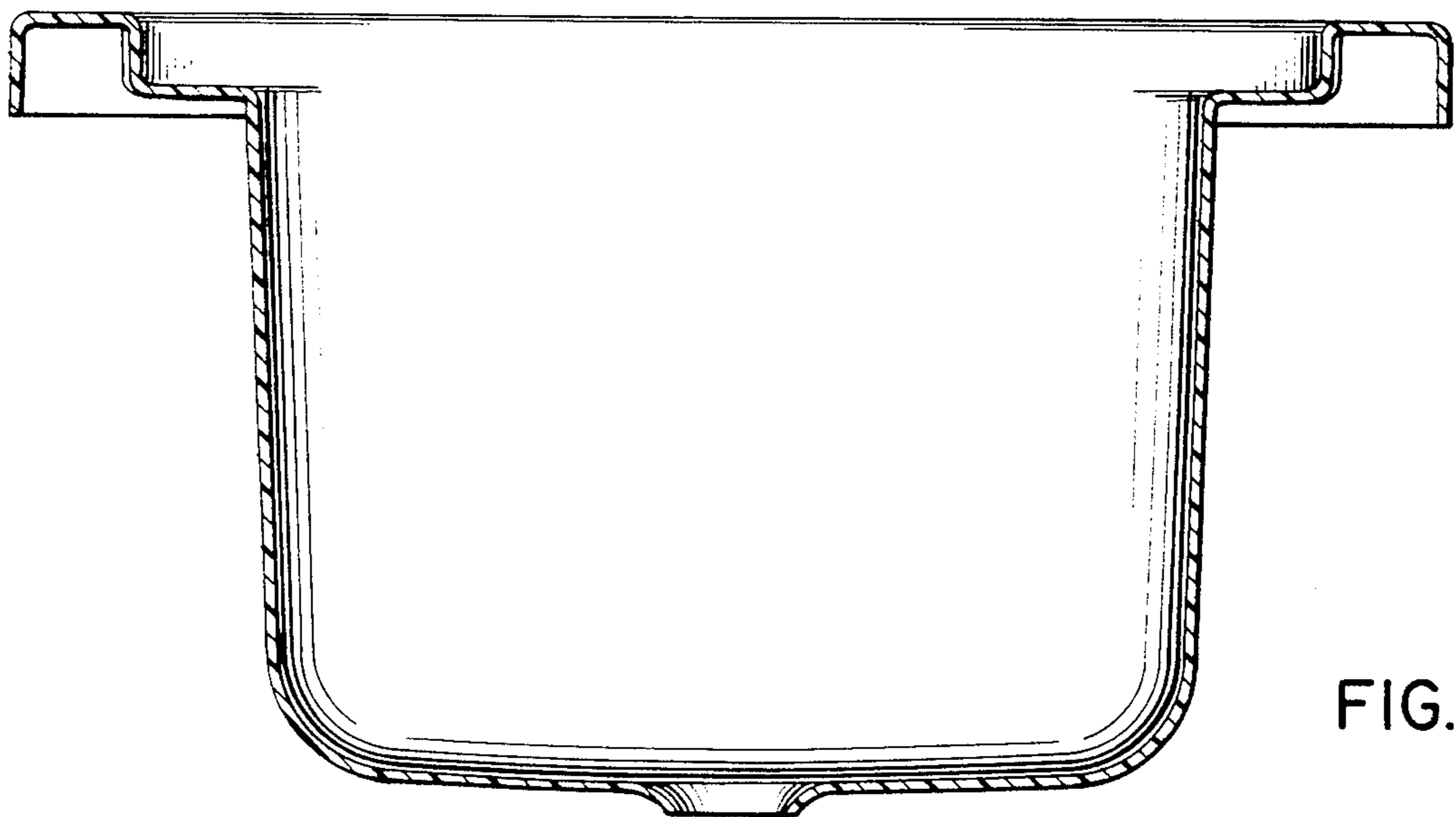


FIG. 6