

United States Patent [19]

Nordgren et al.

[11] Patent Number: **Des. 279,025**

[45] Date of Patent: **** May 28, 1985**

[54] **SNOW PLATE**

[75] Inventors: **Peter Nordgren; Hans Sjöholm**, both of Stockholm, Sweden

[73] Assignee: **Formelprodukter**, Lulea, Sweden

[**] Term: **14 Years**

[21] Appl. No.: **362,314**

[22] Filed: **Mar. 26, 1982**

[30] **Foreign Application Priority Data**

Oct. 5, 1981 [SE] Sweden 81-2187

[52] U.S. Cl. **D21/230**

[58] Field of Search D21/221, 222, 229, 230;
280/819, 820, 821, 824, 823

[56] **References Cited**

U.S. PATENT DOCUMENTS

4,336,949 6/1982 Aho 280/824

FOREIGN PATENT DOCUMENTS

375453 11/1963 Sweden 280/824
16348 5/1975 Sweden D21/230

OTHER PUBLICATIONS

Abitare, 1-1979, p. 80, Snow Plate.

Primary Examiner—Charles A. Rademaker

Attorney, Agent, or Firm—Burns, Doane, Swecker & Mathis

[57] **CLAIM**

The ornamental design for snow plate, substantially as shown and described.

DESCRIPTION

FIG. 1 is a front perspective view of a snow plate showing our new design;

FIG. 2 is a rear perspective view thereof; and

FIG. 3 is a bottom perspective view thereof.

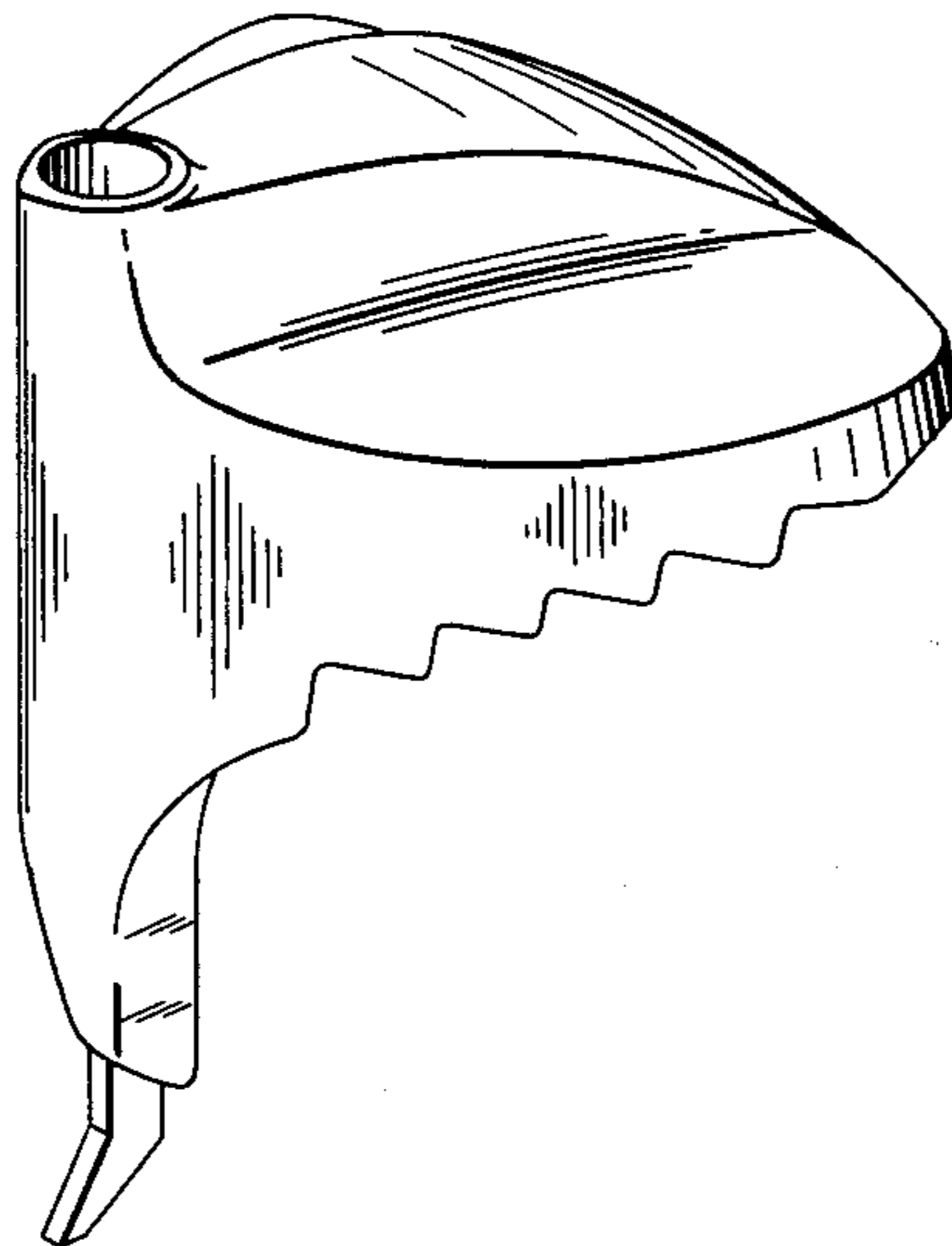


Fig. 1

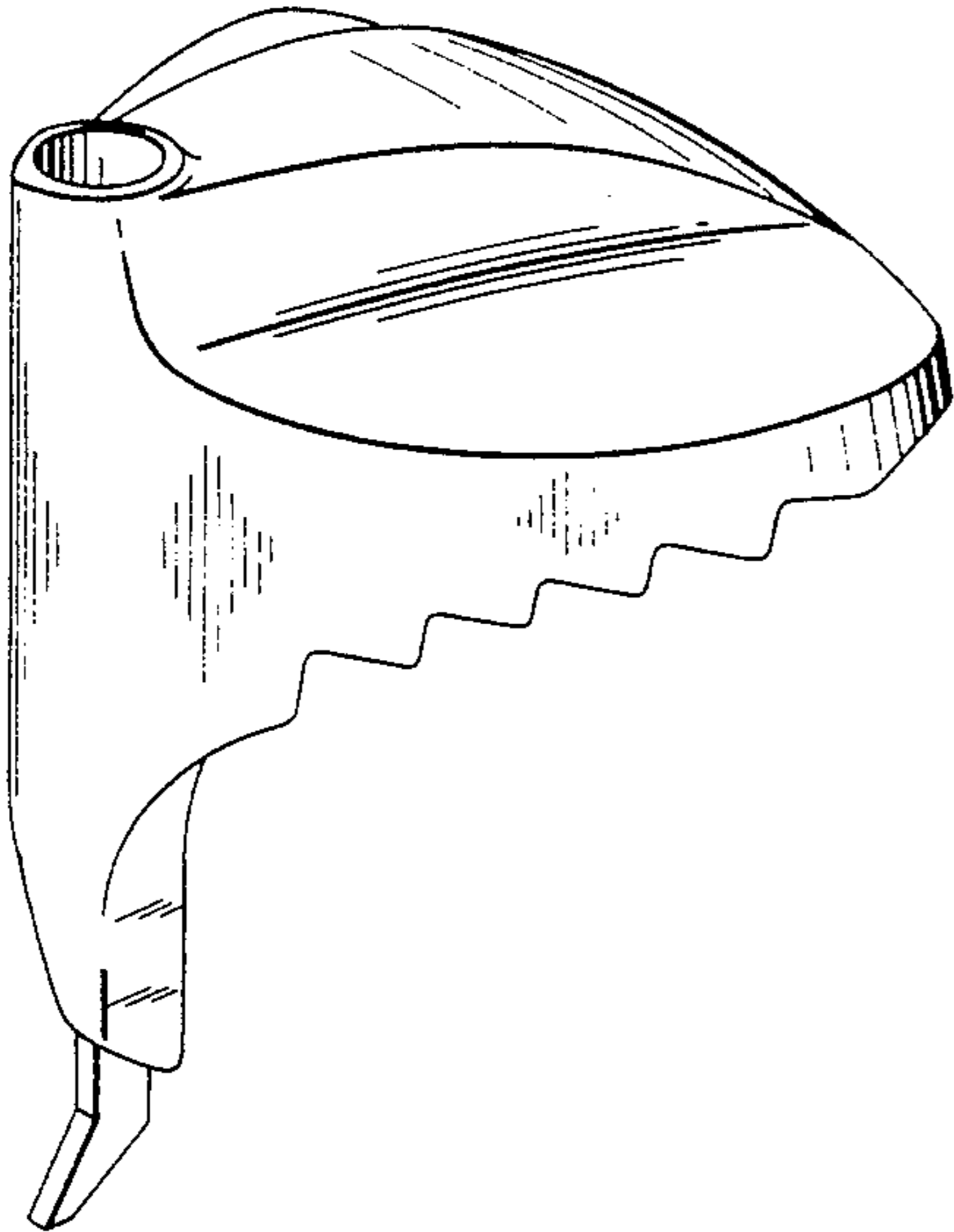


Fig. 2

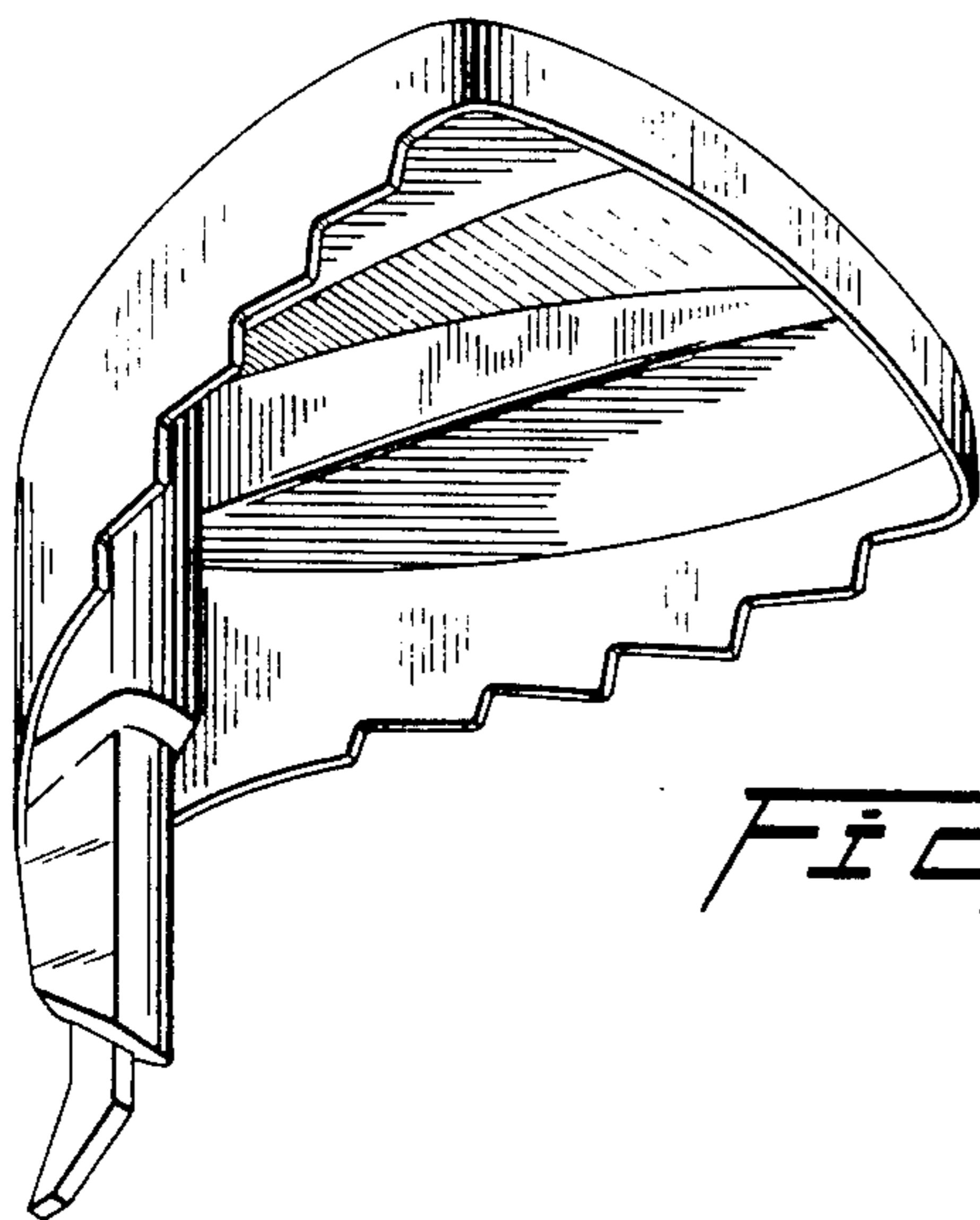
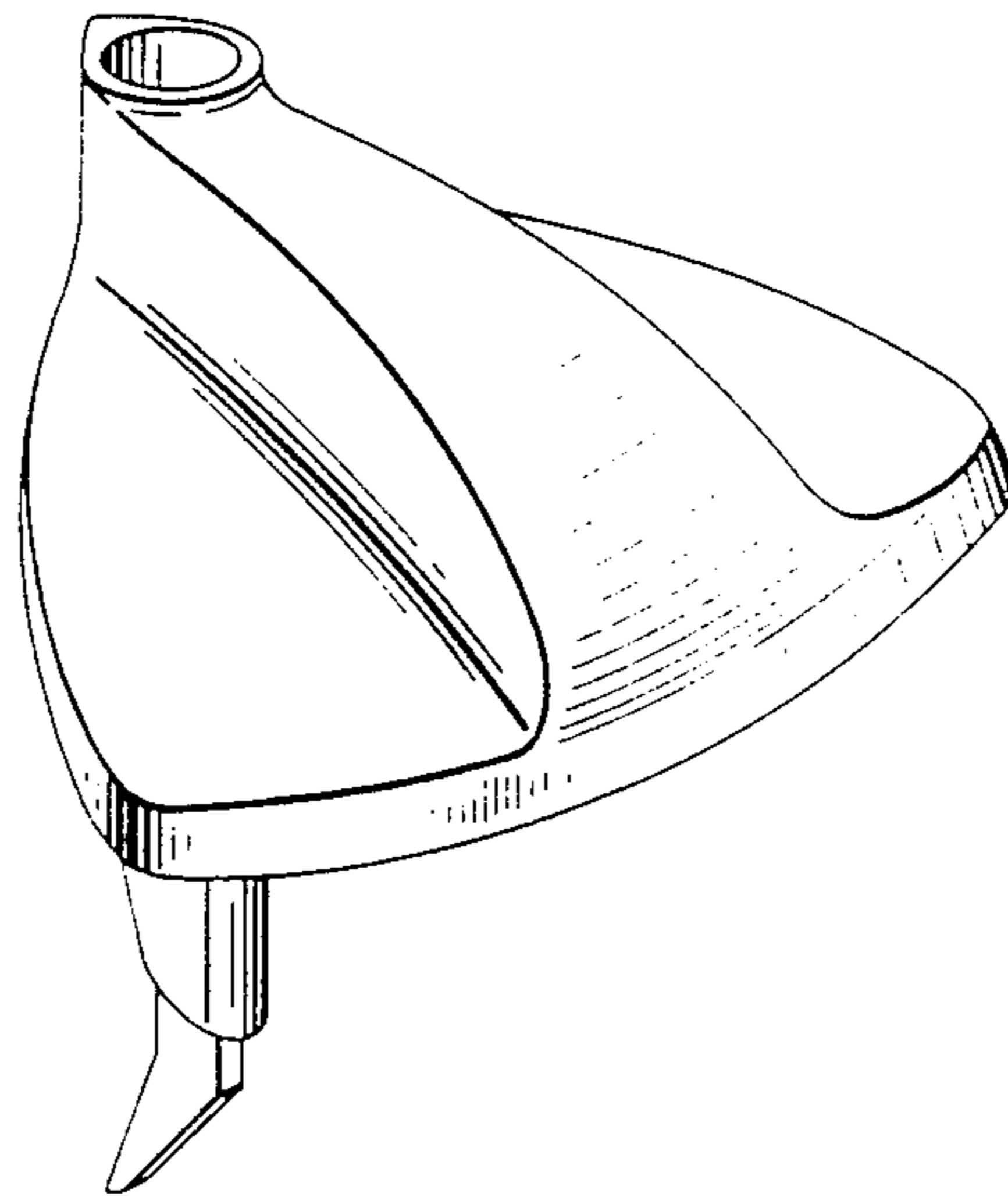


Fig. 3