

[54] GOLF CLUB HEAD DESIGN

[75] Inventors: John A. Worster, Solano Beach; Herbert W. Lyon, Escondido; Charles D. Rambo, Escondido; Arthur F. Santy, Escondido, all of Calif.; M. Michael Foegen, New Seabury, Mass.

[73] Assignee: Acushnet Company, New Bedford, Mass.

[**] Term: 14 Years

[21] Appl. No.: 478,143

[22] Filed: Mar. 23, 1983

[52] U.S. Cl. D21/220

[58] Field of Search D21/214-220; 273/164, 167-175

[56] References Cited

U.S. PATENT DOCUMENTS

- D. 225,123 11/1972 Viero et al. D21/220
D. 247,918 5/1978 Delano et al. D21/220

OTHER PUBLICATIONS

Golf Digest, Apr., 1974, p. 75, "Accubar" Iron.
Golf Shop Operations, Apr./May, 1973, p. 16, Golf Iron Club.

Primary Examiner—Melvin B. Feifer
Attorney, Agent, or Firm—Lucas & Just

[57] CLAIM

The ornamental design for a golf club head, substantially as shown and described.

DESCRIPTION

FIG. 1 is a top view of our new and ornamental design for a golf club head as embodied in a 5 iron; FIG. 2 is a front view of the golf club head of FIG. 1; FIG. 3 is a sectional view of the golf club head of FIG. 1 through line 3—of FIG. 6; FIG. 4 is an end view of the golf club head of FIG. 1 from the heel; FIG. 5 is a bottom view of the golf club head of FIG. 1; FIG. 6 is a back view of the golf club head of FIG. 1; FIG. 7 is a back view of our new and ornamental design for a golf club head as embodied in a 3 iron; FIG. 8 is a sectional view of the golf club head of FIG. 7 through line 8—8 of FIG. 7; FIG. 9 is a back view of our new and ornamental design for a golf club head as embodied in a 7 iron; FIG. 10 is a sectional view of the golf club head of FIG. 9 through line 10—10 of FIG. 9; FIG. 11 is a back view of our new and ornamental design for a golf club head as embodied in a 9 iron; FIG. 12 is a sectional view of the golf club head of FIG. 11 through line 12—12 of FIG. 11.

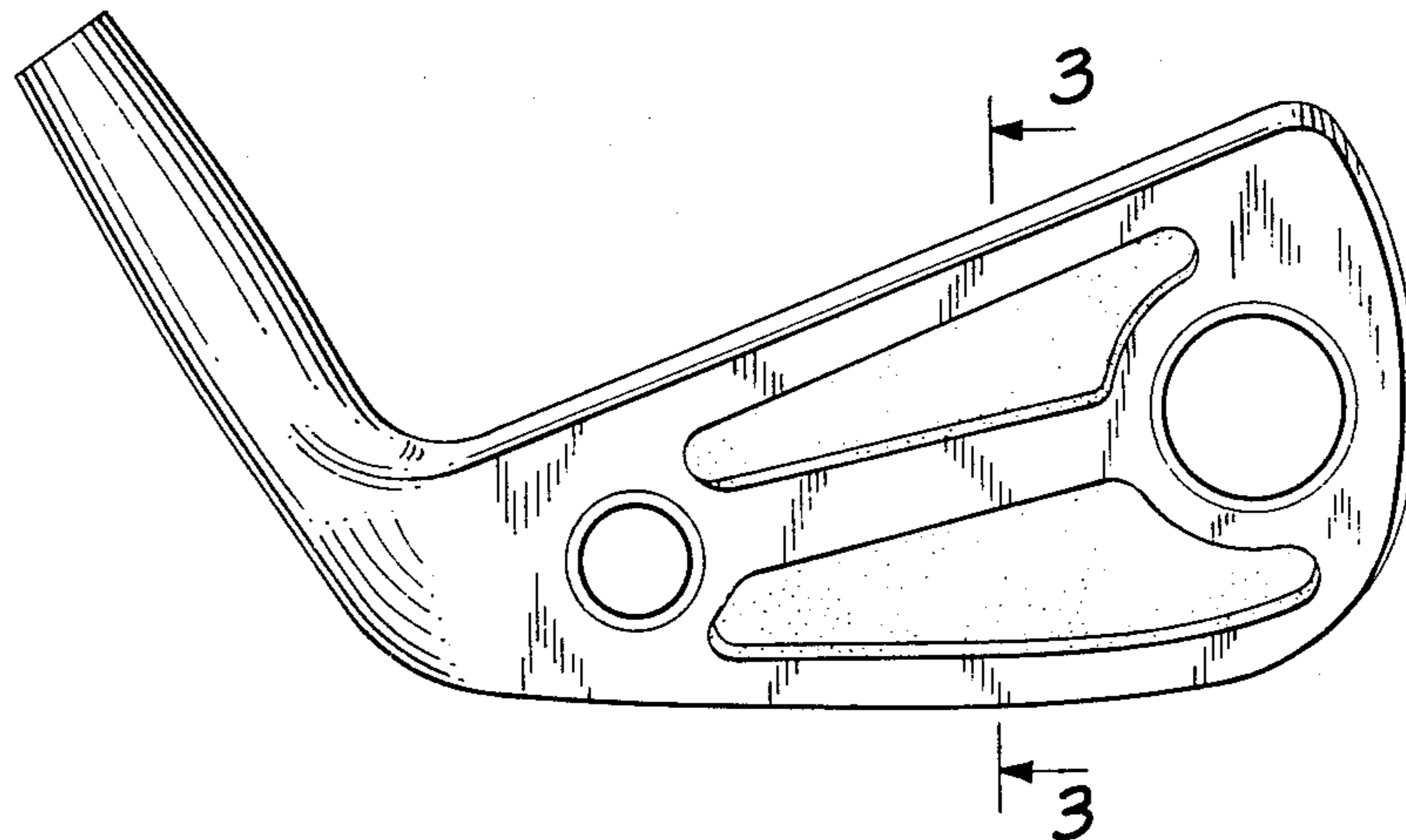


FIG. 1

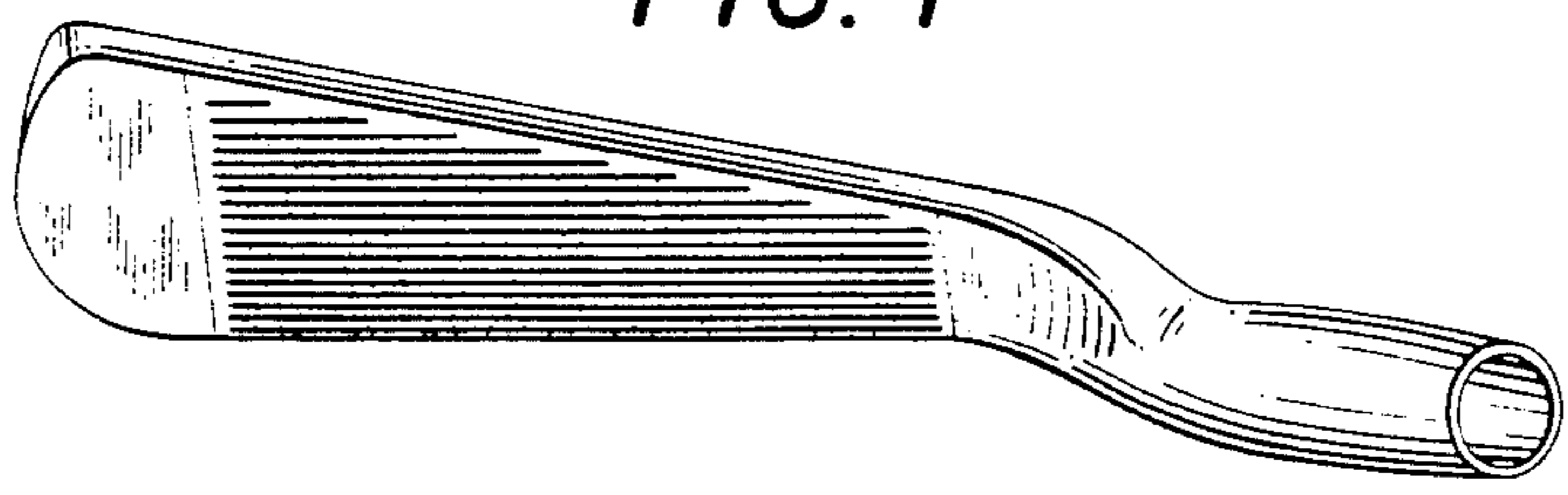


FIG. 3

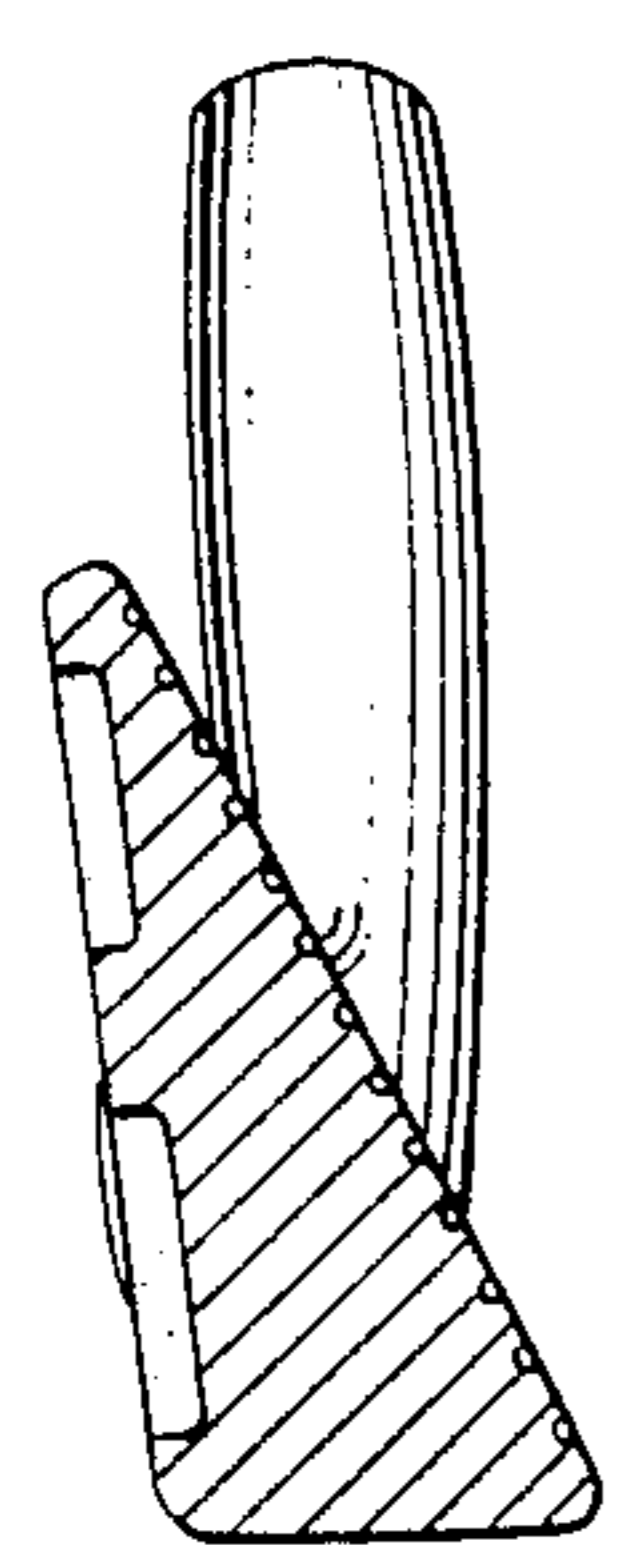


FIG. 4

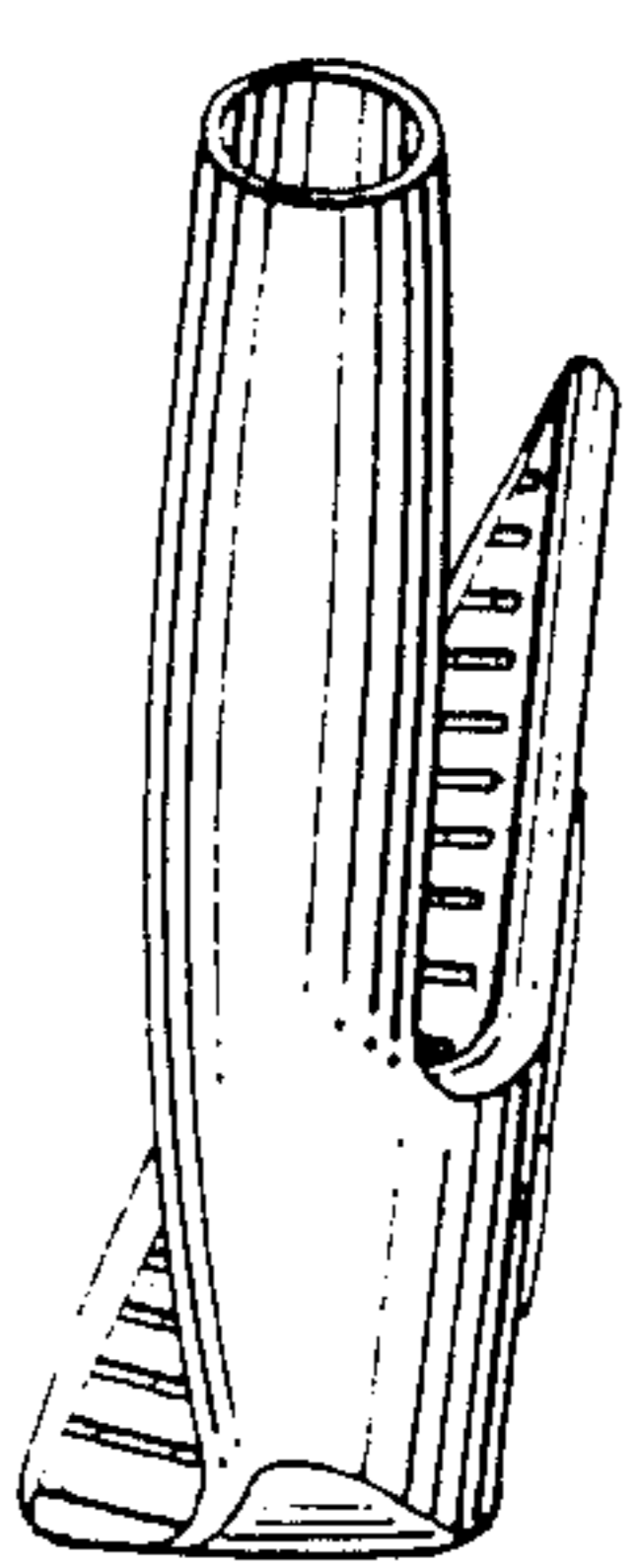


FIG. 2

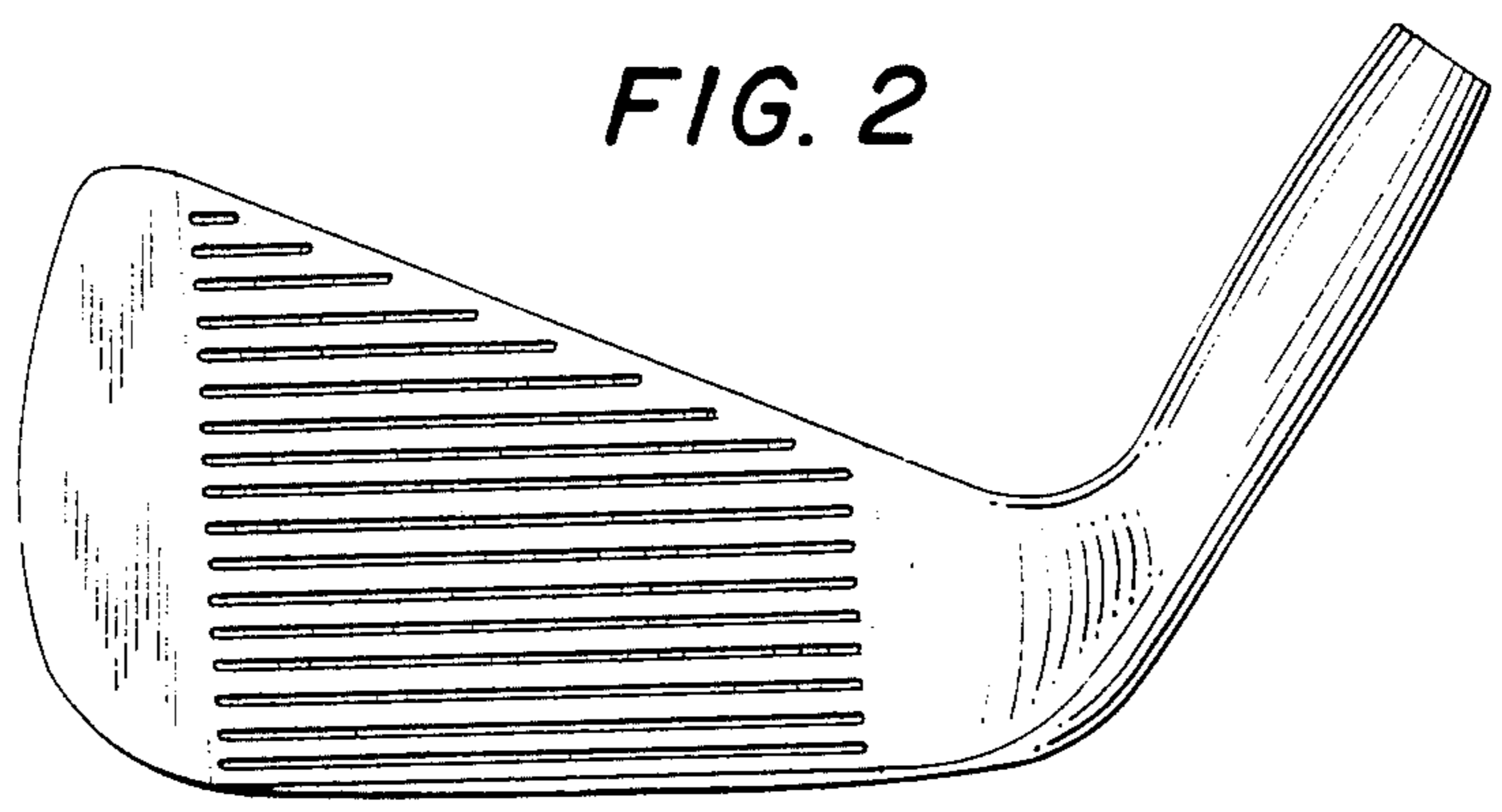


FIG. 5

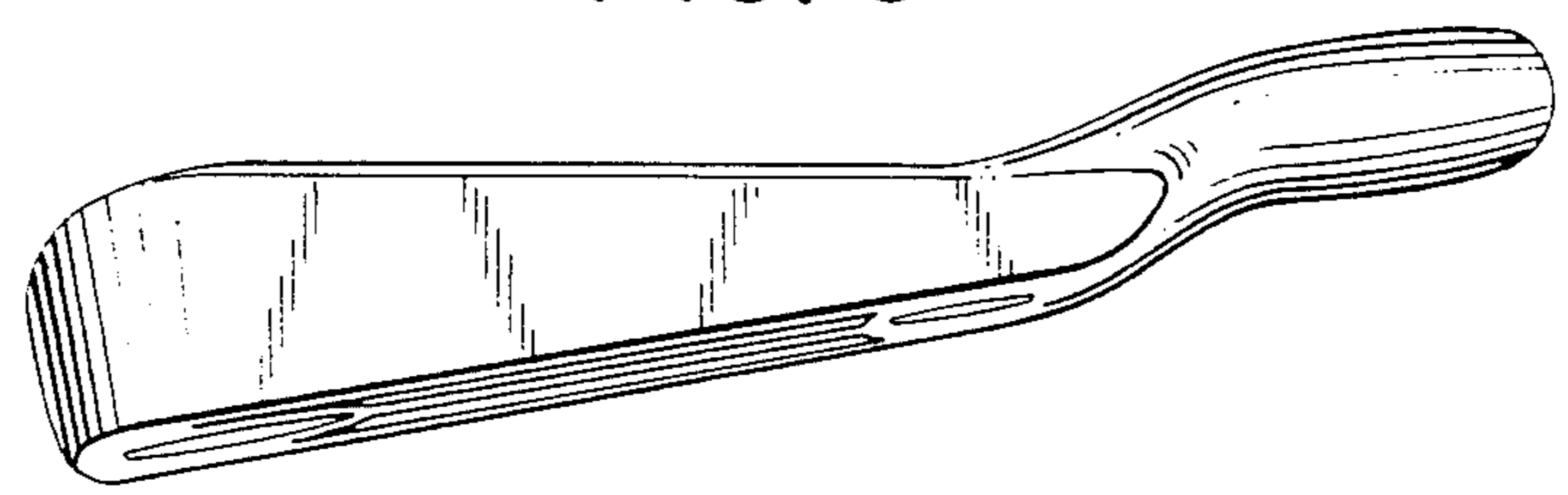


FIG. 6

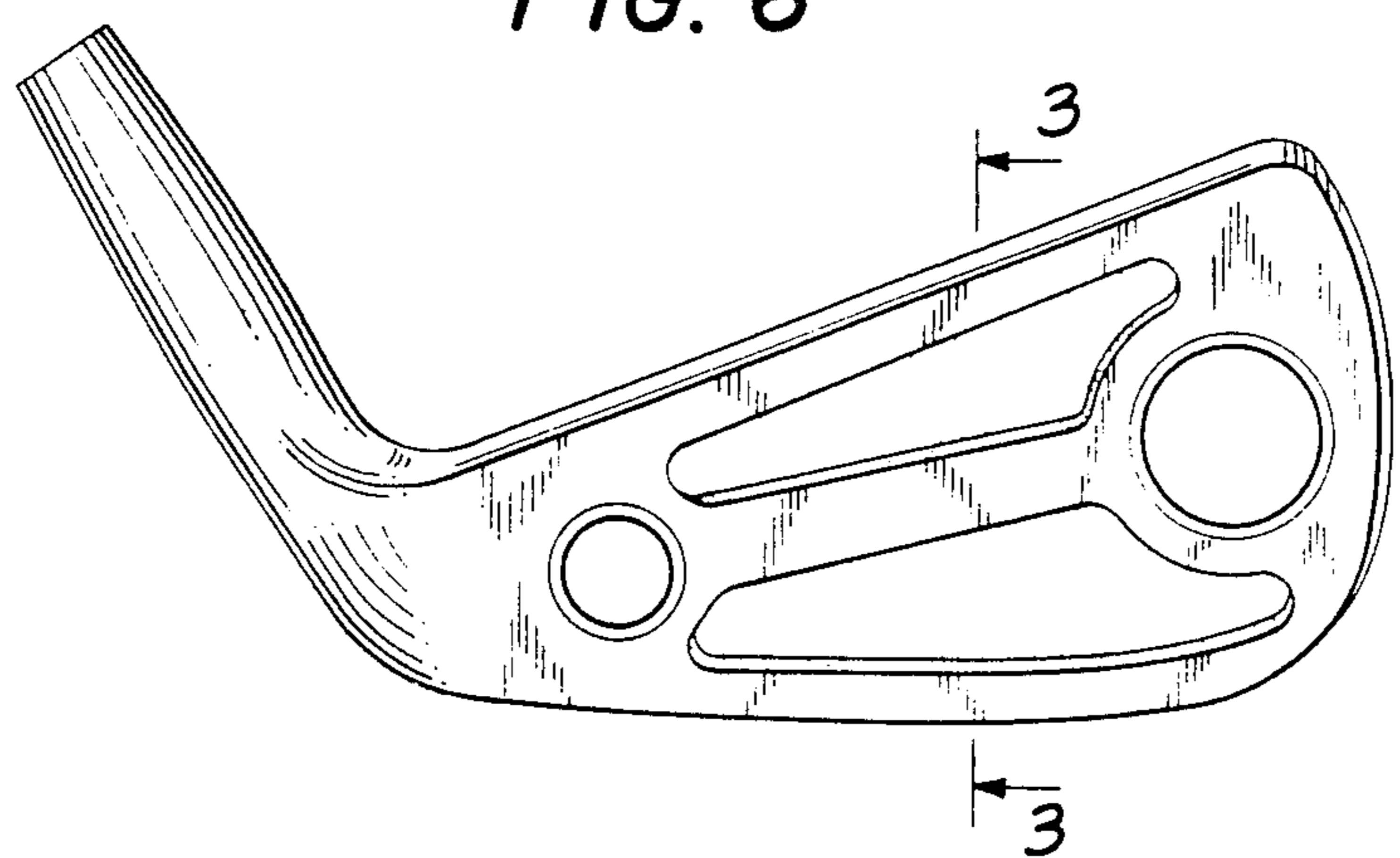


FIG. 7

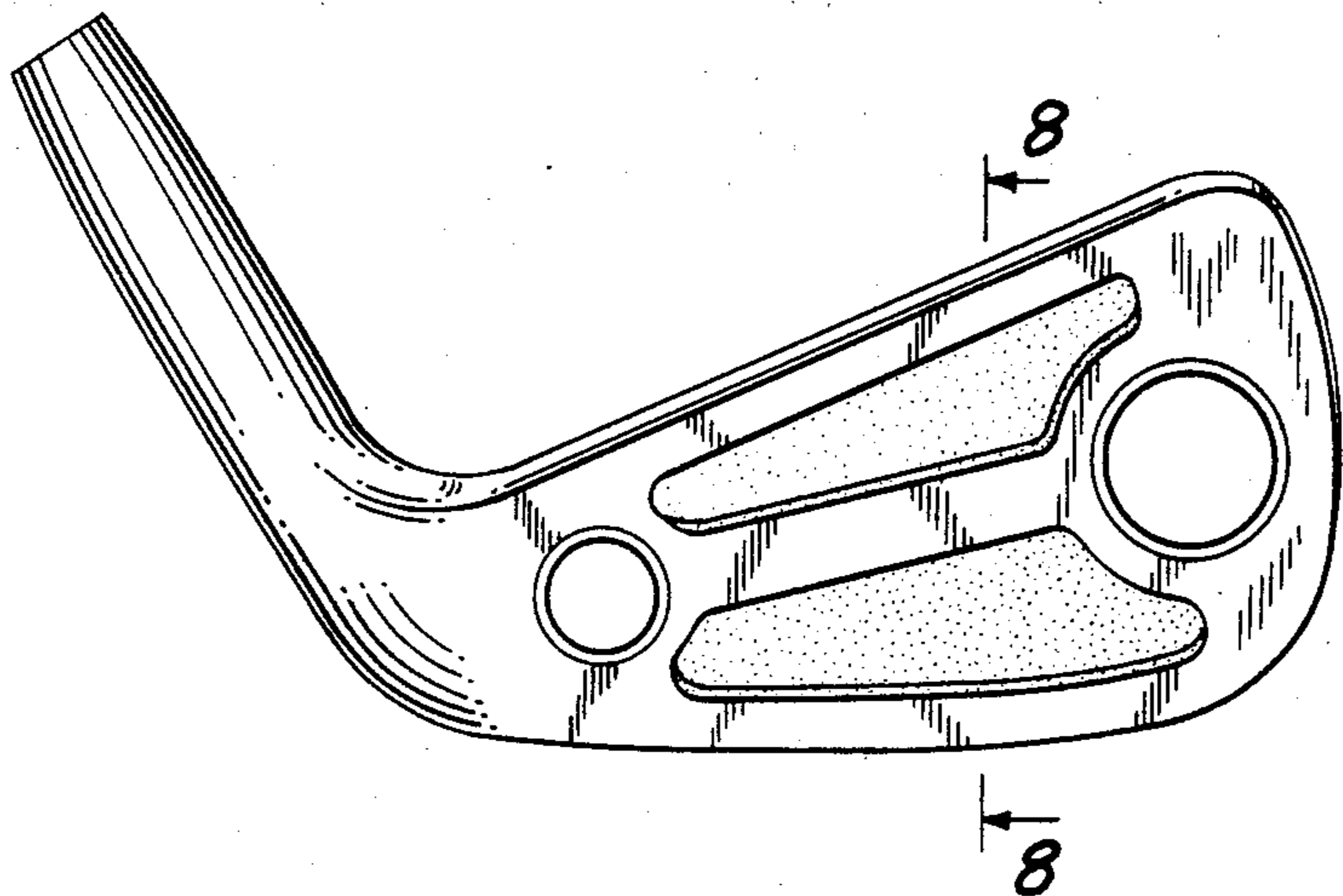


FIG. 8

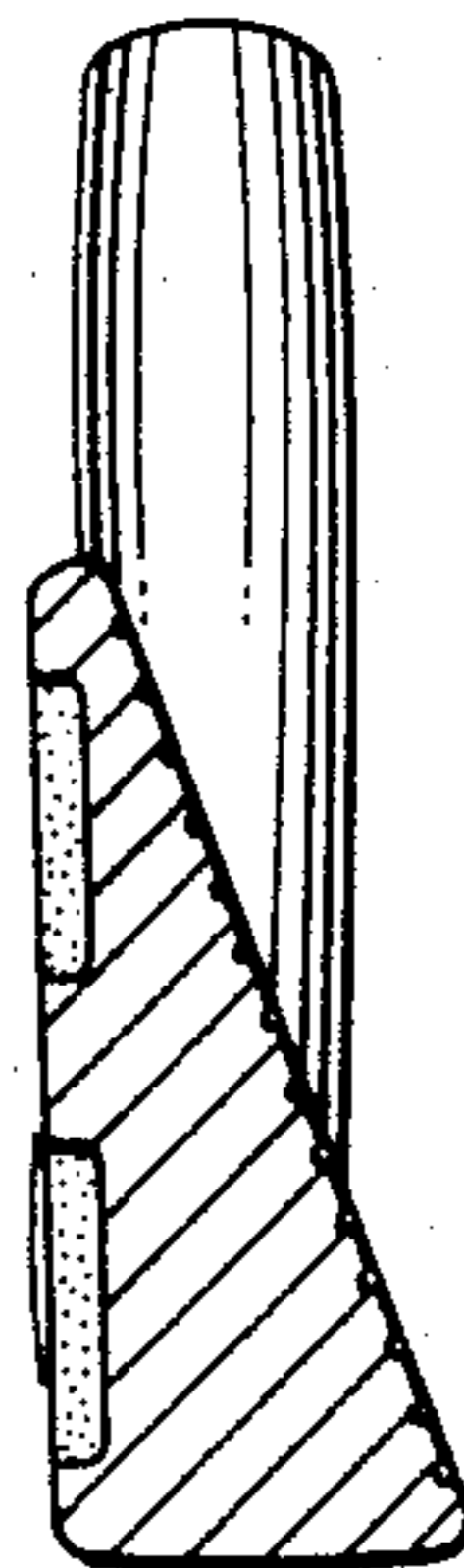


FIG. 9

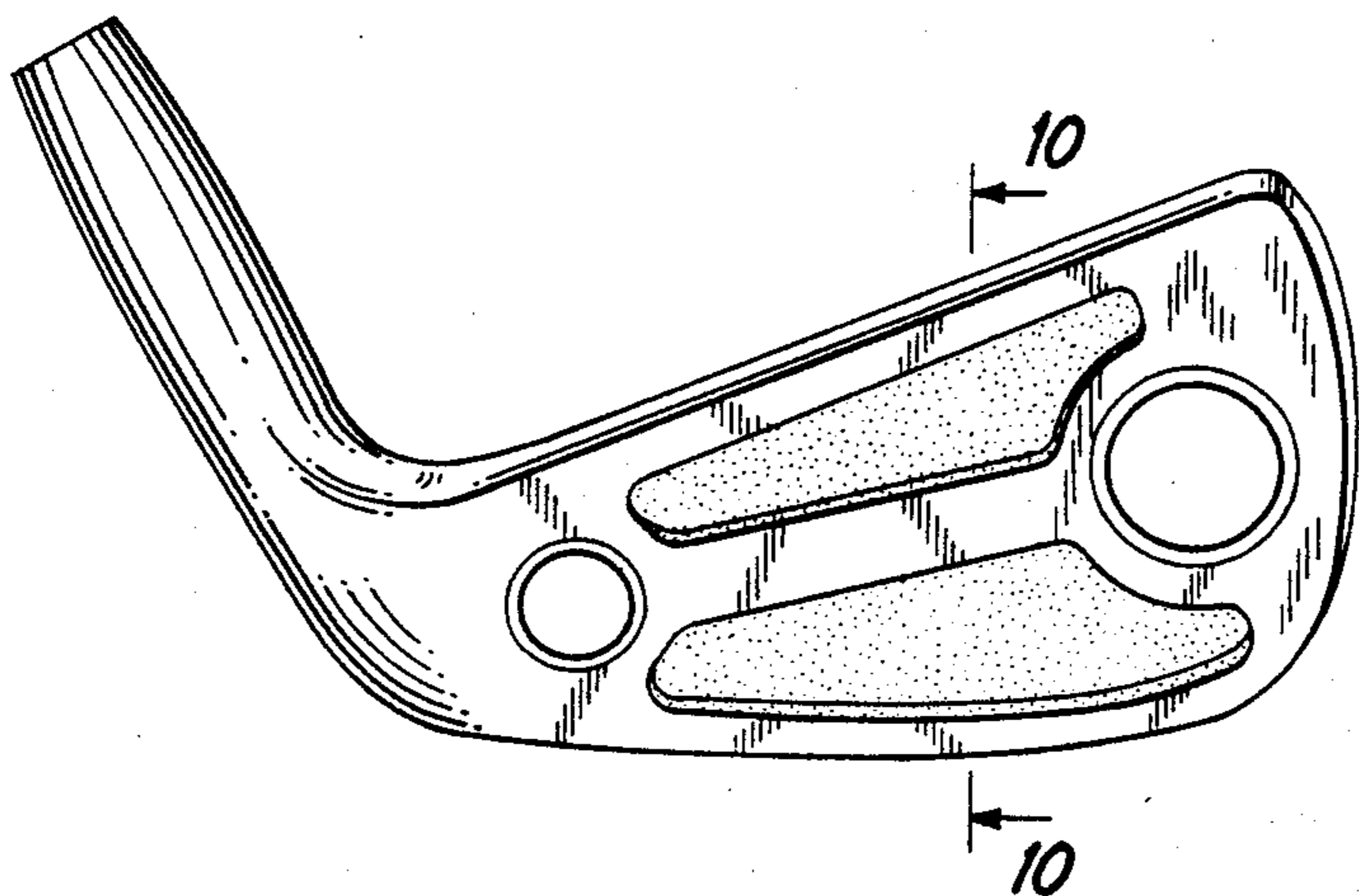


FIG. 10

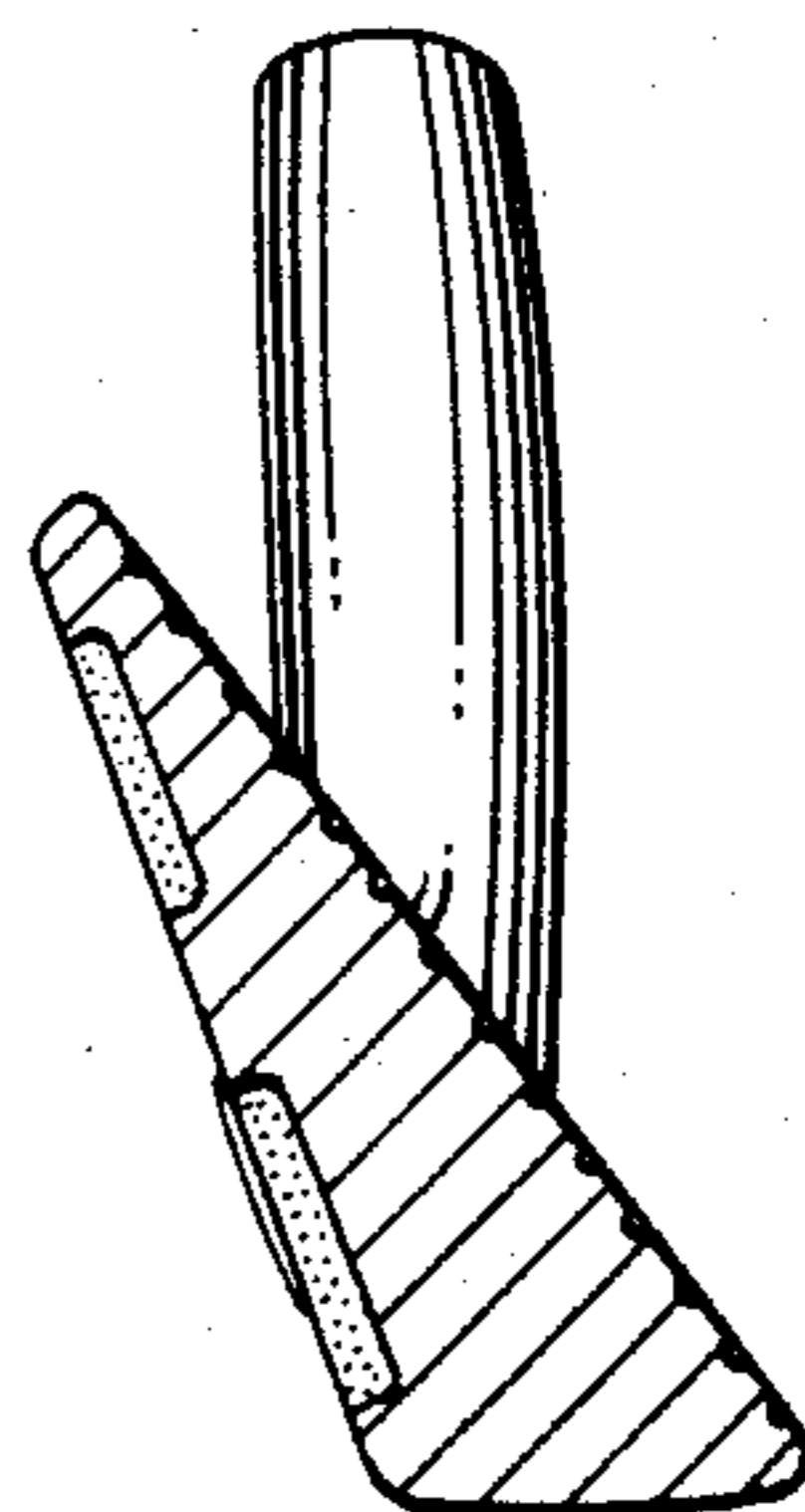


FIG. 11

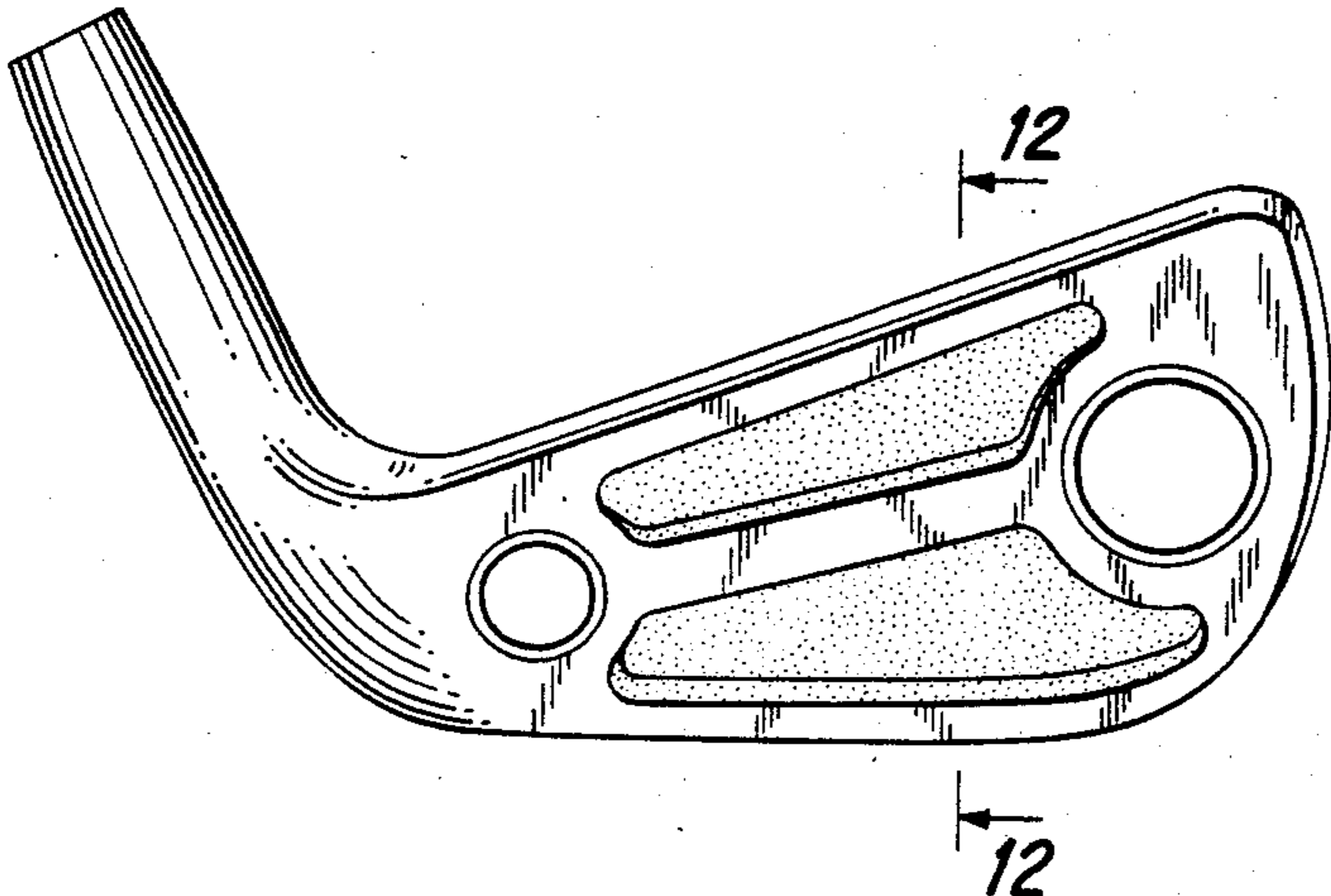


FIG. 12

