

[54] TOY VEHICLE

[75] Inventor: Mark D. Boudreaux, Cincinnati, Ohio

[73] Assignee: CPG Products Corp., Minneapolis, Minn.

[**] Term: 14 Years

[21] Appl. No.: 562,791

[22] Filed: Dec. 19, 1983

[52] U.S. Cl. D21/87

[58] Field of Search D21/82, 87, 88, 89, D21/90, 124, 128; D12/320, 319, 321; 446/71, 72, 73, 34, 52, 56, 61, 66

[56] References Cited

U.S. PATENT DOCUMENTS

- D. 266,440 10/1982 Pibet D21/87
- D. 268,773 4/1983 Rodis-Jamero D21/87
- D. 271,702 12/1983 Wilkes D21/87

D. 272,952 2/1984 Boudreaux D21/87

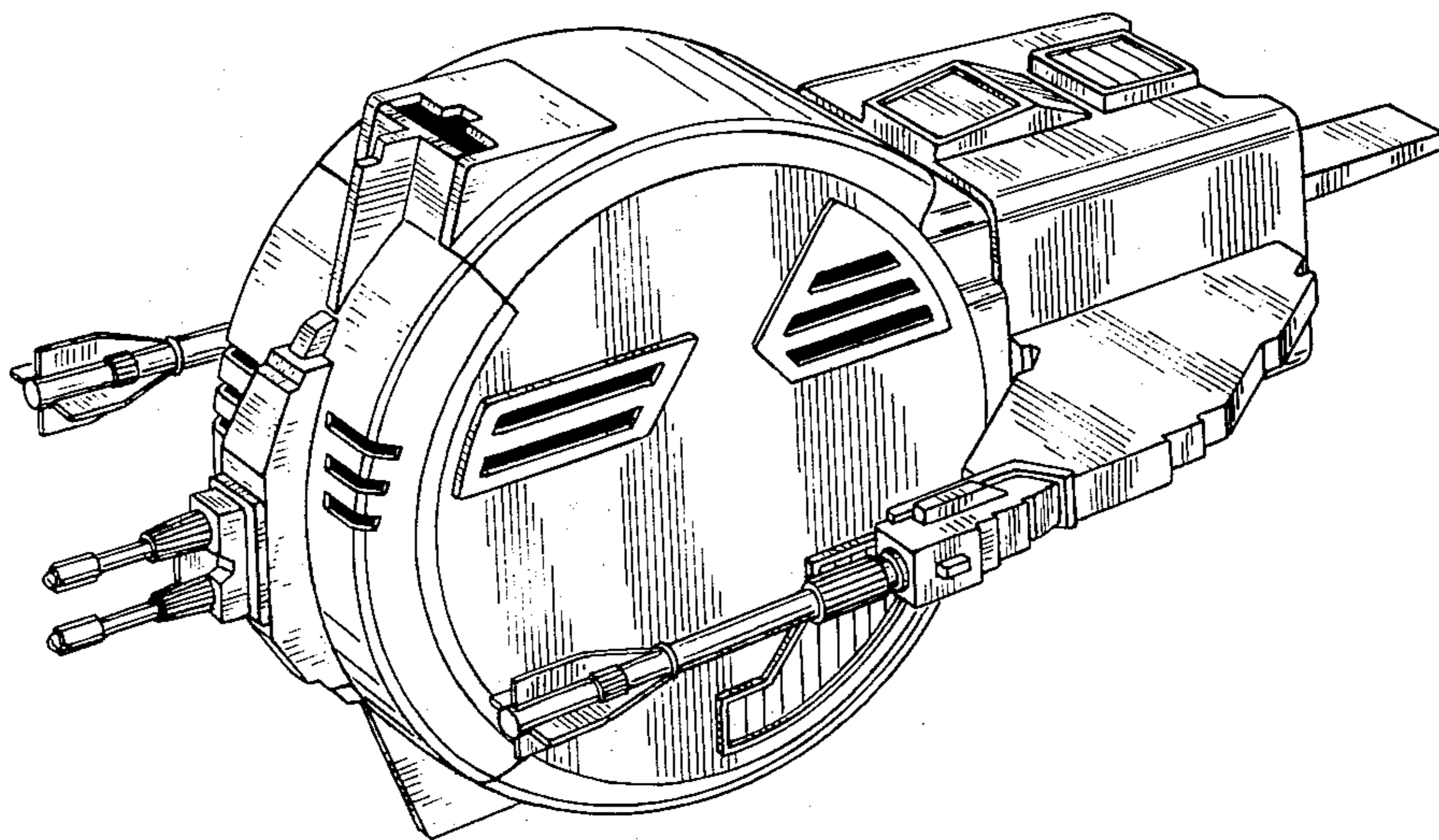
Primary Examiner—Charles A. Rademaker
Attorney, Agent, or Firm—L. MeRoy Lillehaugen; Gene O. Enockson

[57] CLAIM

The ornamental design for a toy vehicle, substantially as shown and described.

DESCRIPTION

FIG. 1 is a perspective view of a toy vehicle showing my new design;
 FIG. 2 is a side elevational view thereof, the side opposite being substantially a mirror image thereof;
 FIG. 3 is a top plan view thereof;
 FIG. 4 is a bottom plan view thereof;
 FIG. 5 is a front elevational view thereof;
 FIG. 6 is a rear elevational view thereof; and
 FIG. 7 is a perspective view of the toy vehicle which is similar to FIG. 1, but showing the vehicle in a slightly different condition.



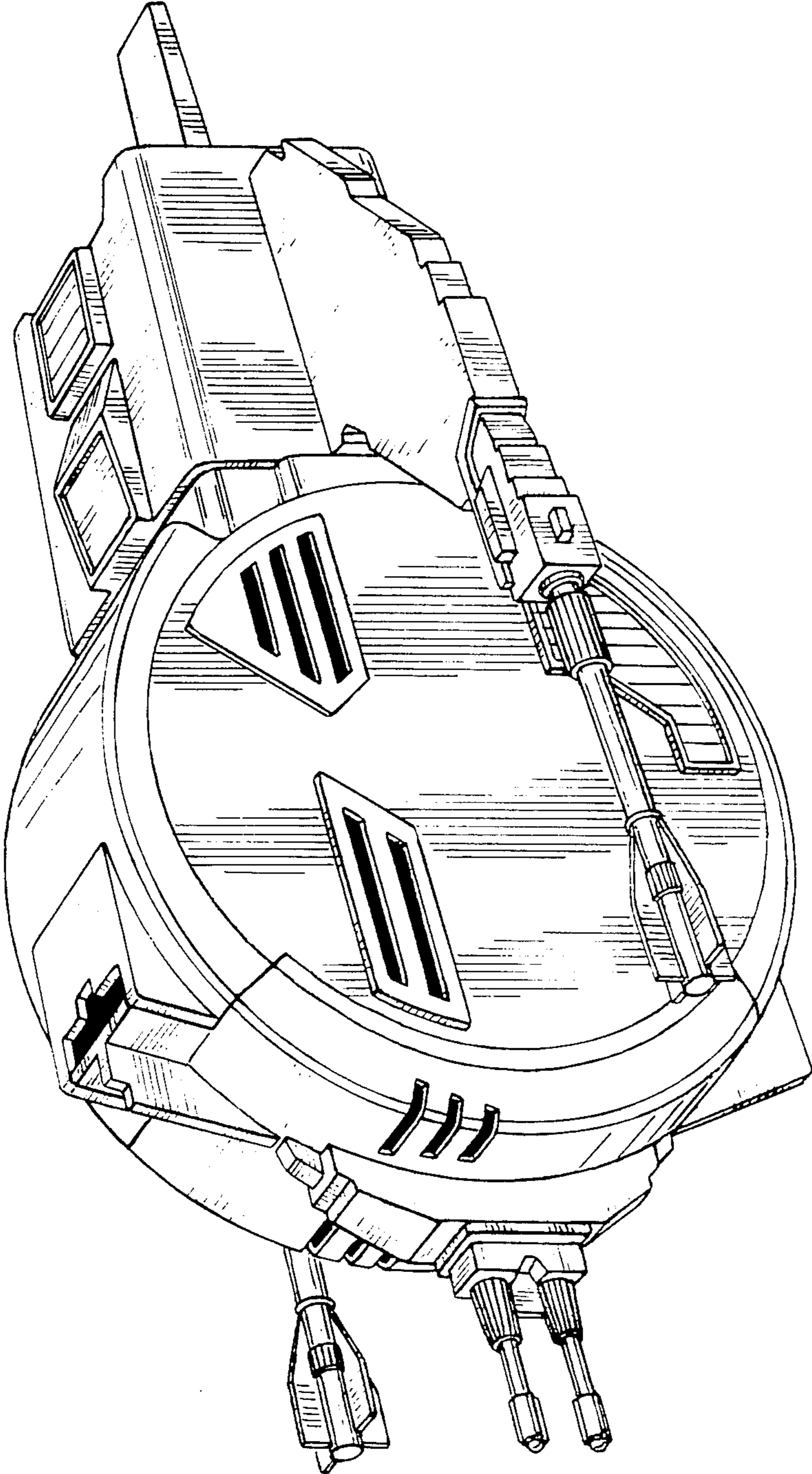


FIG. 1

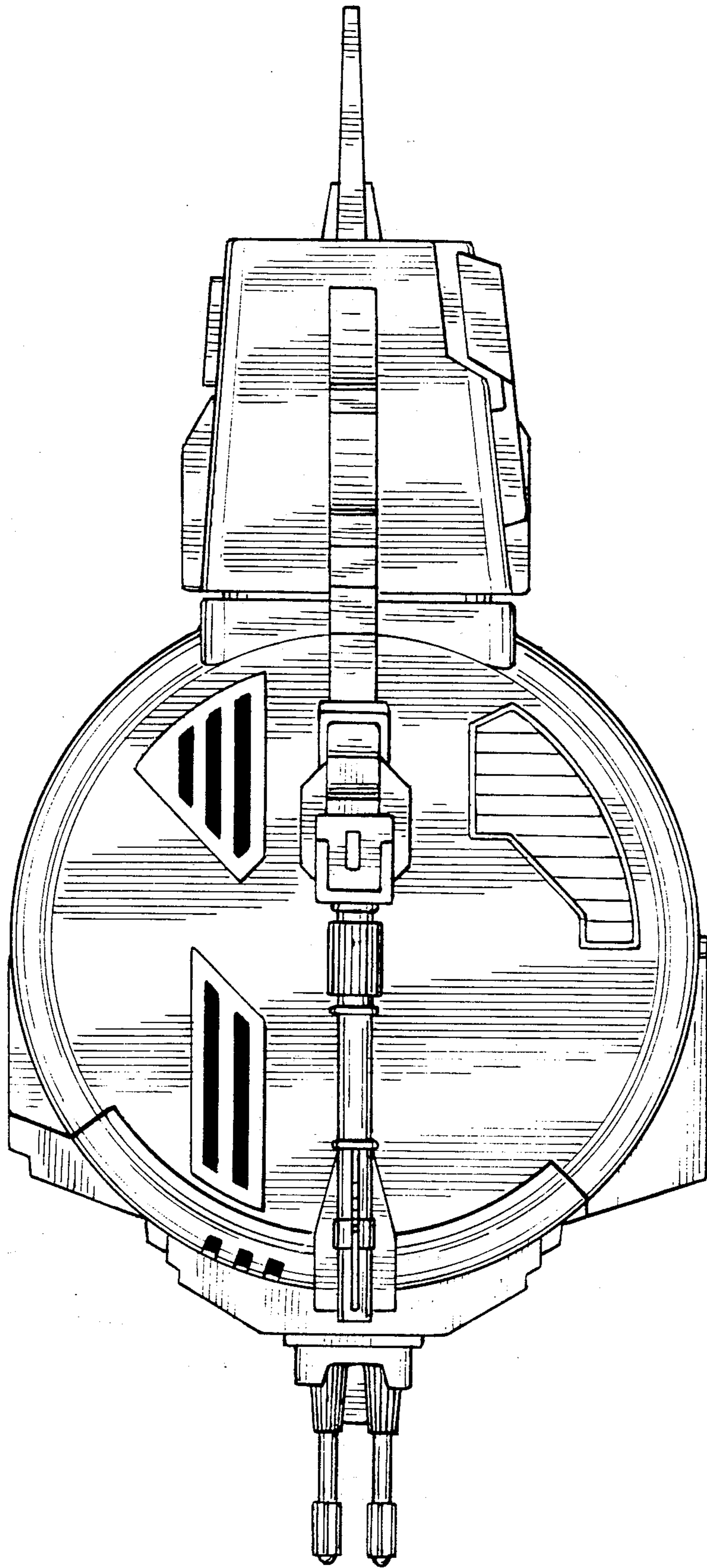


FIG. 2

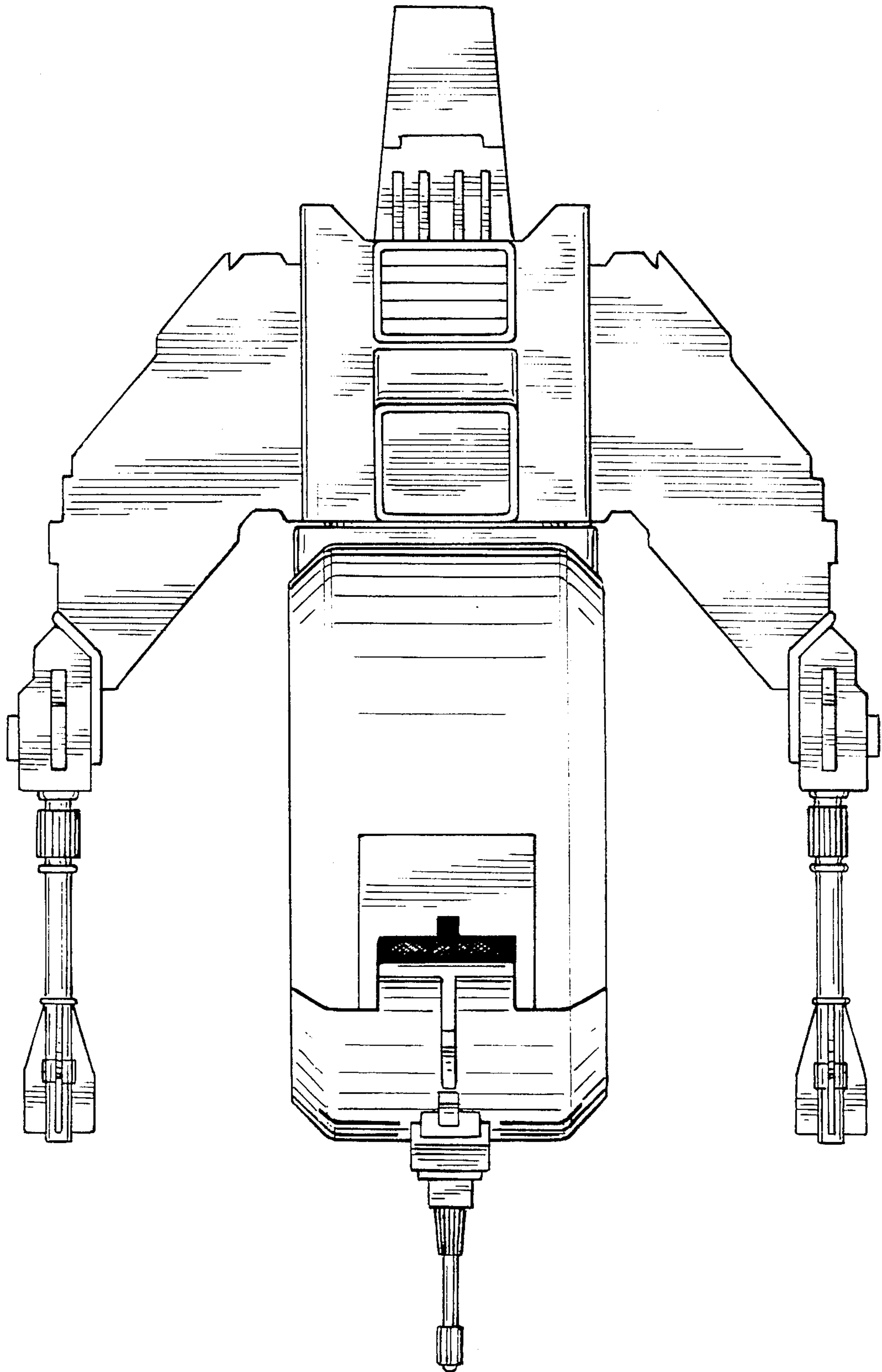


FIG. 19

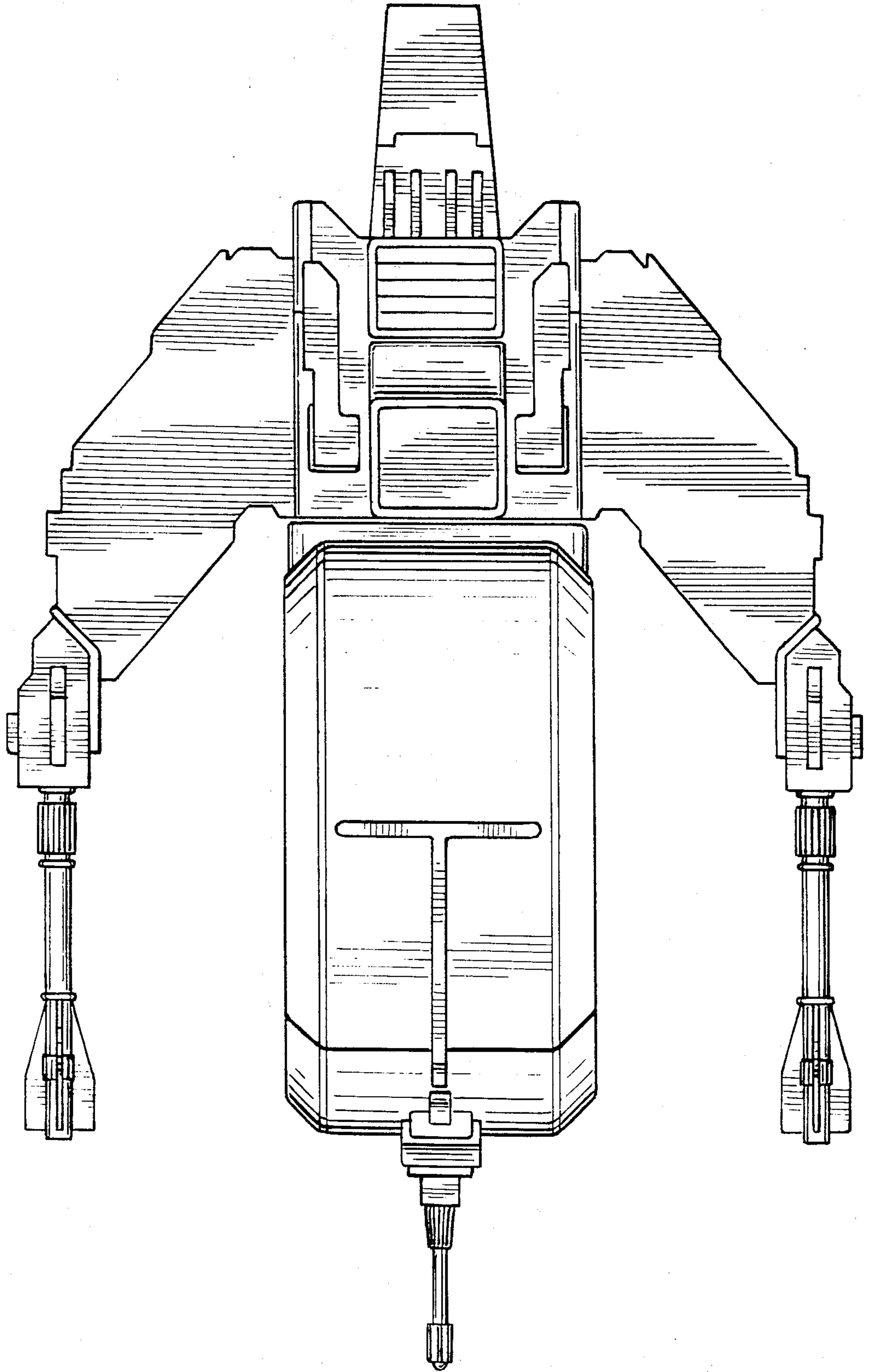


FIG. 4

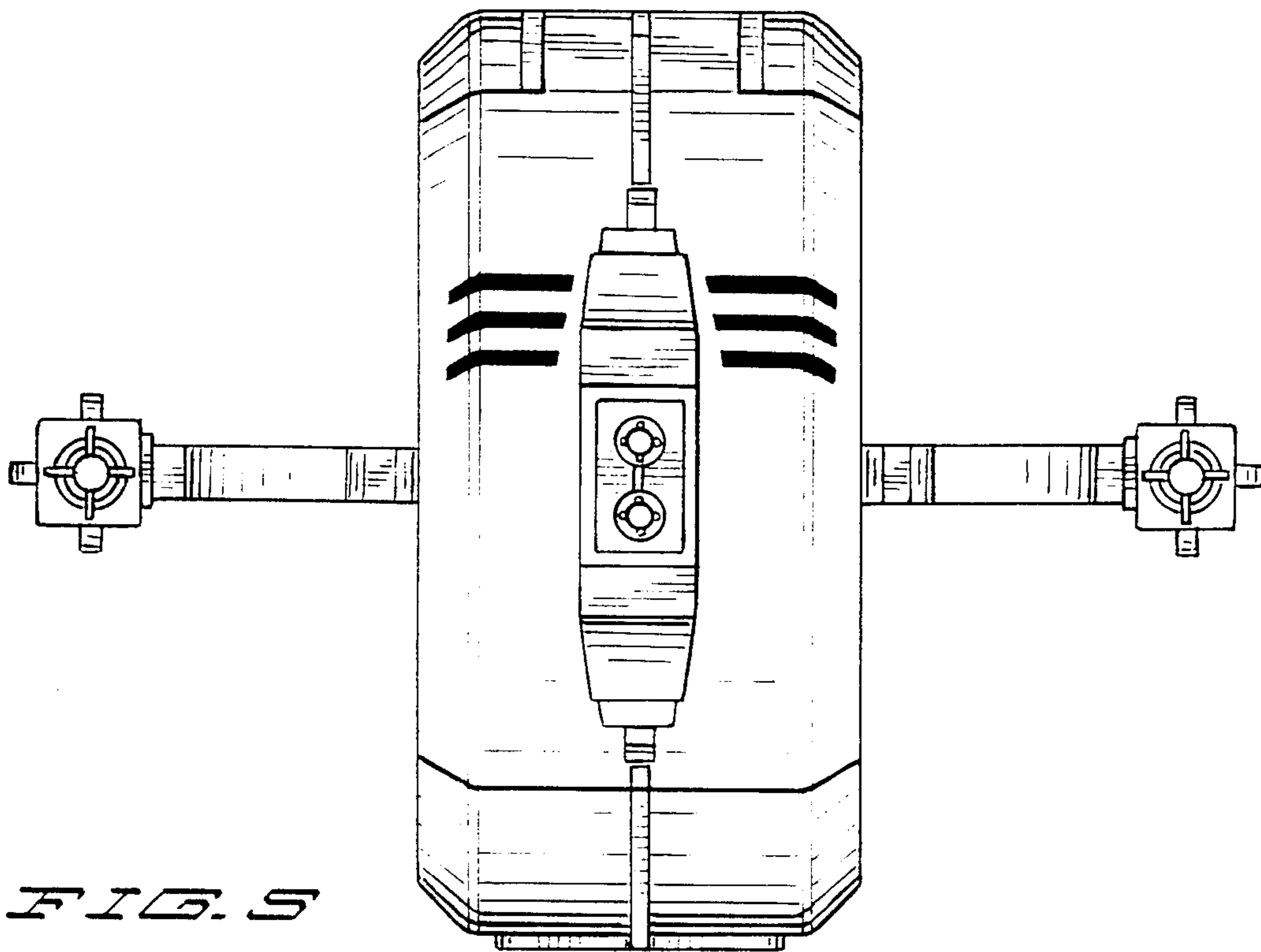


FIG. 5

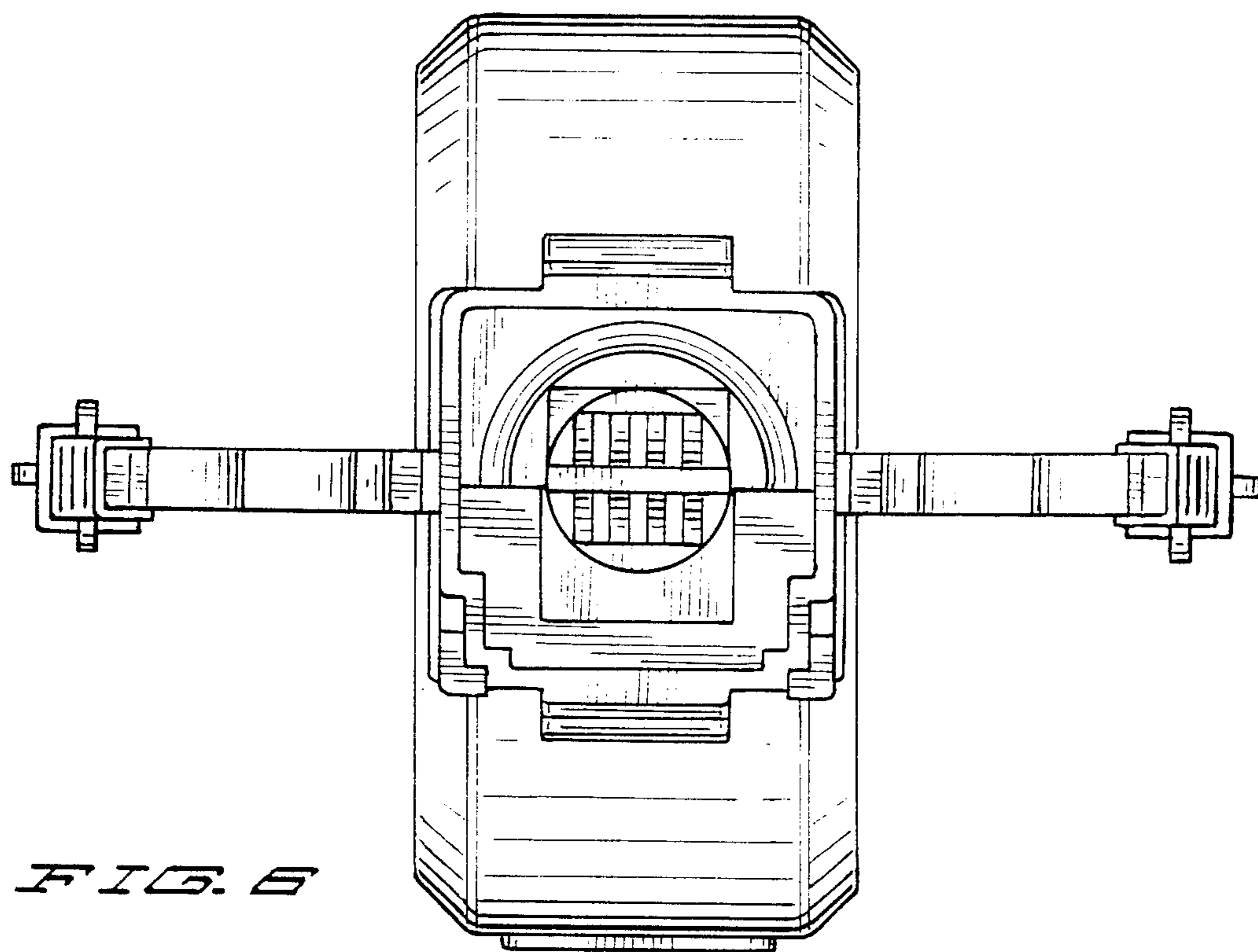


FIG. 6

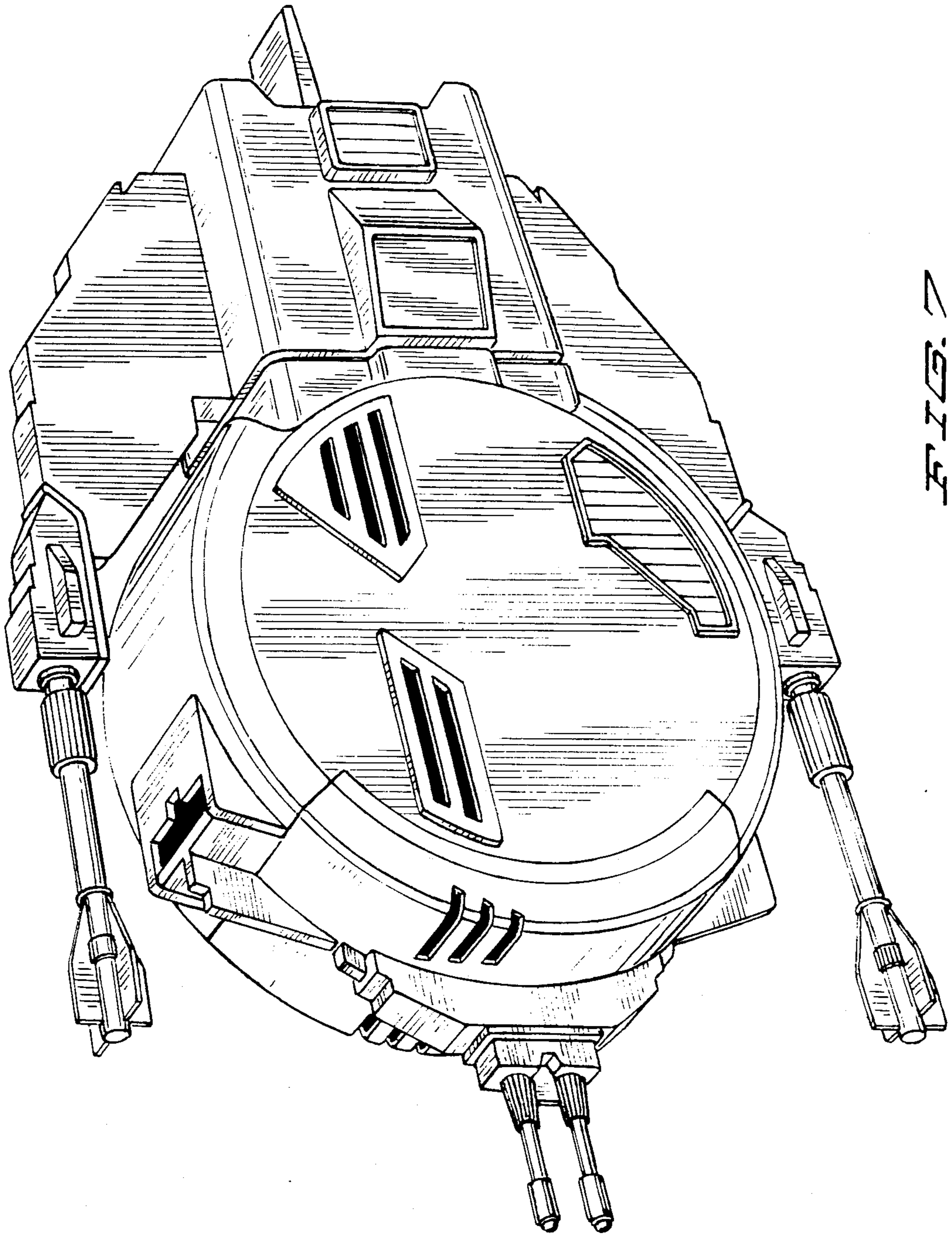


FIG. 7