

[54] TOY VEHICLE

[75] Inventor: Mark D. Boudreaux, Cincinnati, Ohio

[73] Assignee: CPG Products Corp., Minneapolis, Minn.

[\*\*] Term: 14 Years

[21] Appl. No.: 478,968

[22] Filed: Mar. 25, 1983

[52] U.S. Cl. .... D21/87; D21/128

[58] Field of Search ..... D21/82, 87, 88, 89, D21/90, 124, 128; D12/319, 320, 321; 446/71, 72, 73, 34, 52, 56, 61, 66

[56] References Cited

U.S. PATENT DOCUMENTS

- D. 219,042 10/1970 King et al. .... D21/87
- D. 220,983 6/1971 Webb et al. .... D12/320
- D. 263,487 3/1982 LaCrone et al. .... D21/87

- D. 267,025 11/1982 Lucas et al. .... D21/87
- D. 274,175 6/1984 Boudreaux ..... D21/87

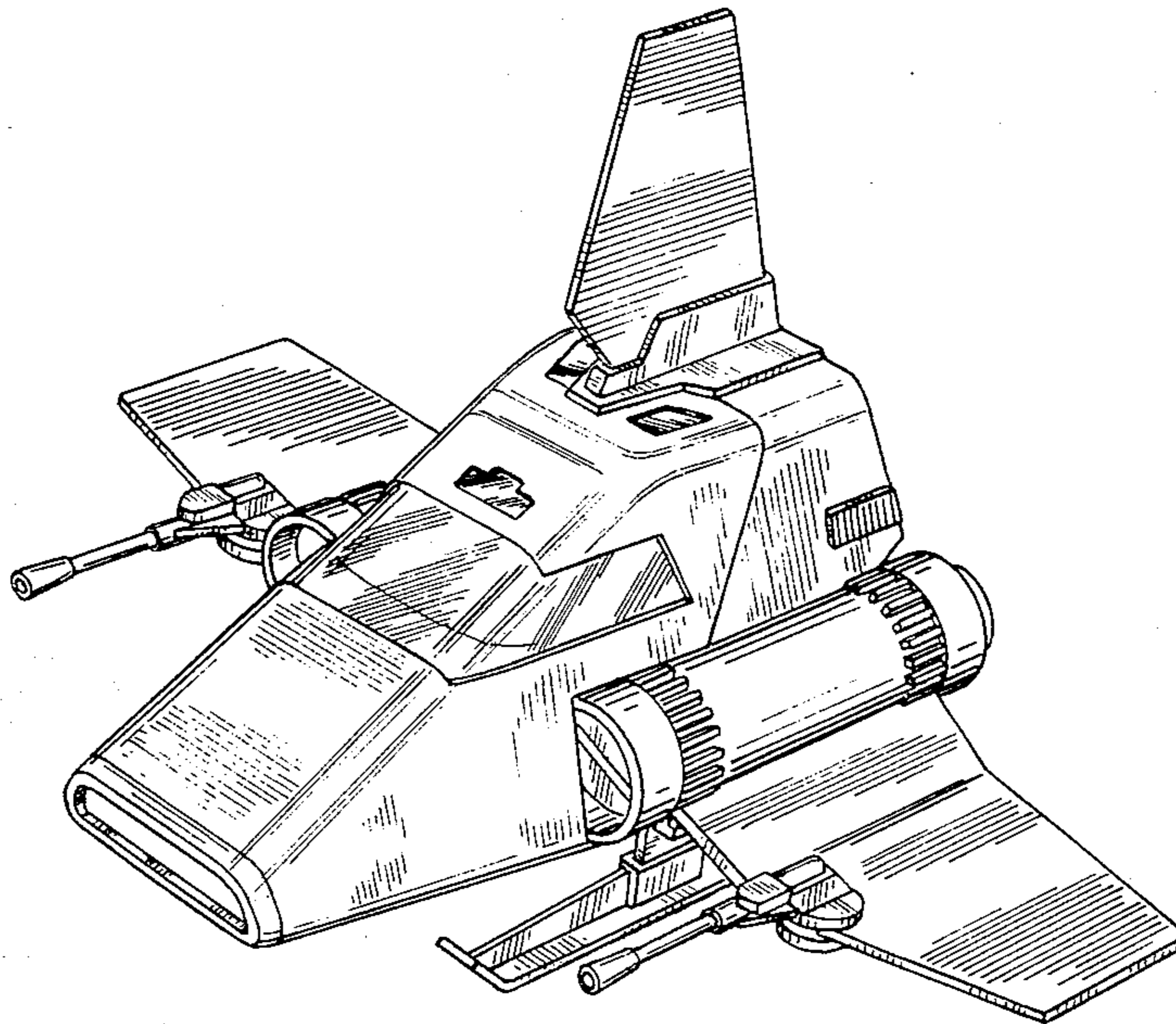
Primary Examiner—Charles A. Rademaker  
Attorney, Agent, or Firm—L. MeRoy Lillehaugen; Gene O. Enockson

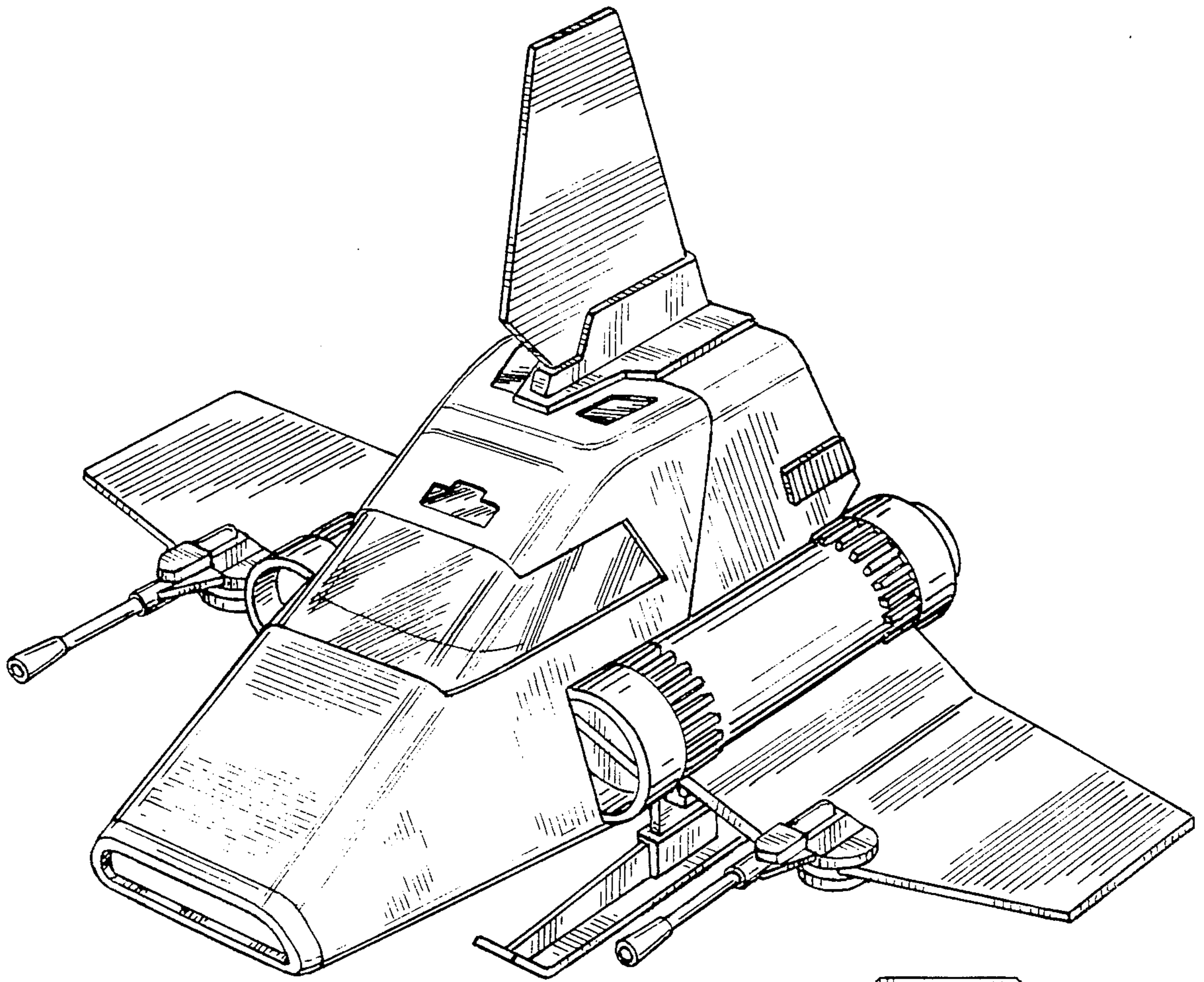
[57] CLAIM

The ornamental design for a toy vehicle, substantially as shown and described.

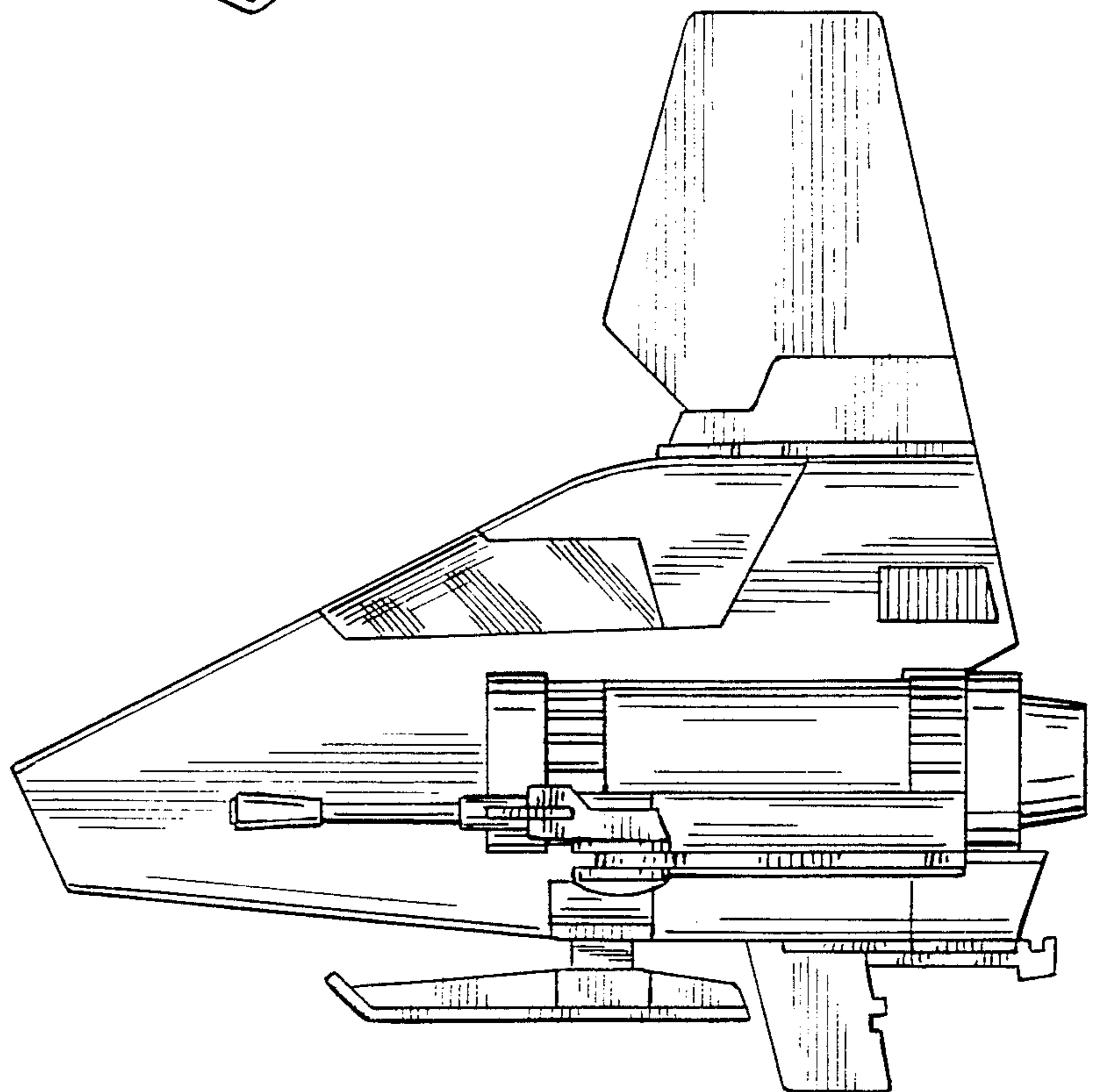
DESCRIPTION

FIG. 1 is a perspective view of a toy vehicle showing my new design;  
 FIG. 2 is a side elevational view thereof, the side opposite being substantially a mirror image thereof;  
 FIG. 3 is a top plan view thereof;  
 FIG. 4 is a front elevational view thereof;  
 FIG. 5 is a rear elevational view thereof;  
 FIG. 6 is a bottom plan view thereof; and  
 FIG. 7 is a perspective view of the toy vehicle which is similar to FIG. 1, but showing the vehicle in a slightly different condition.





*FIG. 1*



*FIG. 2*

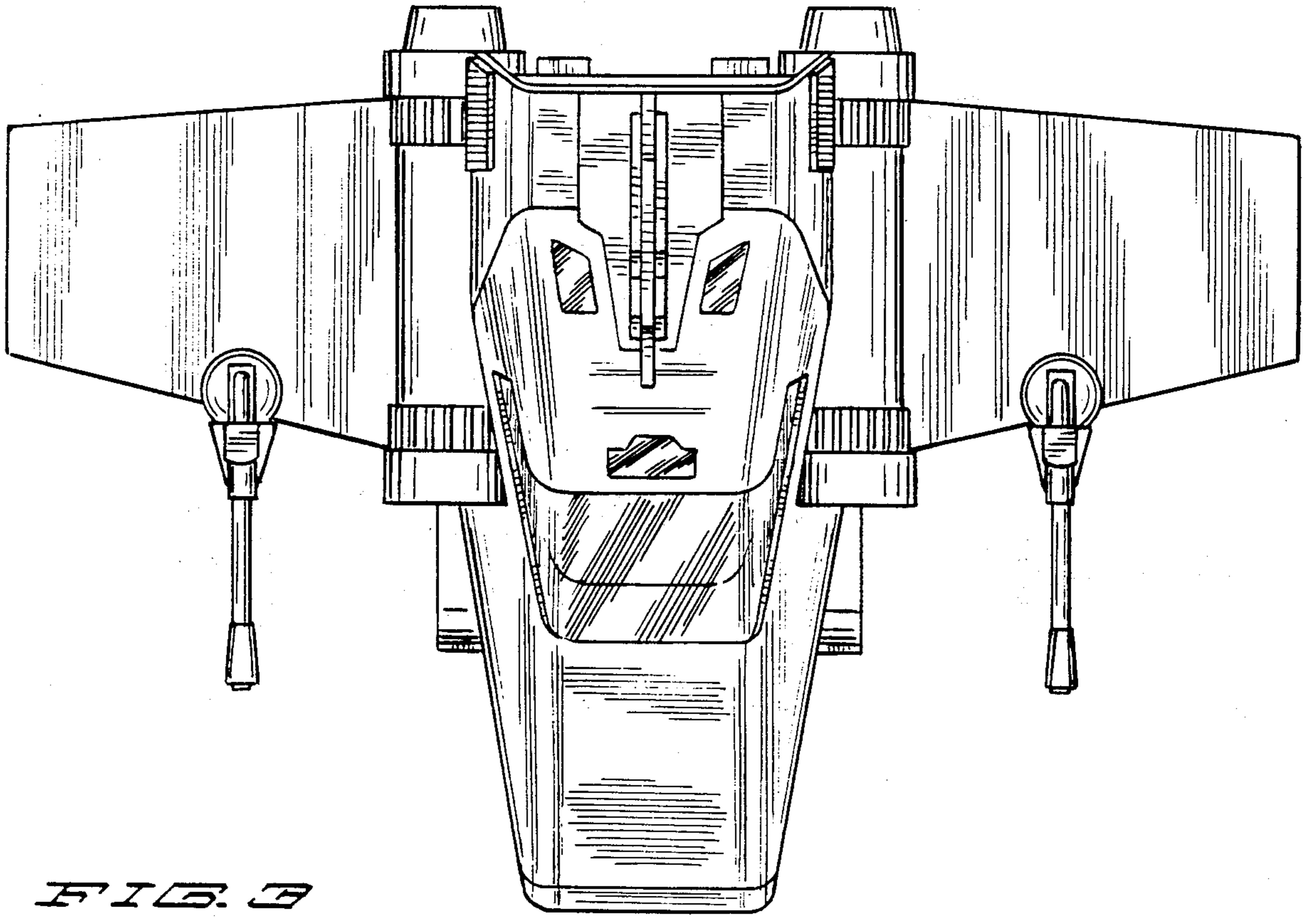


FIG. 3

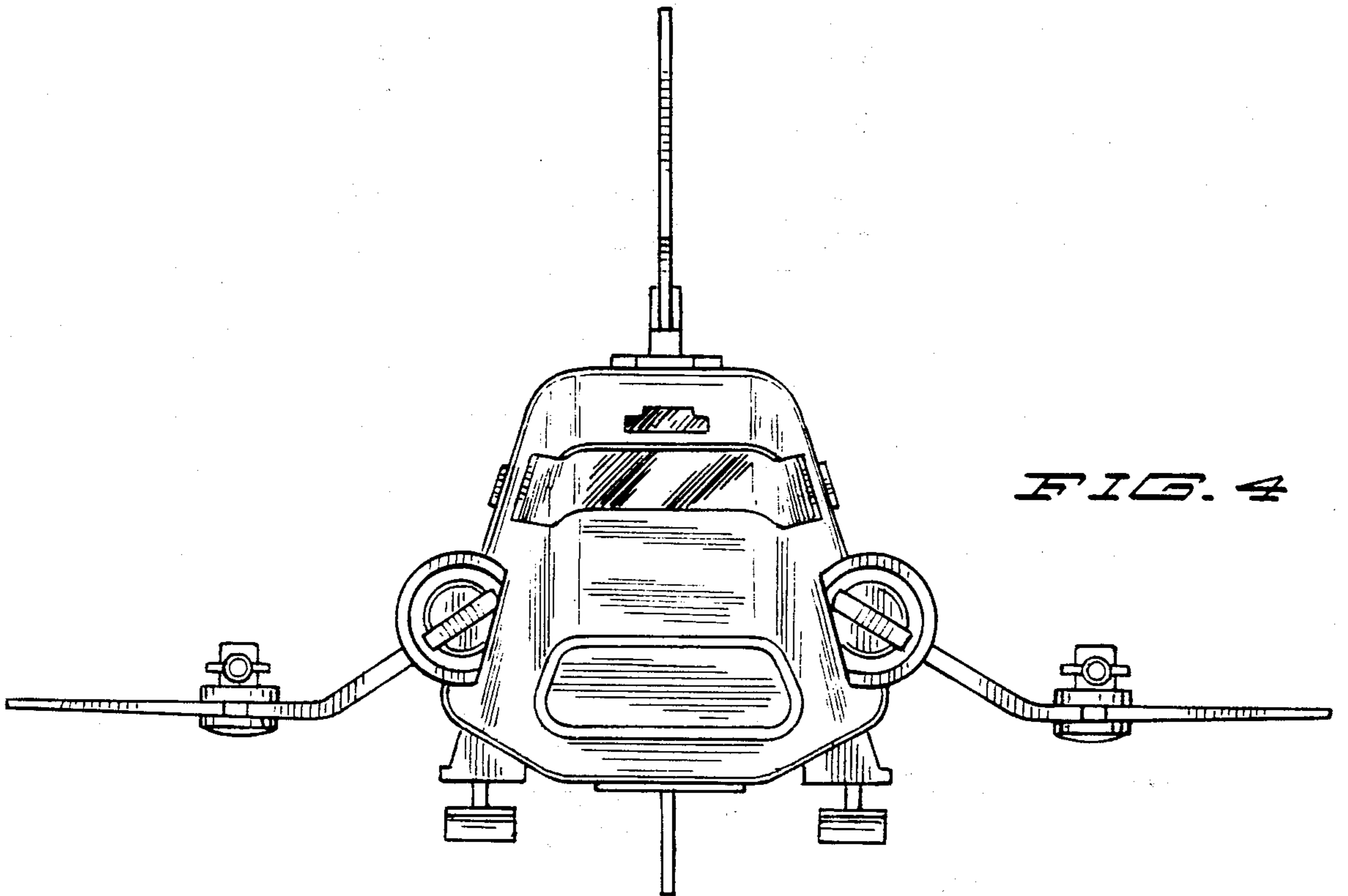
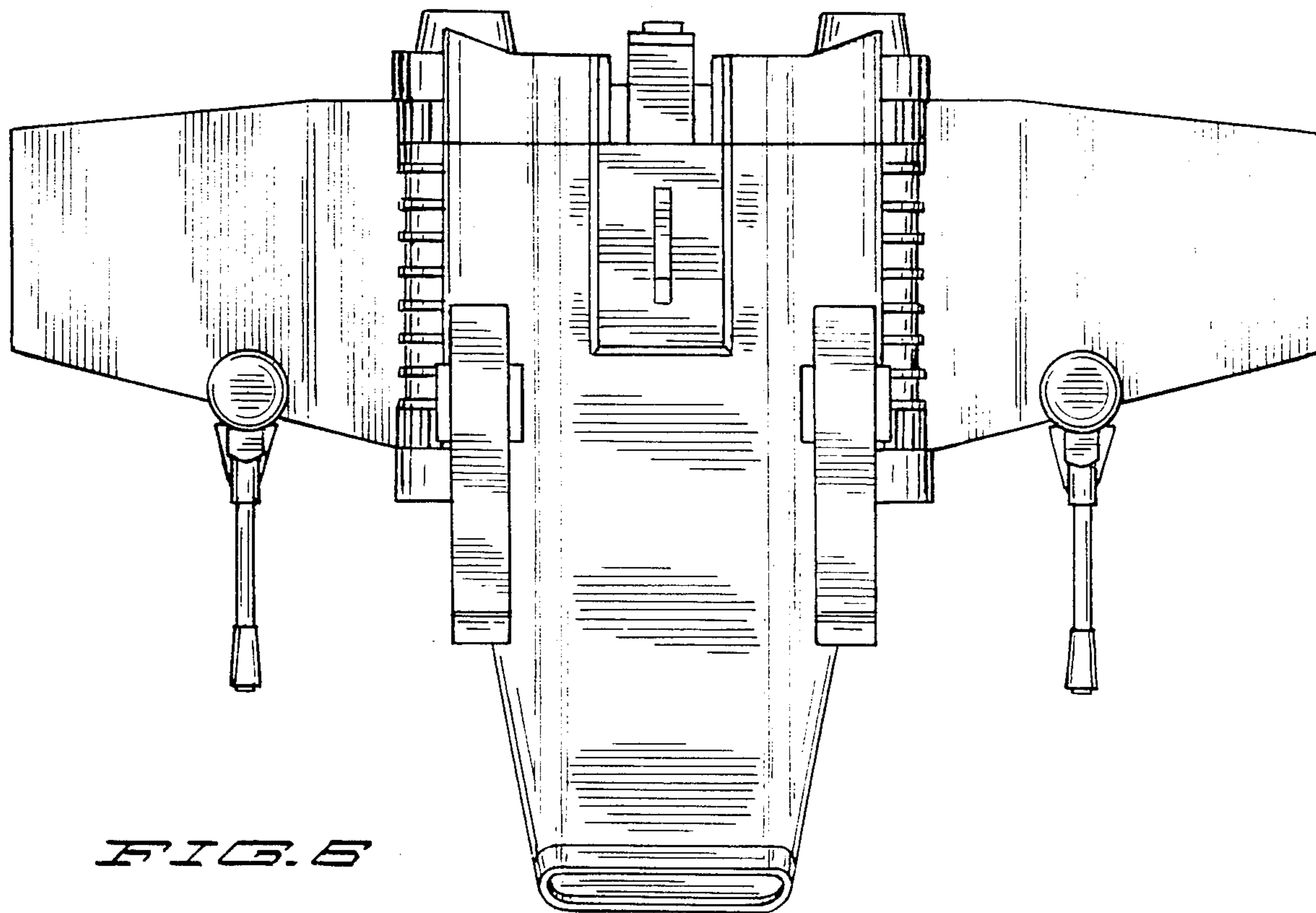
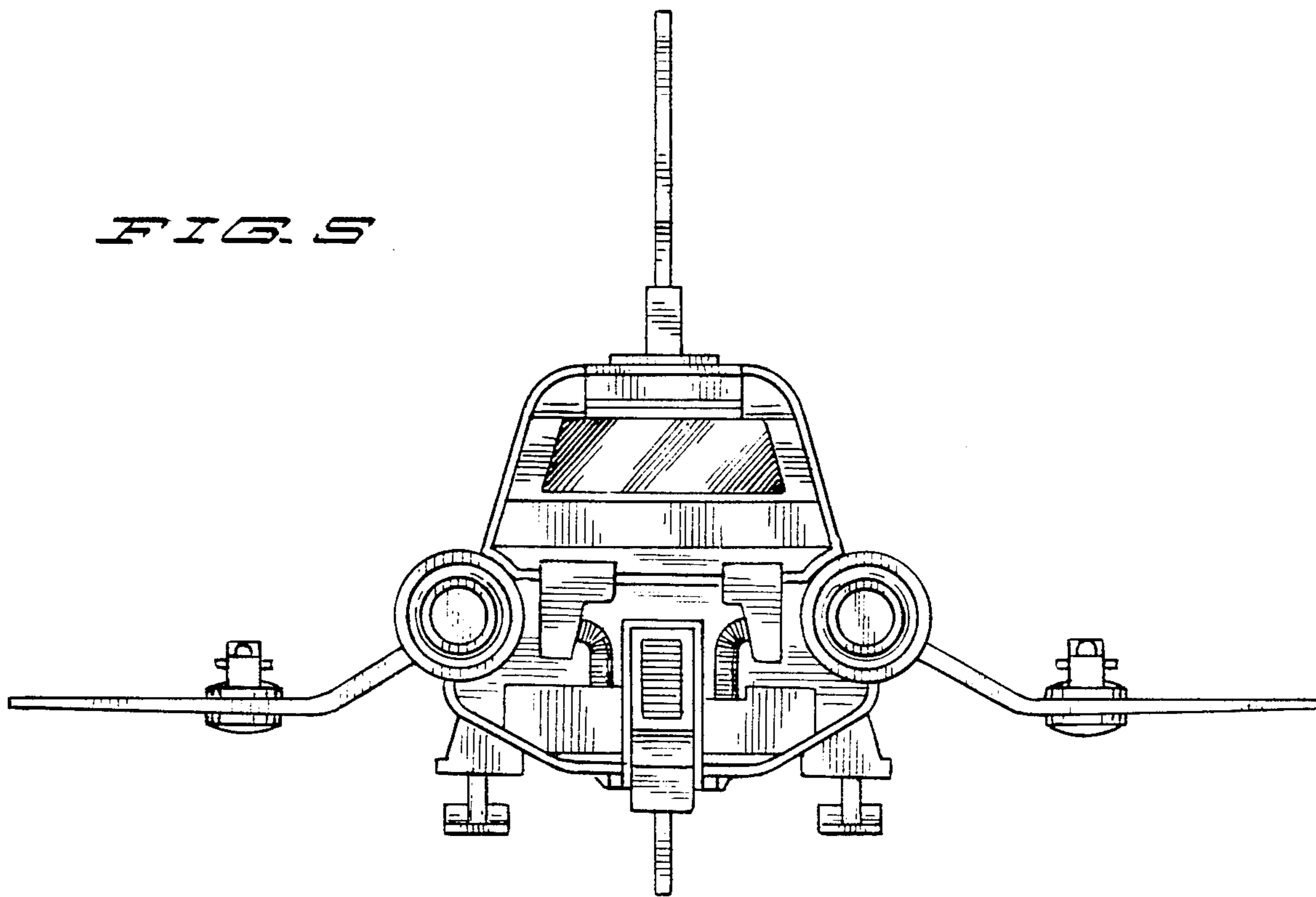
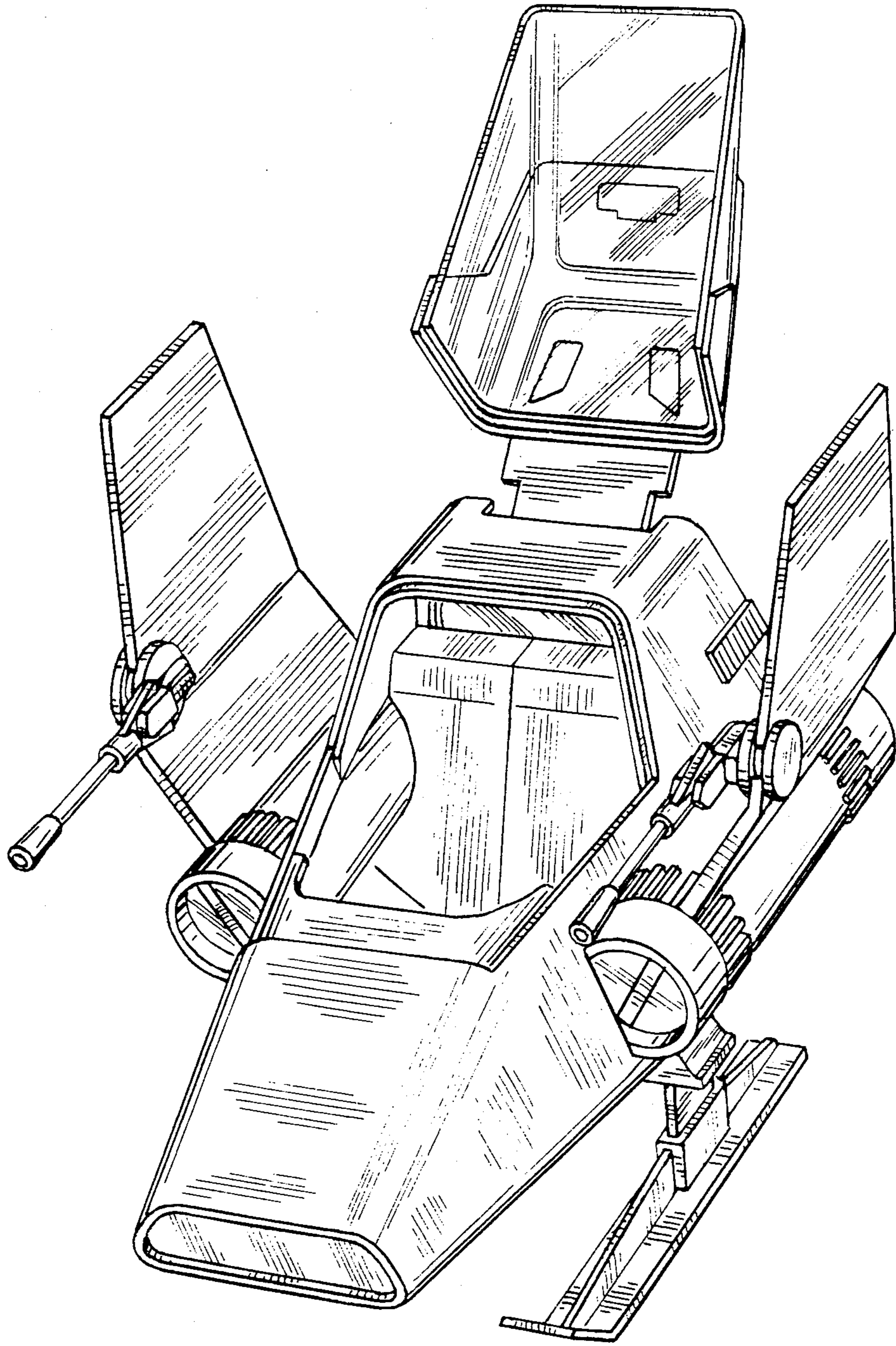


FIG. 4

*FIG. 5*



*FIG. 6*



*FIG. 7*